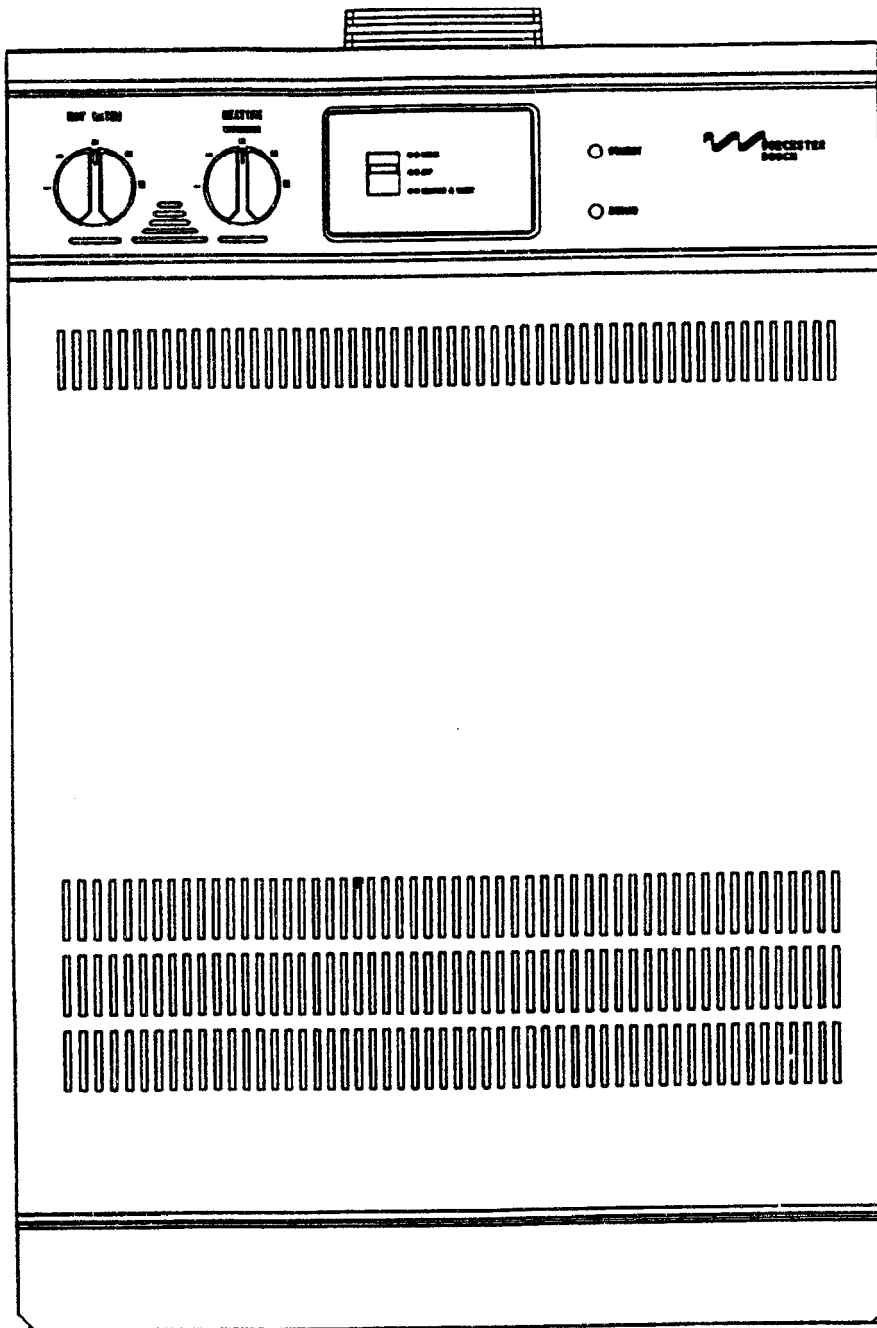


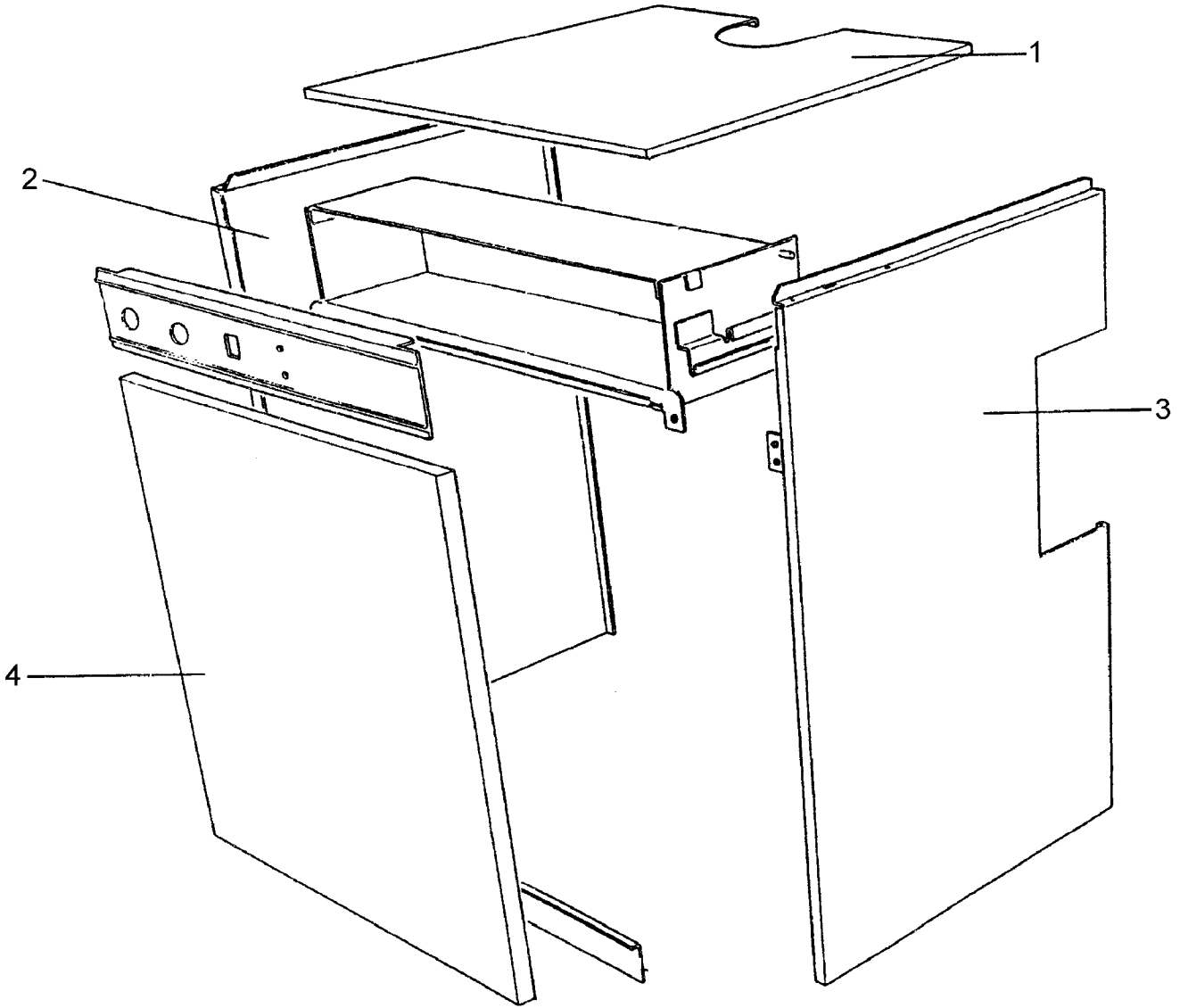
HIFLO400 OF



- 1 Casing
- 2 Superstructure & Heat Exchanger
- 3 Pump & Hydraulic Assy (A)
- 4 Pump & Hydraulic Assy (B)
- 5 Tank & Expansion Vessel
- 6 Electrical Box Assy
- 9 Additional Spare Parts

6720900117.AA

Spare parts list



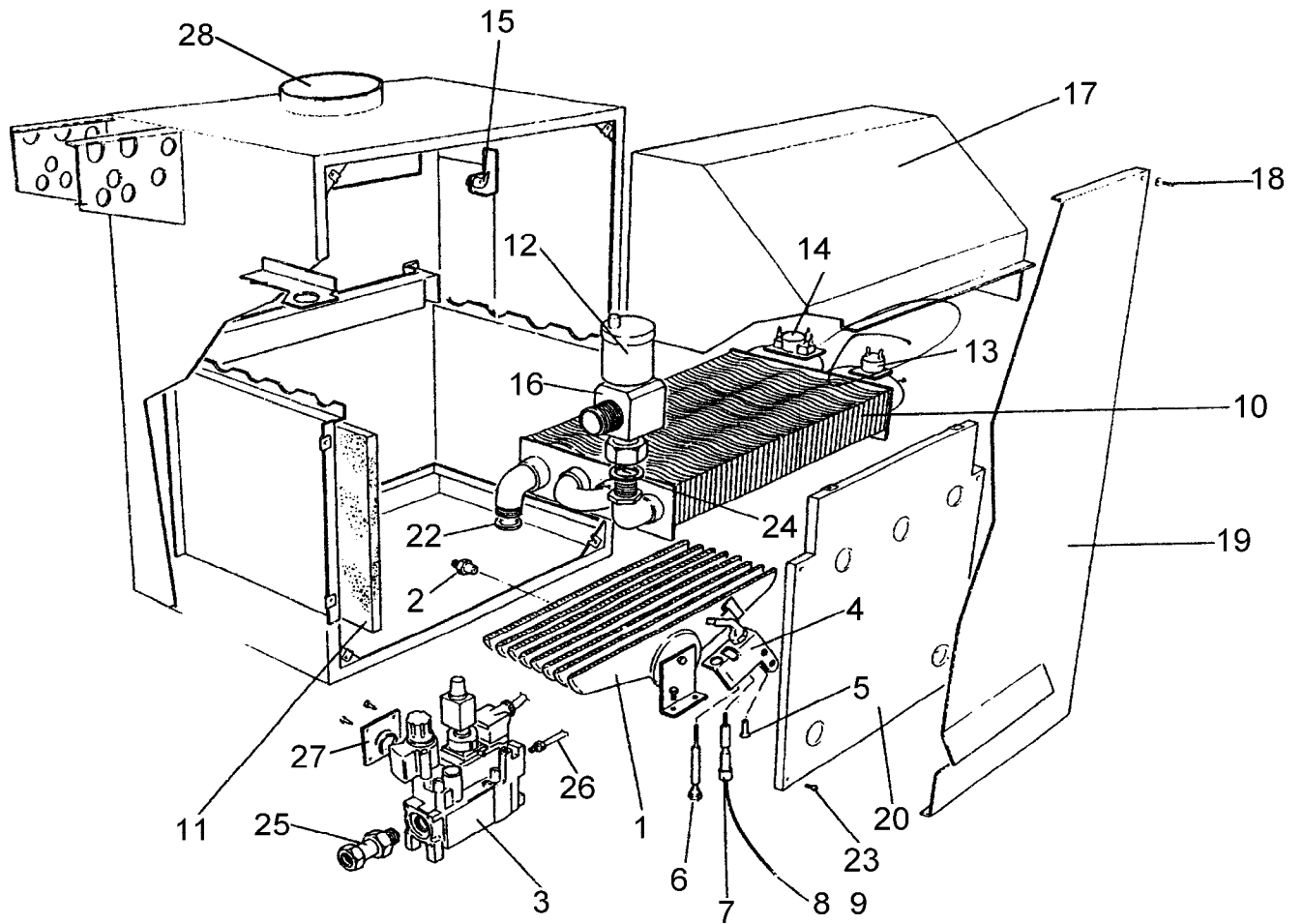
6720900118.AA

Casing
D

400 OSN NG 400 OSP LPG

1

Spare parts list



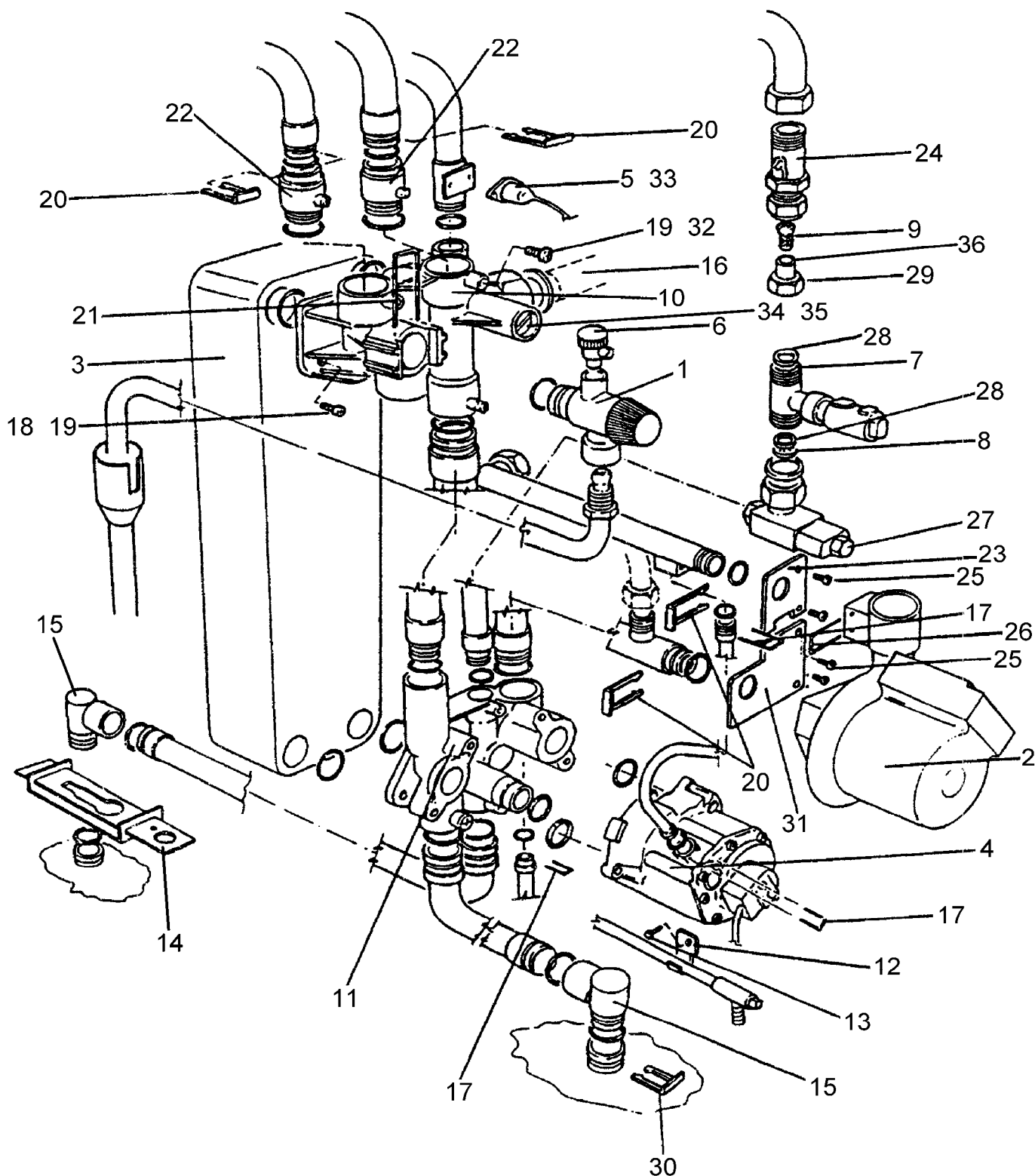
6720900119.AA

Superstructure / Heat exchanger
D

400 OSN NG 400 OSP LPG

2

Spare parts list



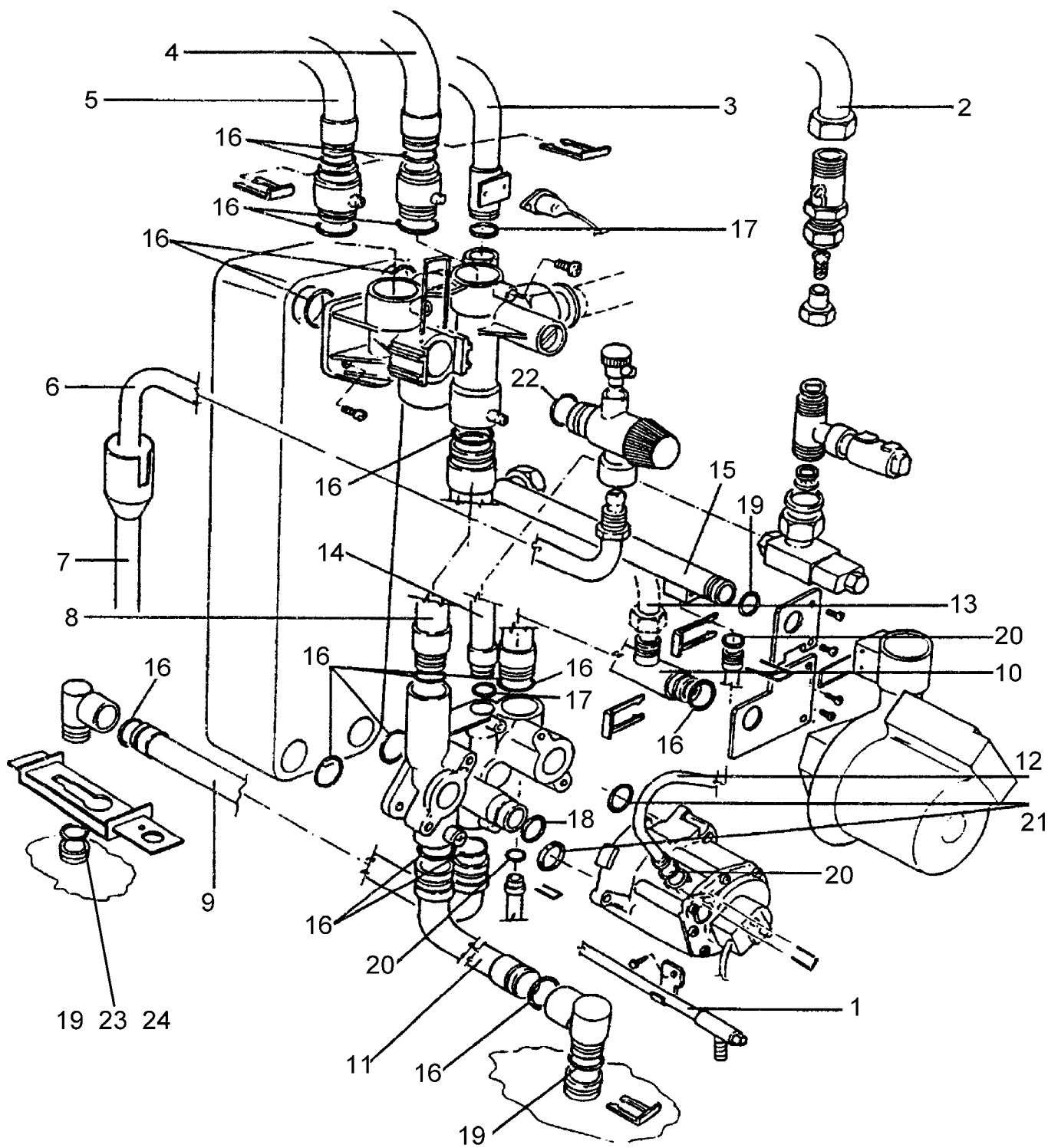
6720900105.AA

Pump / Hydraulic assy (A)
D

400 OSN NG 400 OSP LPG

3

Spare parts list



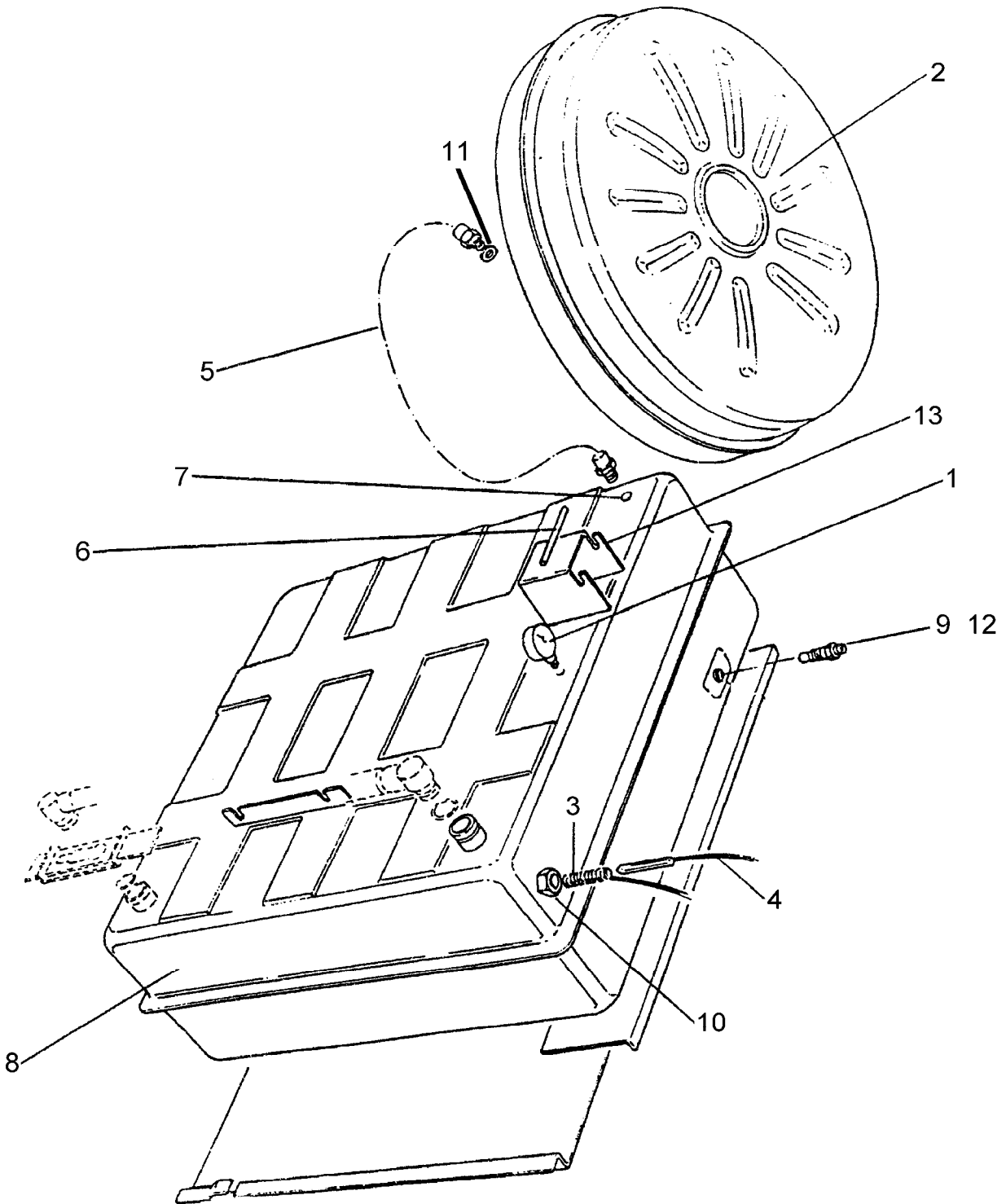
6720900106.AA

Pump / Hydraulic assy (B)
D

400 OSN NG 400 OSP LPG

4

Spare parts list



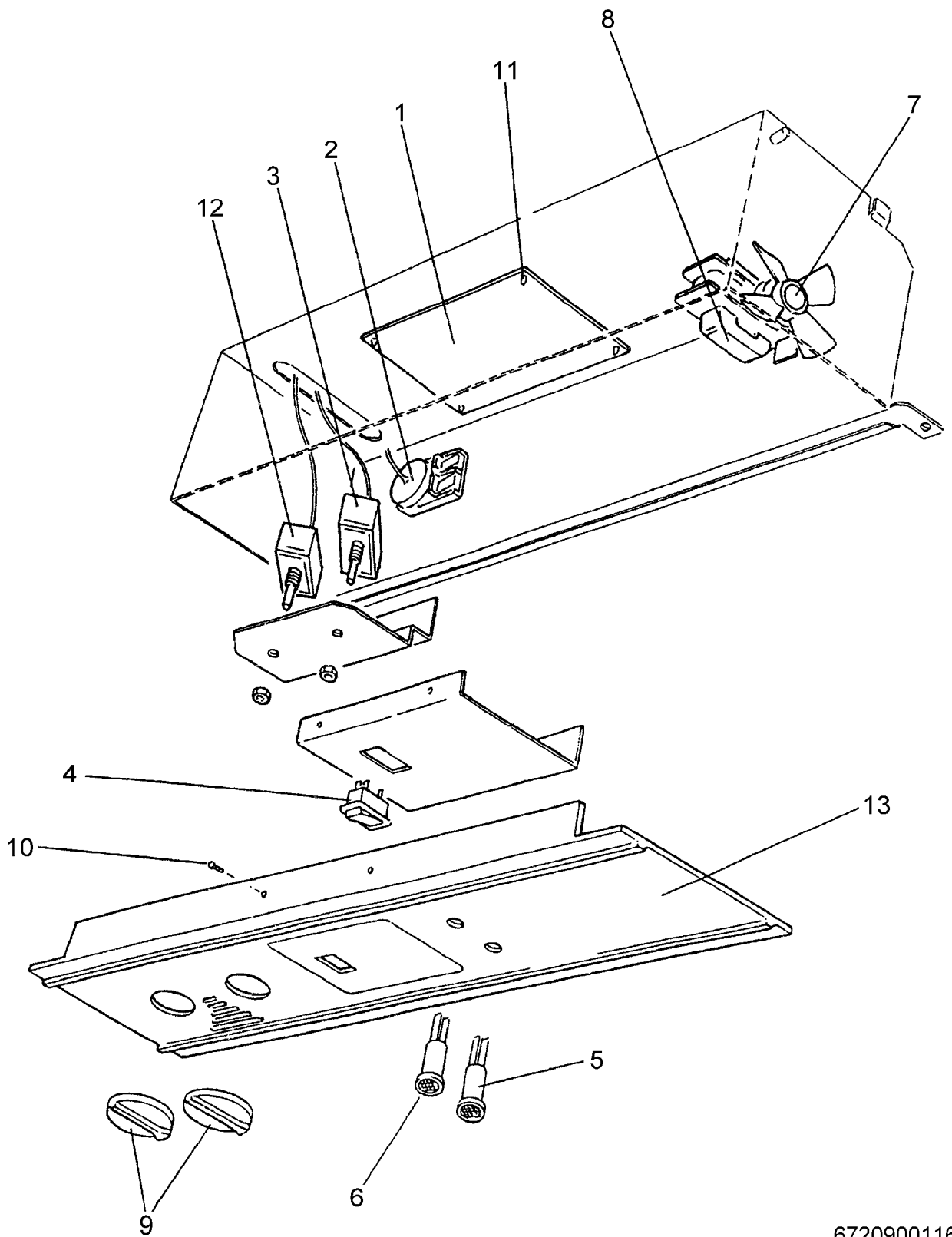
6720900120.AA

Tank & Expansion Vessel
D

400 OSN NG 400 OSP LPG

5

Spare parts list



6720900116.AA

Electrical Box Assembly
D

400 OSN NG 400 OSP LPG

6

Pos	description	S-Nr	ordering no.	PG	gas type	400 OSN NG	400 OSP LPG														remarks
1	400-pcb replacement kit		7 716 192 237 0			■	■														AKT,AKU,AKR,AKV,AKW
1	Pump overrun board		8 716 146 312 0			■	■														Version code: All Others
2	T/stat - ranco lm7-p5079 (bba)		8 716 142 338 0			■	■														
3	T/stat - ranco k36-p1332 (ch)		8 716 142 341 0			■	■														
4	Switch arrow200400e839 aa 3pos		8 716 146 106 0			■	■														
5	Lamp green c/w connectors		8 716 120 862 0			■	■														
6	Lamp amber c/w connectors		8 716 120 861 0			■	■														
7	Impeller		8 716 146 423 0			■	■														
8	Cooling fan assembly		8 716 121 318 0			■	■														
9	Knob control green-grey		8 716 141 087 0			■	■														
10	Screw m4x10mm taptite Scr zc pl p/h		2 914 411 408 0			■	■														
11	Pcb black nylon pillars		8 716 141 060 0			■	■														
12	T/stat - ranco k36-p1333 (hw)		8 716 142 340 0			■	■														
13	Facia assembly		8 716 121 316 0			■	■														
	Harness - gas valve (main)		8 716 120 814 0			■	■														
	Harness - pump over run stat		8 716 120 816 0			■	■														
	Harness 3way switch		8 716 120 910 0			■	■														
	Harness gas valve hi/low		8 716 120 998 0			■	■														
	Harness - high limit stat		8 716 121 241 0			■	■														
	Harness - hot water stat		8 716 121 307 0			■	■														
	Harness - cent. heat stat		8 716 121 308 0			■	■														
	Harness - bba h.limit stat		8 716 121 309 0			■	■														
	Harn mains lead(highflow 400)		8 716 121 310 0			■	■														
	Harness - earth to cHassis		8 716 121 313 0			■	■														
	Harness - cooling fan c/w impeller		8 716 121 319 0			■	■														
	Harness - link		8 716 121 320 0			■	■														
	Grommet nylon open-close		8 716 141 050 0	09		■	■														
	Cable tie 2.5mm x 100mm		8 716 141 075 0			■	■														
	Cord strain relief Bush		8 716 141 102 0	14		■	■														
	Strain relief bush 300-1141		8 716 141 104 0			■	■														
400 OSN NG 400 OSP LPG			Electrical Box Assembly D																	6	

**ADDITIONAL SPARE PARTS
FOR APPLIANCE
NOT DRAWN**

9099

6720900999.AA

Additional Spare Part
D

400 OSN NG 400 OSP LPG

9

List of translations

Pos				
1				
2				
3				
4				
2				
1				
2				
3				
4				
5				
6				
7				
8				
9				
10				
11				
12				
13				
14				
15				
16				
17				
18				
19				
20				
22				
23				
24				
25				
26				
27				
28				
3				
1				
2				
3				
4				
5				
6				
7				
8				
9				
10				
11				
12				
13				
14				
15				
Pos				
16				
17				
18				
19				
20				
21				

List of translations

22				
23				
24				
25				
26				
27				
28				
29				
30				
31				
32				
33				
34				
35				
36				
4				
1				
2				
3				
4				
5				
6				
7				
8				
9				
10				
11				
12				
13				
14				
15				
16				
17				
18				
19				
20				
21				
22				
23				
24				
5				
1				
2				
Pos				
3				
4				
5				
6				
7				
8				
9				
10				
11				
12				
13				

Types of appliances

Appliance	ordering no.	Country remarks
HIFLO400-OSN-GB NAT GAS COMBI	7 716 120 004	United Kingdom
HIFLO400-OSP-GB LPG COMBI	7 716 120 005	United Kingdom

