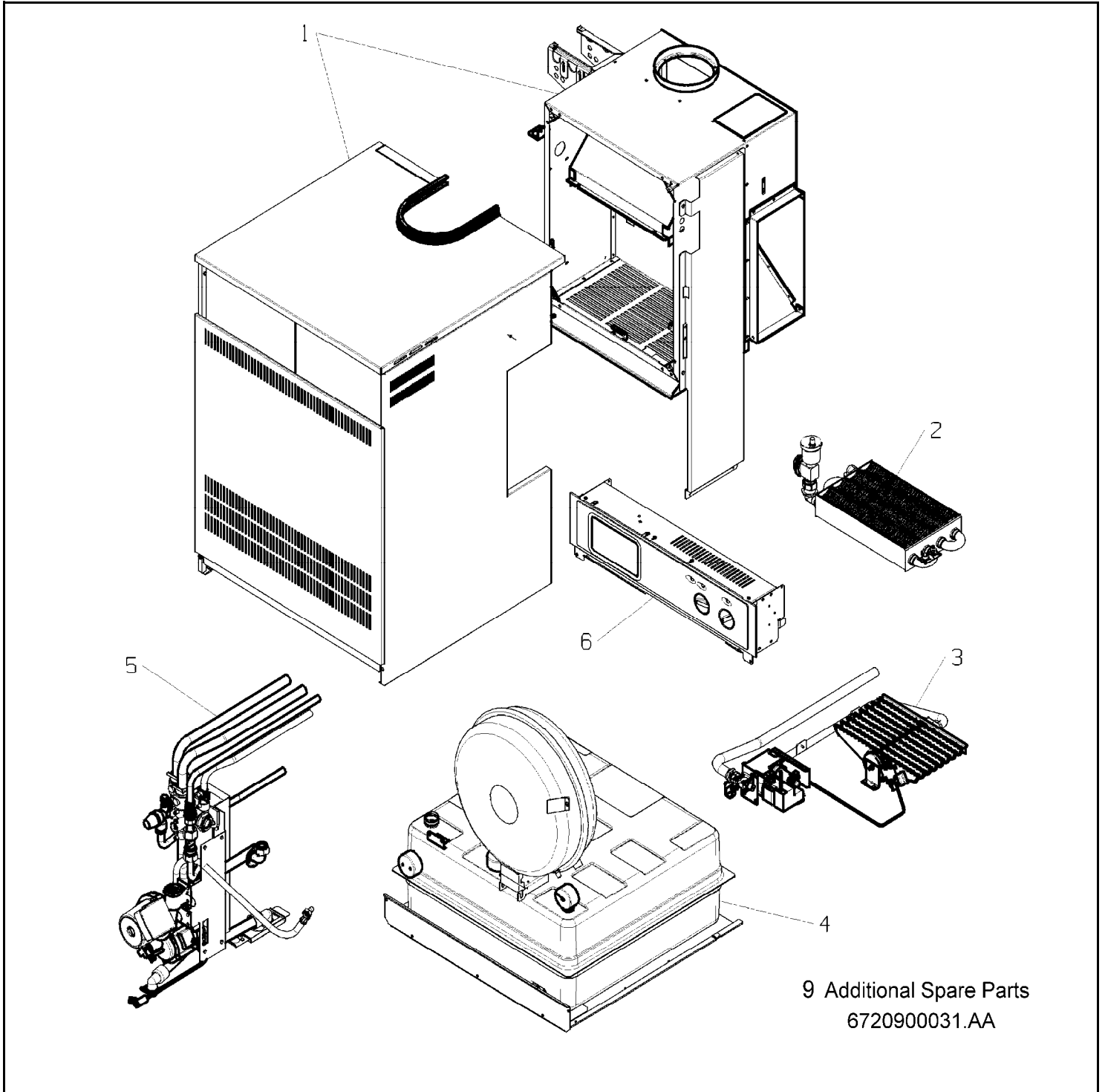


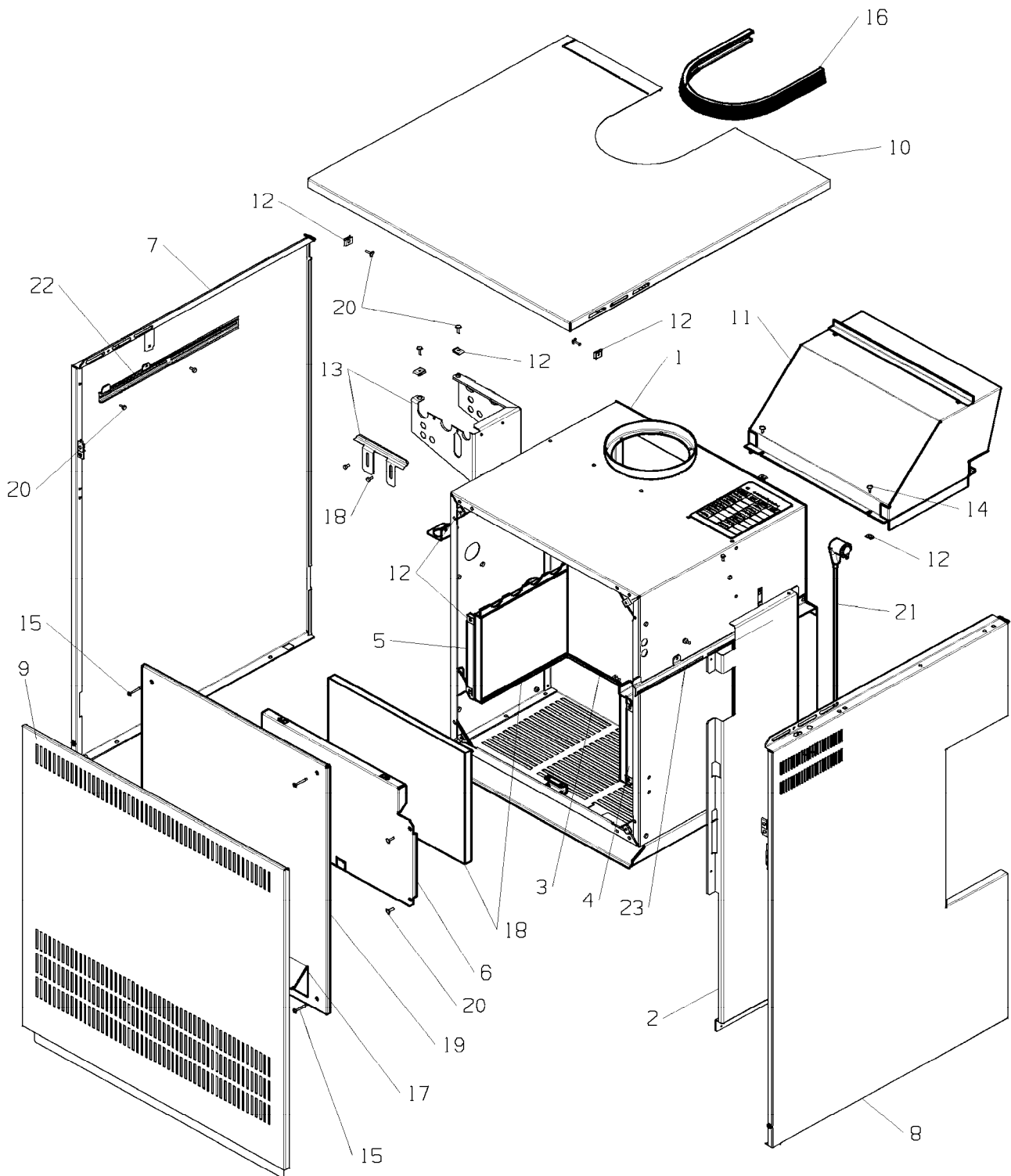
# HIFLO400 ELECTRONIC OF







# Spare parts list



6720900032.AA

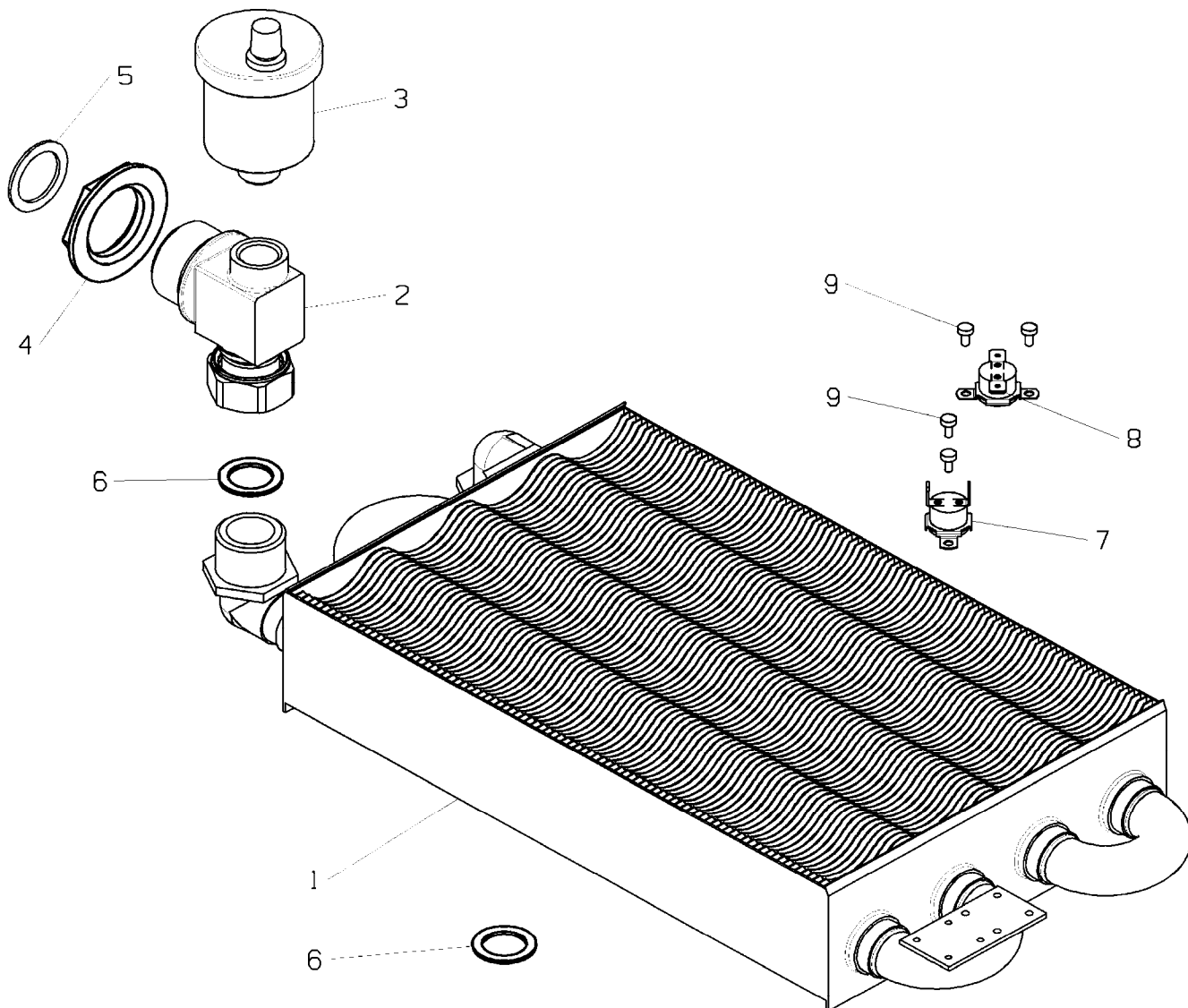
Superstructure / Case  
D

400E OSN

1



Spare parts list



6720900022.AA

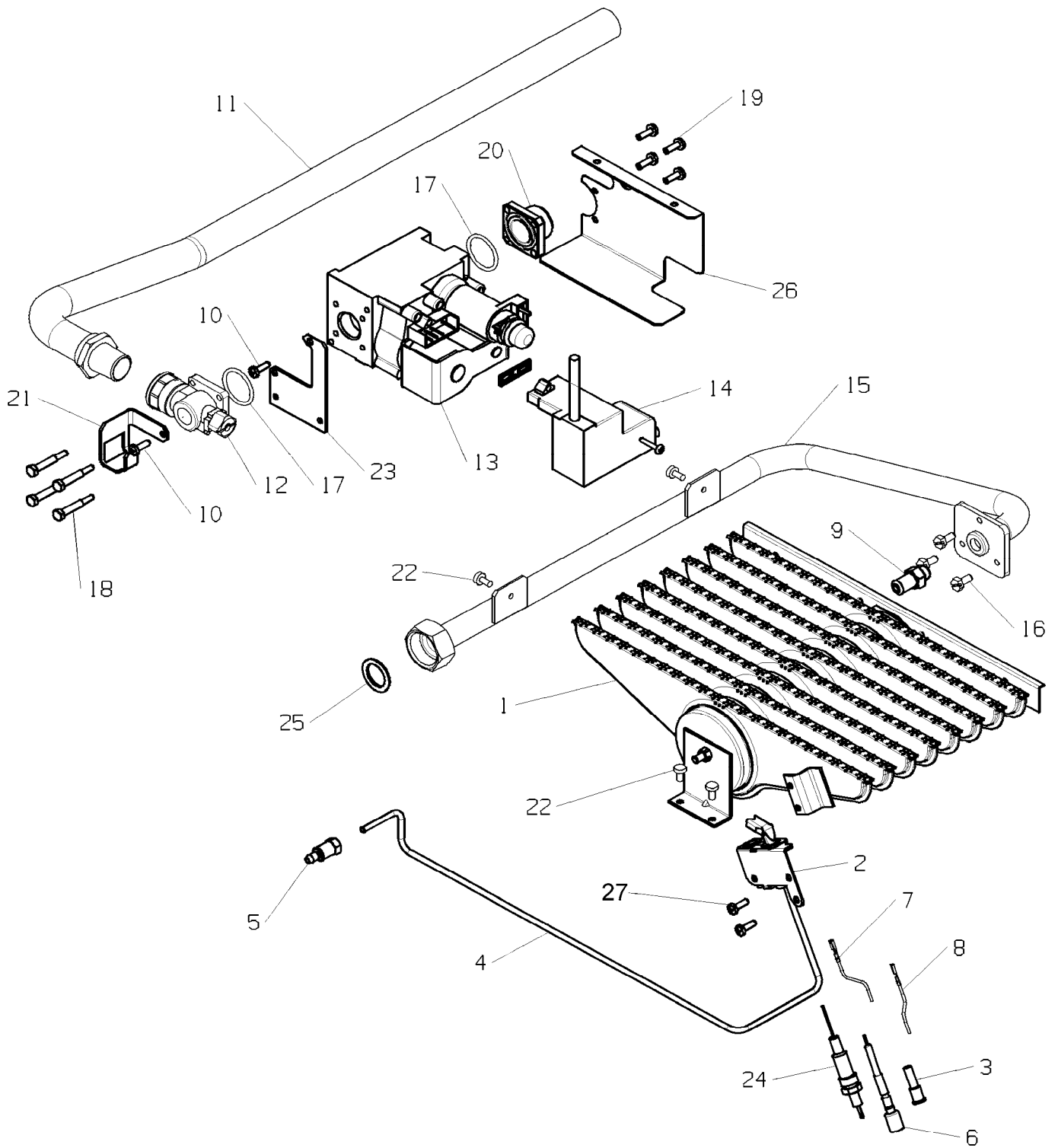
Heat exchanger  
D

**2**

400E OSN

Pos	description	S-Nr	ordering no.	PG	gas type	400E OSN															remarks
1	Gas to water heat exchanger of/bf		8 716 102 311 0		23	■															
2	Air vent adaptor assembly		8 716 121 079 0		23	■															
3	Air-vent automatic 3/8 (ss kit)		8 716 140 500 0	35	23	■															
4	Flanged backnut 1 bsp		8 716 140 293 0		23	■															
5	washer 30.5x22.2x1.5		8 716 140 920 0	13	23	■															
6	Fibre washer 23.9 X 17.2 X 1.5 (10x)		8 710 103 043 0	12	23	■															
6	Washer 23.9 x 17.2 x 1.5 (X1)		8 716 115 674 0		23	■															
7	Safety temperature limiter		8 716 103 216 0		23	■															
8	Thermistor - sensor		8 716 142 319 0		23	■															
9	Screw m3x6mm zc pl p/h taptite		2 914 411 411 0	18	23	■															
400E OSN			Heat exchanger D																	2	

# Spare parts list



6720900033.AA

Gas valve / Burner  
D

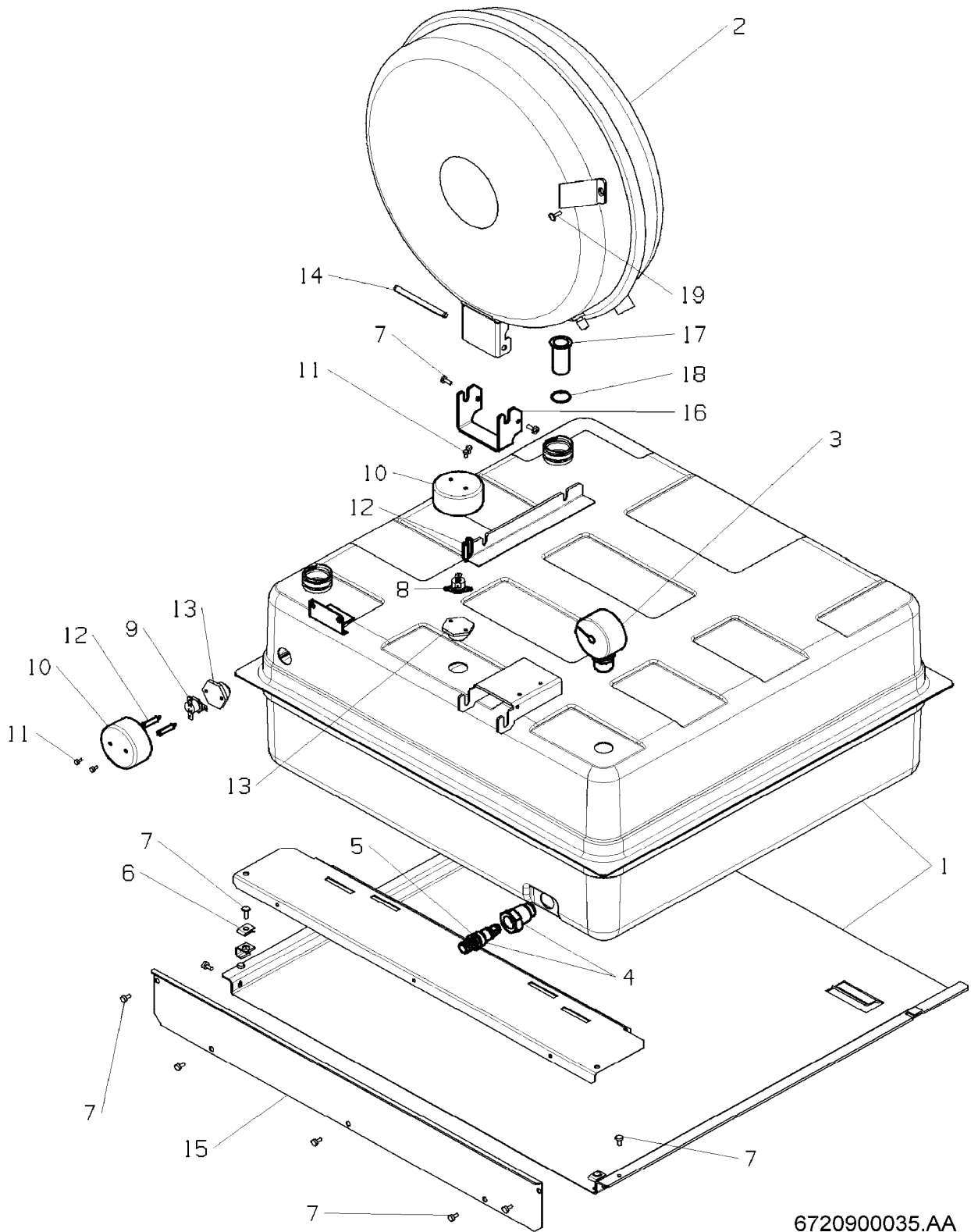
400E OSN

3





# Spare parts list



6720900035.AA

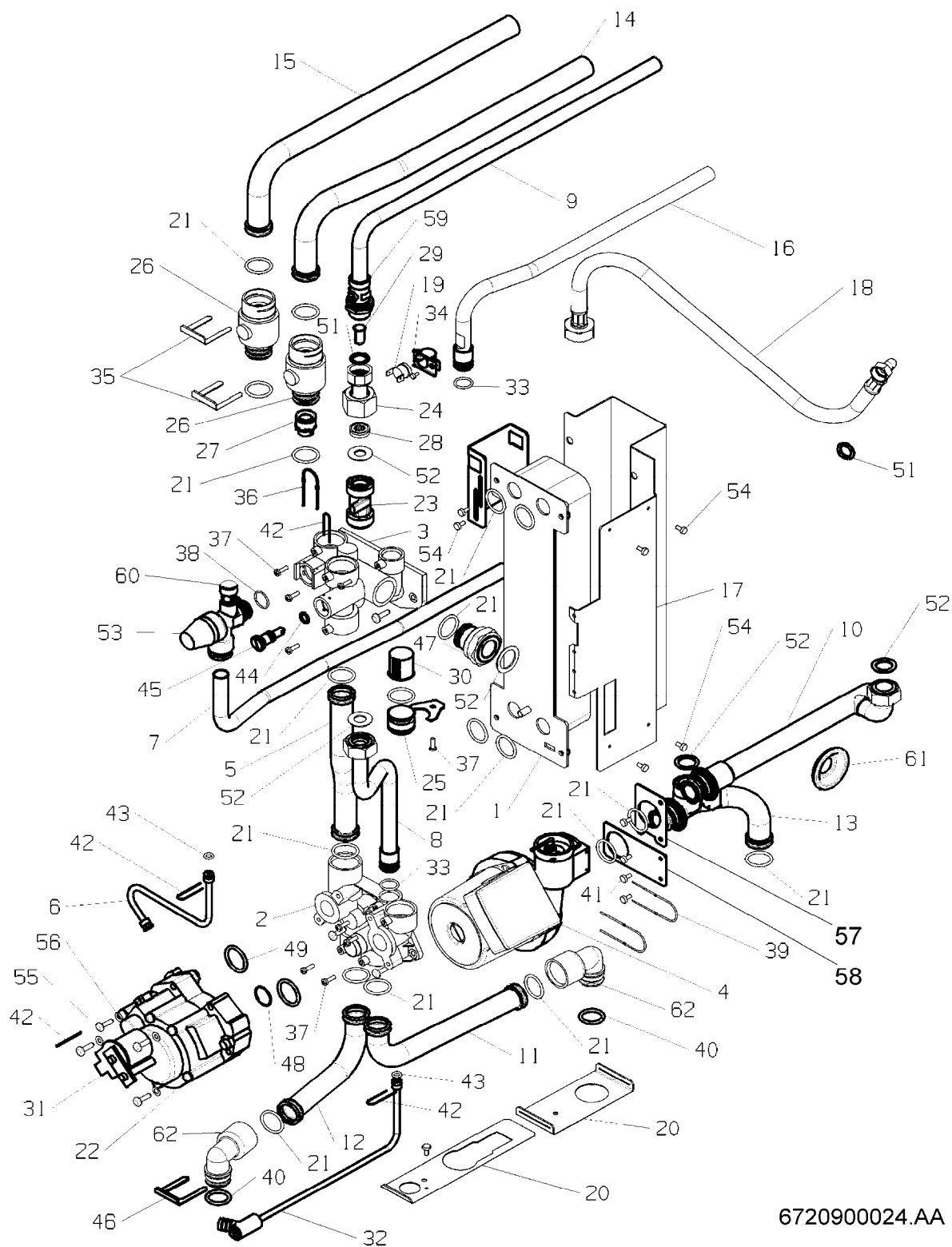
Tank / Expansion vessel  
D

400E OSN

4

Pos	description	S-Nr	ordering no.	PG	gas type	400E OSN															remarks
1	Tank & base assembly		8 716 104 719 0		23	■															
2	Expansion vessel and Washers		8 716 142 507 0		23	■															
3	Pressure gauge - 50mm 4 bar		8 716 142 325 0		23	■															
4	Drain valve spares kit		7 716 192 223 0		23	■															
5	Drain valve		8 716 141 074 0		23	■															
6	Nut Captive No:8		8 716 148 204 0	16	23	■															
7	Screw m4x8mm taptite zc pl p/h		2 914 411 412 0	03	23	■															
8	Overheat thermostat - heat bank		8 716 103 217 0		23	■															
9	Flow thermostat		8 716 770 425 0	28	23	■															
10	Thermostat cover		8 716 102 987 0		23	■															
11	Screw m3x6mm zc pl p/h taptite		2 914 411 411 0	18	23	■															
12	Stud hex head 20mm		8 716 102 992 0		23	■															
13	Thermostat pocket		8 716 102 988 0		23	■															
14	Spring tension pin		8 716 148 344 0		23	■															
15	Lower front panel		8 716 100 585 0		23	■															
16	Expansion vessel bracket		8 716 104 753 0		23	■															
17	Dip tube		8 716 100 967 0		23	■															
18	O-Ring 1.60 x 18.10 id epdm		8 716 140 812 0	13	23	■															
19	Screw iso no 6b x 9.5 recessed		2 912 421 210 0	07	23	■															
	Tank insulation jacket		8 716 103 417 0		23	■															
400E OSN			Tank / Expansion vessel D																4		

Spare parts list



6720900024.AA

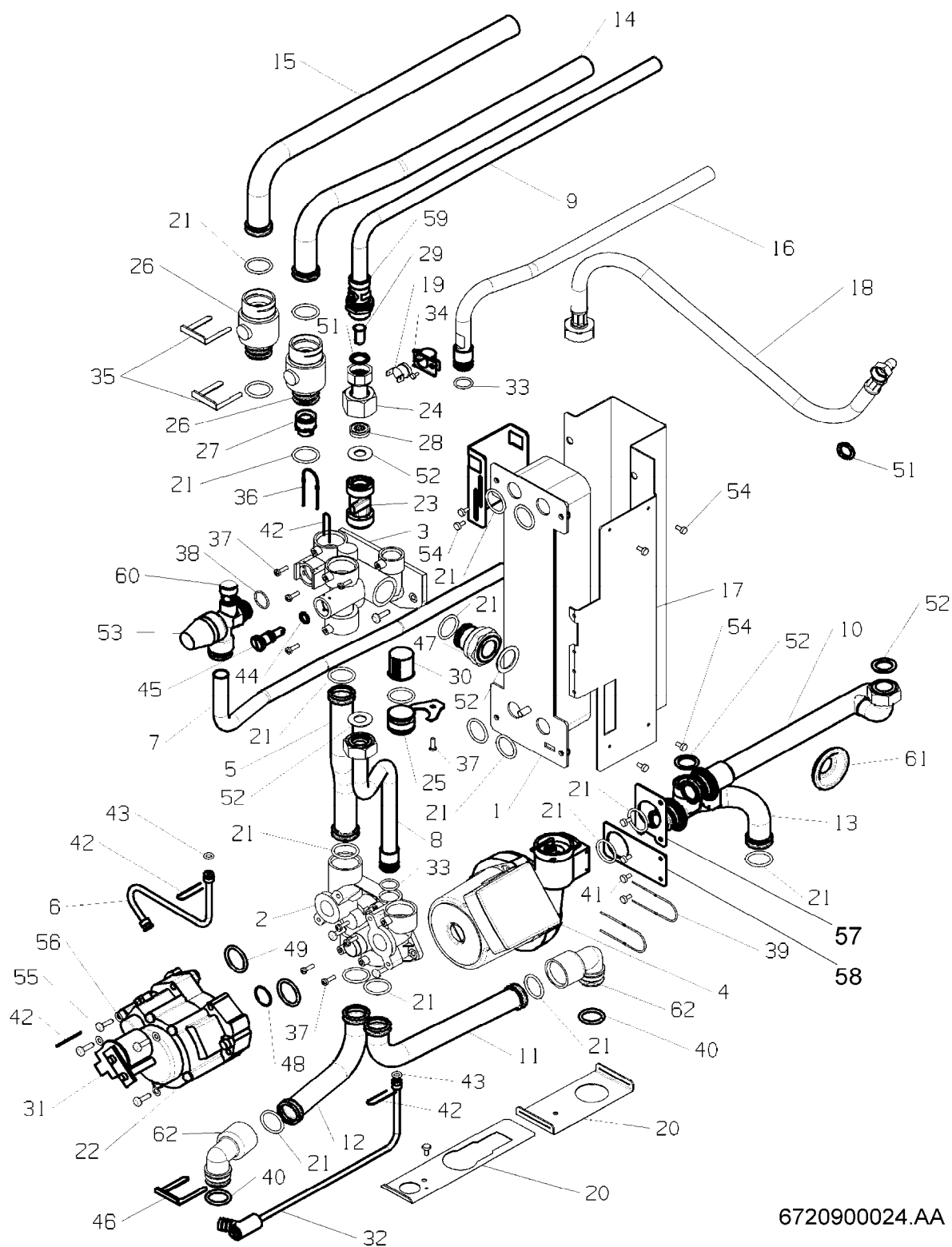
Pump / Hydraulic assy  
D

400E OSN

5

Pos	description	S-Nr	ordering no.	PG	gas type	400E OSN												remarks
1	Swep heat exchanger e8-18 ecp		8 716 142 904 0		23	■												
2	Bottom manifold		8 716 143 016 0		23	■												
3	Top manifold		8 716 143 017 0		23	■												
4	Standard 15/60 Pump Head		8 716 113 594 0		23	■												
4	Pump & O-Rings		8 716 143 103 0		23	■												
5	Pipe - central heat. ret.		8 716 100 690 0		23	■												
6	Pipe - 6mm pressure relief assy		8 716 120 743 0		23	■												
7	Pipe - pressure relief		8 716 103 011 0		23	■												
8	Domestic inlet assembly 15mm		8 716 103 026 0		23	■												
9	Pipe - domestic inlet of.		8 716 100 721 0		23	■												
10	Pipe - ret heat ex. to pump assy		8 716 120 771 0		23	■												
11	Pipe - tank return of		8 716 100 724 0		23	■												
12	Pipe - heat exch. return assy of		8 716 121 281 0		23	■												
13	Pipe - ret div.man. to pump assy		8 716 121 077 0		23	■												
14	Pipe - return of.		8 716 100 726 0		23	■												
15	Pipe - flow of.		8 716 100 725 0		23	■												
16	Pipe - domestic outlet assembly		8 716 103 023 0		23	■												
17	Heat exchanger bracket assembly		8 716 102 964 0		23	■												
18	Hose flexible		8 716 140 557 0		23	■												
19	Ntc/thermister dhw		8 716 142 302 0	17	23	■												
20	Keep plate locking plate		8 716 100 433 0		23	■												
21	O-Ring 3.0 sec x 21.5 i/d e.p.		8 716 140 826 0		23	■												
22	Diverter valve		8 716 104 569 0		23	■												
23	Harness turbine flow switch assy		8 716 146 160 0		23	■												
24	Adaptor assembly g1/2 to g3/4		8 716 102 993 0		23	■												
25	Top manifold plug		8 716 103 259 0		23	■												
26	22mm isolating valve-return		8 716 142 434 0		23	■												
27	Non return valve		8 716 142 462 0		23	■												
28	Flow reg. type a 18 l/m purple + sleeve		8 716 104 479 0		23	■												
29	Gauze filter		8 716 148 401 0		23	■												
30	Filter primary system		8 716 148 411 0		23	■												
31	Solenoid		8 714 204 007 0	28	23	■												
32	Drain tube assy		8 716 103 204 0		23	■												
33	O-Ring 2.4 sec x 14.6 i/d e.p.		8 716 140 825 0		23	■												
34	Clip - domestic h.w. thermistor		8 716 148 313 0		23	■												
35	Clip - retaining		8 716 148 322 0		23	■												
36	Wireform spring		8 716 148 310 0	17	23	■												
37	Screw 4mm x 12 pt posi pan z/p		2 914 201 303 0		23	■												
38	O-ring 16x2 (x1)		8 716 115 675 0		23	■												
38	O-Ring 2.0 X 16.00 ID EP (10x)		8 716 140 814 0	15	23	■												
39	Wireform spring		8 716 148 321 0	14	23	■												
40	O-ring 16,64x3,53		8 716 140 831 0		23	■												
41	Screw m4x8mm taptite zc pl p/h		2 914 411 412 0	03	23	■												
42	Clip - small wire		8 716 148 323 0		23	■												
43	O-ring 2.4x5.6 I/D EPDM		8 716 140 838 0	12	23	■												
44	O-Ring 2.40 x 7.60 id nitrile		8 716 140 808 0	17	23	■												
45	By-pass Screw		8 716 156 325 0		23	■												
46	Clip - retaining		8 716 148 320 0		23	■												
47	Top manifold tail		8 716 140 260 0		23	■												
48	O-Ring 1.6 sec x 19.1 i/d e.p.		8 716 140 824 0		23	■												
49	O-Ring 3.53 sec x 23.4 i/d e.p		8 716 140 823 0		23	■												
51	Washer 18.6 X 13.5 X 1.5 (10x)		8 710 103 045 0	11	23	■												
<b>400E OSN</b>			Pump / Hydraulic assy D															<b>5</b>

Spare parts list



6720900024.AA

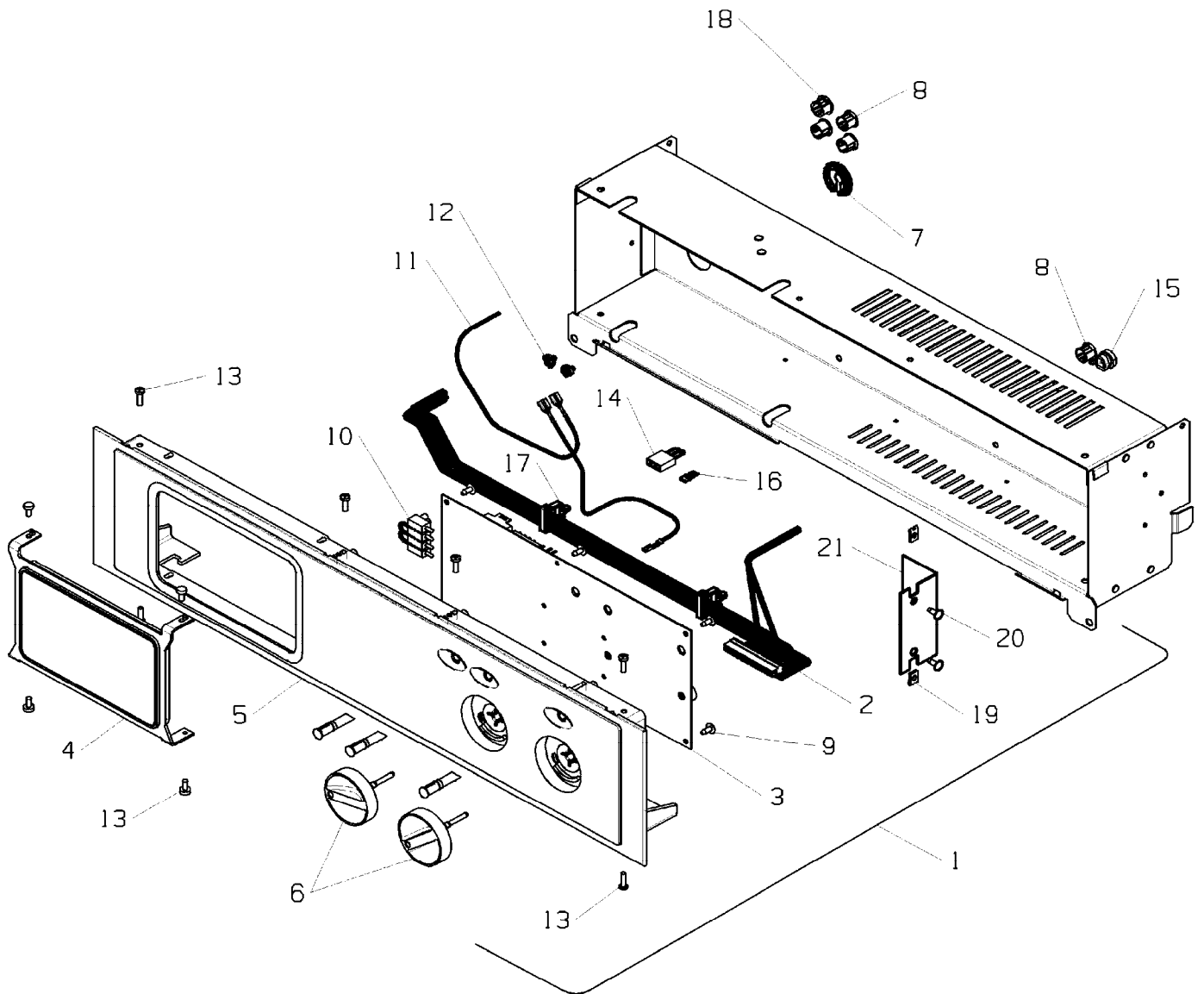
Pump / Hydraulic assy  
D

400E OSN

5

Pos	description	S-Nr	ordering no.	PG	gas type	400E OSN															remarks
51	Washer 18.6 x 13.5 x 1.5 (1x)		8 716 115 680 0		23	■															
52	Fibre washer 23.9 X 17.2 X 1.5 (10x)		8 710 103 043 0	12	23	■															
52	Washer 23.9 x 17.2 x 1.5 (X1)		8 716 115 674 0		23	■															
53	Pressure relief valve - 314439		8 716 142 422 0		23	■															
54	Screw m4x8mm taptite zc pl p/h		2 914 411 412 0	03	23	■															
55	Screw m5 x 16mm pozi pan head		2 912 451 158 0		23	■															
56	Washer m5 flat		2 916 011 012 0		23	■															
57	Upper pump plate		8 716 100 684 0		23	■															
58	Lower pump plate		8 716 100 685 0		23	■															
59	Isolator valve 15mm		8 716 102 349 0		23	■															
60	Air vent manual 1/4 bsp		8 716 140 516 0	21	23	■															
61	Inner casing grommet		8 716 140 719 0		23	■															
62	push in elbow		8 716 148 026 0		23	■															
	Hydraulic assembly		8 716 102 963 0		23	■															
400E OSN			Pump / Hydraulic assy D													<b>5</b>					

Spare parts list



670900034.AA

Electrical Box Assembly  
D

400E OSN

6



Pos	description	S-Nr	ordering no.	PG	gas type	400E OSN																remarks
1	Electrical box & facia assembly		8 716 104 563 0		23	■																
2	Harness - main		8 716 103 228 0		23	■																
3	Control board		8 716 102 339 0		23	■																
4	Facia plain insert plate		8 716 141 236 0		23	■																
5	Facia assembly		8 716 102 975 0		23	■																
6	Control knob graphics		8 716 102 472 0		23	■																
7	Bush harness strain relief		8 716 102 470 0		23	■																
8	Grommet nylon open-close		8 716 141 050 0	09	23	■																
9	Screw iso no 6b x 9.5 recessed		2 912 421 210 0	07	23	■																
10	Programmer link		8 716 104 656 0		23	■																
11	Earth harness		8 716 103 346 0		23	■																
12	Earth connector kit		8 716 101 795 0		23	■																
13	Screw m4x10mm taptite Scr zc pl p/h		2 914 411 408 0		23	■																
14	Aps link		8 716 103 345 0		23	■																
15	Bush cord strain relief sr5mn3		8 716 141 134 0		23	■																
16	PCB link		8 716 104 555 0		23	■																
17	Cable twist lock		8 716 104 668 0		23	■																
18	Plug hole heyco dp500		8 716 141 103 0		23	■																
19	Nut spire sNu3374		8 716 155 022 0		23	■																
20	Screw iso no 6b x 9.5 recessed		2 912 421 210 0	07	23	■																
21	Blanking plate		8 716 104 770 0		23	■																
<b>400E OSN</b>		<b>Electrical Box Assembly</b>																			<b>6</b>	
		<b>D</b>																				

**ADDITIONAL SPARE PARTS  
FOR APPLIANCE  
NOT DRAWN**

9099

6720900999.AA

Additional Spare Part  
D

400E OSN

**9**



**List of translations**

Pos			
1			
2			
3			
4			
5			
6			
7			
8			
9			
10			
11			
12			
13			
14			
15			
16			
17			
18			
19			
20			
21			
22			
23			
<b>2</b>			
1			
2			
3			
4			
5			
6			
7			
8			
9			
<b>3</b>			
1			
2			
3			
4			
5			
6			
7			
8			
9			
10			
11			
12			
13			
14			
15			
16			
17			
18			
19			
20			
21			
Pos			

**List of translations**

22				
23				
24				
25				
26				
27				
<b>4</b>				
1				
2				
3				
4				
5				
6				
7				
8				
9				
10				
11				
12				
13				
14				
15				
16				
17				
18				
19				
<b>5</b>				
1				
2				
3				
4				
5				
6				
7				
8				
9				
10				
11				
12				
13				
14				
15				
16				
17				
18				
19				
20				
21				
22				
23				
24				
25				
26				
27				
28				
Pos				

**List of translations**

29				
30				
31				
32				
33				
34				
35				
36				
37				
38				
39				
40				
41				
42				
43				
44				
45				
46				
47				
48				
49				
51				
52				
53				
54				
55				
56				
57				
58				
59				
60				
61				
62				
<b>6</b>				
1				
2				
3				
4				
5				
6				
7				
8				
9				
10				
11				
12				
13				
14				
15				
16				
17				
18				
19				
20				
21				
<b>9</b>				

**Types of appliances**

Appliance	ordering no.	Country remarks
<b>HIFLO400 ELECTRONIC-OSN-GB NAT</b>	7 716 120 010	United Kingdom







