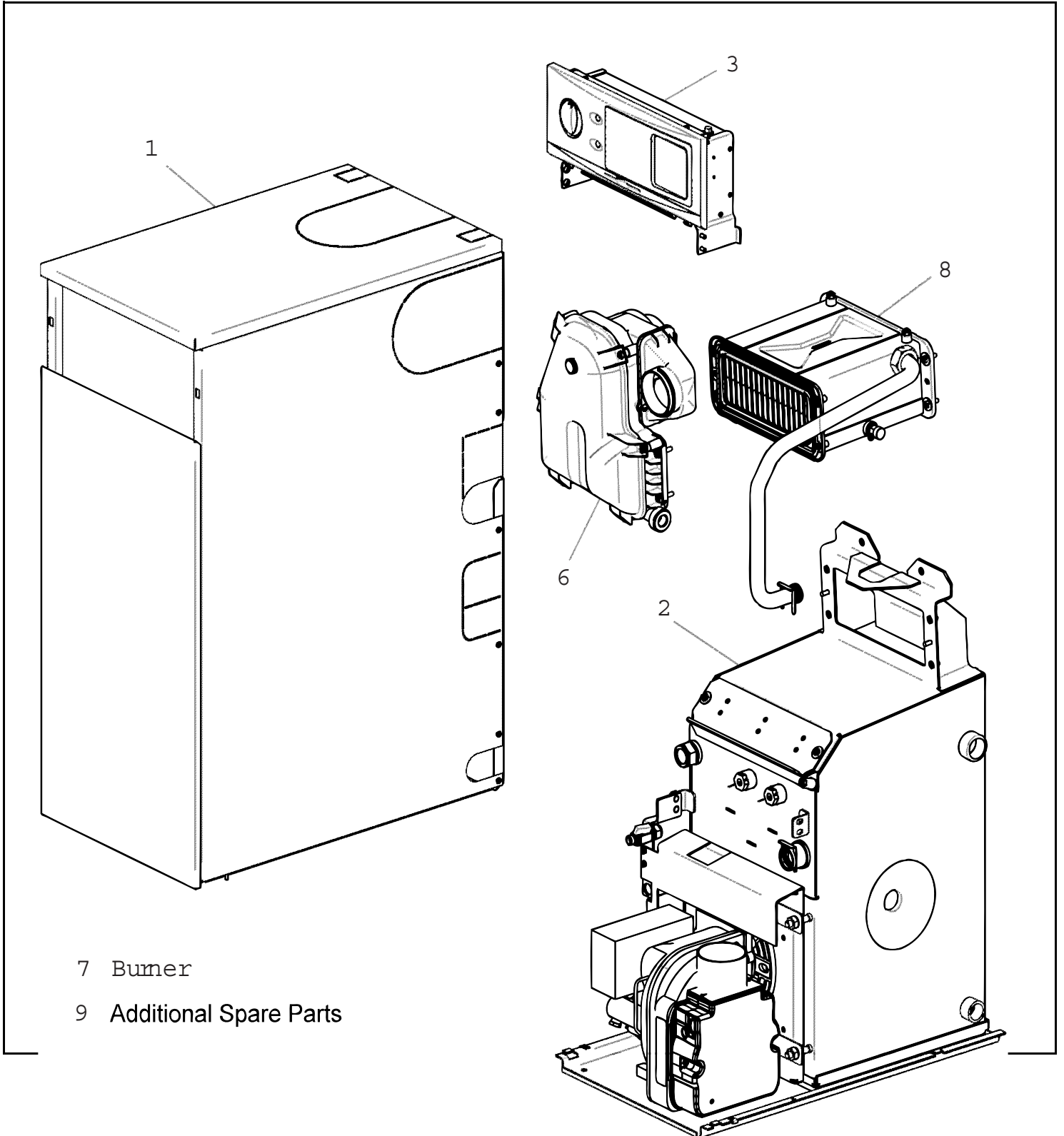


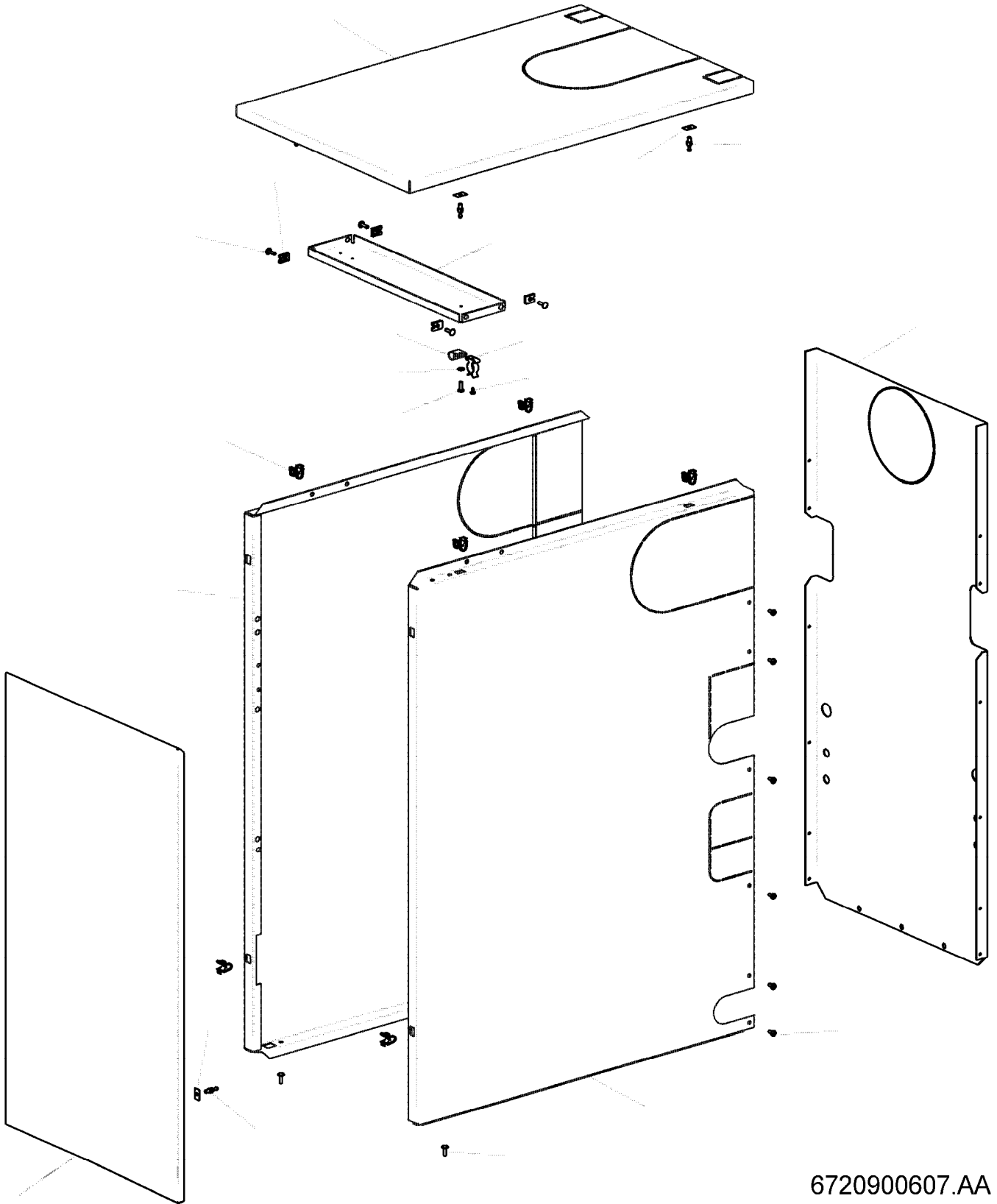
GREENSTAR CAMRAY



7 Burner

9 Additional Spare Parts

Spare parts list



6720900607.AA

Cabinet Assembly Drawing
D

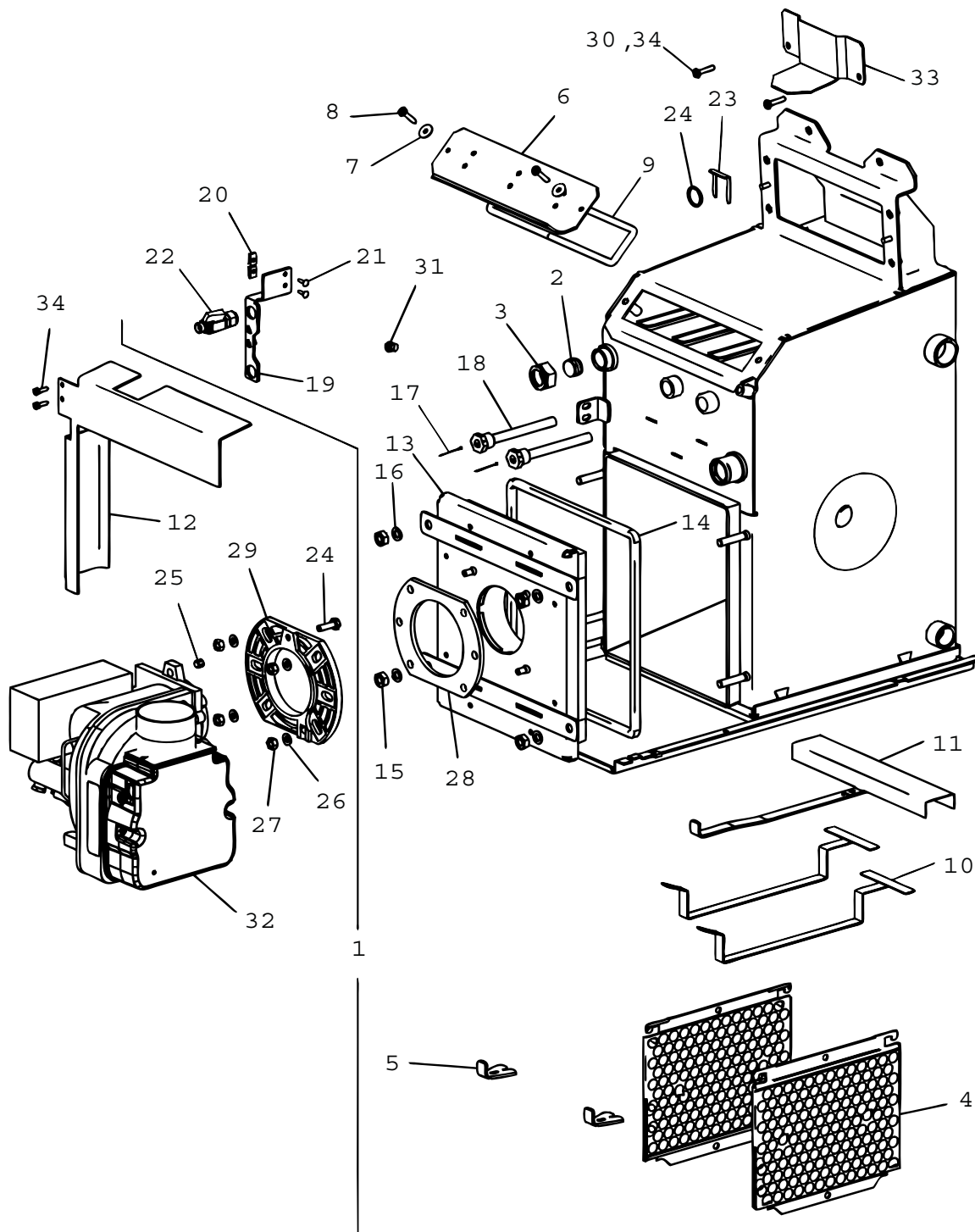
GS Camray Heatslave 12/14

1

Pos	description	S-Nr	ordering no.	PG	gas type	GS Camray	Heatslave 12/14													remarks
1	Front panel assembly		8 716 109 440 0			■	■													
1	Front panel & insulation		8 716 113 464 0			■														
2	Cabinet top panel assembly		8 716 111 987 0			■	■													
2	Top panel & insulation		8 716 113 463 0			■														
3	Side panel lh assembly		8 716 111 920 0			■	■													
3	LH side panel & insulation		8 716 113 461 0			■														
4	Side panel rh assembly		8 716 111 922 0			■	■													
4	RH side panel & insulation		8 716 113 462 0			■														
5	Screw no.8x1/2 f/h type b self tap.		2 912 421 225 0	16		■	■													
6	Nut 2ba flat black m/s		8 716 155 002 0	05		■	■													
7	Stud 2ba brass ball new design		8 716 140 512 0	08		■	■													
8	Nut Captive No:8		8 716 148 204 0	16		■	■													
9	Screw No8 x 1/2" pan head		2 912 401 025 0			■	■													
10	Cabinet top support assembly		8 716 107 605 0			■	■													
11	Clip - spring ref mfo319 soft (5 pack)		8 716 140 513 0	04		■	■													
12	Cabinet rear panel		8 716 111 925 0			■	■													
13	Clip - tool 1/2"		8 716 155 038 0			■	■													
14	Clip - p-type 9.5mm holding diameter		8 716 141 186 0			■	■													
15	Washer m4 flat z/p m/s		2 916 011 010 0			■	■													
16	Screw m4 x 12mm taptite zc pl ph		2 914 411 404 0	02		■	■													
17	Screw m3x6mm zc pl p/h taptite		2 914 411 411 0	18		■	■													
	Infil plate pack		8 716 115 179 0			■	■													

GS Camray Heatslave 12/14		Cabinet Assembly Drawing D											1
----------------------------------	--	-------------------------------	--	--	--	--	--	--	--	--	--	--	---

Spare parts list



672090060AD

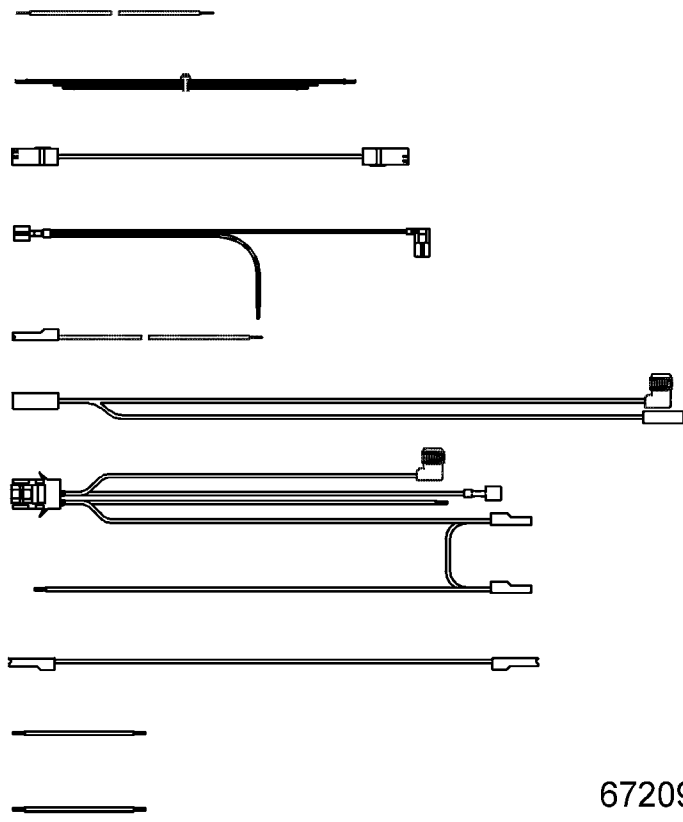
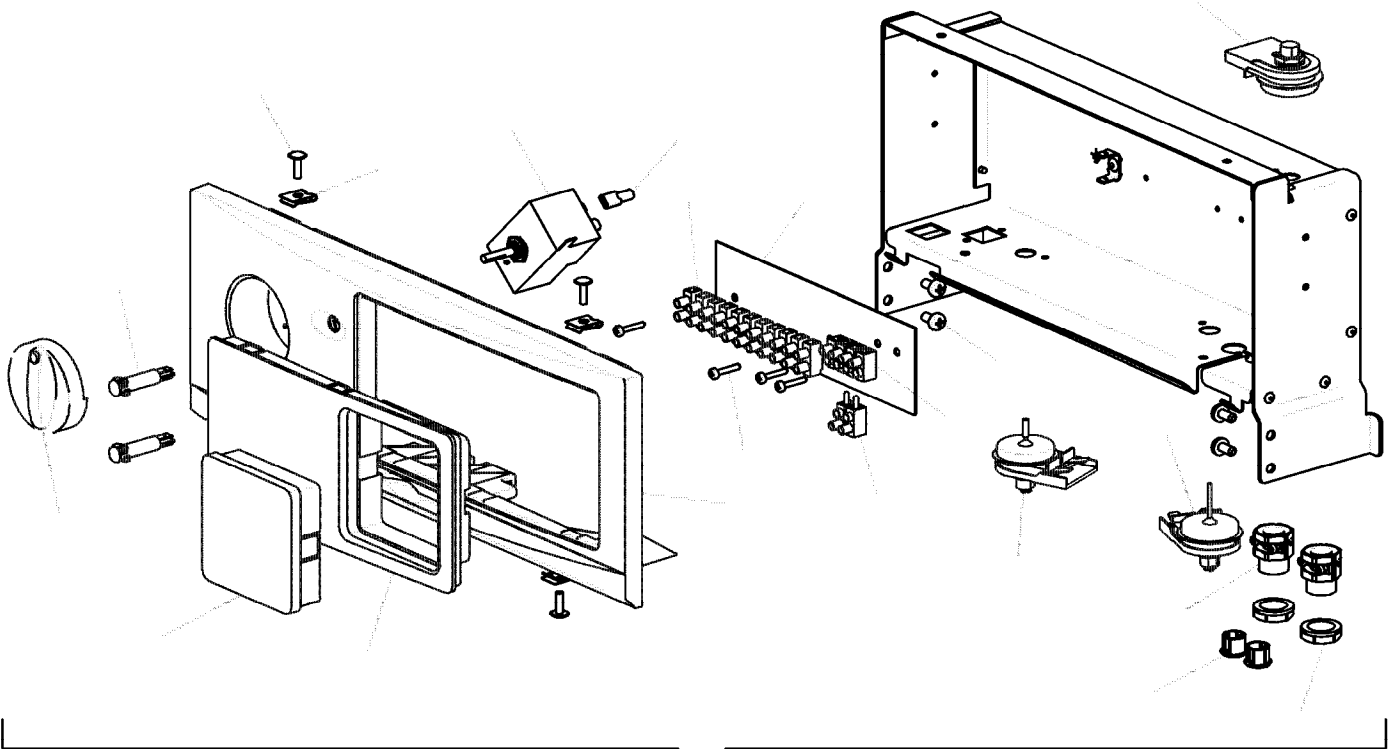
Primary HT Exchanger Assembly
D

GS Camray Heatslave 12/14

2

Pos	description	S-Nr	ordering no.	PG	gas type	GS Camray	Heatslave 12/14												remarks
1	25/32-000 Heat exchanger painted assy		8 716 111 926 0			■													
1	12/18-000 Heat exchanger painted assy		8 716 111 995 0				■												
1	18/25-000 Heat exchanger painted assy		8 716 112 009 0			■													
2	22mm blanking plug		8 716 140 246 0			■	■												
3	Capnut 22mm		8 716 148 011 0			■	■												
4	Baffle		8 716 115 372 0			■	■												
5	Baffle retainer key		8 716 111 958 0			■	■												
6	Flueway cover assembly		8 716 111 941 0			■	■												
7	Washer 1/4" x 3/4" x 16 gauge		2 916 011 884 0			■	■												
8	Screw Hex Z M6 x 25 8.8 ZP		8 716 113 066 0			■	■												
9	ROPE SEAL		8 716 113 302 0			■	■												
10	Tube blanking plate assembly		8 716 112 846 0			■	■												
11	Frame insulation assembly		8 716 112 419 0			■													
11	Frame insulation assembly		8 716 112 419 0			■	■												Before FD889
12	Guard Access Door Painted		8 716 112 802 0			■	■												
13	Access Door Assembly		8 716 111 985 0			■	■												
14	Rope thermal resistant		8 716 111 986 0			■	■												
15	Nut M10		2 915 011 010 0			■	■												
16	Washer m10		2 916 011 114 0			■	■												
17	Steel split pin 45mm x 1.5mm		8 716 155 047 0			■	■												
18	Pocket t/stat 27-3		8 716 140 245 0			■	■												
19	Bulkhead Mounting Bracket		8 716 112 800 0			■	■												
20	Nut Captive No:8		8 716 148 204 0	16		■	■												
21	Screw no.8x1/2 f/h type b self tap.		2 912 421 225 0	16		■	■												
22	Valve oil line		8 716 105 917 0			■	■												
23	Clip - retaining		8 716 148 322 0			■	■												
24	O-Ring 3.0 sec x 21.5 i/d e.p.		8 716 140 826 0			■	■												
25	Nut burner location		8 716 108 053 0			■	■												
26	Washer m8 form a ms zinc plate		2 916 011 015 0			■	■												
27	Nut m8 full hex m/s zc pl		2 915 011 009 0	18		■	■												
28	Gasket-Burner mounting flange		8 716 112 871 0			■	■												
29	Burner flange		8 716 108 051 0			■	■												
30	Screw Hex Z M6 x 25 8.8 ZP		8 716 113 066 0			■	■												
31	Air vent 1/8 bsp		8 716 140 238 0	12		■	■												
32	Burner assembly Riello RDB-112/18 tested		8 716 112 840 0				■												
32	Burner assy Riello RDB-2.2 18/25 tested		8 716 112 841 0			■													
32	Burner assy Riello RDB-2.2 25/32 tested		8 716 112 842 0			■													
33	Bracket Flue Elbow		8 716 113 611 0			■	■												
34	Screw m5x16mm hexagon slotted head		2 911 131 158 0			■	■												
	Insulation Jacket		8 716 111 959 0			■	■												
	Insulation Top		8 716 111 960 0			■	■												
	Insulation Heat Exchanger Front 12/25		8 716 112 022 0			■	■												
	Tape at500 silver 50mm x 5m		8 716 142 001 0			■	■												
GS Camray Heatslave 12/14			Primary HT Exchanger Assembly D																2

Spare parts list



6720900609.AA

Electrical Assembly Drawing
D

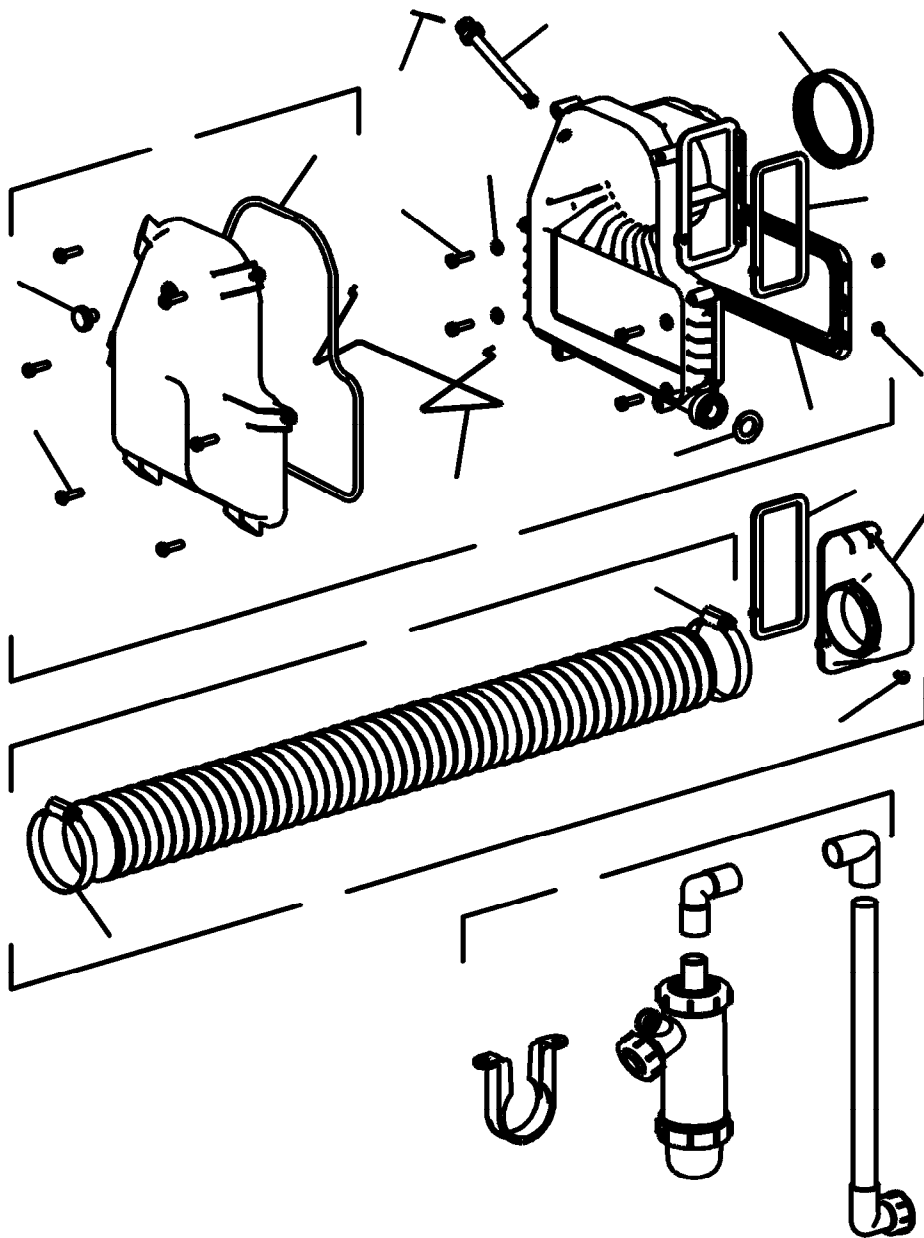
GS Camray Heatslave 12/14

3

Pos	description	S-Nr	ordering no.	PG	gas type	GS Camray	Heatslave 12/14														remarks
1	Electrical & facia assy kitchen 12/18		8 716 112 323 0				■														
1	ELECTRICAL & FACIA ASSEMBLY 18/25		8 716 112 743 0			■															
1	Electrical & facia assy kitchen 25/32		8 716 112 747 0			■															
2	Facia assy 12/18		8 716 112 324 0				■														
2	FACIA ASSEMBLY 18/25		8 716 112 744 0			■															
2	Facia assy 25/32		8 716 112 748 0			■															
3	Facia inset plate		8 716 105 380 0			■	■														
4	Programmer infil plate		8 716 105 383 0			■	■														
5	Knob control		8 716 105 385 0			■	■														
6	Neon indicator red		8 716 105 457 0			■	■														
7	Screw no.8x1/2 f/h type b self tap.		2 912 421 225 0	16		■	■														
8	Nut Captive No:8		8 716 148 204 0	16		■	■														
9	Thermostat control ch		8 716 107 621 0			■	■														
10	Boot ina term 4.8mm(dvc4.8)		8 716 146 221 0			■	■														
11	Terminal block 11 pole		8 716 109 057 0			■	■														
12	T/block 4 way f white302/sts/4		8 716 146 246 0			■	■														
13	TERMINAL PLUG 2 POLE		8 716 101 052 0			■	■														
14	Screw m3x16mm zc pl p/h taptite Scr		2 914 411 227 0			■	■														
15	Thermostat flue manual		8 716 107 624 0			■	■														
16	Thermostat manual reset		8 716 107 625 0			■	■														
17	Thermostat high limit		8 716 107 623 0			■	■														
18	Screw M5 x 10 Pan Head Pozi ZP		2 912 451 152 0			■	■														
19	Bush M16 cord grip		8 716 112 333 0			■	■														
20	Nut M16 lock.		8 716 112 334 0			■	■														
21	Grommet nylon open-close		8 716 141 050 0	09		■	■														
22	Cable 2.15dia blue		8 716 107 747 0			■	■														
23	Cable 2.15dia brown		8 716 107 754 0			■	■														
24	Harness-Highlight limit sensor		8 716 113 047 0			■	■														
25	Harness-Burner connector assembly		8 716 113 049 0			■	■														
26	Harness High Limit Sensor		8 716 113 323 0			■	■														
27	Harness-thermostat to terminal		8 716 113 045 0			■	■														
28	Harness earth		8 716 113 420 0			■	■														
29	Harness orange		8 716 113 421 0			■	■														
30	Harness assembly 3 way		8 716 113 422 0			■	■														
31	Harness-single brown		8 716 113 046 0			■	■														
32	Insulation strip		8 716 156 844 0			■	■														

GS Camray Heatslave 12/14	Electrical Assembly Drawing D	3
----------------------------------	----------------------------------	----------

Spare parts list



6720900611.AA

Manifold Assembly
D

6

GS Camray Heatslave 12/14

Pos	description	S-Nr	ordering no.	PG	gas type	GS Camray	Heatslave 12/14													remarks
1	Manifold assembly		8 716 115 250 0			■	■													
2	RS Air duct assembly		8 716 114 986 0			■	■													
3	Thermostat pocket assembly		8 716 107 697 0			■	■													
4	Steel split pin 45mm x 1.5mm		8 716 155 047 0			■	■													
5	Flue service cover		8 716 113 175 0			■	■													
6	Seal - Service Cover		8 716 107 536 0			■	■													
7	Cap analysing point		8 716 113 177 0			■	■													
8	Screw Hex Z M6 x 25 8.8 ZP		8 716 113 066 0			■	■													
9	Seal SHE 16 tubes		8 716 112 954 0			■	■													
10	Flue seal		8 711 004 302 0	19		■	■													
11	Gasket RS Air Duct S/AD		8 716 107 535 0			■	■													
12	RS Air Duct		8 716 107 362 0			■	■													
13	Screw M5 x 10 Pan Head Pozi ZP		2 912 451 152 0			■	■													
14	Hose clip 60mm-80mm		8 716 108 280 0			■	■													
15	Burner air duct assembly		8 716 112 424 0			■	■													
16	Retainer-secondary baffle		8 716 110 092 0			■	■													
17	Washer condensate pipe		8 716 110 174 0			■	■													
18	Cowl Spacer		8 716 113 450 0			■	■													
19	Washer 6mm id flat z/p m/s		2 916 011 014 0			■	■													
20	Condensate trap kit		8 716 113 210 0			■	■													
GS Camray Heatslave 12/14			Manifold Assembly D													6				

Drawing not
currently
available

Drawing not
currently
available

Pos	description	S-Nr	ordering no.	PG	gas type	GS Camray																	remarks	
	Coil assembly		8 716 109 185 0			■																		
	Capacitor		8 716 109 188 0			■																		
	Photo-electric cell		8 716 109 193 0			■																		
GS Camray			Burner assembly Riello RDB 2.2 18/25 D																		7			

Drawing not
currently
available

Drawing not
currently
available

Drawing not
currently
available

Drawing not
currently
available

Pos	description	S-Nr	ordering no.	PG	gas type	GS Camray															remarks	
	Burner tube T2 SH 18/25		8 716 112 780 0			■																
	Alr damper disc RDB2.2		8 716 112 783 0			■																
GS Camray			Burner assembly Riello RDB 2.2 18/25 D															7				

Drawing not
currently
available

Drawing not
currently
available

Pos	description	S-Nr	ordering no.	PG	gas type	GS	Camray																					remarks	
	Pump G Riello RDB		8 716 115 297 0			■																							
	Oil hose HNBR 900mm		8 716 115 312 0			■																							
GS Camray		Burner assembly Riello RDB 2.2 18/25 D																								7			

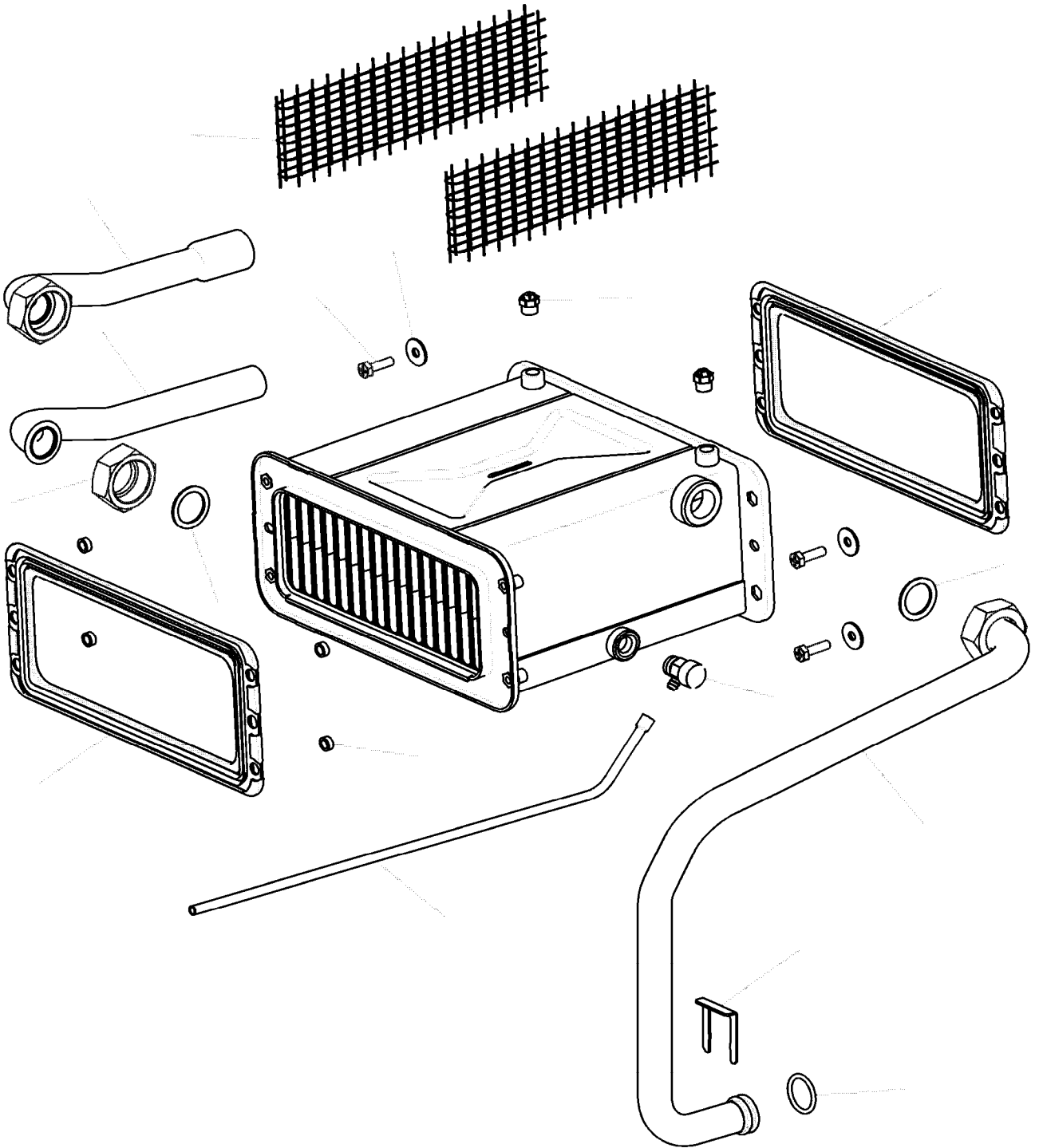
Drawing not
currently
available

Pos	description	S-Nr	ordering no.	PG	gas type	GS Camray																	remarks	
	Nipple 1/4" conical x 1/4" conical		8 716 140 554 0			■																		
GS Camray	Burner assembly Riello RDB 2.2 18/25 D																					7		

Drawing not
currently
available

Pos	description	S-Nr	ordering no.	PG	gas type	GS Camray														remarks	
	Washer copper 1/4"		8 716 142 769 0			■															
	Nozzle danfoss 0.60 80 deg es		8 716 156 670 0			■															
	Nozzle danfoss 0.55 80 deg eh		8 716 156 671 0			■															
	Air inlet cowl		8 718 682 134 0			■															
	Combustion head		8 718 682 170 0			■															
	Capacitor cover		8 718 682 174 0			■															
	Digital control box		8 718 682 250 0			■															
	Gasket burner		8 718 682 439 0			■															
GS Camray			Burner assembly Riello RDB 2.2 18/25 D																	7	

Spare parts list



6720900610.AA

Secondary HT Exchanger Assembly
D

GS Camray

8

Pos	description	S-Nr	ordering no.	PG	gas type	GS Camray	Heatslave 12/14														remarks
1	Secondary Heat Exchanger Final Assembly		8 716 112 430 0			■	■														
2	Screw Hex Z M6 x 25 8.8 ZP		8 716 113 066 0			■	■														
3	Air vent manual 1/4 bsp		8 716 140 516 0	21		■	■														
4	Boiler drain tube		8 716 141 219 0			■	■														
5	Seal SHE 16 tubes		8 716 112 954 0			■	■														
6	Baffle double secondary heat exchanger		8 716 108 105 0			■	■														
7	Air vent 1/8 bsp		8 716 140 238 0	12		■	■														
8	washer 30.5x22.2x1.5		8 716 140 920 0	13		■	■														
9	Pipe Ch Return		8 716 112 809 0			■	■														
10	Nut clamping g1		8 716 140 247 0			■	■														
11	Pipe - Secondary To Primary		8 716 112 811 0			■	■														
12	O-Ring 3.0 sec x 21.5 i/d e.p.		8 716 140 826 0			■	■														
13	Clip - retaining		8 716 148 322 0			■	■														
14	Cowl Spacer		8 716 113 450 0			■	■														
15	Washer 1/4" x 3/4" x 16 gauge		2 916 011 884 0			■	■														
16	Pipe Central Heating return expanded		8 716 112 866 0			■															
	Insulation secondary top		8 716 108 937 0			■	■														
	Insulation secondary bottom		8 716 108 938 0			■	■														
	Tape at500 silver 50mm x 5m		8 716 142 001 0			■	■														
GS Camray Heatslave 12/14			Secondary HT Exchanger Assembly D																	8	

**ADDITIONAL SPARE PARTS
FOR APPLIANCE
NOT DRAWN**

9099

6720900999.AA

Additional Spare Part
D

GS Camray Heatslave 12/14

9

Pos	description	S-Nr	ordering no.	PG	gas type	GS Camray	Heatslave 12/14													remarks	
	Digital programmer		8 716 105 391 0			■	■														
	IM G'STAR CAM 12/32 KITCHEN 2006/12 EN		8 716 113 000 0			■	■														
	OM G'STAR CAM 12/32 KITCHEN 2006/12 EN		8 716 113 001 0			■	■														
	Literature Pack - Camray Kitchen 12/32		8 716 113 002 0			■	■														
	SO G'STAR CAM 12/32 KITCHEN 2006/12 EN		8 716 113 003 0			■	■														
	CONDENSATE TRAP KIT		8 716 113 278 0			■	■														
GS Camray Heatslave 12/14			Additional Spare Part D																9		

List of translations

Pos			
1			
2			
3			
4			
5			
6			
7			
8			
9			
10			
11			
12			
13			
14			
15			
16			
17			
2			
1			
2			
3			
4			
5			
6			
7			
8			
9			
10			
11			
12			
13			
14			
15			
16			
17			
18			
19			
20			
21			
22			
23			
24			
25			
26			
27			
28			
29			
30			
31			
32			
33			
34			
Pos			
3			

List of translations

1				
2				
3				
4				
5				
6				
7				
8				
9				
10				
11				
12				
13				
14				
15				
16				
17				
18				
19				
20				
21				
22				
23				
24				
25				
26				
27				
28				
29				
30				
31				
32				
6				
1				
2				
3				
4				
5				
6				
7				
8				
9				
10				
11				
12				
13				
14				
15				
16				
17				
18				
19				
20				
7				
Pos				
8				

Types of appliances

Appliance	ordering no.	Country remarks
GREENSTAR CAMRAY 12/18 ROO GB	7 716 100 105	United Kingdom
GREENSTAR CAMRAY 18/25 ROO GB	7 716 100 106	United Kingdom
GREENSTAR CAMRAY 25/32 OIL	7 716 100 107	United Kingdom

