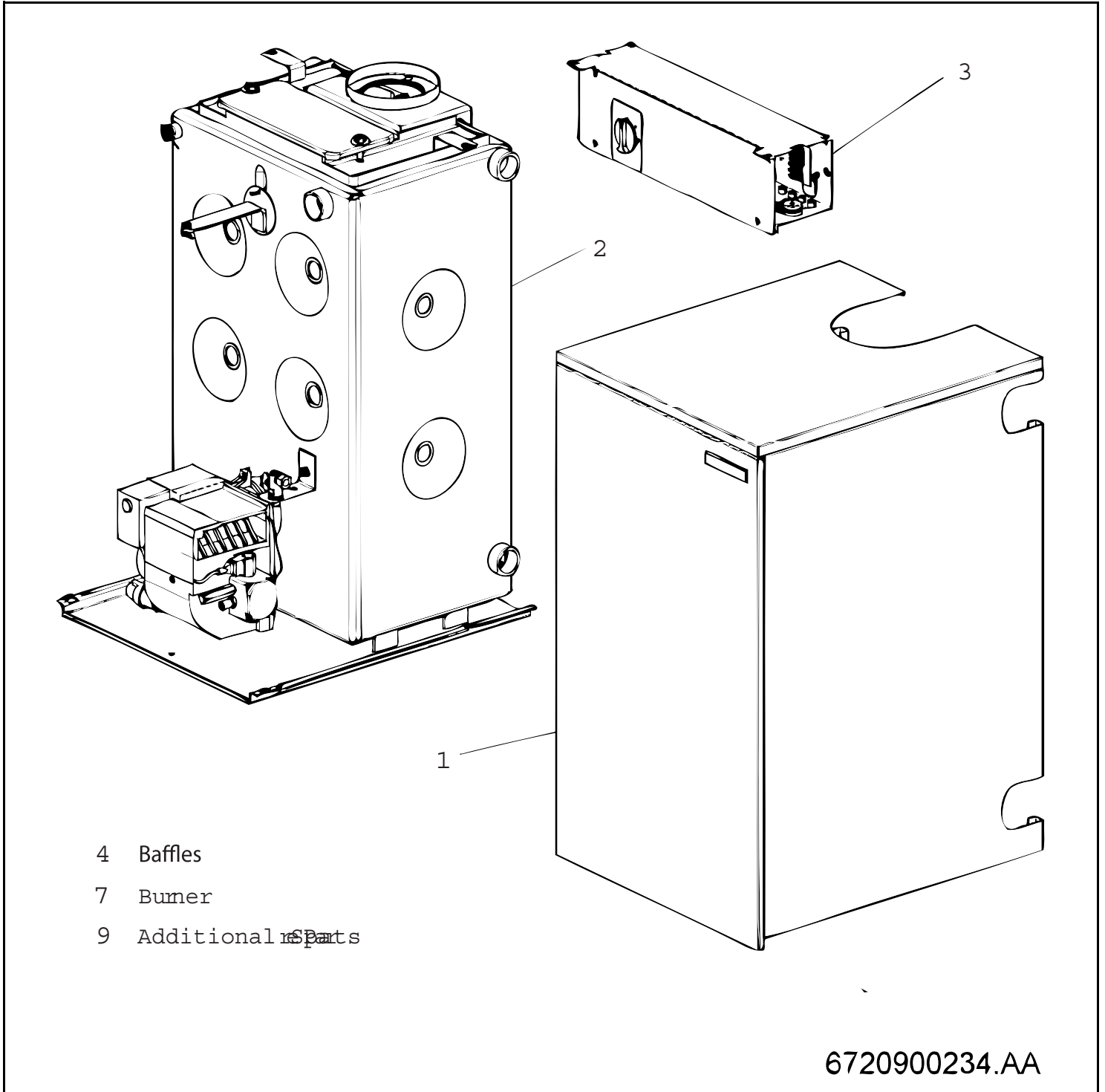


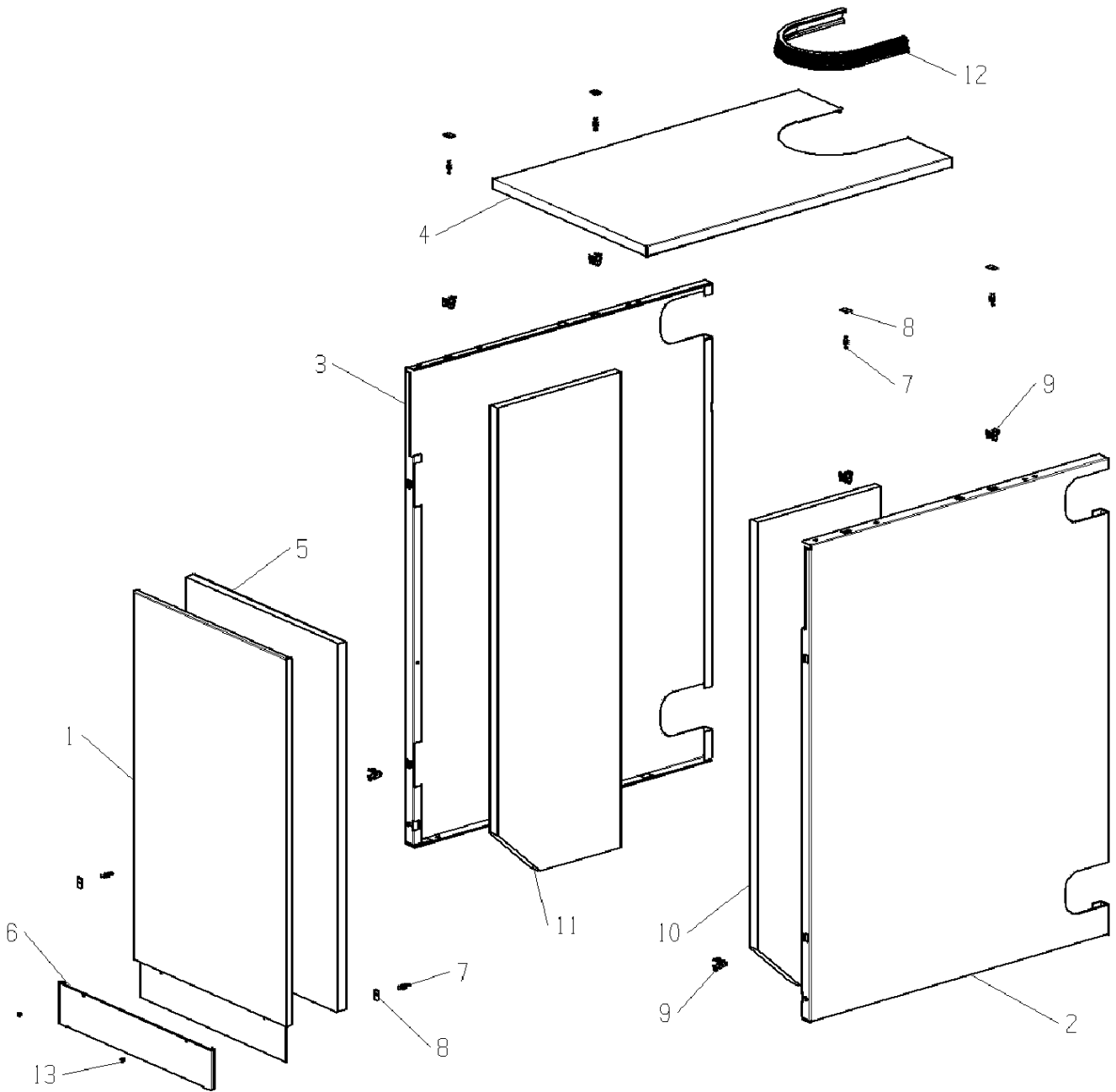
# DANESMOOR 26/32-000







# Spare parts list



6720900250.AA

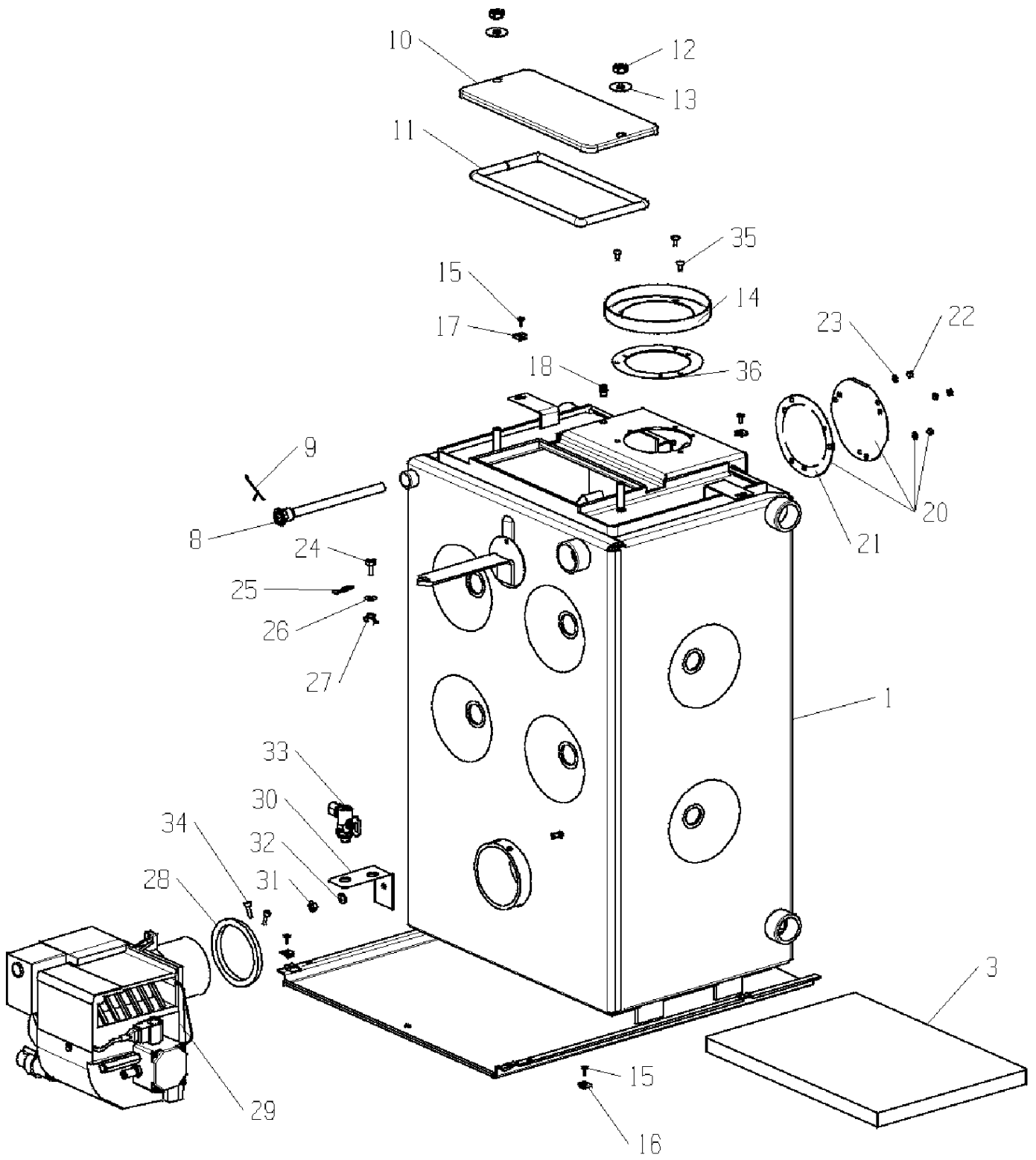
Casing  
D

26/32 000

1

Pos	description	S-Nr	ordering no.	PG	gas type	26/32 000															remarks
1	Cabinet front panel assembly		8 716 120 288 0			■															
2	Cabinet side panel assembly rh		8 716 120 755 0			■															
3	Cabinet side panel assembly lh		8 716 120 756 0			■															
4	Top panel assembly		8 716 120 129 0			■															
5	Front panel insulation		8 716 100 412 0			■															
6	Kickstrip		8 716 100 960 0			■															
7	Stud 2ba brass ball new design		8 716 140 512 0	08		■															
8	Nut 2ba flat black m/s		8 716 155 002 0	05		■															
9	Clip - spring ref mfo319 soft (5 pack)		8 716 140 513 0	04		■															
10	Side panel insulation-rh		8 716 100 327 0			■															
11	Side panel insulation-lh		8 716 101 087 0			■															
12	Embellishment - flue (473mm)		8 716 148 102 0			■															
13	Black nylon snap rivet		8 716 155 039 0			■															
<b>26/32 000</b>			Casing D																		<b>1</b>

Spare parts list



6720900230.AA

Heat exchanger  
D

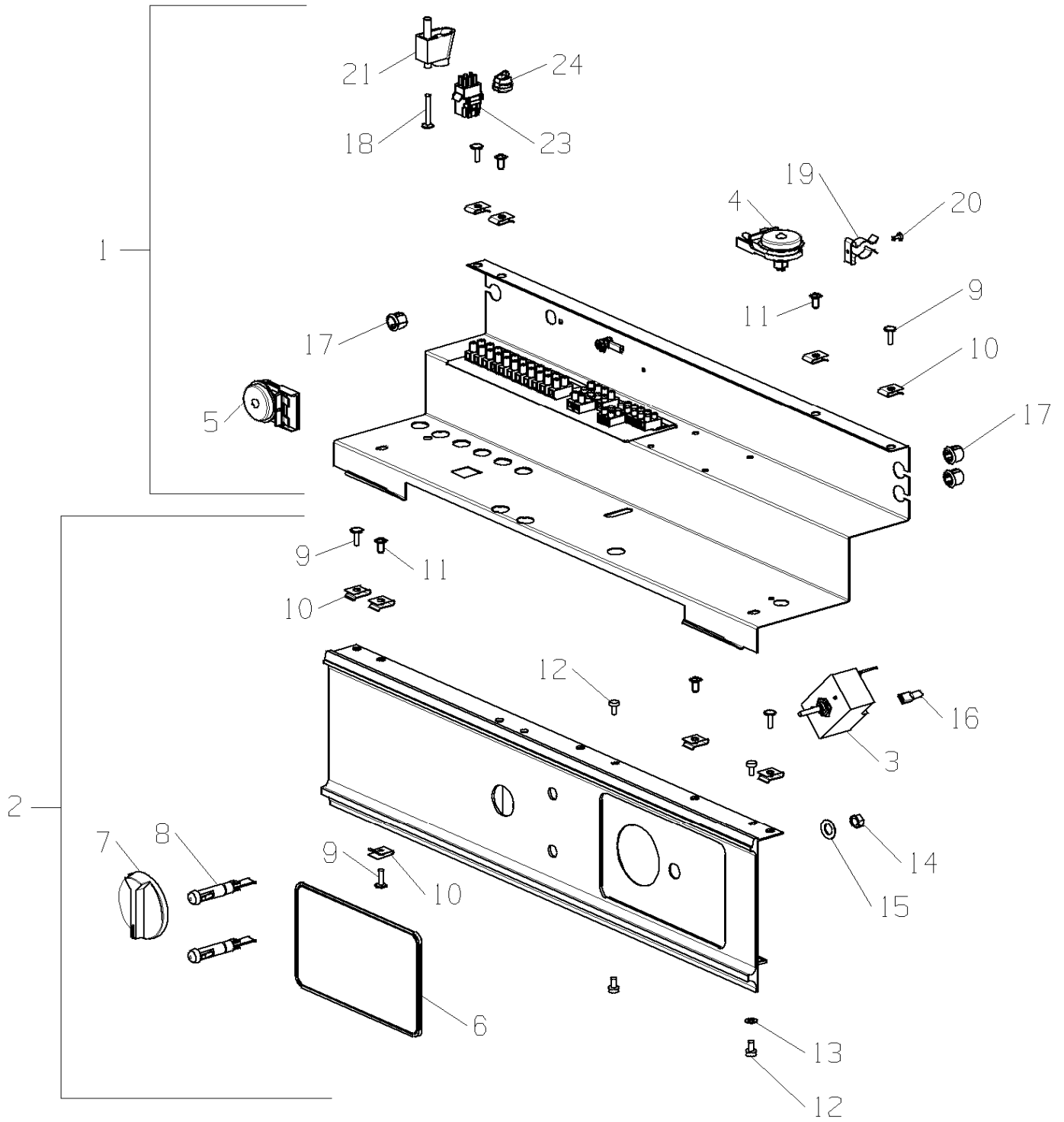
26/32 000

2

Pos	description	S-Nr	ordering no.	PG	gas type	26/32 000													remarks
1	Heat exchanger final assy (ann)		8 716 120 095 0			■													
3	Heat exchanger base insulation		8 716 102 266 0			■													
8	Thermostat pocket		8 716 105 360 0			■													
9	Steel split pin 45mm x 1.5mm		8 716 155 047 0			■													
10	Access lid assembly		8 716 120 261 0			■													
11	Rope-thermoseal type4 13mm dia		8 716 140 903 0			■													
12	Nut M10		2 915 011 010 0			■													
13	Washer M10		2 916 011 896 0			■													
14	5" flue ring		8 716 100 959 0			■													
15	Screw no.8x1/2 f/h type b self tap.		2 912 421 225 0	16		■													
16	Nut Captive No:8		8 716 148 204 0	16		■													
17	No 8 open captive nut - bronze		8 716 140 514 0			■													
18	Plug 1/8 Plain solid		8 716 140 117 0			■													
20	flue blanking plate kit		8 716 101 107 0			■													
21	Gasket		8 716 140 736 0			■													
22	Nut M5 Full Hex Z/P M/S		2 915 011 006 0	10		■													
23	Washer m5 flat		2 916 011 012 0			■													
24	Screw 1/4 x 5/8 hex head set		8 716 140 508 0			■													
25	Thermoplastic rubber plug		8 716 140 511 0			■													
26	Washer m8 form a ms zinc plate		2 916 011 015 0			■													
27	Nut 1/4" wing chrome plated		8 716 140 510 0			■													
28	Gasket burner seal		8 716 140 902 0			■													
29	Burner st40 assembly		8 716 105 309 0			■													
30	Bulkhead mounting bracket		8 716 100 958 0			■													
31	Nut m8 full hex m/s zc pl		2 915 011 009 0	18		■													
32	Washer 6mm id flat z/p m/s		2 916 011 014 0			■													
33	Valve 1/4 bsp iso. bulk hea		8 716 142 423 0			■													
34	Screw machine m6x16mm slotted		2 910 091 197 0			■													
35	Screw m6x10mm bzp slt p/h m/s		2 910 001 191 0			■													
36	Gasket flue ring		8 716 142 226 0			■													
	Insulation jacket		8 716 142 206 0			■													

<b>26/32 000</b>		Heat exchanger D	<b>2</b>
------------------	--	---------------------	----------

# Spare parts list



6720900216.AA

Electrical Box Assembly  
D

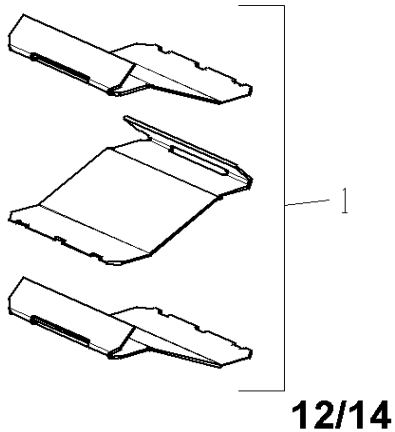
26/32 000

**3**

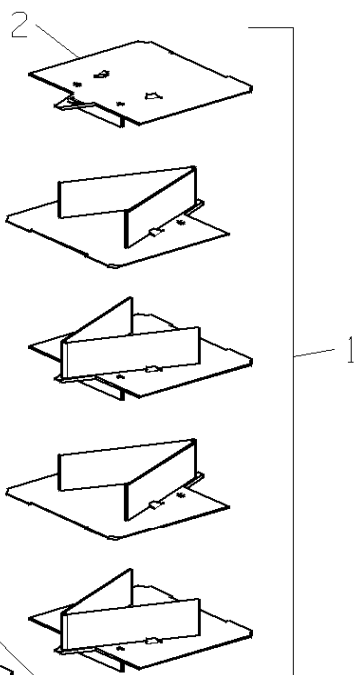


Pos	description	S-Nr	ordering no.	PG	gas type	26/32 000															remarks
1	Control box assembly		8 716 120 103 0			■															
2	Facia assembly		8 716 120 106 0			■															
3	Flow thermostat		8 716 142 309 0	45		■															
4	Thermostat manual reset 900mm capillary		8 716 142 392 0			■															
5	T/stat high limit I07-p1022		8 716 142 311 0			■															
6	Facia pj blanking plate		8 716 148 124 0			■															
7	Knob control green-grey		8 716 141 087 0			■															
8	Neon indicator red		8 716 146 000 0			■															
9	Screw no.8x1/2 f/h type b self tap.		2 912 421 225 0	16		■															
10	Nut Captive No:8		8 716 148 204 0	16		■															
11	Screw no.8 x 3/8" b pozi f/hd s/ta		2 912 421 224 0			■															
12	Screw m4x8mm taptite zc pl p/h		2 914 411 412 0	03		■															
13	Washer m4 flat z/p m/s		2 916 011 010 0			■															
14	Nut m6 full hex z/p m/s		2 915 011 007 0			■															
15	Washer m8 form a ms zinc plate		2 916 011 015 0			■															
17	Grommet nylon open-close		8 716 141 050 0	09		■															
18	Screw no.6x1" type b zp p/h st Sc		2 912 421 215 0			■															
19	Clip - tool 1/2"		8 716 155 038 0			■															
20	Screw m3x6mm zc pl p/h taptite		2 914 411 411 0	18		■															
21	Clamp cable type kb2 insuloid		8 716 141 101 0			■															
23	Harness-recept. to indicators		8 716 120 210 0			■															
24	Cord strain relief Bush		8 716 141 102 0	14		■															
	Harness 6 Way		8 716 105 271 0			■															
	Harness-recept. to indicators		8 716 120 210 0			■															
	Post purge unit		8 716 146 308 0			■															
<b>26/32 000</b>			Electrical Box Assembly D																	<b>3</b>	

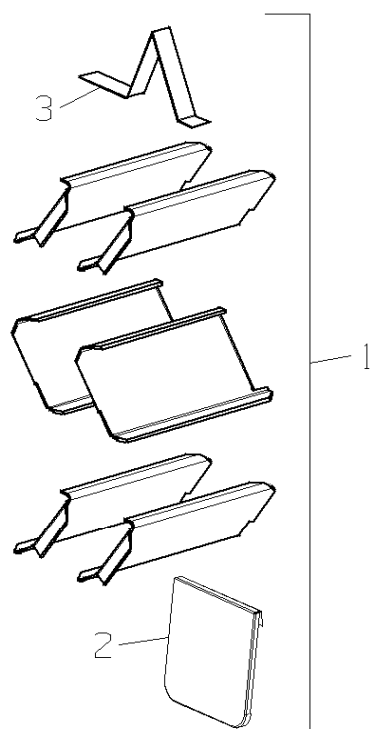
Spare parts list



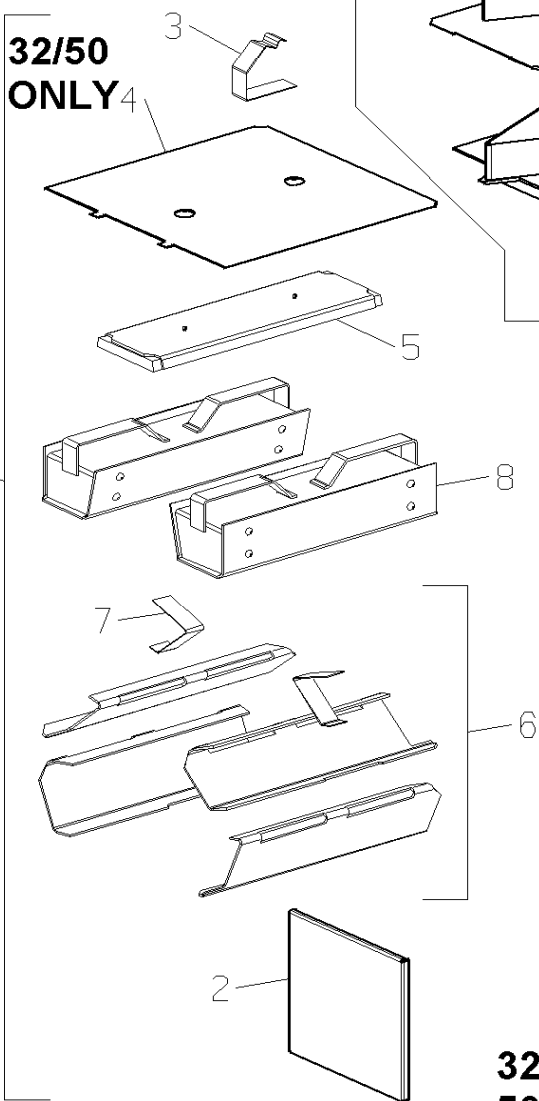
12/14



15/19

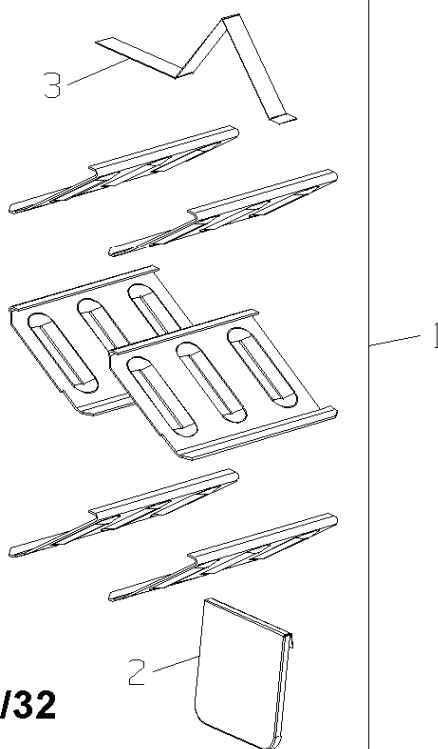


20/25



32/50  
ONLY

32/50  
50/70



26/32

6720900217.AA

Baffle  
D

4

26/32 000

Pos	description	S-Nr	ordering no.	PG	gas type	26/32 000													remarks		
1	Baffle set 26-32 ( 8 piece )		8 716 120 265 0			■															
2	Target plate		8 716 100 235 0			■															
3	Baffle retainer 26-32		8 716 100 156 0			■															
<b>26/32 000</b>			Baffle D																		<b>4</b>

Drawing not  
currently  
available

26/32-sterling drawing  
D

7

26/32 000

Pos	description	S-Nr	ordering no.	PG	gas type															remarks
	Burner st40 assembly		8 716 105 309 0			■														
	Nipple 1/4" coNical x 1/4" coNical		8 716 140 554 0			■														
	Nozzle danfoss 0.55 80 deg h		8 716 142 718 0			■														
	Pump bfp11i3 oil (left hand)		8 716 142 736 0			■														
	Coil solenoid valve bfp21i3		8 716 142 737 0	51		■														
	Ignition electrode 11593701		8 716 142 752 0			■														
	Electrode holder		8 716 142 753 0			■														
	Cable transformer supply-(danfoss ebi)		8 716 142 761 0			■														
	Nozzle danfoss 0.50 80 deg h		8 716 156 554 0			■														
	Coupling flex drive		8 716 156 565 0			■														
	Nozzle danfoss 0.85 80 deg eh		8 716 156 644 0			■														
	AEg 90w burner motor eogb mo2-1-90-11		8 716 156 645 0			■														
	Control box satronic s01 TF832.3		8 716 156 648 0			■														
	Rear cover plate ScRw		8 716 156 650 0			■														
	Pressure gauge extension bar		8 716 156 652 0			■														
	Air regulation plate - sterling 35/40/50		8 716 156 653 0			■														
	Air damper - sterling 35/40/50		8 716 156 654 0			■														
	Adjustment Screw air regulation		8 716 156 655 0			■														
	Scale air regulation - sterling 35/40/50		8 716 156 656 0			■														
	Cover plate air regulation		8 716 156 657 0			■														
	Nozzle holder check valve danfoss		8 716 156 658 0			■														
	O-Ring 121x1.6		8 716 156 659 0			■														
	Gasket- burner body front plate		8 716 156 661 0			■														
	Transformer holding spring-danfoss ebi		8 716 156 662 0			■														
	Flexible oil line		8 716 156 663 0			■														
	3 uf capacitor for aeg motor [+/-5%]		8 716 156 665 0			■														
	Nozzle danfoss 1.00 80 deg eh		8 716 156 682 0			■														
	Electrode leads (pair)-sterling35/40/50		8 716 156 683 0			■														
	Nozzle adjustment cover plate-sterling		8 716 156 684 0			■														
	Nozzle adjustment Screw sterling35/40/50		8 716 156 685 0			■														
	Bushing - sterling 35/40/50		8 716 156 686 0			■														
	Nozzle holder - sterling 50		8 716 156 688 0			■														
	Rear cover plate - sterling 35/40/50		8 716 156 689 0			■														
	Drive coupling - sterling 35/40/50		8 716 156 690 0			■														
	Satronic mz770s photocell lead only		8 716 156 691 0			■														
	Satronic mz770s photcell c/w flange&lead		8 716 156 692 0			■														
	Burner main body - sterling 35/40/50		8 716 156 693 0			■														
	Transformer-danfoss ebi 052f0030		8 716 156 696 0			■														
	Blast tube pl6/7/21.5/10 x 80mm		8 716 156 697 0			■														
	Fan wheel - st108 - 108x42x8		8 716 157 000 0			■														
	Pipe - nozzle connecting - st97/108		8 716 157 001 0			■														
	Fan housing front plate - st97/108		8 716 157 002 0			■														
	Fan housing sheild plate - st97/108		8 716 157 003 0			■														
	Motor cable - aeg(fhp)		8 716 157 012 0			■														
	Pump suntec as47c		8 716 157 014 0			■														
	Pipe - two conversion Screw - danfoss		8 716 157 015 0			■														
	Pipe - two conversion Screw - suntec as4		8 716 157 016 0			■														
	Control box base-satronic		8 716 157 042 0			■														
<b>26/32 000</b>			26/32-sterling drawing D																<b>7</b>	

**ADDITIONAL SPARE PARTS  
FOR APPLIANCE  
NOT DRAWN**

9099

6720900999.AA

Additional Spare Part  
D

26/32 000

**9**

Pos	description	S-Nr	ordering no.	PG	gas type	26/32 000																							remarks
	Danesmoor cf/rs installation instruction		8 716 104 436 0			■																							
	Literature Pack - D/moor 12-70/OOO		8 716 104 496 0			■																							
	D/moor kitchen user manual		8 716 145 136 0			■																							
<b>26/32 000</b>		Additional Spare Part D																								<b>9</b>			

**List of translations**

Pos			
1			
2			
3			
4			
5			
6			
7			
8			
9			
10			
11			
12			
13			
<b>2</b>			
1			
3			
8			
9			
10			
11			
12			
13			
14			
15			
16			
17			
18			
20			
21			
22			
23			
24			
25			
26			
27			
28			
29			
30			
31			
32			
33			
34			
35			
36			
<b>3</b>			
1			
2			
3			
4			
5			
6			
7			
8			
9			
10			
Pos			





**Types of appliances**

Appliance	ordering no.	Country remarks
<b>DANESMOOR 26/32-000-GB OIL BLR</b>	7 716 100 009	United Kingdom







