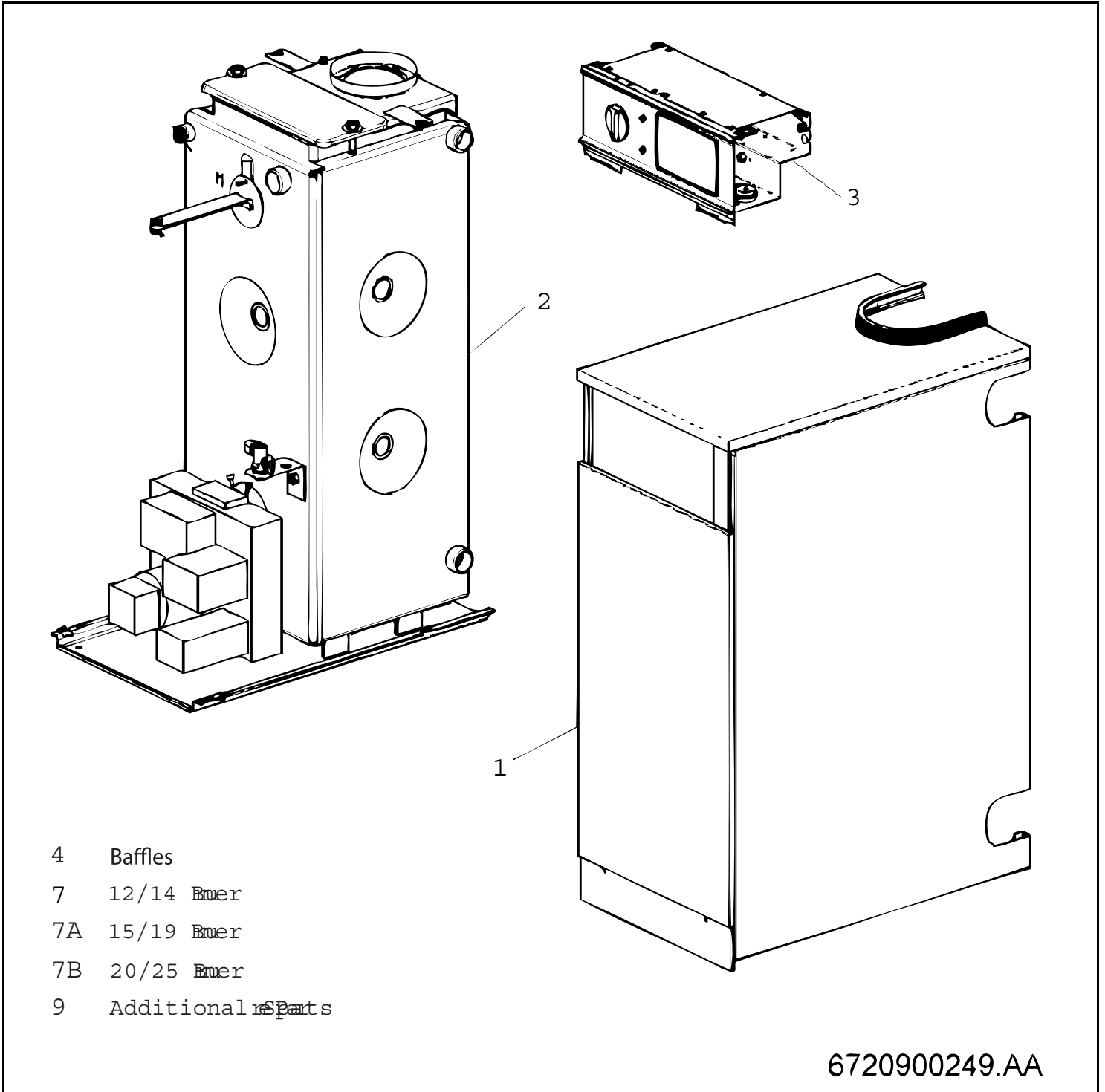


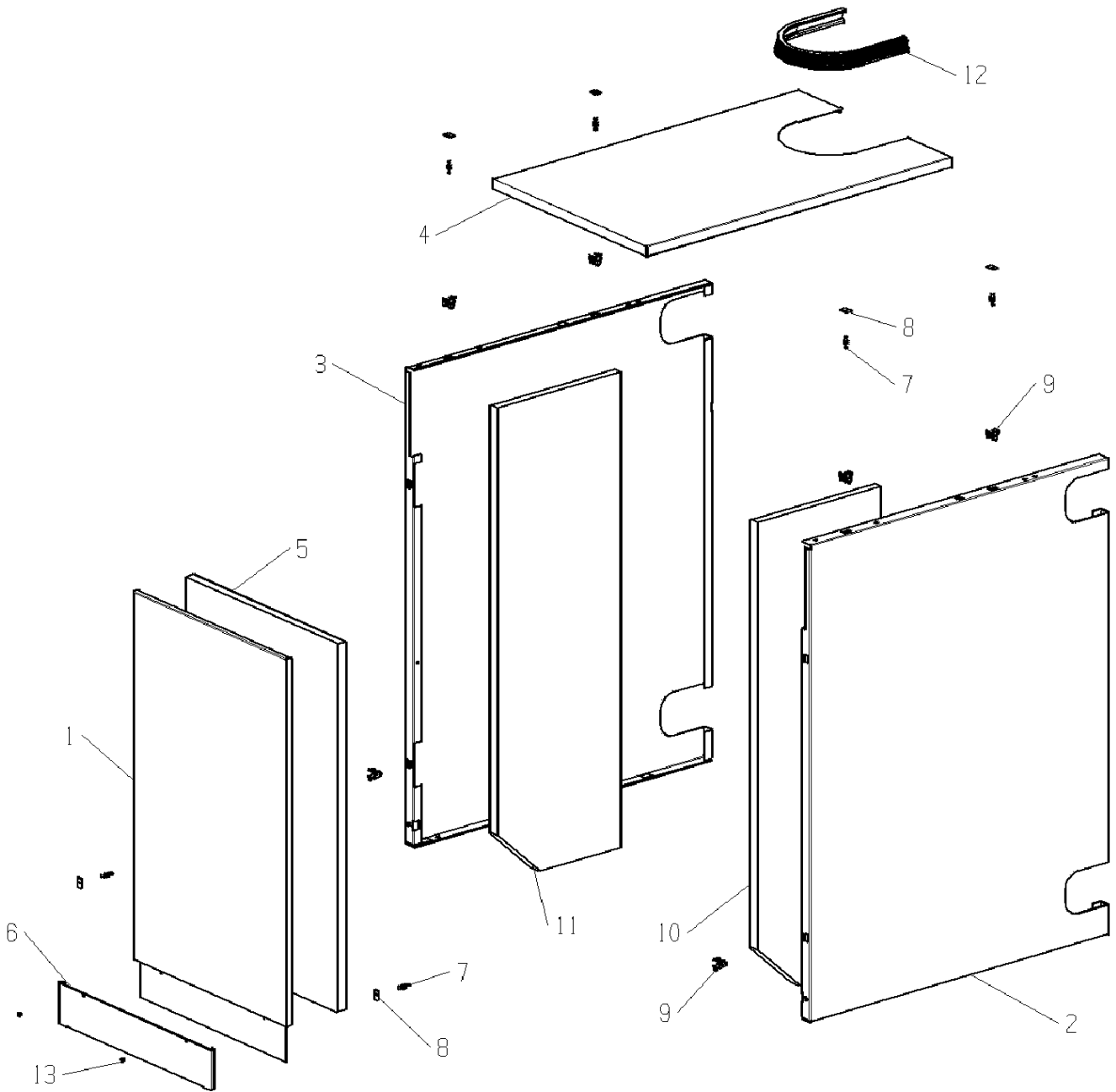
# DANESMOOR 20/25-000







# Spare parts list



6720900250.AA

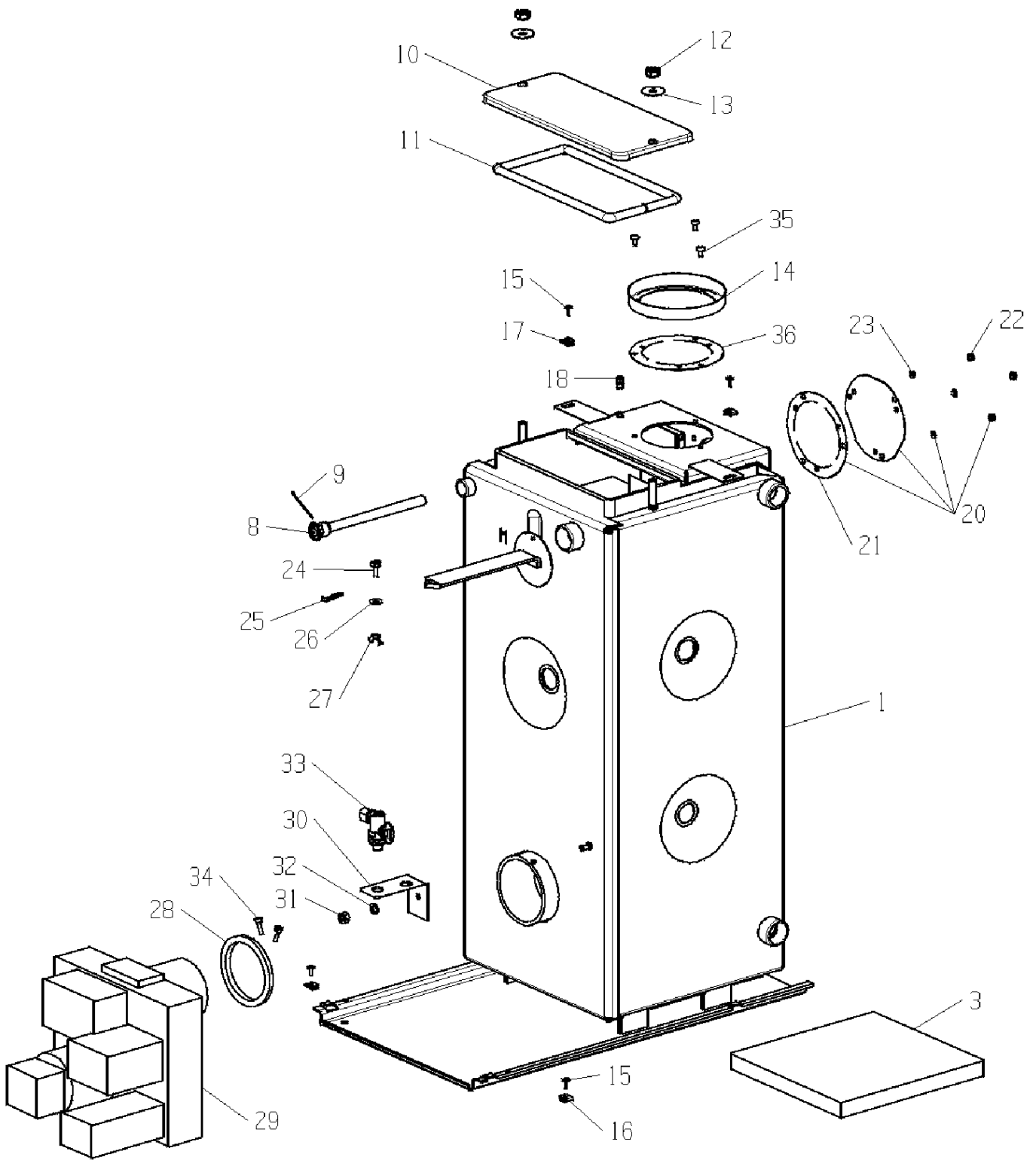
Casing  
D

20/25-000

1



Spare parts list



6720900251.AA

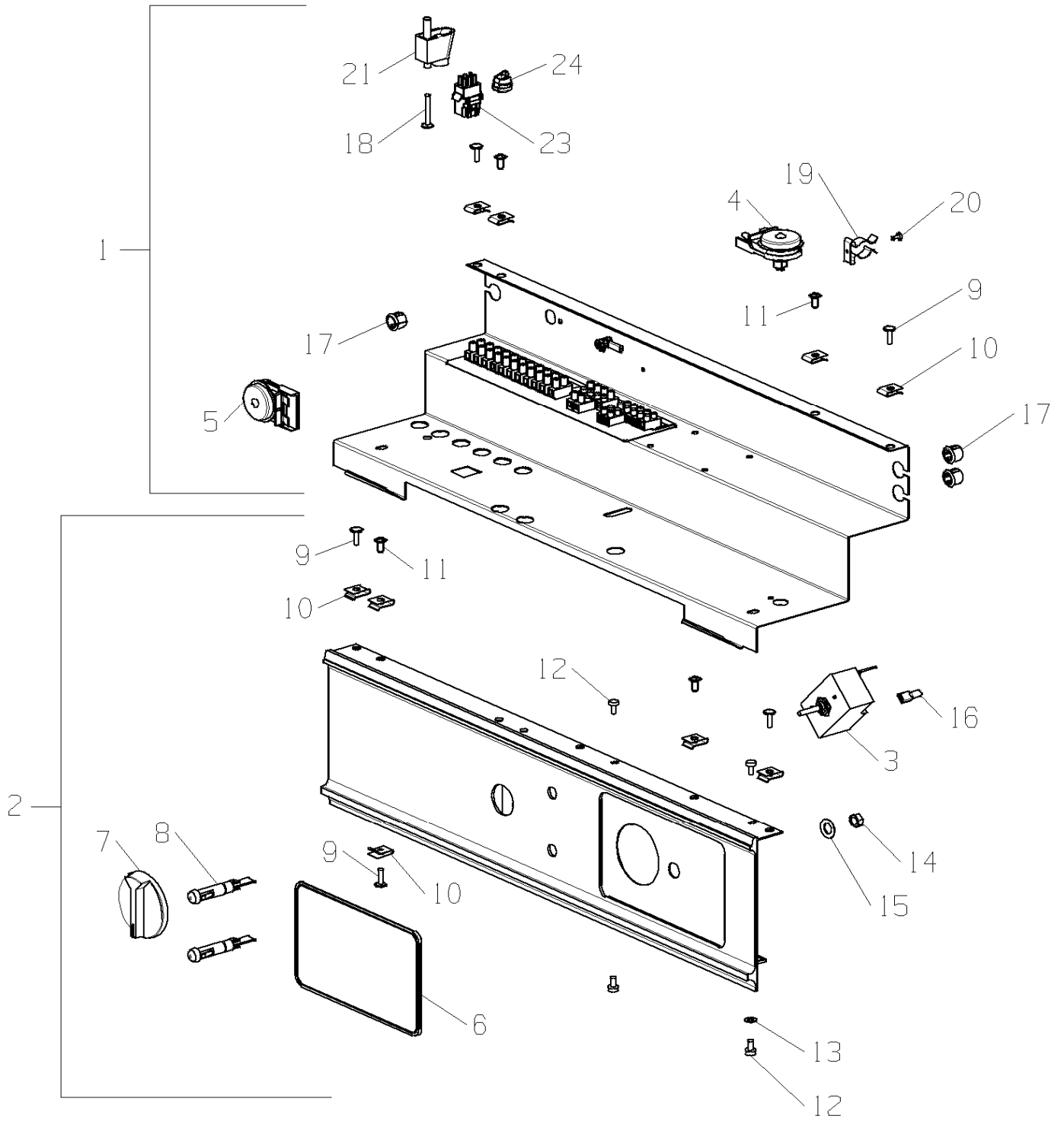
Heat exchanger  
D

20/25-000

2



# Spare parts list



6720900216.AA

Electrical Box Assembly  
D

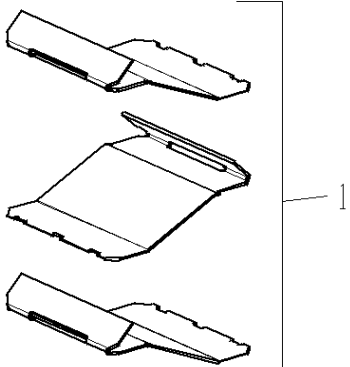
20/25-000

3

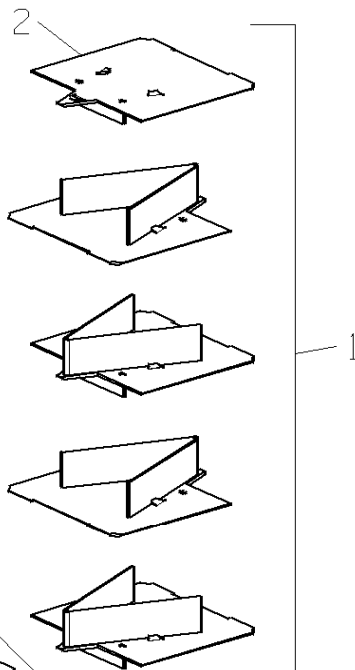




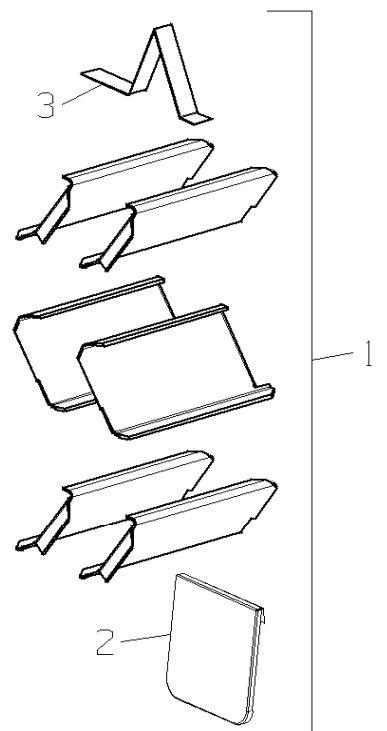
Spare parts list



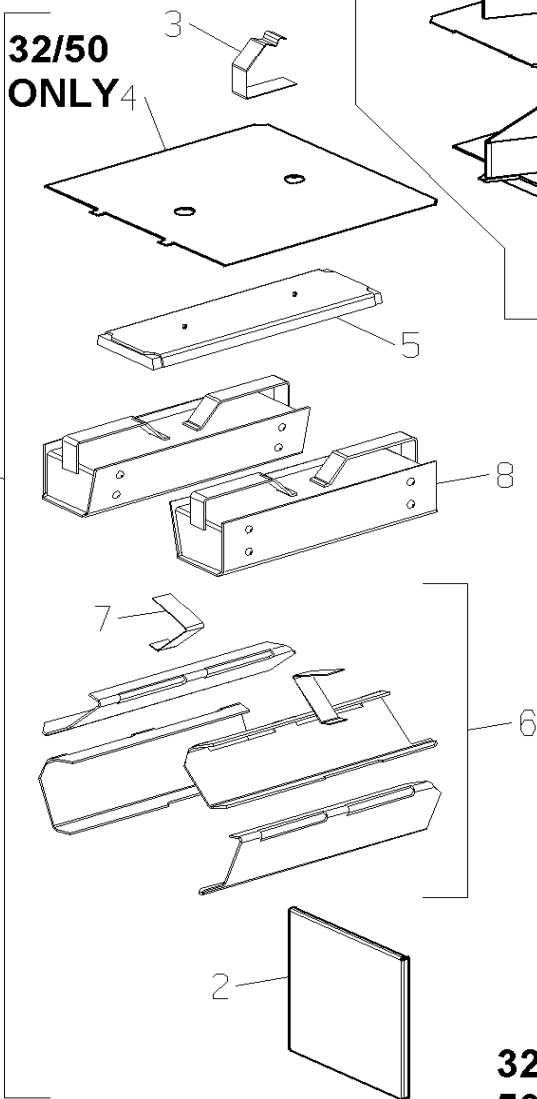
12/14



15/19

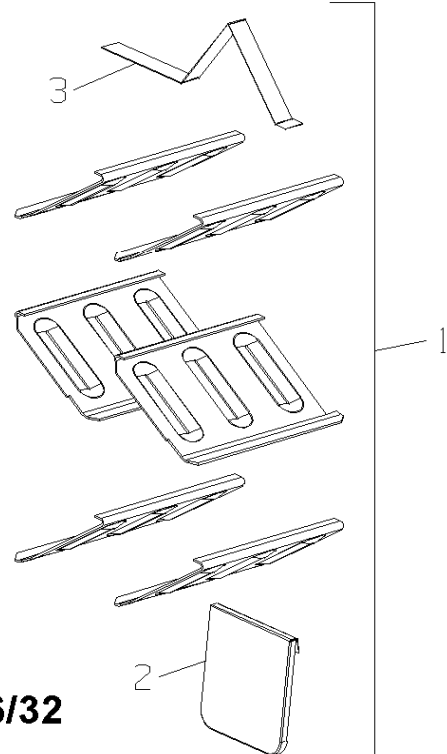


20/25



32/50  
50/70

26/32



6720900217.AA

Baffle  
D

4

20/25-000

Pos	description	S-Nr	ordering no.	PG	gas type	20/25-000													remarks
1	Baffle set x6 20-25		8 716 104 685 0			■													
2	Target plate		8 716 100 235 0			■													
3	Baffle retainer		8 716 100 223 0			■													
	12/19rear flue blanking kit		7 716 192 122 0			■													
<b>20/25-000</b>			<b>Baffle D</b>														<b>4</b>		

Drawing not  
currently  
available

Pos	description	S-Nr	ordering no.	PG	gas type														remarks
	Baffle set x6 20-25		8 716 104 685 0			■													
	Burner b11c assembly		8 716 105 307 0			■													
	Nipple 1/4" coNical x 1/4" coNical		8 716 140 554 0			■													
	AEG(fhp) 90w motor		8 716 142 732 0			■													
	Drive coupling - aeg(fhp) motor-b11,b20		8 716 142 734 0			■													
	Photocell & flange - satronic mz770		8 716 142 735 0			■													
	Pump bfp11i3 oil (left hand)		8 716 142 736 0			■													
	Coil solenoid valve bfp21i3		8 716 142 737 0	51		■													
	Cover nozzle assembly		8 716 142 748 0			■													
	Ignition cable 150mm		8 716 142 749 0			■													
	Fan wheel - b11		8 716 142 750 0			■													
	Nozzle assembly complete		8 716 142 751 0			■													
	Ignition electrode 11593701		8 716 142 752 0			■													
	Electrode holder		8 716 142 753 0			■													
	Air adjuster - b11		8 716 142 760 0			■													
	Cable transformer supply-(danfoss ebi)		8 716 142 761 0			■													
	Frame		8 716 142 762 0			■													
	Cover-frame		8 716 142 763 0			■													
	Air damper		8 716 142 764 0			■													
	Retaining bracket for transformer		8 716 142 765 0			■													
	Silencer complete		8 716 142 766 0			■													
	Fan housing - b11		8 716 142 768 0			■													
	Washer copper 1/4"		8 716 142 769 0			■													
	Pump nipple 0.25		8 716 142 770 0			■													
	Union nUt		8 716 142 773 0			■													
	Pressure gauge port		8 716 142 774 0			■													
	Plug pressure gauge port		8 716 142 775 0			■													
	Spring air damper		8 716 142 776 0			■													
	Pump armature for danfoss bfp		8 716 142 778 0			■													
	Relay base satronic tf 830 b		8 716 142 782 0			■													
	Blast tube -pl10/4/24/10 x 80mm		8 716 142 784 0			■													
	Nozzle danfoss 0.60 80 deg s		8 716 142 786 0			■													
	Air distributor collar-b11 010011706302		8 716 142 793 0			■													
	Lead for bfp11i3 oil pump		8 716 146 620 0			■													
	Control box satronic s01 TF832.3		8 716 156 648 0			■													
	Nozzle holder check valve danfoss		8 716 156 658 0			■													
	Flexible oil line		8 716 156 663 0			■													
	4uf capacitor for aeg(fhp) motor[+/-5%]		8 716 156 666 0			■													
	Nozzle danfoss 0.75 80 deg eh		8 716 156 667 0			■													
	Nozzle danfoss 0.60 80 deg eh		8 716 156 676 0			■													
	Transformer-danfoss ebi 052f0030		8 716 156 696 0			■													
	Rear cover plate grommet		8 716 157 011 0			■													
	Motor cable - aeg(fhp)		8 716 157 012 0			■													
	Pipe - two conversion Screw - danfoss		8 716 157 015 0			■													
	Nozzle holder		8 716 157 030 0			■													
	Washer-crush pressure gauge manifold to.		8 716 157 031 0			■													
	Pipe - nozzle connecting - bfp11 pump to		8 716 157 032 0			■													
	Control box base-satronic		8 716 157 042 0			■													
<b>20/25-000</b>			20/25-B11 drawing D															<b>7</b>	

**ADDITIONAL SPARE PARTS  
FOR APPLIANCE  
NOT DRAWN**

9099

6720900999.AA

Additional Spare Part  
D

**9**

20/25-000

Pos	description	S-Nr	ordering no.	PG	gas type																	remarks
	Danesmoor cf/rs installation instruction		8 716 104 436 0			20/25-000																
	Literature Pack - D/moor 12-70/000		8 716 104 496 0																			
	Flue blanking plate		8 716 120 641 0																			
	D/moor kitchen user manual		8 716 145 136 0																			
<b>20/25-000</b>		Additional Spare Part D																			<b>9</b>	

**List of translations**

Pos			
1			
2			
3			
4			
5			
6			
7			
8			
9			
10			
11			
12			
13			
<b>2</b>			
1			
3			
8			
9			
10			
11			
12			
13			
14			
15			
16			
17			
18			
20			
21			
22			
23			
24			
25			
26			
27			
28			
29			
30			
31			
32			
33			
34			
35			
36			
<b>3</b>			
1			
2			
3			
4			
5			
6			
7			
8			
9			
Pos			





**Types of appliances**

Appliance	ordering no.	Country remarks
<b>DANESMOOR 20/25-000-GB OIL BLR</b>	<b>7 716 100 078</b>	<b>United Kingdom</b>







