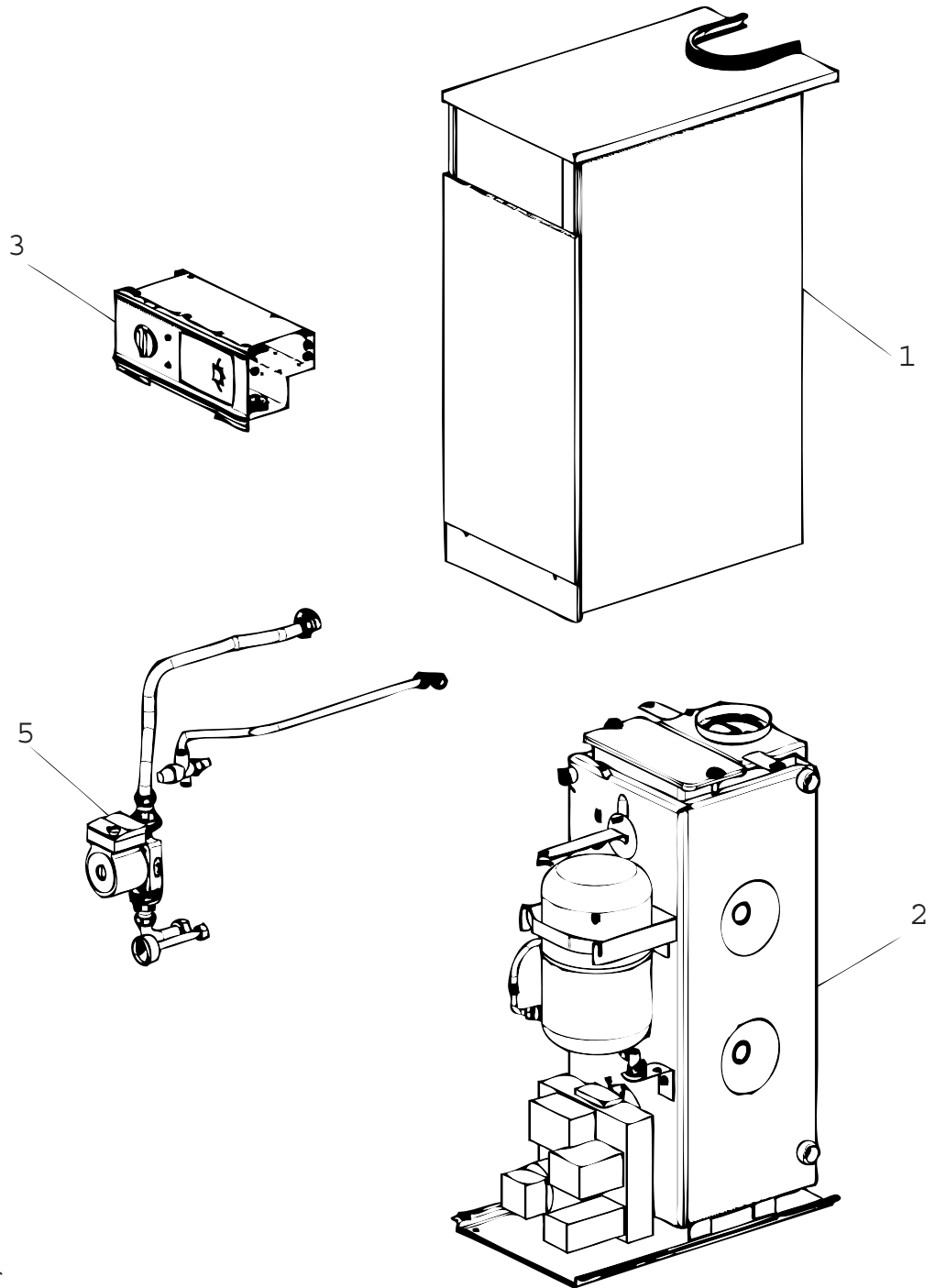


# DANESMOOR 15/19-OSO-GB OIL SYS



- 4 Baffles
- 7 12/14 ~~Er~~
- 7A 15/19 ~~Er~~
- 7B 20/25 ~~Er~~

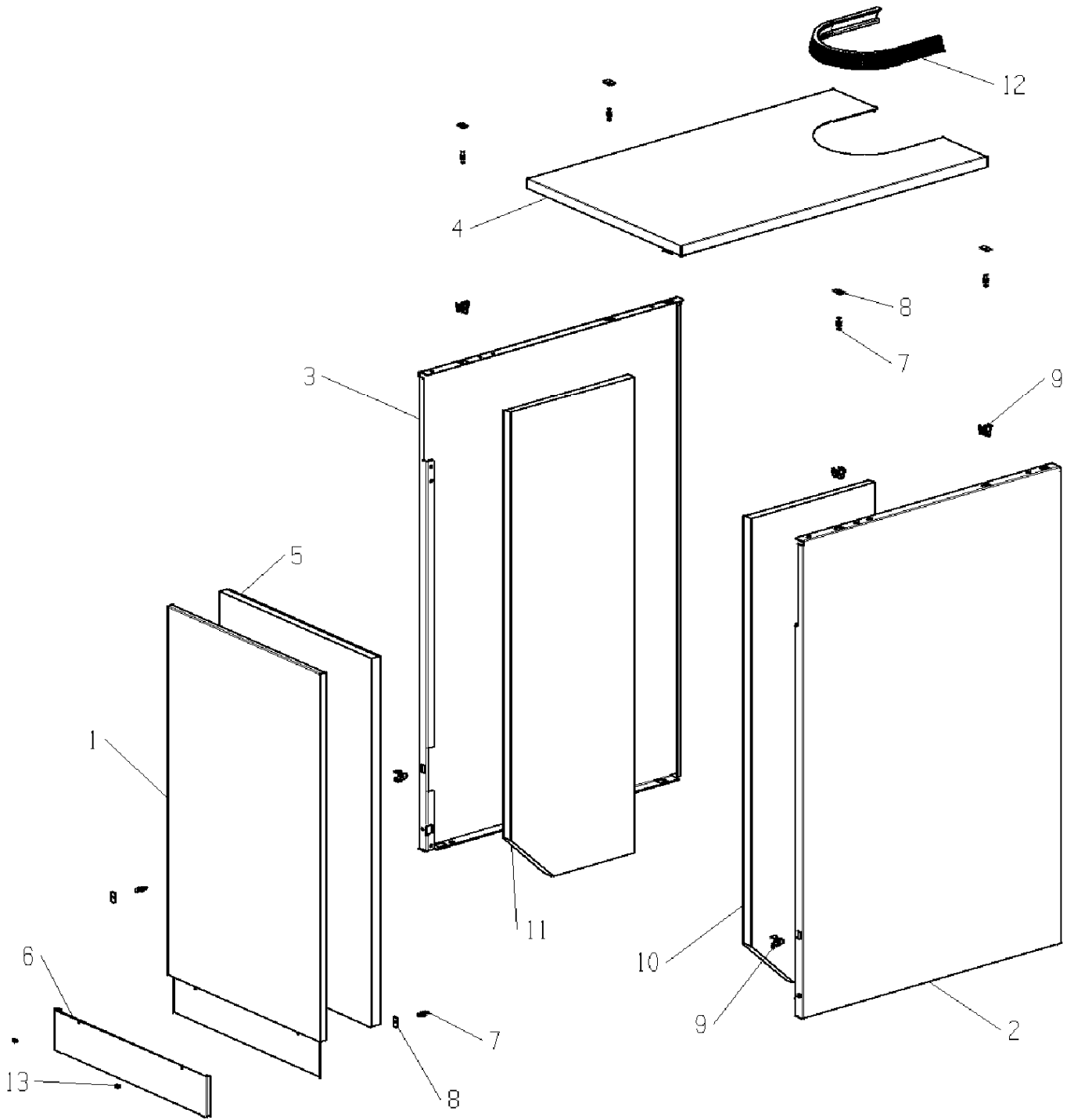
9 Additional parts

6720900252.AA





Spare parts list



6720900253.AA

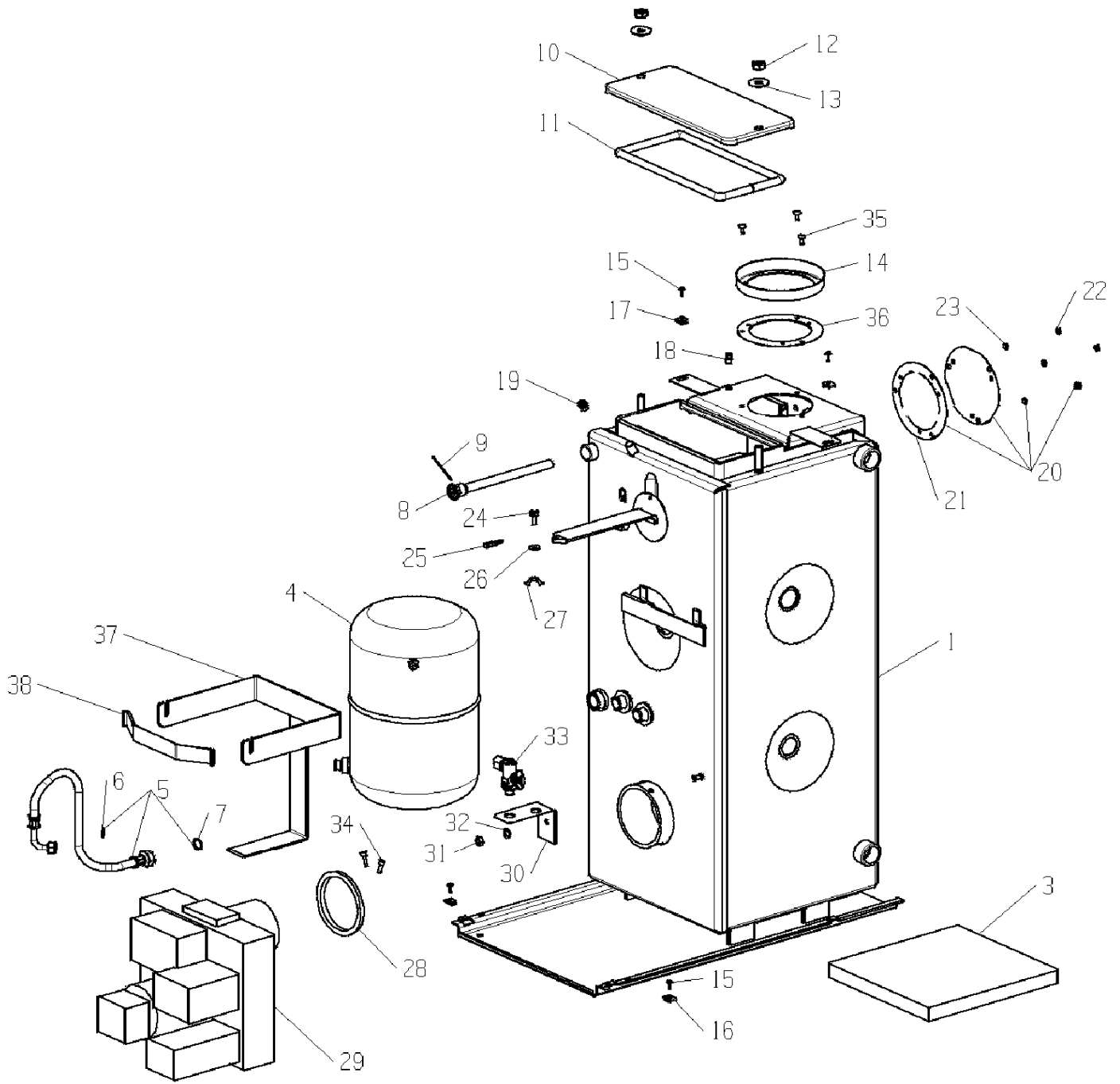
Casing  
D

15/19-OSO

1

Pos	description	S-Nr	ordering no.	PG	gas type	15/19-OSO														remarks
1	Cabinet front panel assembly		8 716 120 387 0			■														
2	Cabinet side panel assembly rh		8 716 120 258 0			■														
3	Cabinet side panel assembly lh		8 716 120 458 0			■														
4	Top panel assembly (pjsb 20-25)		8 716 120 722 0			■														
5	Front panel insulation		8 716 100 446 0			■														
6	Kickstrip		8 716 100 208 0			■														
7	Stud 2ba brass ball new design		8 716 140 512 0	08		■														
8	Nut 2ba flat black m/s		8 716 155 002 0	05		■														
9	Clip - spring ref mfo319 soft (5 pack)		8 716 140 513 0	04		■														
10	Side panel insulation-rh		8 716 100 327 0			■														
11	Side panel insulation-lh		8 716 101 087 0			■														
12	Embellishment - flue (422mm)		8 716 148 106 0			■														
13	Black nylon snap rivet		8 716 155 039 0			■														
	Top panel blanking plate assy		8 716 120 679 0			■														
<b>15/19-OSO</b>		Casing D																		<b>1</b>

Spare parts list



6720900254.AA

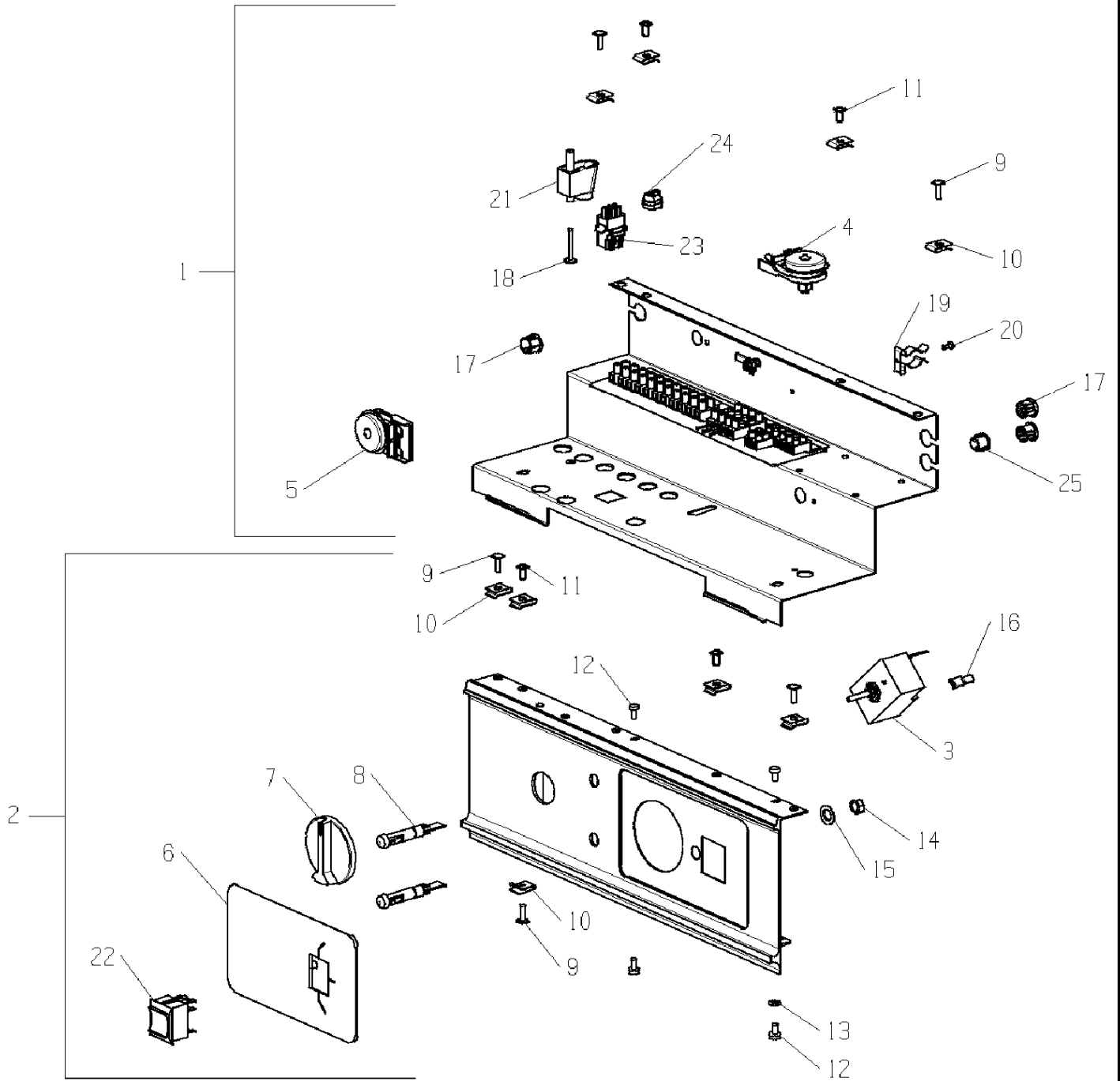
Heat exchanger  
D

15/19-OSO

2

Pos	description	S-Nr	ordering no.	PG	gas type	15/19-OSO												remarks
1	Heat exchanger assembly oso 15-19		8 716 121 402 0			■												
3	Heat exchanger base insulation		8 716 142 243 0			■												
4	Expansion vessel 10l		8 716 142 504 0			■												
5	Flexible hose c/w Washers		8 716 140 507 0			■												
6	Washer fibre 15.0 x 10.0 x 1.0		8 716 140 921 0	12		■												
7	Washer 18.6 X 13.5 X 1.5 (10x)		8 710 103 045 0	11		■												
7	Washer 18.6 x 13.5 x 1.5 (1x)		8 716 115 680 0			■												
8	Thermostat pocket		8 716 105 360 0			■												
9	Steel split pin 45mm x 1.5mm		8 716 155 047 0			■												
10	Access lid assembly		8 716 120 261 0			■												
11	Rope-thermoseal type4 13mm dia		8 716 140 903 0			■												
12	Nut M10		2 915 011 010 0			■												
13	Washer M10		2 916 011 896 0			■												
14	4" flue ring kit		8 716 101 104 0			■												
15	Screw no.8x1/2 f/h type b self tap.		2 912 421 225 0	16		■												
16	Nut Captive No:8		8 716 148 204 0	16		■												
17	No 8 open captive nut - bronze		8 716 140 514 0			■												
18	Plug 1/8 Plain solid		8 716 140 117 0			■												
19	Air vent 1/8 bsp		8 716 140 238 0	12		■												
20	flue blanking plate kit		8 716 101 107 0			■												
21	Gasket		8 716 140 736 0			■												
22	Nut M5 Full Hex Z/P M/S		2 915 011 006 0	10		■												
23	Washer m5 flat		2 916 011 012 0			■												
24	Screw 1/4 x 5/8 hex head set		8 716 140 508 0			■												
25	Thermoplastic rubber plug		8 716 140 511 0			■												
26	Washer 5/16" x 1.2mm thk		8 716 140 509 0			■												
27	Nut 1/4" wing chrome plated		8 716 140 510 0			■												
28	Gasket burner seal		8 716 140 902 0			■												
29	Burner 15/19 6-way assembly		8 716 105 305 0			■												
30	Bulkhead mounting bracket		8 716 100 958 0			■												
31	Nut m8 full hex m/s zc pl		2 915 011 009 0	18		■												
32	Washer 6mm id flat z/p m/s		2 916 011 014 0			■												
33	Valve 1/4 bsp iso. bulk hea		8 716 142 423 0			■												
34	Screw m6 x 16mm skt hd cap Scr black		2 910 145 197 0			■												
35	Screw m6x10mm bzp slt p/h m/s		2 910 001 191 0			■												
36	Gasket flue ring		8 716 142 226 0			■												
37	Expansion vessel support assy		8 716 120 262 0			■												
38	Retaining bar assembly		8 716 120 264 0			■												
	Insulation jacket assy		8 716 120 194 0			■												
15/19-OSO			Heat exchanger D														2	

# Spare parts list



6720900256.AA

Electrical Box Assembly  
D

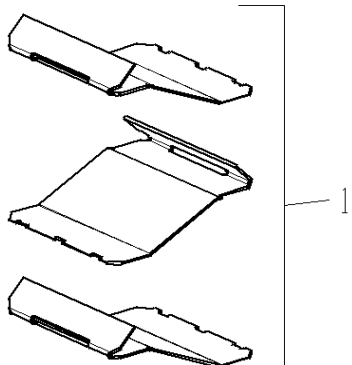
15/19-OSO

**3**

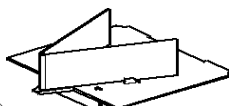
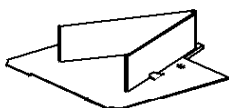
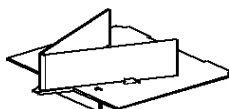
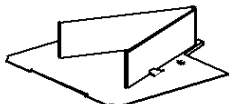
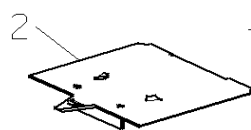




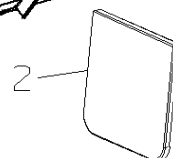
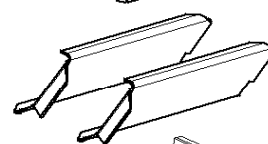
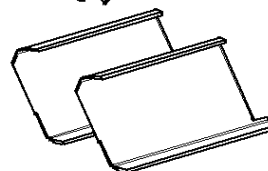
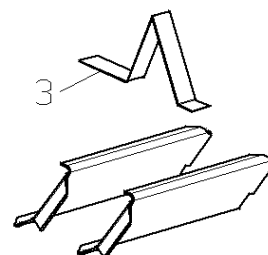
Spare parts list



12/14

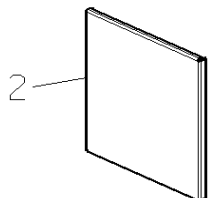
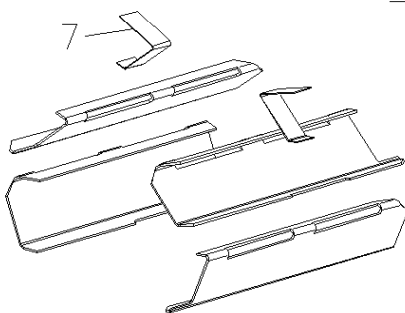
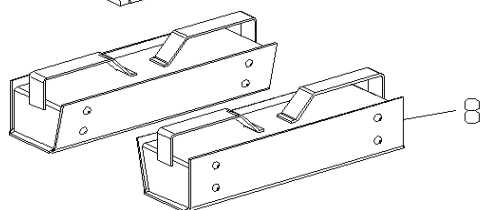
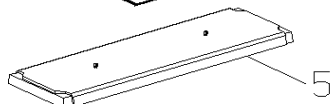
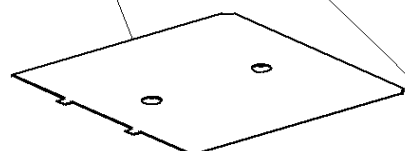
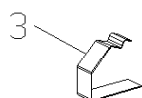


15/19



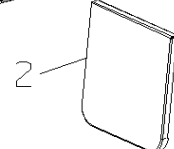
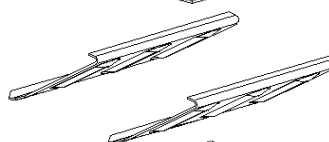
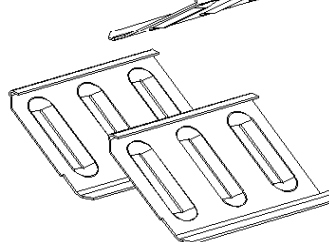
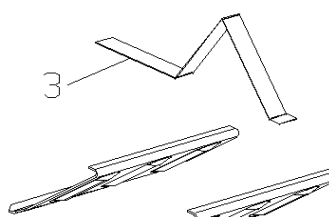
20/25

32/50  
ONLY



32/50  
50/70

26/32



6720900217.AA

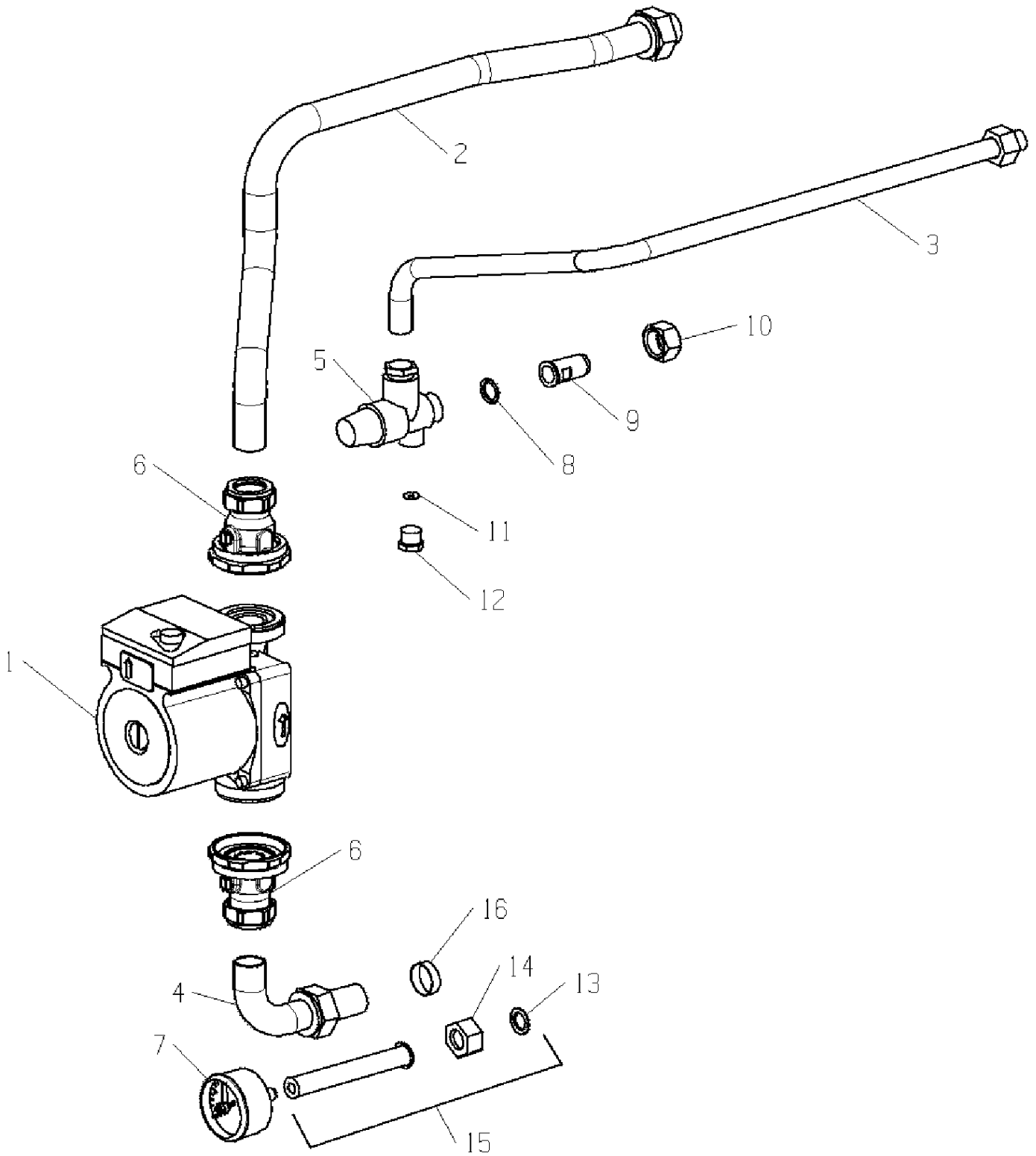
Baffle  
D

4

15/19-OSO



Spare parts list



6720900248.AA

Pump/Hydraulic valve  
D

15/19-OSO

5

Pos	description	S-Nr	ordering no.	PG	gas type	15/19-OSO															remarks
1	Standard 15/60 Pump Head		8 716 113 594 0			■															
1	Pump UPS 15-60 12 OCL(50526639)		8 716 143 105 0	50		■															
2	Pipe - central heating flow		8 716 100 292 0			■															
3	Pipe - pressure relief		8 716 100 568 0			■															
4	Pipe - heat exchanger to pump		8 716 100 171 0			■															
5	Valve pr.rel.1/2 x15mmx1/8		8 716 142 416 0	37		■															
6	Valve 22mm x 1-1/2		8 716 142 417 0			■															
7	Gauge pres.50mmx1/8back 4bar		8 716 142 358 0			■															
8	Washer 15mm (thick)		8 716 140 917 0			■															
9	G 3/8 tail		8 716 140 233 0			■															
10	Nut g1/2		8 716 140 236 0			■															
11	Washer		8 716 140 912 0	02		■															
12	Brass blanking plug		8 716 140 261 0			■															
13	Washer 18.6 X 13.5 X 1.5 (10x)		8 710 103 045 0	11		■															
13	Washer 18.6 x 13.5 x 1.5 (1x)		8 716 115 680 0			■															
14	Nut cap 15mm		8 716 140 284 0			■															
15	Pressure gauge fitting		8 716 140 214 0			■															
16	Ring-compression 22mm		8 716 140 296 0			■															
<b>15/19-OSO</b>			Pump/Hydraulic valve D														<b>5</b>				

Drawing not  
currently  
available

15/19-B9B drawing  
D

7

15/19-OSO

Pos	description	S-Nr	ordering no.	PG	gas type	15/19-OSO													remarks
	FLAT TUBING 120MM WIDE X 75MU		7 181 W00 215			■													
	Burner 15/19 6-way assembly		8 716 105 305 0			■													
	Nipple 1/4" coNical x 1/4" coNical		8 716 140 554 0			■													
	Photocell & flange - satronic mz770		8 716 142 735 0			■													
	Pump bfp1113 oil (left hand)		8 716 142 736 0			■													
	Coil solenoid valve bfp2113		8 716 142 737 0	51		■													
	Pump bfp4113 oil ref 071n0224		8 716 142 743 0			■													
	Ignition electrode 11593701		8 716 142 752 0			■													
	Electrode holder		8 716 142 753 0			■													
	Cable transformer supply-(danfoss ebi)		8 716 142 761 0			■													
	Washer copper 1/4"		8 716 142 769 0			■													
	Pump nipple 0.25		8 716 142 770 0			■													
	Pump armature for danfoss bfp		8 716 142 778 0			■													
	Relay base satronic tf 830 b		8 716 142 782 0			■													
	Pipe - oil Pipe - bfp41 pump to b9		8 716 142 785 0			■													
	Lead for bfp1113 oil pump		8 716 146 620 0			■													
	Impellor for b9 burner 12/14 - 15/19		8 716 156 501 0			■													
	AEG (fhp) 70w motor for b9 burner		8 716 156 597 0			■													
	Drive coupling for aeg(fhp) 70w motor-b9		8 716 156 602 0			■													
	Control box satronic s01 TF832.3		8 716 156 648 0			■													
	Nozzle holder check valve danfoss		8 716 156 658 0			■													
	Flexible oil line		8 716 156 663 0			■													
	3 uf capacitor for aeg motor [ +/-5%]		8 716 156 665 0			■													
	Nozzle danfoss 0.55 80 deg eh		8 716 156 671 0			■													
	Nozzle danfoss 0.50 60 deg es		8 716 156 673 0			■													
	Nozzle danfoss 0.60 60 deg es		8 716 156 680 0			■													
	Nozzle danfoss 0.50 80 deg s		8 716 156 681 0			■													
	Satronic mz770s photocell lead only		8 716 156 691 0			■													
	Satronic mz770s photcell c/w flange&lead		8 716 156 692 0			■													
	Transformer-danfoss ebi 052f0030		8 716 156 696 0			■													
	Blast tube pl6/7/21.5/10 x 80mm		8 716 156 697 0			■													
	Rear cover plate grommet		8 716 157 011 0			■													
	Motor cable - aeg(fhp)		8 716 157 012 0			■													
	Control box base-satronic		8 716 157 042 0			■													
15/19-OSO			15/19-B9B drawing D															7	

**ADDITIONAL SPARE PARTS  
FOR APPLIANCE  
NOT DRAWN**

9099

6720900999.AA

Additional Spare Part  
D

**9**

15/19-OSO



Pos	description	S-Nr	ordering no.	PG	gas type																	remarks
	Literature Pack - D/moor 12-25/OSO		8 716 104 494 0			■	15/19-OSO															
<b>15/19-OSO</b>		Additional Spare Part D																			<b>9</b>	

**List of translations**

Pos			
1			
2			
3			
4			
5			
6			
7			
8			
9			
10			
11			
12			
13			
<b>2</b>			
1			
3			
4			
5			
6			
7			
8			
9			
10			
11			
12			
13			
14			
15			
16			
17			
18			
19			
20			
21			
22			
23			
24			
25			
26			
27			
28			
29			
30			
31			
32			
33			
34			
35			
36			
37			
38			
<b>3</b>			
1			
2			
Pos			

**List of translations**

3				
4				
5				
6				
7				
8				
9				
10				
11				
12				
13				
14				
15				
17				
18				
19				
20				
21				
22				
23				
24				
<b>4</b>				
1				
2				
<b>5</b>				
1				
2				
3				
4				
5				
6				
7				
8				
9				
10				
11				
12				
13				
14				
15				
16				
<b>7</b>				
Pos				
<b>9</b>				

**Types of appliances**

Appliance	ordering no.	Country	remarks
<b>DANESMOOR 15/19-OSO-GB OIL SYS</b>	7 716 100 030	United Kingdom	



