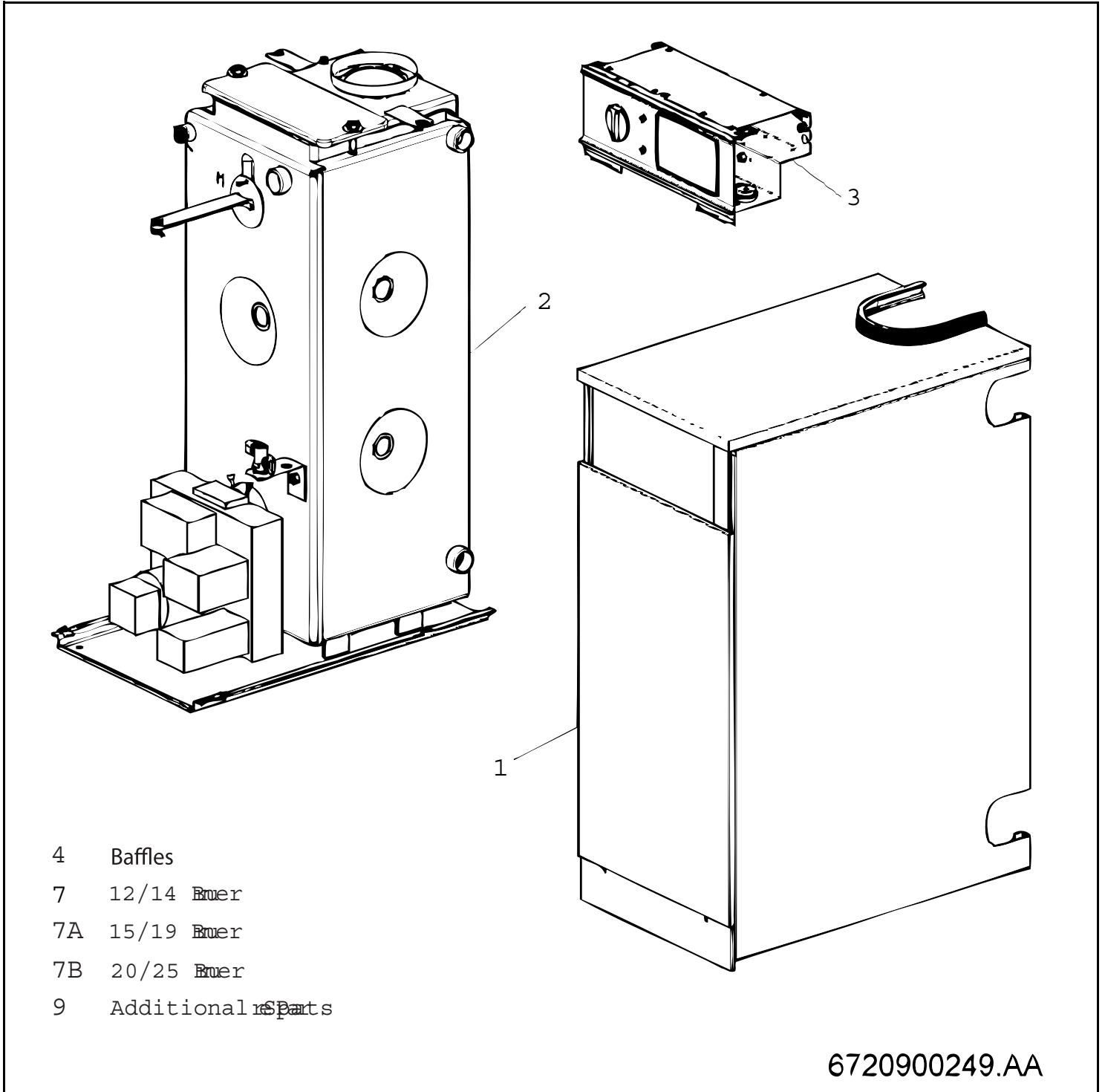
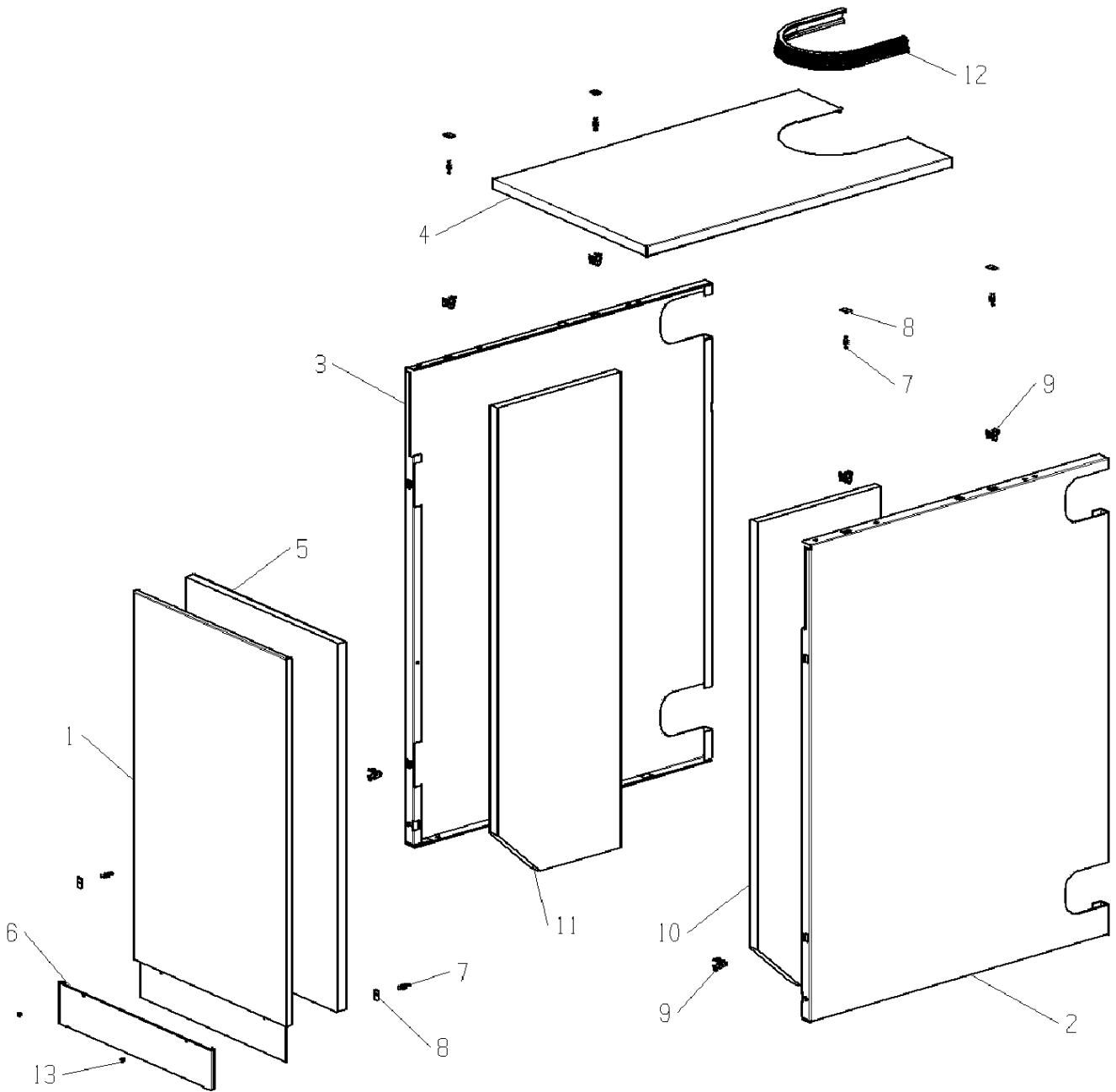


DANESMOOR 15/19-000



Spare parts list



6720900250.AA

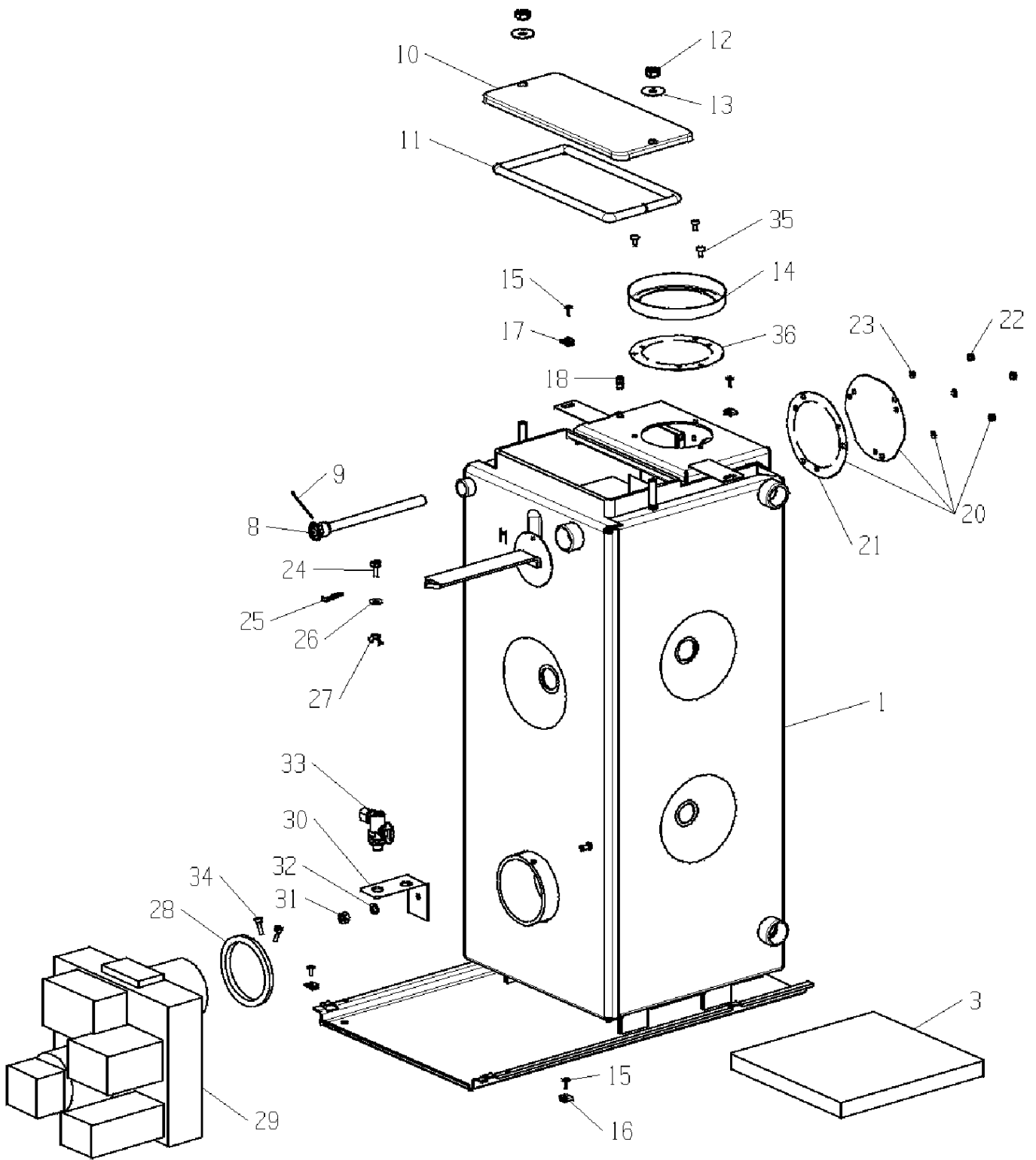
Casing
D

15/19-000

1

Pos	description	S-Nr	ordering no.	PG	gas type	15/19-000															remarks
1	Cabinet front panel assembly		8 716 120 387 0			■															
2	Cabinet side panel assembly rh		8 716 120 755 0			■															
3	Cabinet side panel assembly lh		8 716 120 756 0			■															
4	Top panel assembly (pjsb 20-25)		8 716 120 722 0			■															
5	Front panel insulation		8 716 100 446 0			■															
6	Kickstrip		8 716 100 208 0			■															
7	Stud 2ba brass ball new design		8 716 140 512 0	08		■															
8	Nut 2ba flat black m/s		8 716 155 002 0	05		■															
9	Clip - spring ref mfo319 soft (5 pack)		8 716 140 513 0	04		■															
10	Side panel insulation-rh		8 716 100 327 0			■															
11	Side panel insulation-lh		8 716 101 087 0			■															
12	Embellishment - flue (422mm)		8 716 148 106 0			■															
13	Black nylon snap rivet		8 716 155 039 0			■															
	Top panel blanking plate assy		8 716 120 679 0			■															
15/19-000		Casing D																			1

Spare parts list



6720900251.AA

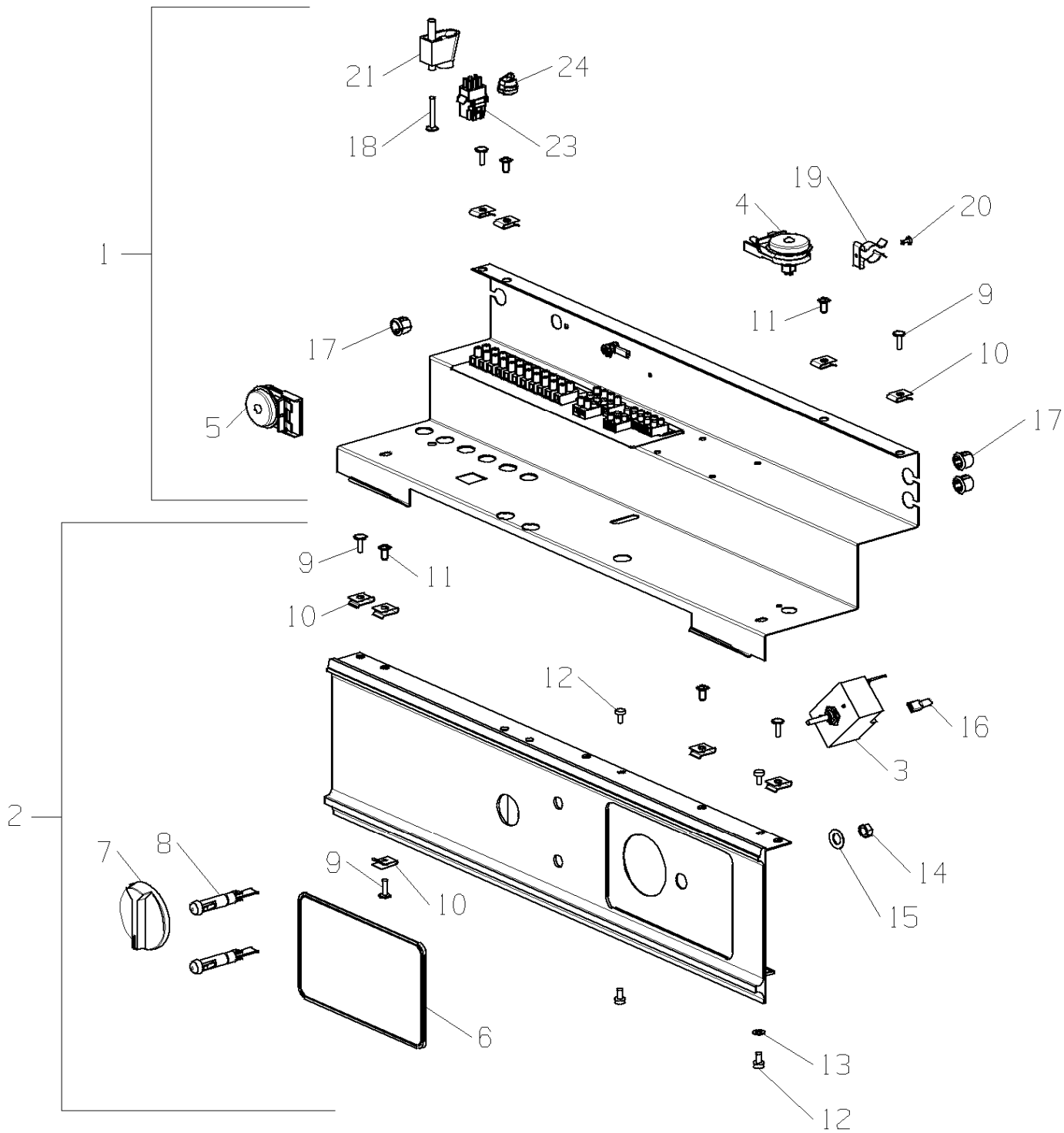
Heat exchanger
D

15/19-000

2

Pos	description	S-Nr	ordering no.	PG	gas type																	remarks
1	PJ15/19-ooo heat exchanger spare assy.		8 716 121 364 0			■																
3	Heat exchanger base insulation		8 716 142 243 0			■																
8	Thermostat pocket		8 716 105 360 0			■																
9	Steel split pin 45mm x 1.5mm		8 716 155 047 0			■																
10	Access lid assembly		8 716 120 261 0			■																
11	Rope-thermoseal type4 13mm dia		8 716 140 903 0			■																
12	Nut M10		2 915 011 010 0			■																
13	Washer M10		2 916 011 896 0			■																
14	4" flue ring kit		8 716 101 104 0			■																
15	Screw no.8x1/2 f/h type b self tap.		2 912 421 225 0	16		■																
16	Nut Captive No:8		8 716 148 204 0	16		■																
17	No 8 open captive nut - bronze		8 716 140 514 0			■																
18	Plug 1/8 Plain solid		8 716 140 117 0			■																
20	flue blanking plate kit		8 716 101 107 0			■																
21	Gasket		8 716 140 736 0			■																
22	Nut M5 Full Hex Z/P M/S		2 915 011 006 0	10		■																
23	Washer m5 flat		2 916 011 012 0			■																
24	Screw 1/4 x 5/8 hex head set		8 716 140 508 0			■																
25	Thermoplastic rubber plug		8 716 140 511 0			■																
26	Washer m8 form a ms zinc plate		2 916 011 015 0			■																
27	Nut 1/4" wing chrome plated		8 716 140 510 0			■																
28	Gasket burner seal		8 716 140 902 0			■																
29	Burner 15/19 6-way assembly		8 716 105 305 0			■																
30	Bulkhead mounting bracket		8 716 100 958 0			■																
31	Nut m8 full hex m/s zc pl		2 915 011 009 0	18		■																
32	Washer 6mm id flat z/p m/s		2 916 011 014 0			■																
33	Valve 1/4 bsp iso. bulk hea		8 716 142 423 0			■																
34	Screw machine m6x16mm slotted		2 910 091 197 0			■																
35	Screw m6x10mm bzp slt p/h m/s		2 910 001 191 0			■																
36	Gasket flue ring		8 716 142 226 0			■																
	Insulation jacket		8 716 121 087 0			■																
15/19-000			Heat exchanger D													2						

Spare parts list



6720900216.AA

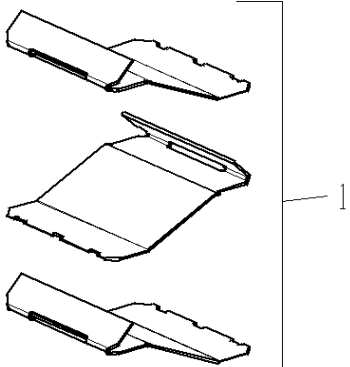
Electrical Box Assembly
D

15/19-000

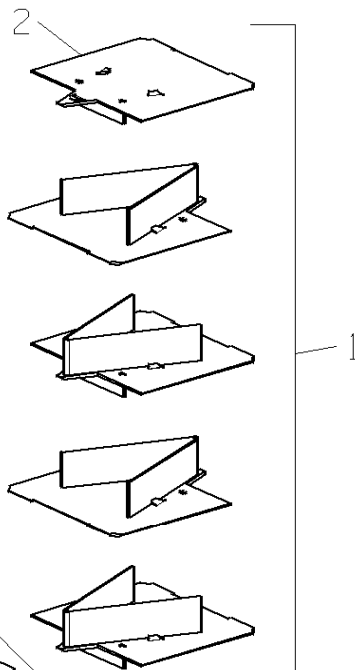
3

Pos	description	S-Nr	ordering no.	PG	gas type	15/19-000													remarks
1	Control box assembly		8 716 121 432 0			■													
2	Facia assembly slpj 15/19		8 716 121 436 0			■													
3	Flow thermostat		8 716 142 309 0	45		■													
4	Thermostat manual reset 900mm capillary		8 716 142 392 0			■													
5	T/stat high limit I07-p1022		8 716 142 311 0			■													
6	Facia pj blanking plate		8 716 148 124 0			■													
7	Knob control green-grey		8 716 141 087 0			■													
8	Neon indicator red		8 716 146 000 0			■													
9	Screw no.8x1/2 f/h type b self tap.		2 912 421 225 0	16		■													
10	Nut Captive No:8		8 716 148 204 0	16		■													
11	Screw no.8 x 3/8" b pozi f/hd s/ta		2 912 421 224 0			■													
12	Screw m4x8mm taptite zc pl p/h		2 914 411 412 0	03		■													
13	Washer m4 flat z/p m/s		2 916 011 010 0			■													
14	Nut m6 full hex z/p m/s		2 915 011 007 0			■													
15	Washer m8 form a ms zinc plate		2 916 011 015 0			■													
17	Grommet nylon open-close		8 716 141 050 0	09		■													
18	Screw no.6x1" type b zp p/h st Sc		2 912 421 215 0			■													
19	Clip - tool 1/2"		8 716 155 038 0			■													
20	Screw m3x6mm zc pl p/h taptite		2 914 411 411 0	18		■													
21	Clamp cable type kb2 insuloid		8 716 141 101 0			■													
23	Harness-recept. to indicators		8 716 120 210 0			■													
24	Cord strain relief Bush		8 716 141 102 0	14		■													
	Harness 6 Way		8 716 105 271 0			■													
	Harness-recept. to indicators		8 716 120 210 0			■													
	Post purge unit		8 716 146 308 0			■													
15/19-000			Electrical Box Assembly D																3

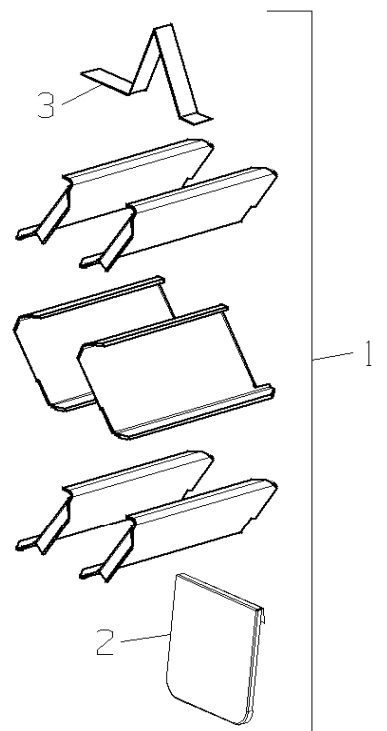
Spare parts list



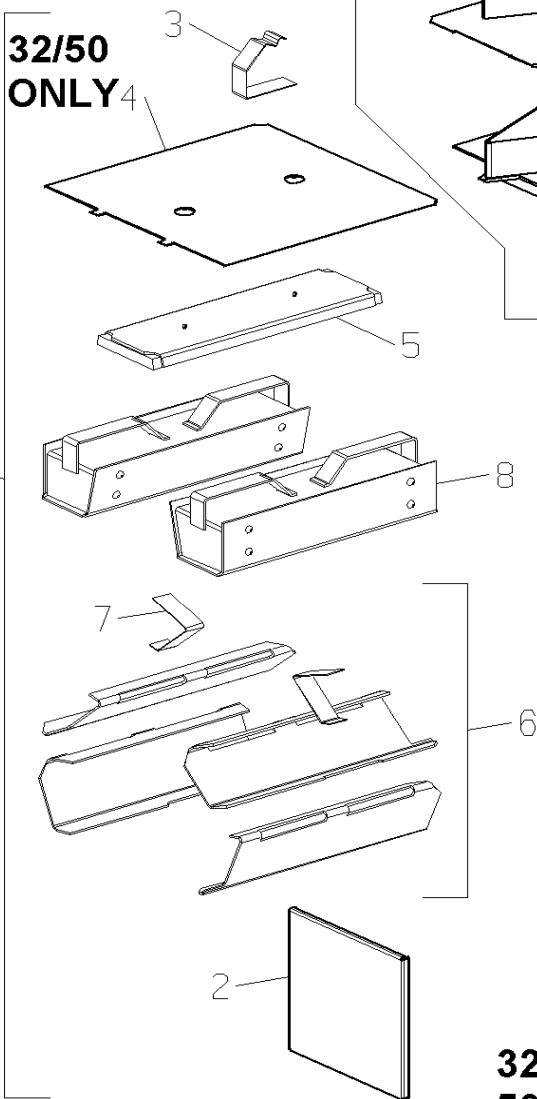
12/14



15/19



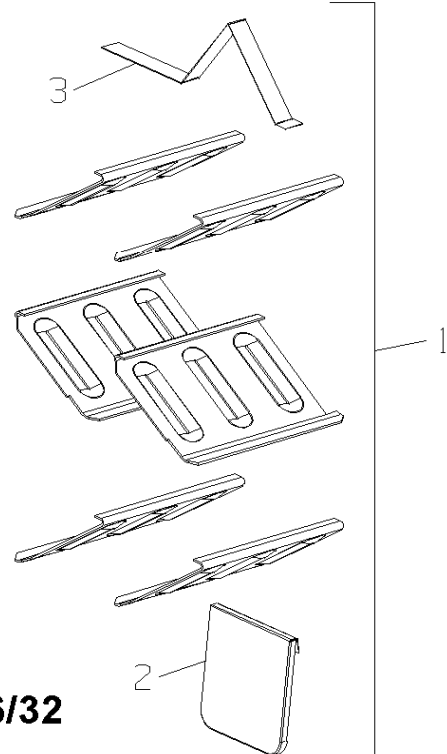
20/25



**32/50
ONLY**

**32/50
50/70**

26/32



6720900217.AA

Baffle
D

4

15/19-000

Drawing not
currently
available

15/19-B9B drawing
D

7

15/19-000

Pos	description	S-Nr	ordering no.	PG	gas type	15/19-000															remarks
	FLAT TUBING 120MM WIDE X 75MU		7 181 W00 215			■															
	Burner 15/19 6-way assembly		8 716 105 305 0			■															
	Nipple 1/4" coNical x 1/4" coNical		8 716 140 554 0			■															
	Photocell & flange - satronic mz770		8 716 142 735 0			■															
	Pump bfp1113 oil (left hand)		8 716 142 736 0			■															
	Coil solenoid valve bfp2113		8 716 142 737 0	51		■															
	Pump bfp4113 oil ref 071n0224		8 716 142 743 0			■															
	Ignition electrode 11593701		8 716 142 752 0			■															
	Electrode holder		8 716 142 753 0			■															
	Cable transformer supply-(danfoss ebi)		8 716 142 761 0			■															
	Washer copper 1/4"		8 716 142 769 0			■															
	Pump nipple 0.25		8 716 142 770 0			■															
	Pump armature for danfoss bfp		8 716 142 778 0			■															
	Relay base satronic tf 830 b		8 716 142 782 0			■															
	Pipe - oil Pipe - bfp41 pump to b9		8 716 142 785 0			■															
	Lead for bfp1113 oil pump		8 716 146 620 0			■															
	Impellor for b9 burner 12/14 - 15/19		8 716 156 501 0			■															
	AEG (fhp) 70w motor for b9 burner		8 716 156 597 0			■															
	Drive coupling for aeg(fhp) 70w motor-b9		8 716 156 602 0			■															
	Control box satronic s01 TF832.3		8 716 156 648 0			■															
	Nozzle holder check valve danfoss		8 716 156 658 0			■															
	Flexible oil line		8 716 156 663 0			■															
	3 uf capacitor for aeg motor [+/-5%]		8 716 156 665 0			■															
	Nozzle danfoss 0.55 80 deg eh		8 716 156 671 0			■															
	Nozzle danfoss 0.50 60 deg es		8 716 156 673 0			■															
	Nozzle danfoss 0.60 60 deg es		8 716 156 680 0			■															
	Nozzle danfoss 0.50 80 deg s		8 716 156 681 0			■															
	Satronic mz770s photocell lead only		8 716 156 691 0			■															
	Satronic mz770s photcell c/w flange&lead		8 716 156 692 0			■															
	Transformer-danfoss ebi 052f0030		8 716 156 696 0			■															
	Blast tube pl6/7/21.5/10 x 80mm		8 716 156 697 0			■															
	Rear cover plate grommet		8 716 157 011 0			■															
	Motor cable - aeg(fhp)		8 716 157 012 0			■															
	Control box base-satronic		8 716 157 042 0			■															
15/19-000			15/19-B9B drawing D															7			

**ADDITIONAL SPARE PARTS
FOR APPLIANCE
NOT DRAWN**

9099

6720900999.AA

Additional Spare Part
D

9

15/19-000

Pos	description	S-Nr	ordering no.	PG	gas type	15/19-000													remarks		
	Danesmoor cf/rs installation instruction		8 716 104 436 0			■															
	Literature Pack - D/moor 12-70/000		8 716 104 496 0			■															
	Flue blanking plate		8 716 120 641 0			■															
	D/moor kitchen user manual		8 716 145 136 0			■															
15/19-000			Additional Spare Part D																		9

List of translations

Pos			
1			
2			
3			
4			
5			
6			
7			
8			
9			
10			
11			
12			
13			
2			
1			
3			
8			
9			
10			
11			
12			
13			
14			
15			
16			
17			
18			
20			
21			
22			
23			
24			
25			
26			
27			
28			
29			
30			
31			
32			
33			
34			
35			
36			
3			
1			
2			
3			
4			
5			
6			
7			
8			
9			
Pos			

Types of appliances

Appliance	ordering no.	Country remarks
DANESMOOR 15/19-000-GB OIL BLR	7 716 100 029	United Kingdom

