

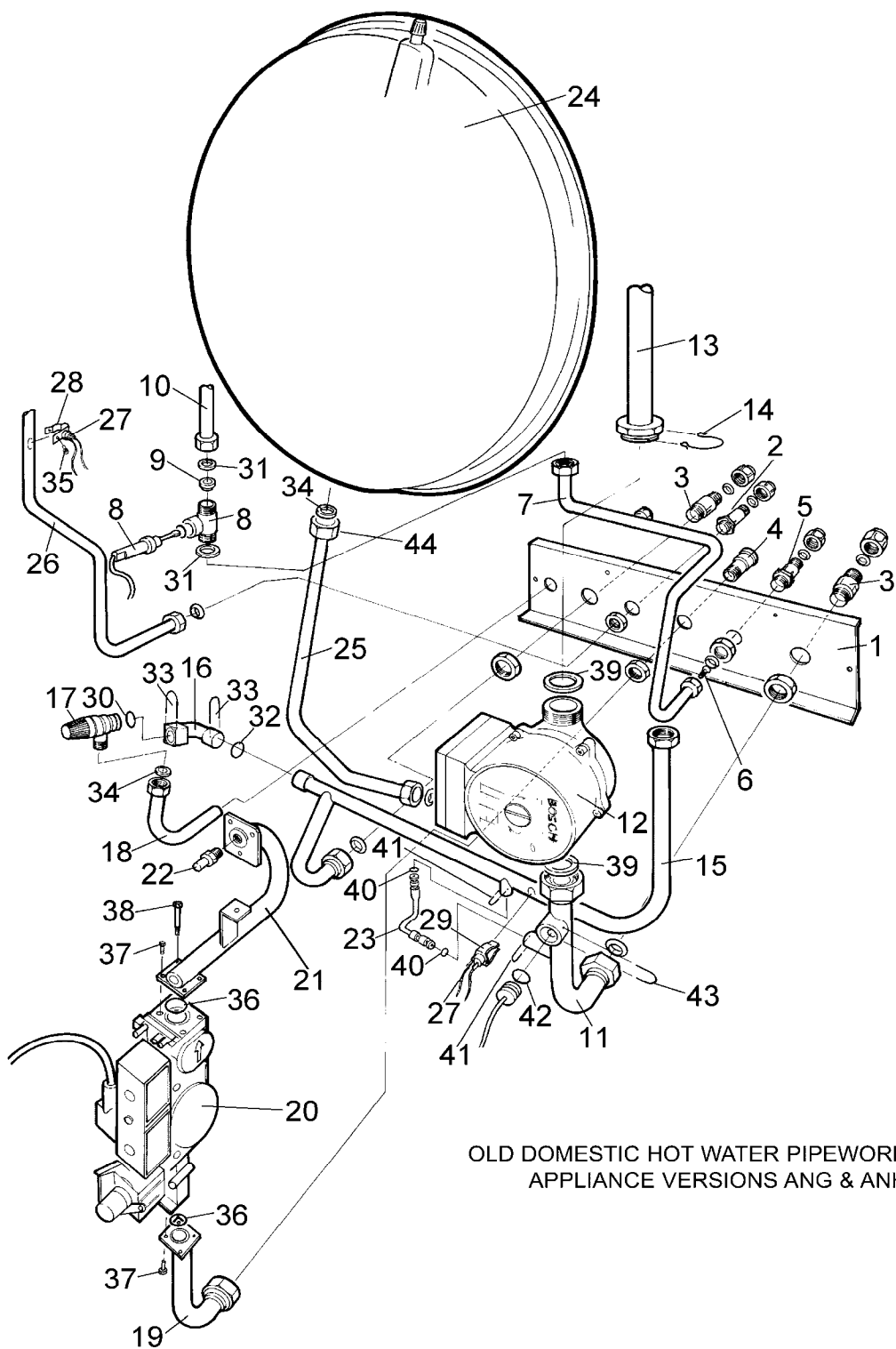
24I RSF



- 1 Pump & Hydraulic Ass (ANG,ANH)
- 1A Pump & Hydraulic Ass (ANX,ANY,APH,API)
- 1B Pump & Hydraulic Ass (ASI,ASJ,ARN,ARO)
- 2 Superstructure
- 3 Electrical Box Assy
- 4 Casing
- 9 Additional Spare Parts

6720900081.AA

Spare parts list



OLD DOMESTIC HOT WATER PIPEWORK
APPLIANCE VERSIONS ANG & ANH

6720900082.AA

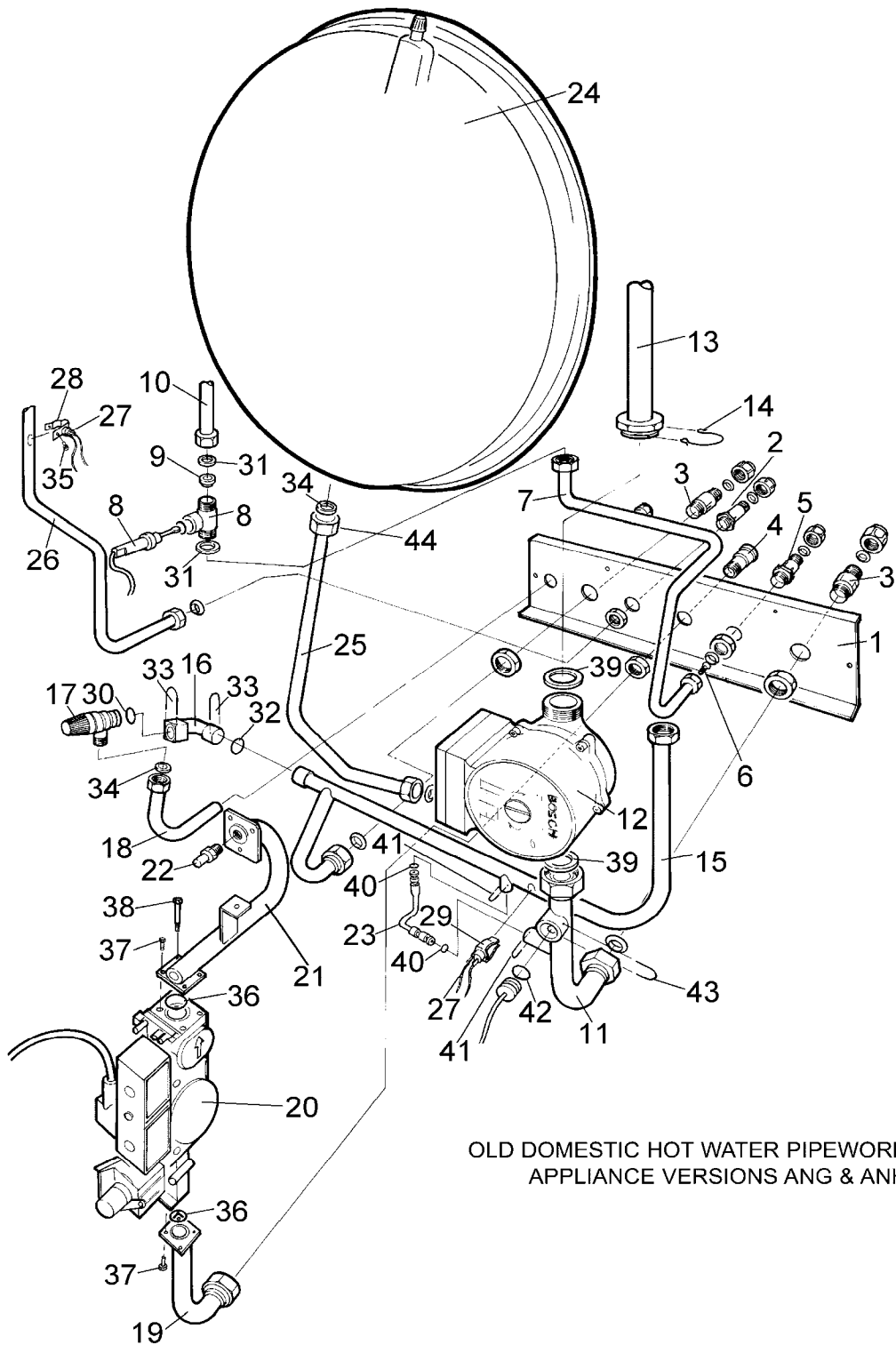
Pump / Hydraulic assy
D

24I-FSN

1

Pos	description	S-Nr	ordering no.	PG	gas type	24I-FSN												remarks
1	Service connection plate		8 716 100 266 0		NG	■												
2	Blkhd valve-15mm x 15mm		8 716 142 428 0		NG	■												
3	18-22mm isolating valve		8 716 142 410 0		NG	■												
4	Gas cock 1/2 bspt & g5/8 ma		8 716 142 424 0		NG	■												
5	Isolator valve 15mm-one c/nut		8 716 142 418 0		NG	■												
6	Gauze filter		8 716 148 401 0		NG	■												
7	Pipe - domestic hot water		7 716 192 240 0		NG	■												Version code:ANG and ANH
8	Harness & flow switch assembly		8 716 120 971 0		NG	■												
9	Flow reg type E-W 8L white with adaptor		8 716 141 052 0		NG	■												
10	Pipe - domestic hot water		7 716 192 240 0		NG	■												Version code:ANG and ANH
11	Pipe - pump inlet assembly		8 716 120 965 0		NG	■												ANG,ANH,ANX,ANY,APH,API
12	Standard 15/60 Pump Head		8 716 113 594 0		NG	■												
12	Pump grundfos 59506606		8 716 143 107 0		NG	■												
13	Pipe - pump outlet assembly		8 716 120 968 0		NG	■												
14	Clip - pump bulkhead		8 716 148 316 0		NG	■												
15	Pipe - primary flow		8 716 120 967 0		NG	■												ANG,ANH,ANX,ANY,APH,API
16	Pressure relief connector		8 716 141 053 0		NG	■												ANG,ANH,ANX,ANY,APH,API
17	Pressure relief valve 312438		8 716 142 404 0	23	NG	■												
18	Pipe - pressure releif		8 716 100 259 0		NG	■												ANG,ANH,ANX,ANY,APH,API
19	Pipe - gas inlet assembly		8 716 120 966 0		NG	■												
20	Gas valve - ng		8 716 142 413 0		NG	■												
20	Gas valve - 24i lpg		8 716 142 430 0		NG	■												
21	Burner manifold		8 716 143 001 0		NG	■												
22	Main burner injector - lpg		8 716 140 209 0	20	NG	■												
22	Main burner injector 4.3 dia.		8 716 140 224 0		NG	■												
23	Pipe - by pass assembly		8 716 120 973 0		NG	■												ANG,ANH,ANX,ANY,APH,API
24	Expansion vessel		8 716 142 502 0	41	NG	■												
25	Pipe - expansion vessel		8 716 100 604 0		NG	■												ANG,ANH,ANX,ANY,APH,API,AQN ARN ARO
26	Pipe - dom hot water out assembly		8 716 120 970 0		NG	■												ANG,ANH,ANX,ANY,APH,API,AQN ARN ARO
27	Central heating sensor (pps)		8 716 142 384 0	29	NG	■												
28	Clip - domestic h.w. thermistor		8 716 148 313 0		NG	■												
29	Primary h.w. thermistor clip		8 716 148 303 0	12	NG	■												
30	O-ring 16x2 (x1)		8 716 115 675 0		NG	■												
30	O-Ring 2.0 X 16.00 ID EP (10x)		8 716 140 814 0	15	NG	■												
31	Fibre washer 23.9 X 17.2 X 1.5 (10x)		8 710 103 043 0	12	NG	■												
31	Washer 23.9 x 17.2 x 1.5 (X1)		8 716 115 674 0		NG	■												
32	O-ring 2.62 X 17.86		8 716 140 806 0	15	NG	■												
33	Wireform spring		8 716 148 310 0	17	NG	■												
34	Washer 18.6 X 13.5 X 1.5 (10x)		8 710 103 045 0	11	NG	■												
34	Washer 18.6 x 13.5 x 1.5 (1x)		8 716 115 680 0		NG	■												
35	Screw no.8x1/2 f/h type b self tap.		2 912 421 225 0	16	NG	■												
36	O-Ring 2.62x22.23 id h-nitrile		8 716 140 827 0		NG	■												
37	Screw m4x8mm hex hd Scr zinc plated		2 911 051 118 0		NG	■												
38	Screw m4 x 29 lg zp hex head		2 911 051 134 0		NG	■												
39	washer 30.5x22.2x1.5		8 716 140 920 0	13	NG	■												
40	O-ring 2.4x5.6 I/D EPDM		8 716 140 838 0	12	NG	■												
41	Clip - small wire		8 716 148 323 0		NG	■												
42	O-Ring 2.40 x 7.60 id nitrile		8 716 140 808 0	17	NG	■												
43	Clip		8 716 148 301 0	03	NG	■												
44	Nut cap 15mm		8 716 140 284 0		NG	■												
	Harness-gas valve		8 716 120 177 0		NG	■												
	SEAL-18MM TUBE		8 716 140 705 0	17	NG	■												
24I-FSN			Pump / Hydraulic assy D															1

Spare parts list



OLD DOMESTIC HOT WATER PIPEWORK
APPLIANCE VERSIONS ANG & ANH

6720900082.AA

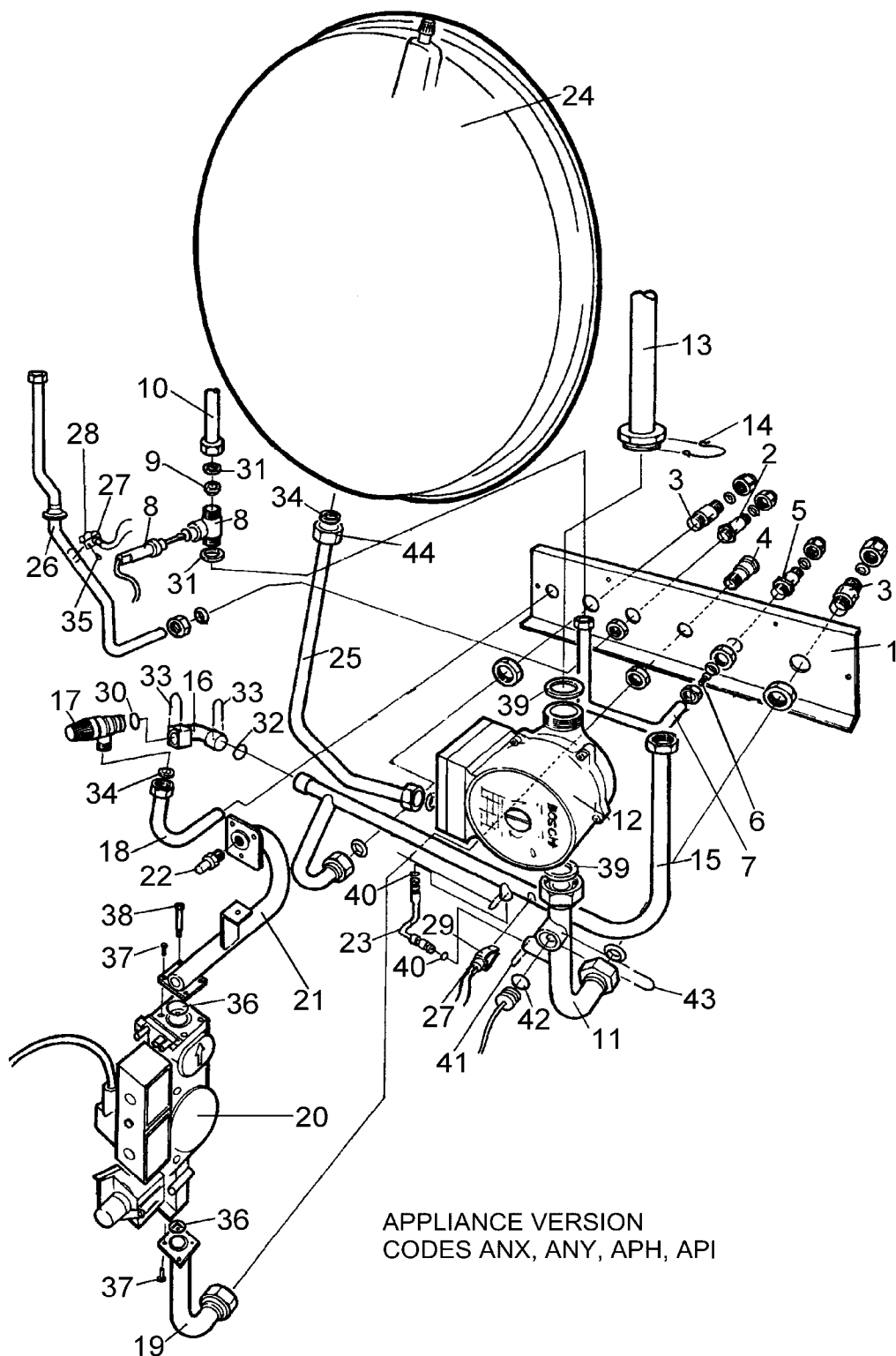
Pump / Hydraulic assy
D

24I-FSN

1

Pos	description	S-Nr	ordering no.	PG	gas type	24I-FSN														remarks
	G 3/8 x G 1/4 connector		8 716 156 371 0		NG	■														ANG,ANH,ANX,ANY,APH,API,AQN,/
24I-FSN		Pump / Hydraulic assy D																	1	

Spare parts list



APPLIANCE VERSION
CODES ANX, ANY, APH, API

6720900083.AA

Pump / Hydraulic assy

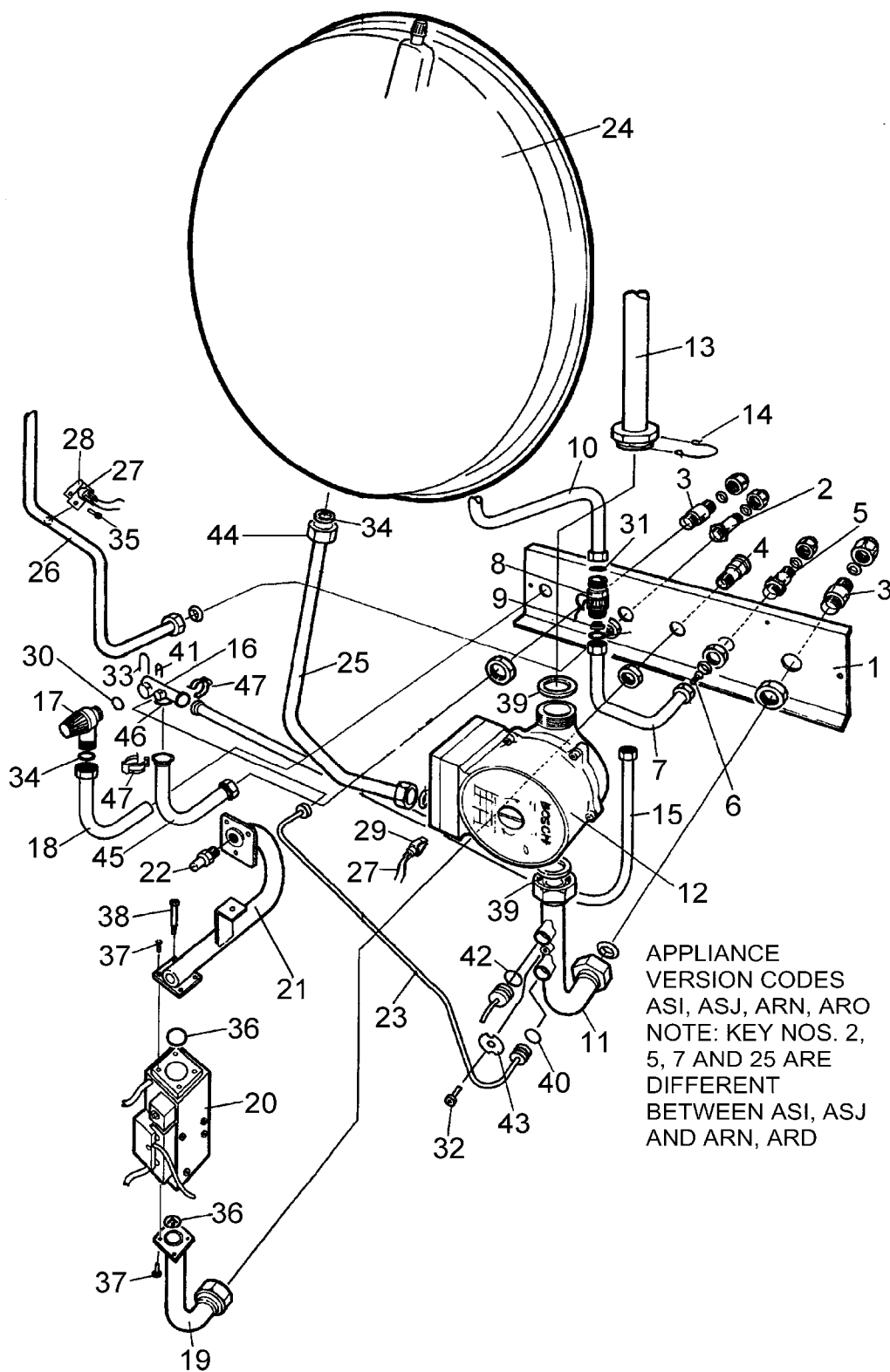
D

1
A

24I-FSN

Pos	description	S-Nr	ordering no.	PG	gas type	24I-FSN											remarks
1	Service connection plate		8 716 100 266 0		NG	■											
2	Blkhd valve-15mm x 15mm		8 716 142 428 0		NG	■											
3	18-22mm isolating valve		8 716 142 410 0		NG	■											
4	Gas cock 1/2 bspt & g5/8 ma		8 716 142 424 0		NG	■											
5	Isolator valve 15mm-one c/nut		8 716 142 418 0		NG	■											
6	Gauze filter		8 716 148 401 0		NG	■											
7	Pipe - flow switch inlet		8 716 100 964 0		NG	■											ANX,ANY,APH,API,AQN,ARN
8	Harness & flow switch assembly		8 716 120 971 0		NG	■											
9	Flow reg type E-W 8L white with adaptor		8 716 141 052 0		NG	■											
10	Pipe - flow switch outlet assy		8 716 121 223 0		NG	■											ANX,ANY,APH,API,AQN,
11	Pipe - pump inlet assembly		8 716 120 965 0		NG	■											ANG,ANH,ANX,ANY,APH,API
12	Pump grundfos 59506606		8 716 143 107 0		NG	■											
13	Pipe - pump outlet assembly		8 716 120 968 0		NG	■											
14	Clip - pump bulkhead		8 716 148 316 0		NG	■											
15	Pipe - primary flow		8 716 120 967 0		NG	■											ANG,ANH,ANX,ANY,APH,API
16	Pressure relief connector		8 716 141 053 0		NG	■											ANG,ANH,ANX,ANY,APH,API
17	Pressure relief valve 312438		8 716 142 404 0	23	NG	■											
18	Pipe - pressure releif		8 716 100 259 0		NG	■											ANG,ANH,ANX,ANY,APH,API
19	Pipe - gas inlet assembly		8 716 120 966 0		NG	■											
20	Gas valve - ng		8 716 142 413 0		NG	■											
20	Gas valve - 24i lpg		8 716 142 430 0		NG	■											
21	Burner manifold		8 716 143 001 0		NG	■											
22	Main burner injector - lpg		8 716 140 209 0	20	NG	■											
22	Main burner injector 4.3 dia.		8 716 140 224 0		NG	■											
23	Pipe - by pass assembly		8 716 120 973 0		NG	■											ANG,ANH,ANX,ANY,APH,API
24	Expansion vessel		8 716 142 502 0	41	NG	■											
25	Pipe - expansion vessel		8 716 100 604 0		NG	■											ANX,ANY,APH,API,AQN,
26	Pipe - dom hot water out assembly		8 716 120 970 0		NG	■											ANX,ANY,APH,API,AQN,
27	Central heating sensor (pps)		8 716 142 384 0	29	NG	■											
28	Clip - domestic h.w. thermistor		8 716 148 313 0		NG	■											
29	Primary h.w. thermistor clip		8 716 148 303 0	12	NG	■											
30	O-ring 16x2 (x1)		8 716 115 675 0		NG	■											
30	O-Ring 2.0 X 16.00 ID EP (10x)		8 716 140 814 0	15	NG	■											
31	Fibre washer 23.9 X 17.2 X 1.5 (10x)		8 710 103 043 0	12	NG	■											
31	Washer 23.9 x 17.2 x 1.5 (X1)		8 716 115 674 0		NG	■											
32	O-ring 2.62 X 17.86		8 716 140 806 0	15	NG	■											
33	Wireform spring		8 716 148 310 0	17	NG	■											
34	Washer 18.6 X 13.5 X 1.5 (10x)		8 710 103 045 0	11	NG	■											
34	Washer 18.6 x 13.5 x 1.5 (1x)		8 716 115 680 0		NG	■											
35	Screw no.8x1/2 f/h type b self tap.		2 912 421 225 0	16	NG	■											
36	O-Ring 2.62x22.23 id h-nitrile		8 716 140 827 0		NG	■											
37	Screw m4x8mm hex hd Scr zinc plated		2 911 051 118 0		NG	■											
38	Screw m4 x 29 lg zp hex head		2 911 051 134 0		NG	■											
39	washer 30.5x22.2x1.5		8 716 140 920 0	13	NG	■											
40	O-ring 2.4x5.6 I/D EPDM		8 716 140 838 0	12	NG	■											
41	Clip - small wire		8 716 148 323 0		NG	■											
42	O-Ring 2.40 x 7.60 id nitrile		8 716 140 808 0	17	NG	■											
43	Clip		8 716 148 301 0	03	NG	■											
44	Nut cap 15mm		8 716 140 284 0		NG	■											
	Harness-gas valve		8 716 120 177 0		NG	■											
	SEAL-18MM TUBE		8 716 140 705 0	17	NG	■											
	G 3/8 x G 1/4 connector		8 716 156 371 0		NG	■											ANX,ANY,APH,API,AQN,ARN,ARO
24I-FSN			Pump / Hydraulic assy D														1A

Spare parts list



6720900084.AA

Pump / Hydraulic assy

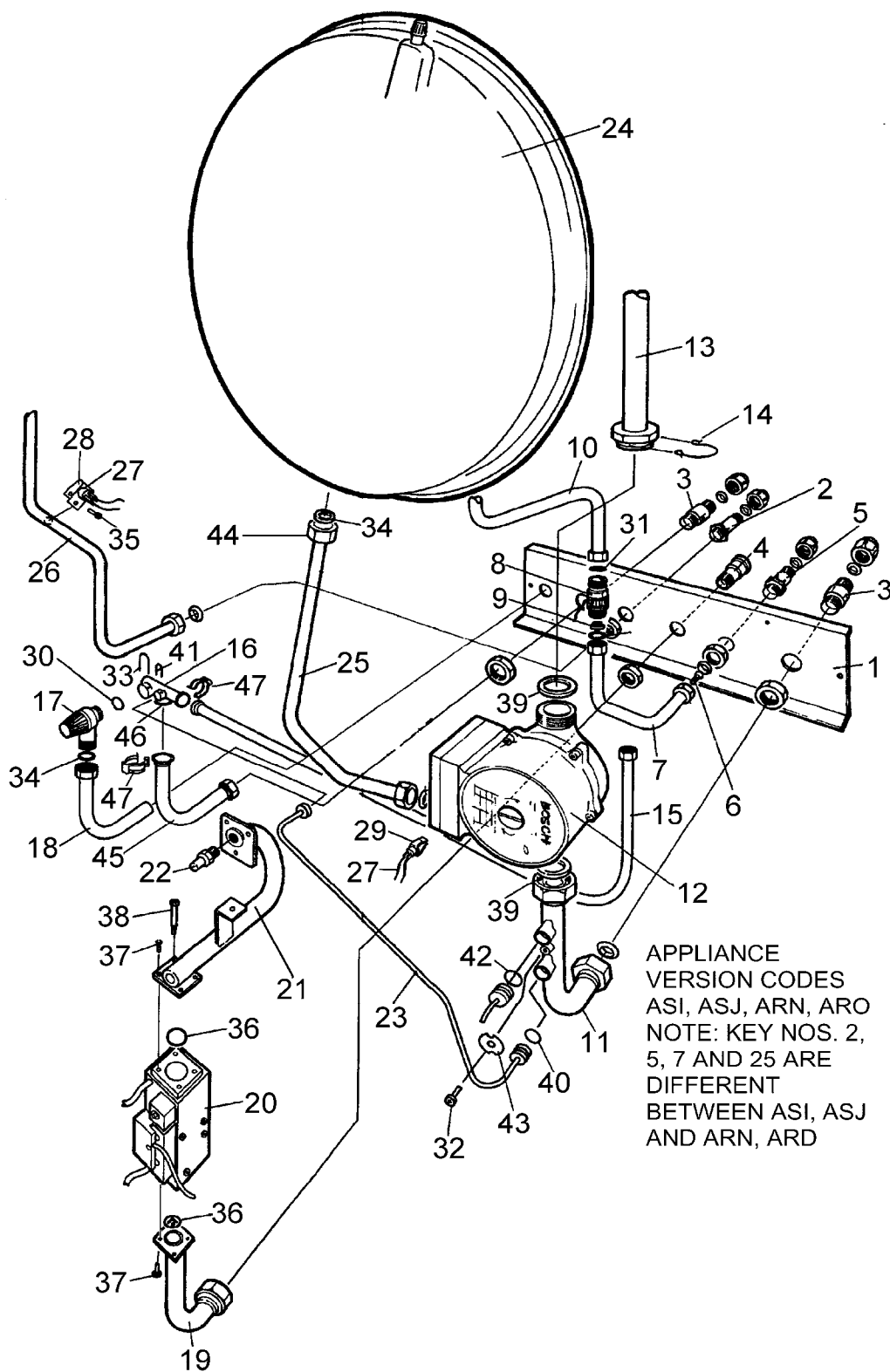
D

1
B

24I-FSN

Pos	description	S-Nr	ordering no.	PG	gas type	24I-FSN												remarks
1	Service connection plate		8 716 100 266 0		NG	■												
2	Blkhd union 15mmx15mm		8 716 102 350 0		NG	■												
3	18-22mm isolating valve		8 716 142 410 0		NG	■												
4	Gas cock 1/2 bspt & g5/8 ma		8 716 142 424 0		NG	■												
5	Isolator valve 15mm		8 716 102 349 0		NG	■												
6	Gauze filter		8 716 148 401 0		NG	■												
7	Pipe - flow switch inlet		8 716 100 964 0		NG	■												ANX,ANY,APH,API,AQN,ARN
7	Pipe - flow switch inlet		8 716 102 378 0		NG	■												ASI,ASJ,AUX
8	Harness & flow switch assembly		8 716 120 971 0		NG	■												
9	Flow reg type E-W 8L white with adaptor		8 716 141 052 0		NG	■												
10	Pipe - flow switch outlet assy		8 716 121 223 0		NG	■												ANX,ANY,APH,API,AQN,
11	Primary return assembly		8 716 121 573 0		NG	■												AQN,ARN,ARO,ASI,ASJ,AUQ,AUX
12	Pump grundfos 59506606		8 716 143 107 0		NG	■												
13	Pipe - pump outlet assembly		8 716 120 968 0		NG	■												
14	Clip - pump bulkhead		8 716 148 316 0		NG	■												
15	Pipe - primary flow		8 716 121 566 0		NG	■												Version code:AQN,ARN,ARO,ASI,ASJ,AUQ
16	Primary flow manifold		8 716 141 221 0		NG	■												AQN,ARN,ARO,ASI,ASJ,AUQ
17	Pressure relief valve 312438		8 716 142 404 0	23	NG	■												
18	Pipe - pressure relief		8 716 101 319 0		NG	■												AQN,ARN,ARO,ASI,ASJ,AUQ
19	Pipe - gas inlet assembly		8 716 120 966 0		NG	■												
20	Gas valve - ng		8 716 142 413 0		NG	■												
20	Gas valve - 24i lpg		8 716 142 430 0		NG	■												
21	Burner manifold		8 716 143 001 0		NG	■												
22	Main burner injector - lpg		8 716 140 209 0	20	NG	■												
22	Main burner injector 4.3 dia.		8 716 140 224 0		NG	■												
23	Bypass assembly		8 716 121 578 0		NG	■												AQN,ARN,ARO,ASI,ASJ,AUQ
24	Expansion vessel		8 716 142 502 0	41	NG	■												
25	Pipe - expansion vessel		8 716 102 380 0		NG	■												ASI,ASJ,AUQ,AUX
26	Pipe - dom hot water out assy		8 716 102 360 0		NG	■												ASI,ASJ,AUQ,AUX
27	Central heating sensor (pps)		8 716 142 384 0	29	NG	■												
28	Clip - domestic h.w. thermistor		8 716 148 313 0		NG	■												
29	Primary h.w. thermistor clip		8 716 148 303 0	12	NG	■												
30	O-ring 16x2 (x1)		8 716 115 675 0		NG	■												
30	O-Ring 2.0 X 16.00 ID EP (10x)		8 716 140 814 0	15	NG	■												
31	Fibre washer 23.9 X 17.2 X 1.5 (10x)		8 710 103 043 0	12	NG	■												
31	Washer 23.9 x 17.2 x 1.5 (X1)		8 716 115 674 0		NG	■												
32	Screw m5x10mm hex/slotted head		2 911 131 152 0	08	NG	■												
33	Wireform spring		8 716 148 310 0	17	NG	■												
34	Washer 18.6 X 13.5 X 1.5 (10x)		8 710 103 045 0	11	NG	■												
34	Washer 18.6 x 13.5 x 1.5 (1x)		8 716 115 680 0		NG	■												
35	Screw no.8x1/2 f/h type b self tap.		2 912 421 225 0	16	NG	■												
36	O-Ring 2.62x22.23 id h-nitrile		8 716 140 827 0		NG	■												
37	Screw m4x8mm hex hd Scr zinc plated		2 911 051 118 0		NG	■												
38	Screw m4 x 29 lg zp hex head		2 911 051 134 0		NG	■												
39	washer 30.5x22.2x1.5		8 716 140 920 0	13	NG	■												
40	O-ring 7x2,5		8 716 140 817 0	22	NG	■												
41	Clip - small wire		8 716 148 323 0		NG	■												
42	O-Ring 2.40 x 7.60 id nitrile		8 716 140 808 0	17	NG	■												
43	Pipe - retainer		8 716 101 316 0		NG	■												
44	Nut cap 15mm		8 716 140 284 0		NG	■												
45	Primary flow elbow		8 716 101 318 0		NG	■												Version code:AQN,ARN,ARO,ASI,ASJ,AUQ
46	O-Ring 17.6 ID X 2.4 EP		8 716 140 820 0	02	NG	■												
24I-FSN			Pump / Hydraulic assy D															1B

Spare parts list



6720900084.AA

Pump / Hydraulic assy

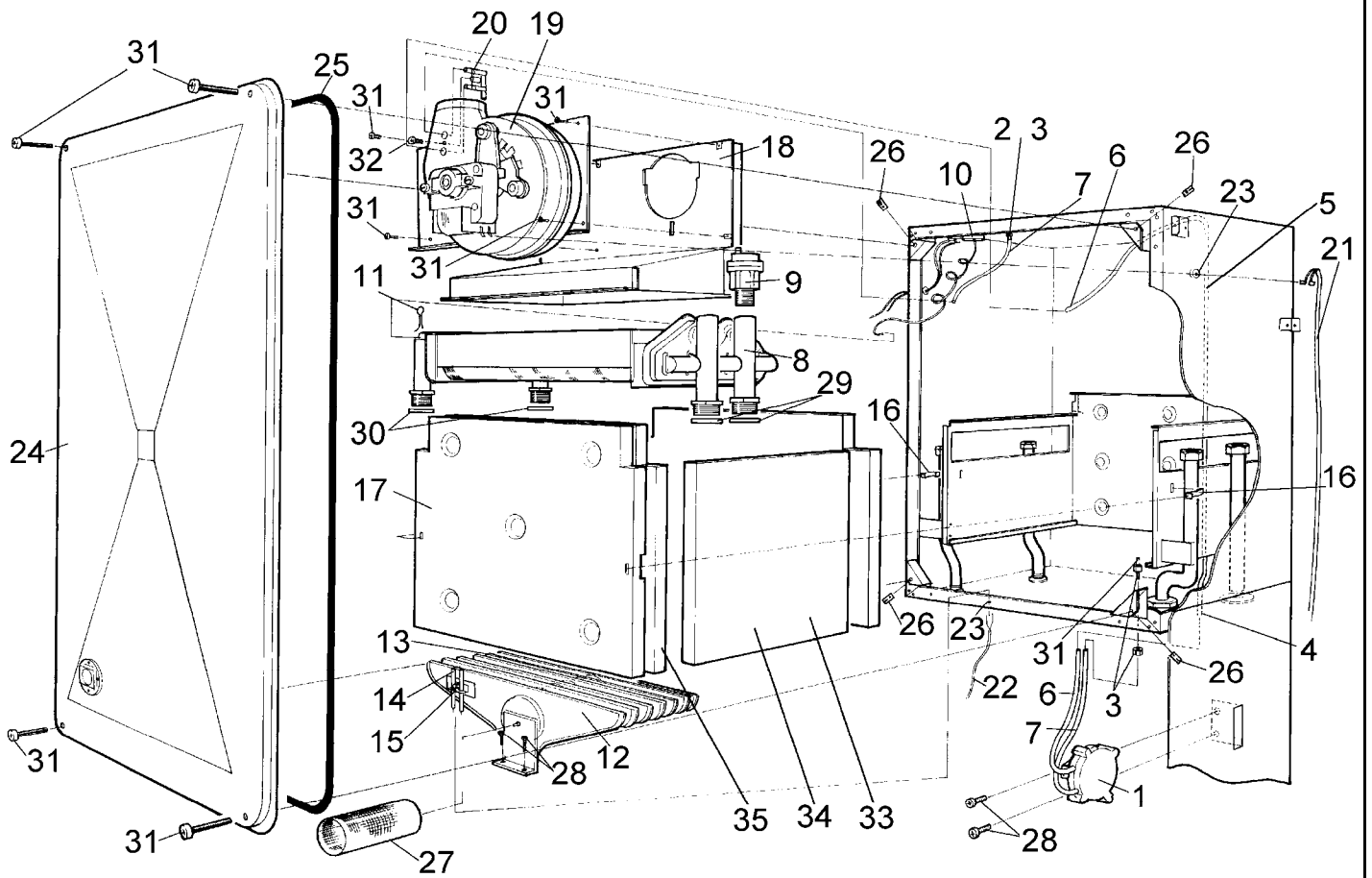
D

1
B

24I-FSN

Pos	description	S-Nr	ordering no.	PG	gas type	24I-FSN														remarks
47	Clamp spring		8 716 148 317 0	02	NG	■														
	G3/8 x G1/4 union		8 716 102 340 0		NG	■														ASI,ASJ,AUQ,AUX
	Harness-gas valve		8 716 120 177 0		NG	■														
	SEAL-18MM TUBE		8 716 140 705 0	17	NG	■														
24I-FSN		Pump / Hydraulic assy D																		1B

Spare parts list



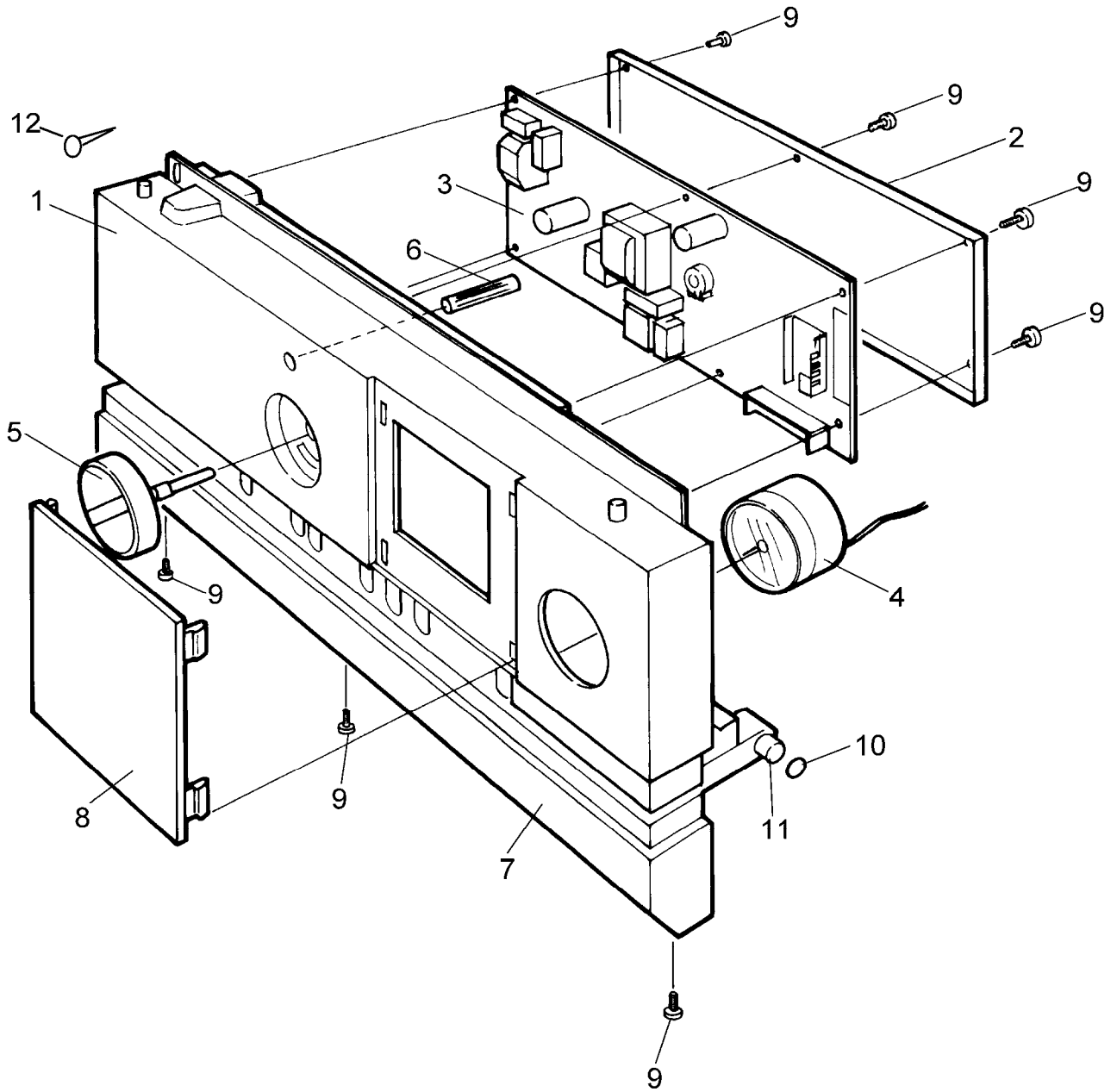
6720900085.AA

Superstructure
D

24I-FSN

2

Spare parts list



6720900086.AA

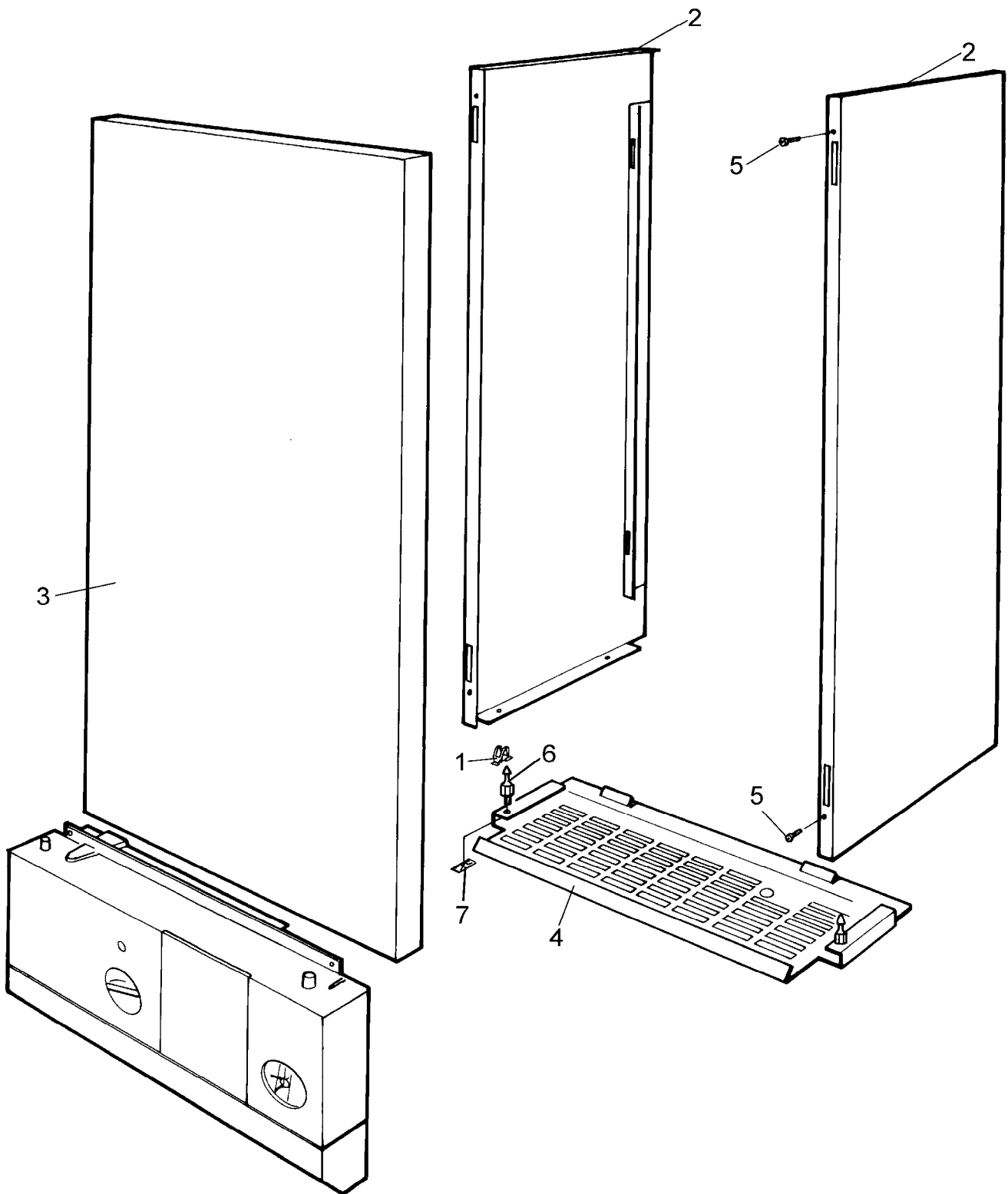
Electrical Box Assembly
D

24I-FSN

3

Pos	description	S-Nr	ordering no.	PG	gas type	24I-FSN																remarks
1	Facia (2302)		8 716 141 069 0		NG	■																
2	Facia plate assembly		8 716 120 200 0		NG	■																
3	Control board 232		8 716 146 300 0		NG	■																
4	Pressure gauge 4 bar dark grey		8 716 142 300 0		NG	■																
5	Control knob		8 716 141 044 0		NG	■																
6	Facia light insert		8 716 141 011 0	10	NG	■																
7	Facia panel bottom 24i		8 716 141 043 0		NG	■																
8	Facia inset plate		8 716 141 008 0		NG	■																
9	Screw iso no 6b x 9.5 recessed		2 912 421 210 0	07	NG	■																
10	O-Ring 1.60 x 7.10 id ep		8 716 140 807 0	17	NG	■																
11	Facia hinge pin		8 716 141 007 0	26	NG	■																
12	M4 x 16 lg pozi pan hd taptite		8 716 155 045 0		NG	■																
	Harness-flame sense to pcb board		8 716 120 126 0		NG	■																
	Harness main		8 716 120 981 0		NG	■																
	Harness earth cdi & i range		8 716 121 260 0		NG	■																
	Clamp strain relief		8 716 141 029 0		NG	■																
	Pcb support pillars		8 716 141 047 0		NG	■																
	Cable tie 2.5mm x 100mm		8 716 141 075 0		NG	■																
	Cord strain relief Bush		8 716 141 102 0	14	NG	■																
	Fuse 2a slow blow 20 x 5mm		8 716 156 000 0		NG	■																
24I-FSN			Electrical Box Assembly D																		3	

Spare parts list



6720900087.AA

Casing
D

24I-FSN

4

Pos	description	S-Nr	ordering no.	PG	gas type	24I-FSN																		remarks
1	Clip - spring ref mfo319 soft (5 pack)		8 716 140 513 0	04	NG	■																		
2	Cabinet side panel painted		8 716 100 972 0		NG	■																		
3	Cabinet front panel painted		8 716 100 973 0		NG	■																		
4	Cabinet bottom panel assembly		8 716 120 033 0	50	NG	■																		
5	Screw m4x10mm taptite Scr zc pl p/h		2 914 411 408 0		NG	■																		
6	Stud 2ba brass ball new design		8 716 140 512 0	08	NG	■																		
7	Nut 2ba flat black m/s		8 716 155 002 0	05	NG	■																		
	Wall plate		8 716 100 275 0		NG	■																		
	Plug blanking black 8mm		8 716 141 149 0		NG	■																		
24I-FSN		Casing D																						4

**ADDITIONAL SPARE PARTS
FOR APPLIANCE
NOT DRAWN**

9099

6720900999.AA

Additional Spare Part
D

9

24I-FSN

Pos	description	S-Nr	ordering no.	PG	gas type	24i-FSN																remarks
	i-extension flue kit-f106x750		7 716 191 006 0		NG	■																
	90 deg flue elbow-f106e90		7 716 191 013 0		NG	■																
	45 deg flue elbow (pair)-f106e45		7 716 191 014 0		NG	■																
	I-vertical flue adaptor kit-f106a		7 716 191 016 0		NG	■																
	24i-internal flue fixing kit - f106i		7 716 191 019 0		NG	■																
	Simplefit-Telescopic flue kit		7 716 191 068 0		NG	■																
	Vertical flue kit		7 716 191 079 0		NG	■																
	CDi-mechanical timer-s230m1		7 716 192 002 0		NG	■																
	Gas conversion kit 24i-lpg to ng		7 716 192 132 0		NG	■																
	CDi-fuse pack		7 716 192 206 0		NG	■																
	Gasket pack		7 716 192 218 0		NG	■																
	24i literature pack		8 716 120 166 0		NG	■																
	232 Screw pack		8 716 121 236 0		NG	■																
	Mini expansion vessel - ha50		8 716 142 503 0		NG	■																
	i series user manual		8 716 145 027 0		NG	■																
	24i rsf serv & inst manual		8 716 145 028 0		NG	■																
	Air duct strap		8 716 148 210 0		NG	■																
24i-FSN		Additional Spare Part D																			9	

List of translations

Pos			
1			
2			
3			
4			
5			
6			
7			
8			
9			
10			
11			
12			
13			
14			
15			
16			
17			
18			
19			
20			
21			
22			
23			
24			
25			
26			
27			
28			
29			
30			
31			
32			
33			
34			
35			
36			
37			
38			
39			
40			
41			
42			
43			
44			
1A			
1			
2			
3			
4			
5			
6			
7			
8			
Pos			
9			
10			

List of translations

11				
12				
13				
14				
15				
16				
17				
18				
19				
20				
21				
22				
23				
24				
25				
26				
27				
28				
29				
30				
31				
32				
33				
34				
35				
36				
37				
38				
39				
40				
41				
42				
43				
44				
1B				
1				
2				
3				
4				
5				
6				
7				
8				
9				
10				
11				
12				
13				
14				
15				
16				
17				
Pos				
18				
19				
20				
21				

List of translations

22				
23				
24				
25				
26				
27				
28				
29				
30				
31				
32				
33				
34				
35				
36				
37				
38				
39				
40				
41				
42				
43				
44				
45				
46				
47				
2				
1				
2				
3				
4				
5				
6				
7				
8				
9				
10				
11				
12				
13				
14				
15				
16				
17				
18				
19				
20				
21				
22				
23				
Pos				
24				
25				
26				
27				
28				
29				

List of translations

30				
31				
32				
33				
34				
35				
3				
1				
2				
3				
4				
5				
6				
7				
8				
9				
10				
11				
12				
4				
1				
2				
3				
4				
5				
6				
7				
9				
Pos				

Types of appliances

Appliance	ordering no.	Country remarks
24I-FSN-GB NAT GAS COMBI	7 716 130 007	United Kingdom
24I-FSN-GB NAT GAS COMBI	7 716 130 124	United Kingdom

,ARN,ARO