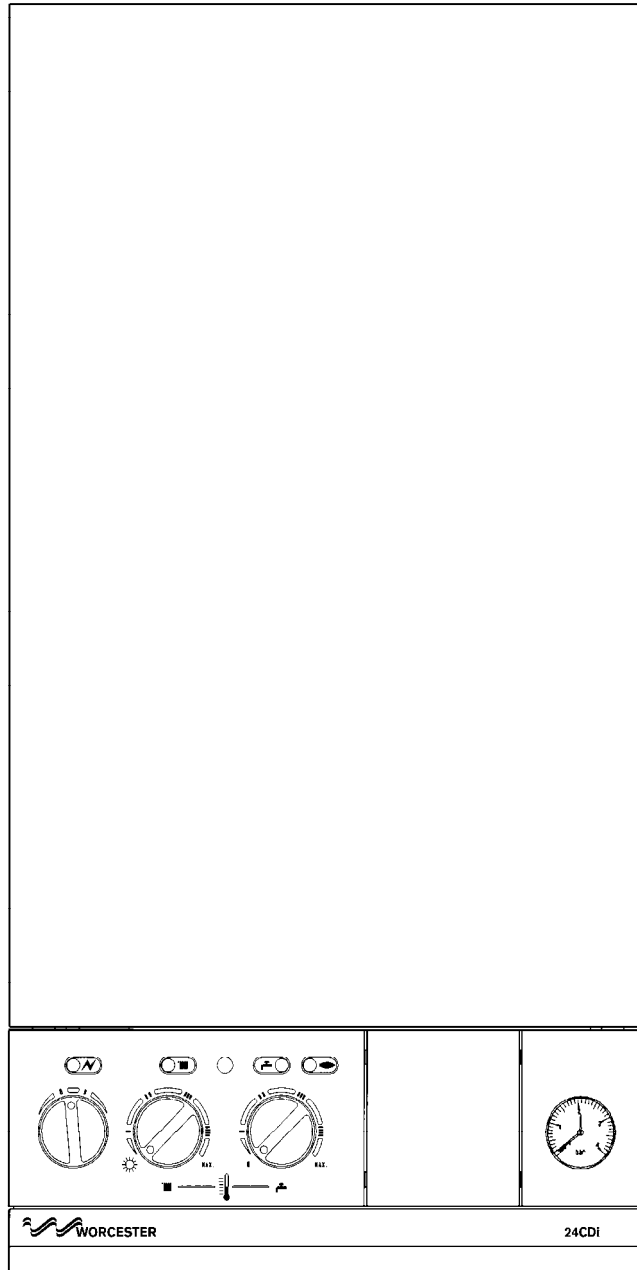


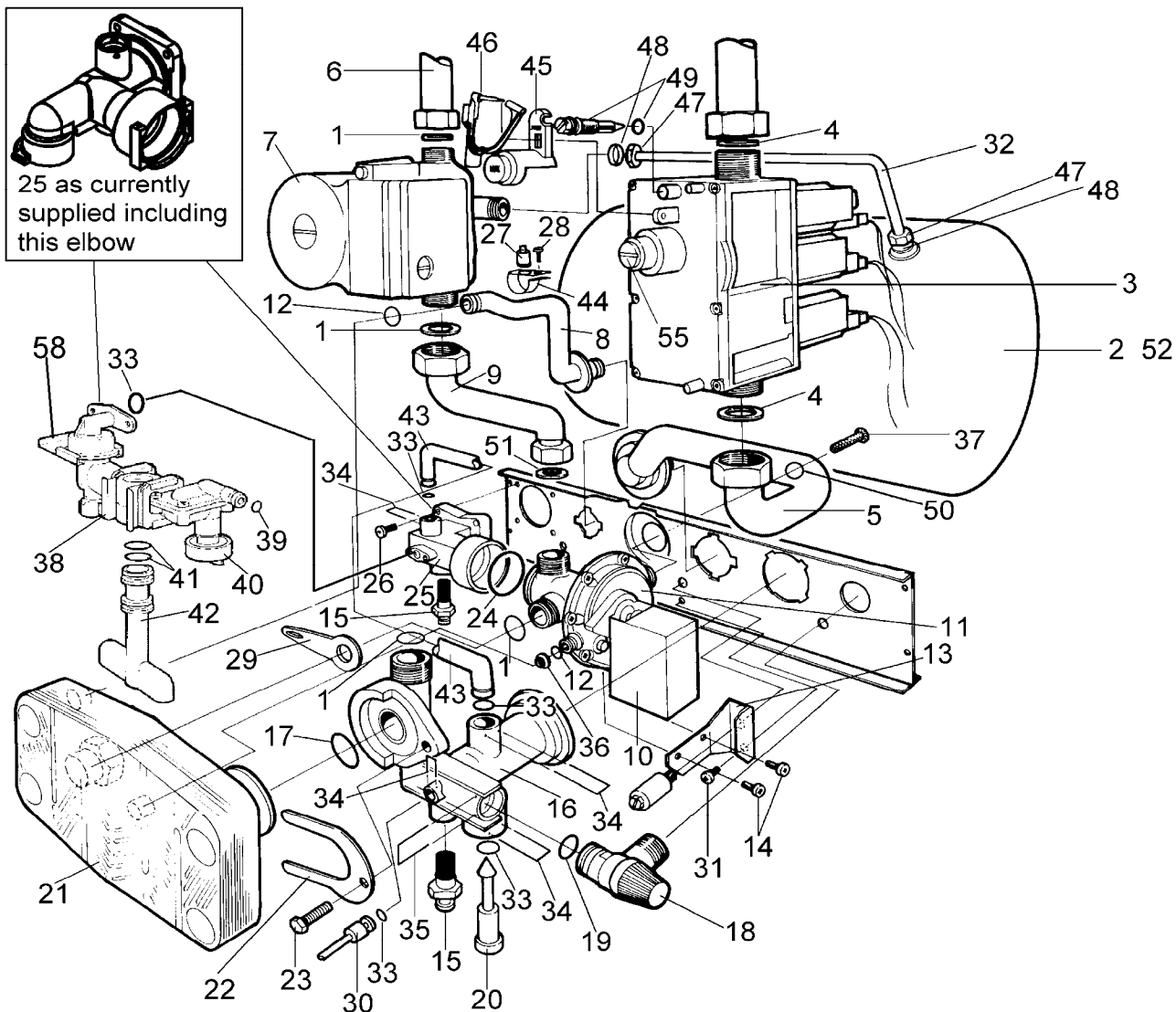
24CDI OF



- 1 Pump & Hydraulic Assy
- 2 Superstructure
- 3 Electrical Box Assy
- 4 Casing
- 5 Wall mounting Assy
- 9 Additional Spare Parts

6720900075.AA

Spare parts list



6720900076.AC

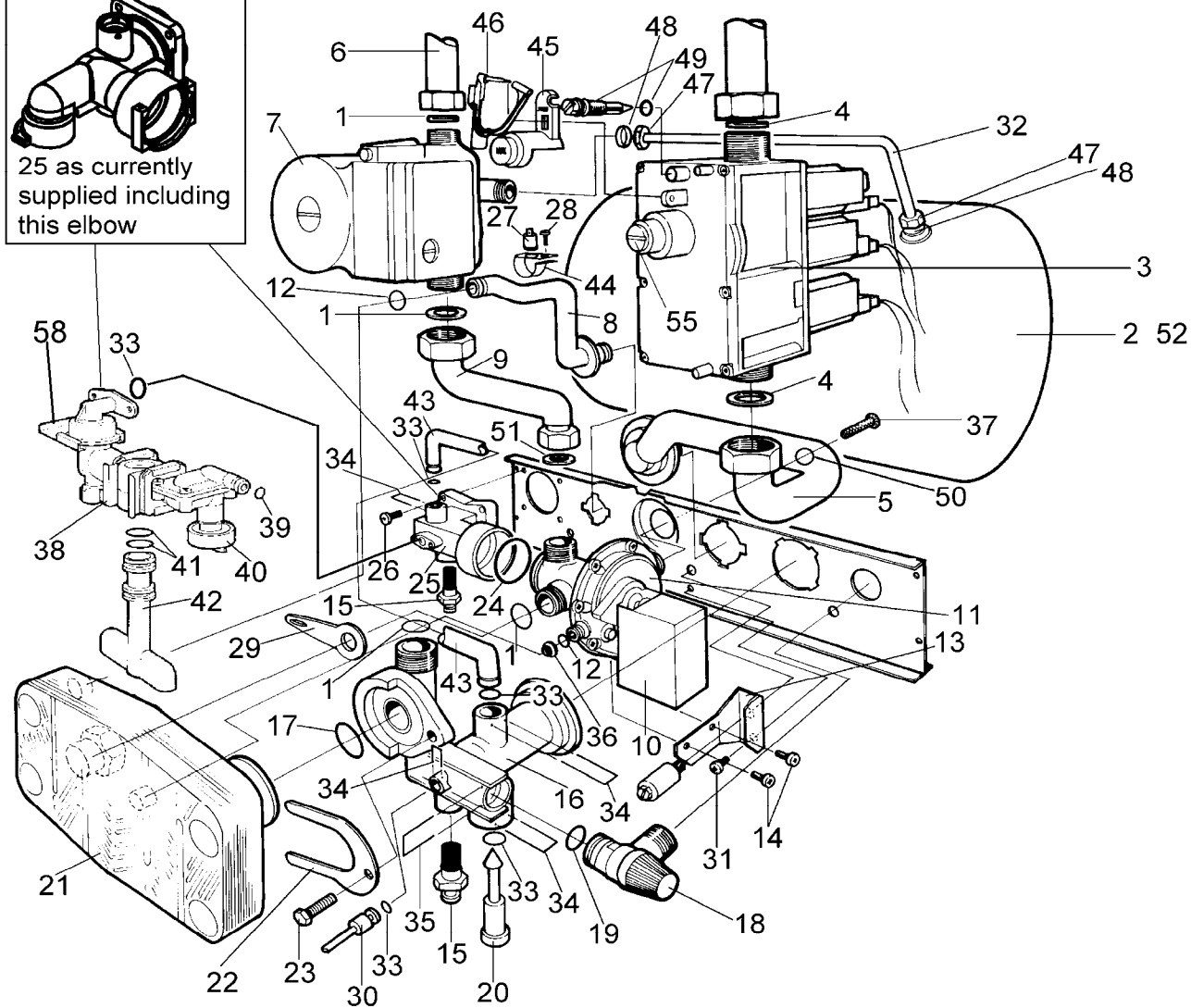
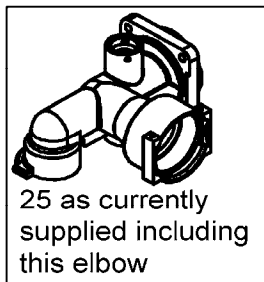
Pump / Hydraulic assy
D

24CDI-OSN 24CDI-OSP

1

Pos	description	S-Nr	ordering no.	PG	gas type	24CDI-OSN	24CDI-OSP											remarks
1	washer 30.5x22.2x1.5		8 716 140 920 0	13	LPG	■												
1	washer 30.5x22.2x1.5		8 716 140 920 0	13	NG	■												
2	Expansion vessel 10 litres		8 716 142 500 0	51	LPG	■												
2	Expansion vessel 10 litres		8 716 142 500 0	51	NG	■												
3	Gas valve- Dungs ref: 239		8 716 102 673 0	47	NG	■												
3	Gas valve Dungs lpg		8 716 102 868 0	47	LPG	■												
4	Washer fibre 24.0 x 16.0 x 1.5		8 716 140 900 0	07	LPG	■												
4	Washer fibre 24.0 x 16.0 x 1.5		8 716 140 900 0	07	NG	■												
5	Pipe - gas inlet complete		8 716 143 069 0		LPG	■												
5	Pipe - gas inlet complete		8 716 143 069 0		NG	■												
6	Pipe - primary flow		8 716 120 123 0	30	LPG	■												
6	Pipe - primary flow		8 716 120 123 0	30	NG	■												
7	Pump grundfos 59506607		8 716 143 108 0	53	LPG	■												
7	Pump grundfos 59506607		8 716 143 108 0	53	NG	■												
8	Pipe - domestic outlet		8 716 120 044 0	35	LPG	■												
8	Pipe - domestic outlet		8 716 120 044 0	35	NG	■												
9	Pipe - pump outlet		8 716 120 045 0	30	LPG	■												
9	Pipe - pump outlet		8 716 120 045 0	30	NG	■												
10	Diverter valve switch assembly		8 716 146 100 0	35	LPG	■												
10	Diverter valve switch assembly		8 716 146 100 0	35	NG	■												
11	Diverter valve v37 uk		8 716 156 746 0	50	LPG	■												
11	Diverter valve v37 uk		8 716 156 746 0	50	NG	■												
12	O-Ring 2.62 x 11.91 id nitrile		8 716 140 802 0	15	LPG	■												
12	O-Ring 2.62 x 11.91 id nitrile		8 716 140 802 0	15	NG	■												
13	Diverter retainer		8 716 100 036 0	09	LPG	■												
13	Diverter retainer		8 716 100 036 0	09	NG	■												
14	Screw m4x8mm taptite zc pl p/h		2 914 411 412 0	03	LPG	■												
14	Screw m4x8mm taptite zc pl p/h		2 914 411 412 0	03	NG	■												
15	Drain Screw assembly		8 716 120 037 0	21	LPG	■												
15	Drain Screw assembly		8 716 120 037 0	21	NG	■												
16	Return connector		8 716 141 020 0	36	LPG	■												
16	Return connector		8 716 141 020 0	36	NG	■												
17	O-Ring 3.0 x 25.5 id ep50		8 716 140 803 0	07	LPG	■												
17	O-Ring 3.0 x 25.5 id ep50		8 716 140 803 0	07	NG	■												
18	Pressure relief valve 312438		8 716 142 404 0	23	LPG	■												
18	Pressure relief valve 312438		8 716 142 404 0	23	NG	■												
19	O-ring 16x2 (x1)		8 716 115 675 0		LPG	■												
19	O-ring 16x2 (x1)		8 716 115 675 0		NG	■												
19	O-Ring 2.0 X 16.00 ID EP (10x)		8 716 140 814 0	15	LPG	■												
19	O-Ring 2.0 X 16.00 ID EP (10x)		8 716 140 814 0	15	NG	■												
20	By pass Screw		8 716 140 202 0	18	LPG	■												
20	By pass Screw		8 716 140 202 0	18	NG	■												
21	Plate heat exchanger pwv 12e		8 716 142 900 0	55	LPG	■												
21	Plate heat exchanger pwv 12e		8 716 142 900 0	55	NG	■												
22	Clip - retaining		8 716 148 302 0	14	LPG	■												
22	Clip - retaining		8 716 148 302 0	14	NG	■												
23	Retaining clip Screw		8 716 140 105 0	23	LPG	■												
23	Retaining clip Screw		8 716 140 105 0	23	NG	■												
24	O-ring 27.5 x 3.00		8 716 102 293 0	03	LPG	■												
24	O-ring 27.5 x 3.00		8 716 102 293 0	03	NG	■												
25	Flow Manifold		8 716 105 093 0	30	LPG	■												
25	Flow Manifold		8 716 105 093 0	30	NG	■												
24CDI-OSN 24CDI-OSP			Pump / Hydraulic assy D															1

Spare parts list



6720900076.AC

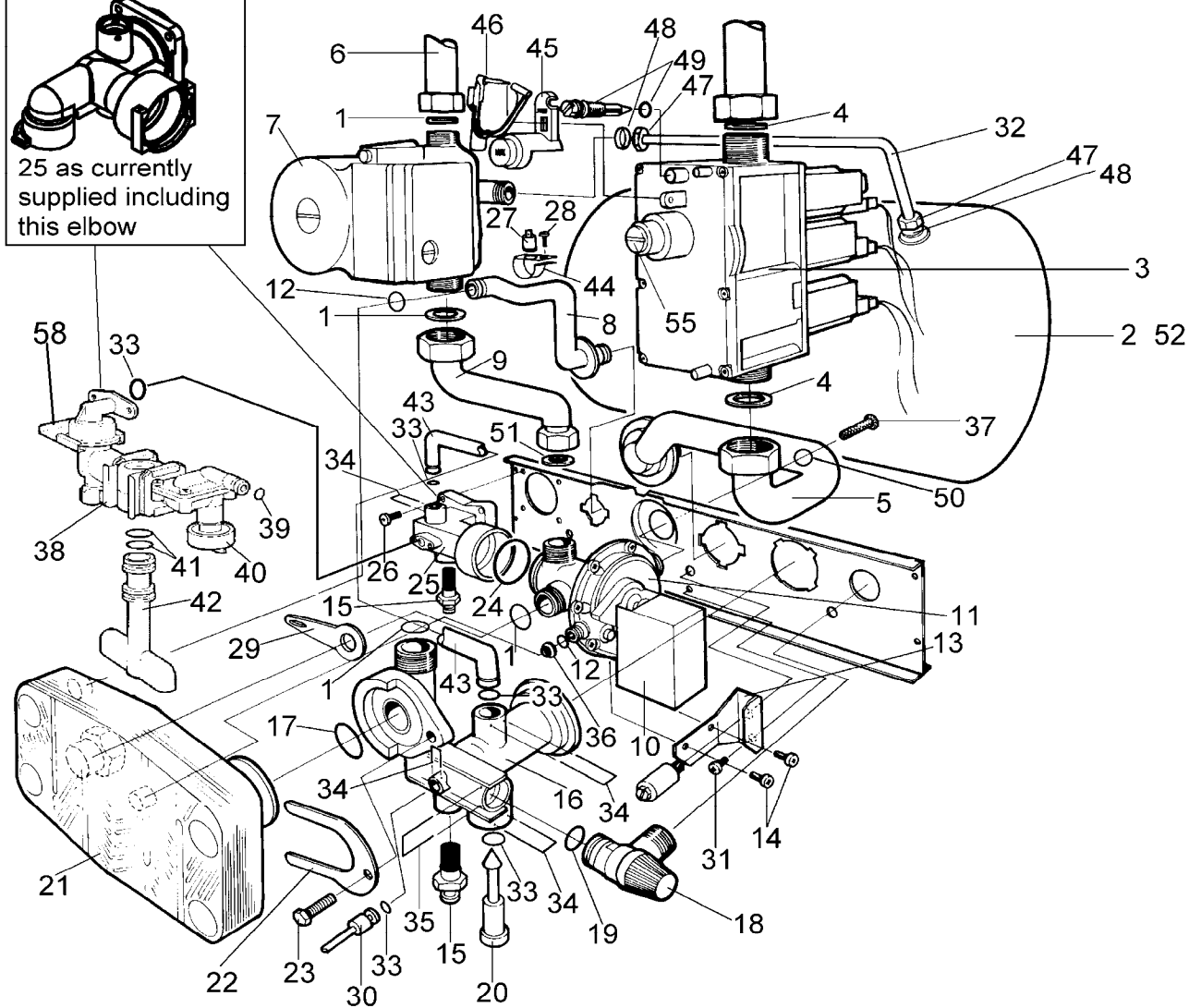
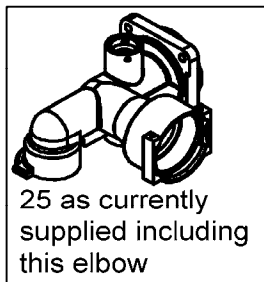
Pump / Hydraulic assy
D

24CDI-OSN 24CDI-OSP

1

Pos	description	S-Nr	ordering no.	PG	gas type	24CDI-OSN	24CDI-OSP											remarks
26	Screw m4 x 12mm taptite zc pl ph		2 914 411 404 0	02	LPG	■												
26	Screw m4 x 12mm taptite zc pl ph		2 914 411 404 0	02	NG	■												
27	Central heating sensor (pps)		8 716 142 384 0	29	LPG	■												
27	Central heating sensor (pps)		8 716 142 384 0	29	NG	■												
28	Screw no.8x1/2 f/h type b self tap.		2 912 421 225 0	16	LPG	■												
28	Screw no.8x1/2 f/h type b self tap.		2 912 421 225 0	16	NG	■												
29	Retaining bracket		8 716 100 086 0	26	LPG	■												
29	Retaining bracket		8 716 100 086 0	26	NG	■												
30	Pressure gauge 4 bar dark grey		8 716 142 300 0		LPG	■												
30	Pressure gauge 4 bar dark grey		8 716 142 300 0		NG	■												
31	Screw iso no 6b x 9.5 recessed		2 912 421 210 0	07	LPG	■												
31	Screw iso no 6b x 9.5 recessed		2 912 421 210 0	07	NG	■												
32	Pipe - expansion vessel		8 716 100 093 0	17	LPG	■												
32	Pipe - expansion vessel		8 716 100 093 0	17	NG	■												
33	O-ring 7x2,5		8 716 140 817 0	22	LPG	■												
33	O-ring 7x2,5		8 716 140 817 0	22	NG	■												
34	Clip		8 716 148 301 0	03	LPG	■												
34	Clip		8 716 148 301 0	03	NG	■												
35	Wireform spring		8 716 148 310 0	17	LPG	■												
35	Wireform spring		8 716 148 310 0	17	NG	■												
36	Flow regulator type E-W 8 litre white		8 716 141 054 0	21	LPG	■												
36	Flow regulator type E-W 8 litre white		8 716 141 054 0	21	NG	■												
37	Water filter mpmv3326 st.st.		8 716 148 400 0	30	LPG	■												
37	Water filter mpmv3326 st.st.		8 716 148 400 0	30	NG	■												
38	Charging link assembly		8 716 105 103 0	48	LPG	■												
38	Charging link assembly		8 716 105 103 0	48	NG	■												
39	O-Ring 1.60 x 7.10 id ep		8 716 140 807 0	17	LPG	■												
39	O-Ring 1.60 x 7.10 id ep		8 716 140 807 0	17	NG	■												
40	Valve spindle knob assy - grey		8 716 121 109 0	24	LPG	■												
40	Valve spindle knob assy - grey		8 716 121 109 0	24	NG	■												
41	O-Ring 3.00 x 19.00 id epdm		8 716 140 816 0	17	LPG	■												
41	O-Ring 3.00 x 19.00 id epdm		8 716 140 816 0	17	NG	■												
42	Charging link key		8 716 121 107 0	30	LPG	■												
42	Charging link key		8 716 121 107 0	30	NG	■												
43	Pipe - by pass		8 716 120 051 0	36	LPG	■												
43	Pipe - by pass		8 716 120 051 0	36	NG	■												
44	Clip - domestic h.w. thermistor		8 716 148 309 0	12	LPG	■												
44	Clip - domestic h.w. thermistor		8 716 148 309 0	12	NG	■												
45	Covering sheet		8 710 506 182 0	16	LPG	■												
45	Covering sheet		8 710 506 182 0	16	NG	■												
46	Security tag black		8 712 305 077 0	15	LPG	■												
46	Security tag black		8 712 305 077 0	15	NG	■												
47	Nut 10mm compression		8 716 140 226 0	13	LPG	■												
47	Nut 10mm compression		8 716 140 226 0	13	NG	■												
48	10mm compression ring		8 716 140 227 0	18	LPG	■												
48	10mm compression ring		8 716 140 227 0	18	NG	■												
49	Setting Screw		8 743 404 290 0	11	LPG	■												
49	Setting Screw		8 743 404 290 0	11	NG	■												
50	O-Ring 2.5 x 10.0 id ep50		8 716 140 848 0		LPG	■												
50	O-Ring 2.5 x 10.0 id ep50		8 716 140 848 0		NG	■												
51	Fibre washer 23.9 X 17.2 X 1.5 (10x)		8 710 103 043 0	12	LPG	■												
51	Fibre washer 23.9 X 17.2 X 1.5 (10x)		8 710 103 043 0	12	NG	■												
24CDI-OSN 24CDI-OSP			Pump / Hydraulic assy D															1

Spare parts list



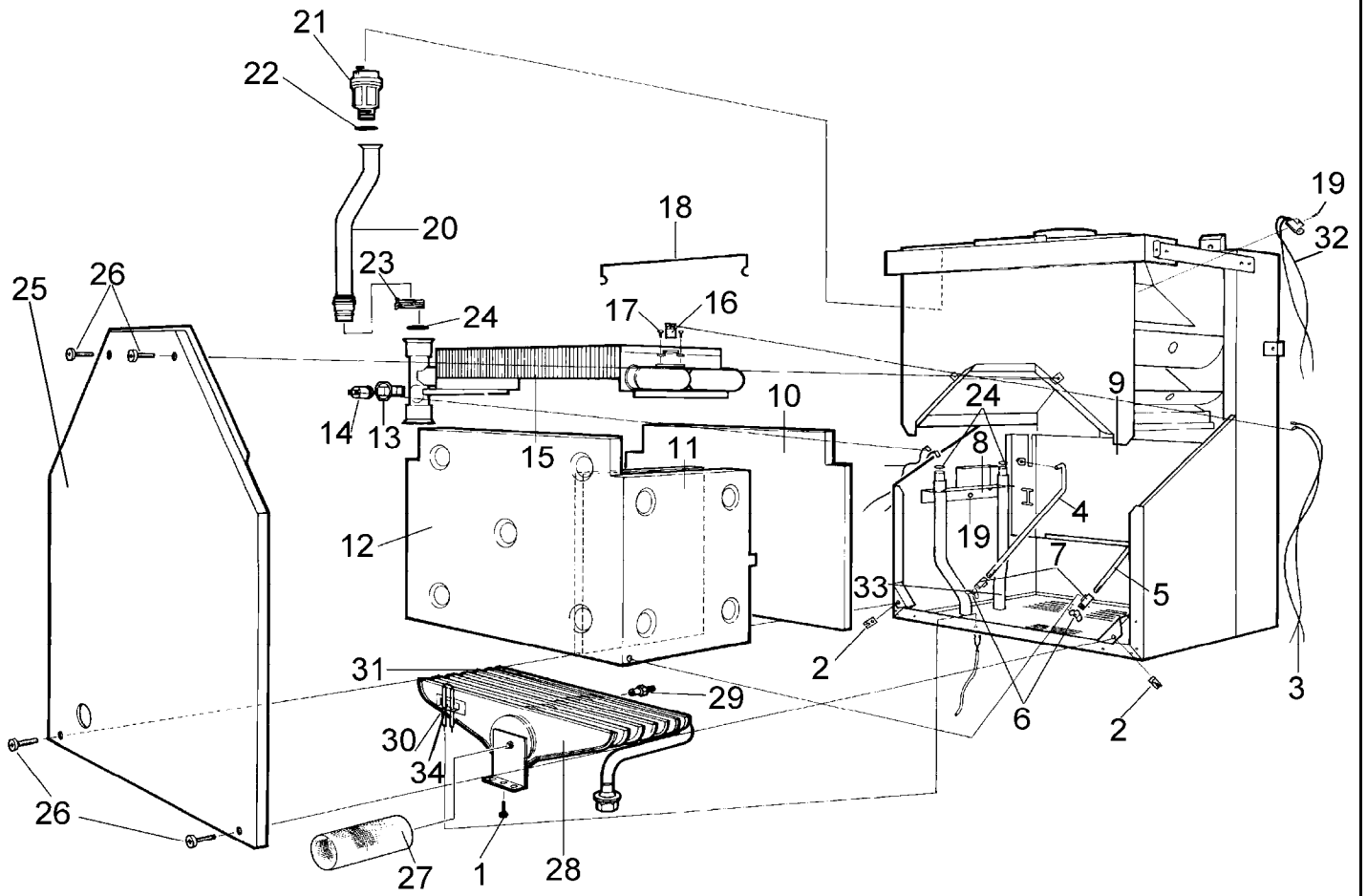
6720900076.AC

Pump / Hydraulic assy
D

24CDI-OSN 24CDI-OSP

1

Spare parts list



6720900079.AA

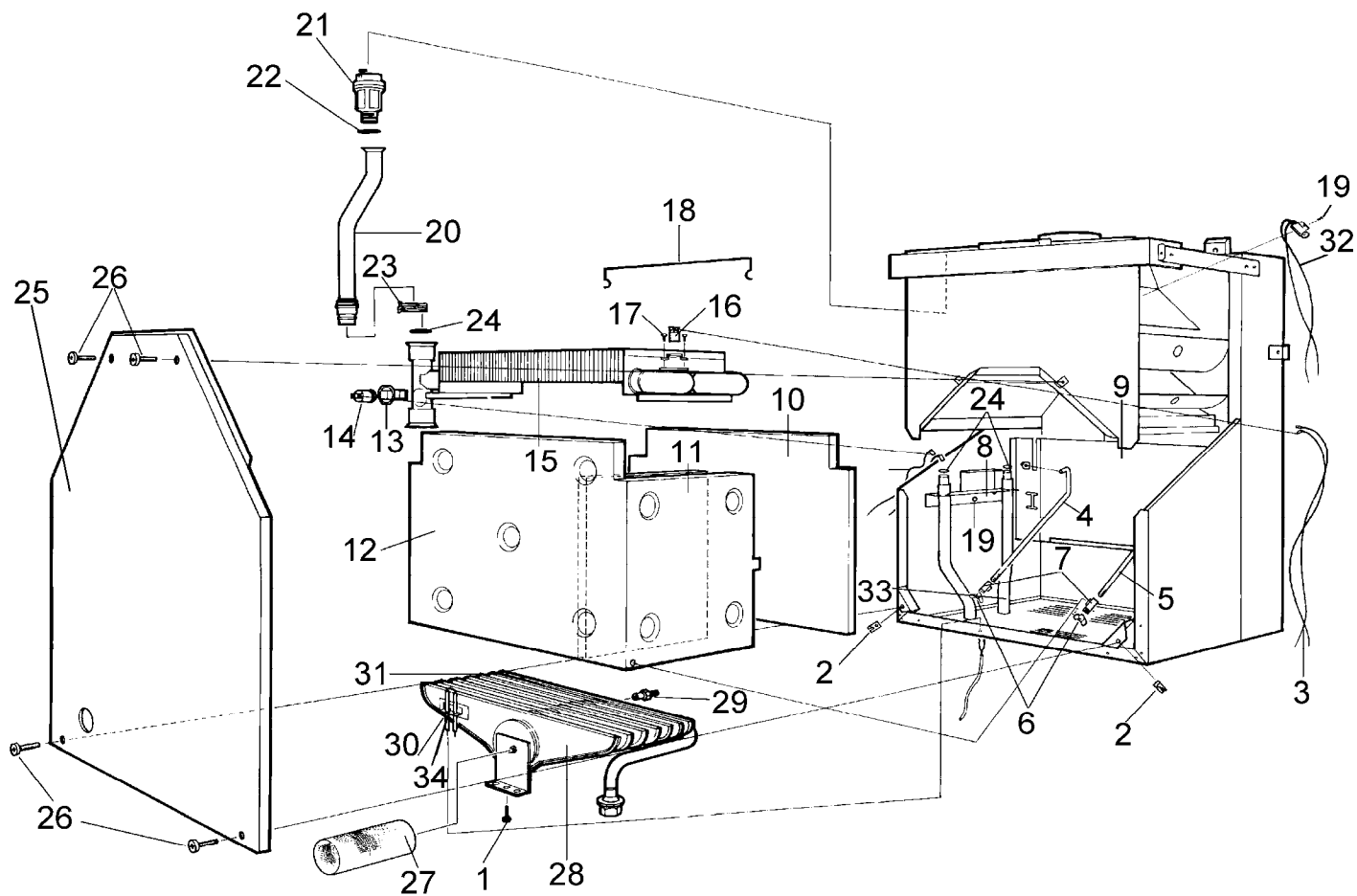
Superstructure
D

24CDI-OSN 24CDI-OSP

2

Pos	description	S-Nr	ordering no.	PG	gas type	24CDI-OSN	24CDI-OSP											remarks
1	Screw m4x10mm taptite Scr zc pl p/h		2 914 411 408 0		LPG	■												
1	Screw m4x10mm taptite Scr zc pl p/h		2 914 411 408 0		NG	■												
2	Nut Captive No:8		8 716 148 204 0	16	LPG	■												
2	Nut Captive No:8		8 716 148 204 0	16	NG	■												
3	Harness - main of/rsf		8 716 120 048 0	37	LPG	■												
3	Harness - main of/rsf		8 716 120 048 0	37	NG	■												
4	Retaining bolt lh		8 716 148 200 0	17	LPG	■												
4	Retaining bolt lh		8 716 148 200 0	17	NG	■												
5	Retaining bolt rh		8 716 148 201 0	18	LPG	■												
5	Retaining bolt rh		8 716 148 201 0	18	NG	■												
6	Nut-wing m5 ms zn pl table 2		2 915 191 105 0	15	LPG	■												
6	Nut-wing m5 ms zn pl table 2		2 915 191 105 0	15	NG	■												
7	Retaining bolt guide		8 716 100 097 0	30	LPG	■												
7	Retaining bolt guide		8 716 100 097 0	30	NG	■												
8	Pipe - support		8 716 100 077 0	26	LPG	■												
8	Pipe - support		8 716 100 077 0	26	NG	■												
9	Combustion rear insulation		8 716 142 201 0	23	LPG	■												
9	Combustion rear insulation		8 716 142 201 0	23	NG	■												
10	Combustion front insulation		8 716 142 200 0	23	LPG	■												
10	Combustion front insulation		8 716 142 200 0	23	NG	■												
11	Combustion side insulation		8 716 142 202 0	23	LPG	■												
11	Combustion side insulation		8 716 142 202 0	23	NG	■												
12	Combustion chamber front-sides		8 716 100 021 0	40	LPG	■												
12	Combustion chamber front-sides		8 716 100 021 0	40	NG	■												
13	Primary h.w. thermistor clip		8 716 148 303 0	12	LPG	■												
13	Primary h.w. thermistor clip		8 716 148 303 0	12	NG	■												
14	Central heating sensor (pps)		8 716 142 384 0	29	LPG	■												
14	Central heating sensor (pps)		8 716 142 384 0	29	NG	■												
15	Gas-water heat exchanger		8 716 142 800 0	55	LPG	■												
15	Gas-water heat exchanger		8 716 142 800 0	55	NG	■												
16	Overheat thermostat		8 716 142 303 0	39	LPG	■												
16	Overheat thermostat		8 716 142 303 0	39	NG	■												
17	Screw m3x6mm zc pl p/h taptite		2 914 411 411 0	18	LPG	■												
17	Screw m3x6mm zc pl p/h taptite		2 914 411 411 0	18	NG	■												
18	Clip - heat exchanger		8 716 148 300 0	13	LPG	■												
18	Clip - heat exchanger		8 716 148 300 0	13	NG	■												
19	Screw no.8x1/2 f/h type b self tap.		2 912 421 225 0	16	LPG	■												
19	Screw no.8x1/2 f/h type b self tap.		2 912 421 225 0	16	NG	■												
20	Pipe - air vent		8 716 120 047 0	33	LPG	■												
20	Pipe - air vent		8 716 120 047 0	33	NG	■												
21	Air-vent automatic 3/8 (ss kit)		8 716 140 500 0	35	LPG	■												
21	Air-vent automatic 3/8 (ss kit)		8 716 140 500 0	35	NG	■												
22	O-ring 2.62 X 15.54 id ep		8 716 140 805 0	15	LPG	■												
22	O-ring 2.62 X 15.54 id ep		8 716 140 805 0	15	NG	■												
23	Clamp spring		8 716 148 317 0	02	LPG	■												
23	Clamp spring		8 716 148 317 0	02	NG	■												
24	O-ring 2.62 X 17.86		8 716 140 806 0	15	LPG	■												
24	O-ring 2.62 X 17.86		8 716 140 806 0	15	NG	■												
25	Inner casIng cover		8 716 100 075 0	38	LPG	■												
25	Inner casIng cover		8 716 100 075 0	38	NG	■												
26	Screw no8 x 1 pozi fl hd st ms zp		2 912 421 029 0	08	LPG	■												
26	Screw no8 x 1 pozi fl hd st ms zp		2 912 421 029 0	08	NG	■												
24CDI-OSN 24CDI-OSP			Superstructure D														2	

Spare parts list



6720900079.AA

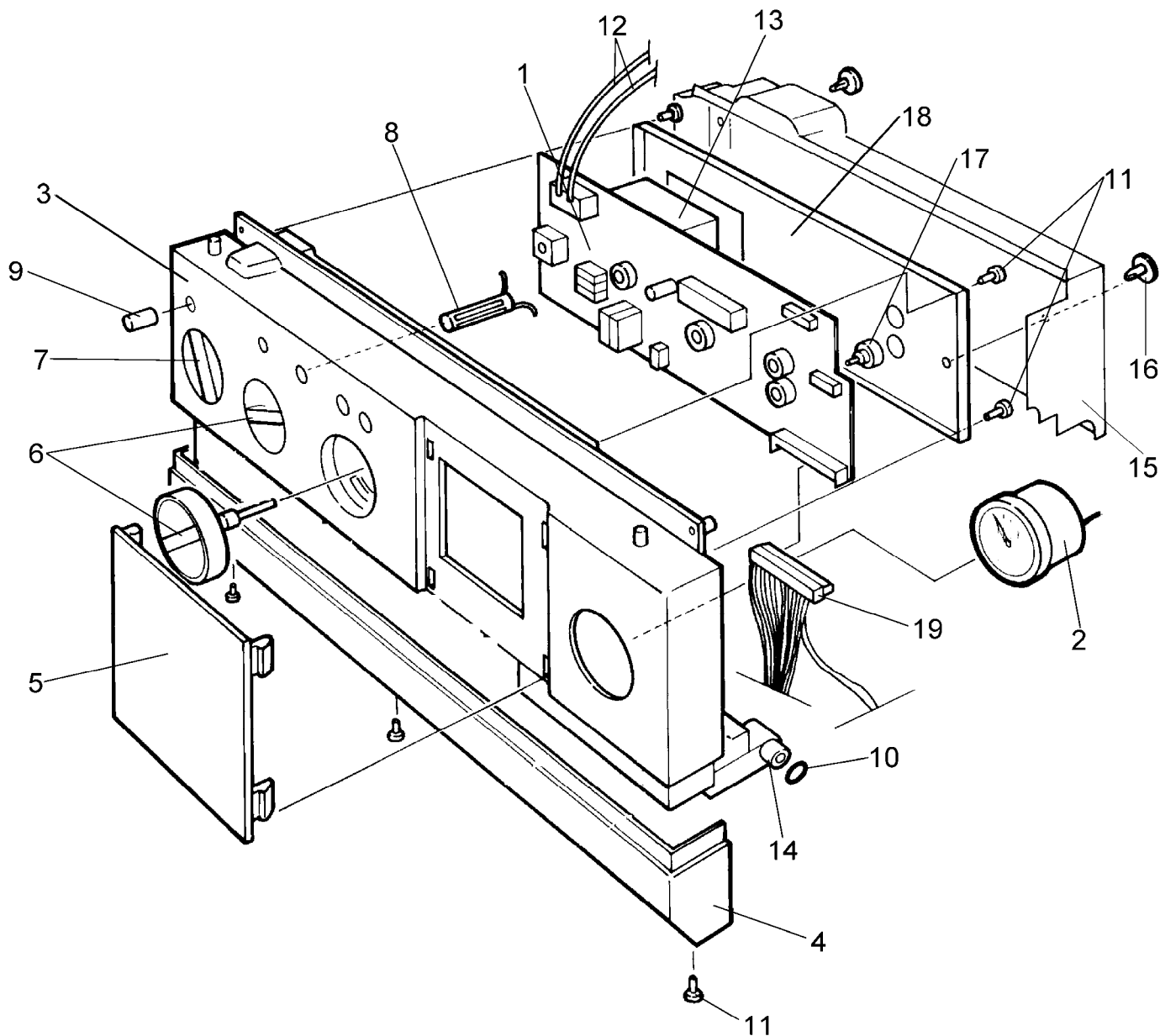
Superstructure
D

24CDI-OSN 24CDI-OSP

2

Pos	description	S-Nr	ordering no.	PG	gas type	24CDI-OSN	24CDI-OSP														remarks
27	Burner gauze		8 716 142 601 0	27	LPG	■															
27	Burner gauze		8 716 142 601 0	27	NG	■															
28	Main burner aeroMatic - lpg		8 716 142 600 0	51	LPG	■															
28	Main burner aeromatic		8 716 142 602 0	51	NG	■															
29	Main burner injector set		8 716 140 208 0	20	NG	■															
29	Main burner injector - lpg		8 716 140 209 0	20	LPG	■															
30	Electrode spark		8 716 105 186 0		LPG	■															AFTER FD292
30	Electrode spark		8 716 105 186 0		NG	■															AFTER FD292
30	Spark electrode assembly		8 716 142 100 0	27	LPG	■															BEFORE FD292
30	Spark electrode assembly		8 716 142 100 0	27	NG	■															BEFORE FD292
31	Flame sence electrode and harness		8 716 120 345 0	35	LPG	■															
31	Flame sence electrode and harness		8 716 120 345 0	35	NG	■															
32	Flue gas supervisor harness		8 716 120 238 0	35	LPG	■															
32	Flue gas supervisor harness		8 716 120 238 0	35	NG	■															
33	Pipe - primary return		8 716 120 332 0		LPG	■															
33	Pipe - primary return		8 716 120 332 0		NG	■															
34	Nut m4 extended		8 716 140 102 0		LPG	■															
34	Nut m4 extended		8 716 140 102 0		NG	■															
	Combustion insulation pack		7 716 192 204 0		LPG	■															
	Combustion insulation pack		7 716 192 204 0		NG	■															
	CDi-fuse pack		7 716 192 206 0		LPG	■															
	CDi-fuse pack		7 716 192 206 0		NG	■															
24CDI-OSN 24CDI-OSP			Superstructure D																	2	

Spare parts list



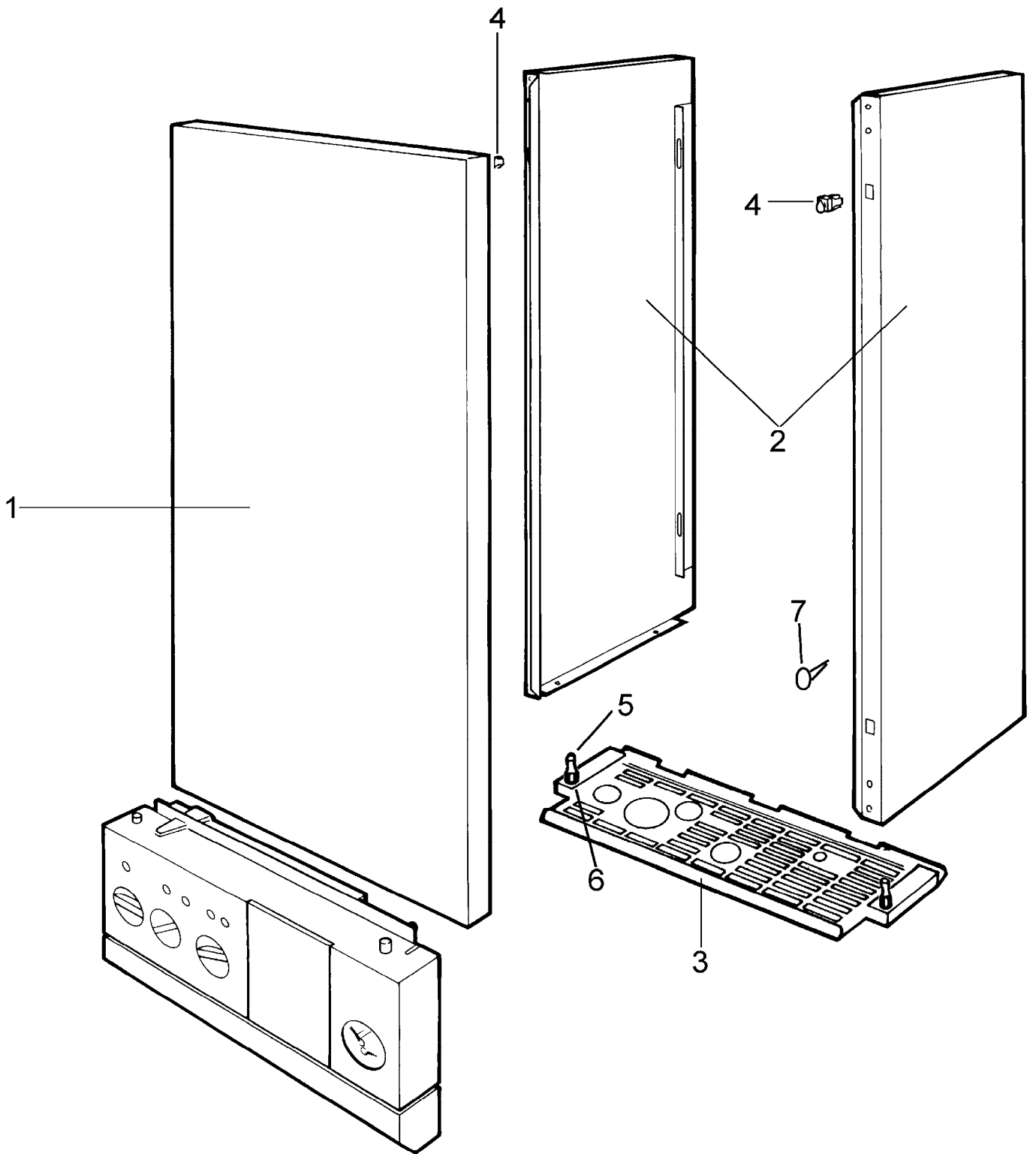
6720900066.AA

Electrical Box Assembly
D

24CDI-OSN 24CDI-OSP

3

Spare parts list



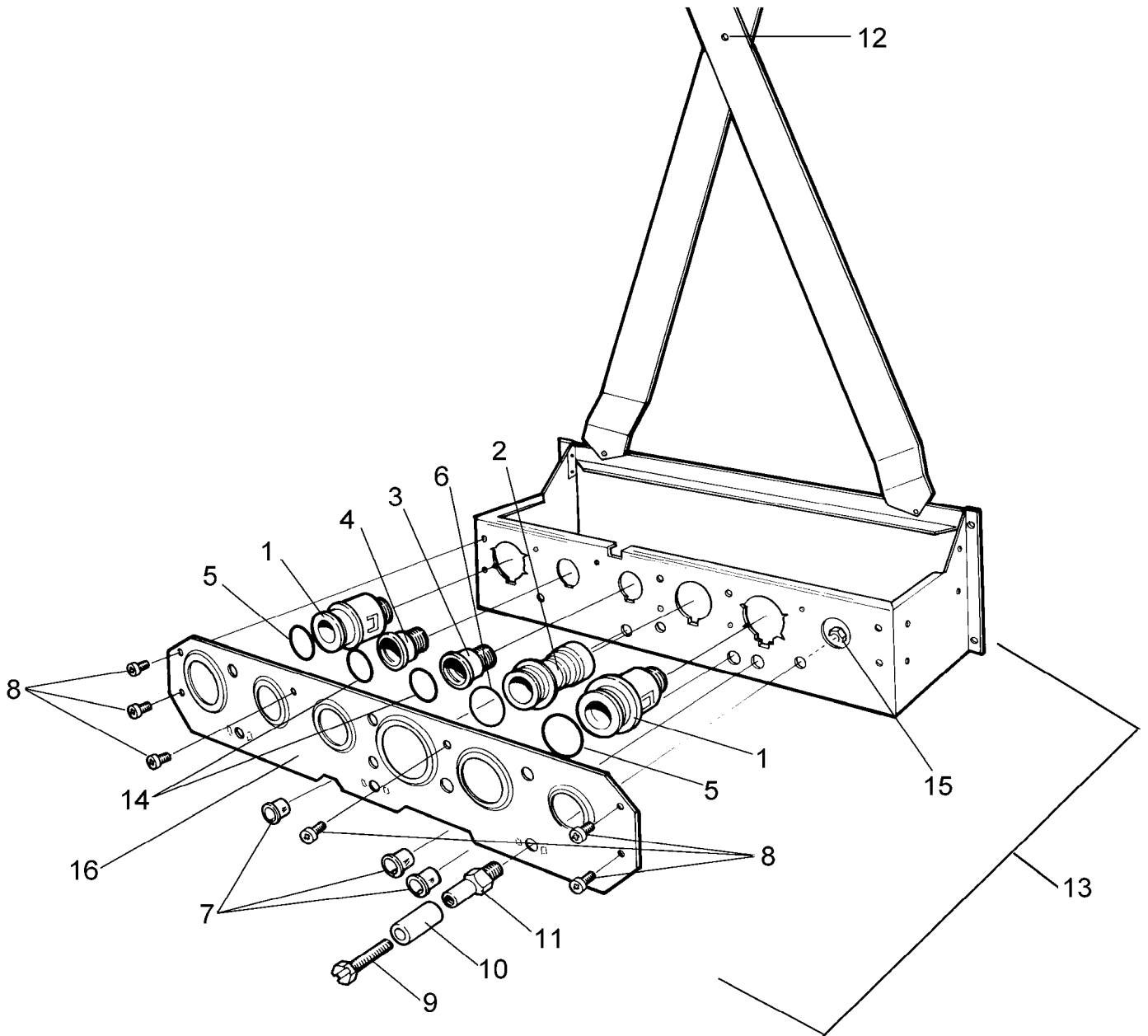
6720900080.AA

Casing
D

4

24CDI-OSN 24CDI-OSP

Spare parts list



6720900068.AA

Wall Mounting assy
D

24CDI-OSN 24CDI-OSP

5

**ADDITIONAL SPARE PARTS
FOR APPLIANCE
NOT DRAWN**

9099

6720900999.AA

Additional Spare Part
D

9

24CDI-OSN 24CDI-OSP

List of translations

Pos				
1				
2				
3				
4				
5				
6				
7				
8				
9				
10				
11				
12				
13				
14				
15				
16				
17				
18				
19				
20				
21				
22				
23				
24				
25				
26				
27				
28				
29				
30				
31				
32				
33				
34				
35				
36				
37				
38				
39				
40				
41				
42				
43				
44				
45				
46				
47				
48				
49				
50				
51				
52				
55				
58				
Pos				

List of translations

2				
1				
2				
3				
4				
5				
6				
7				
8				
9				
10				
11				
12				
13				
14				
15				
16				
17				
18				
19				
20				
21				
22				
23				
24				
25				
26				
27				
28				
29				
30				
31				
32				
33				
34				
3				
1				
2				
3				
4				
5				
6				
7				
8				
9				
10				
11				
12				
13				
14				
15				
Pos				
16				
17				
18				
4				

