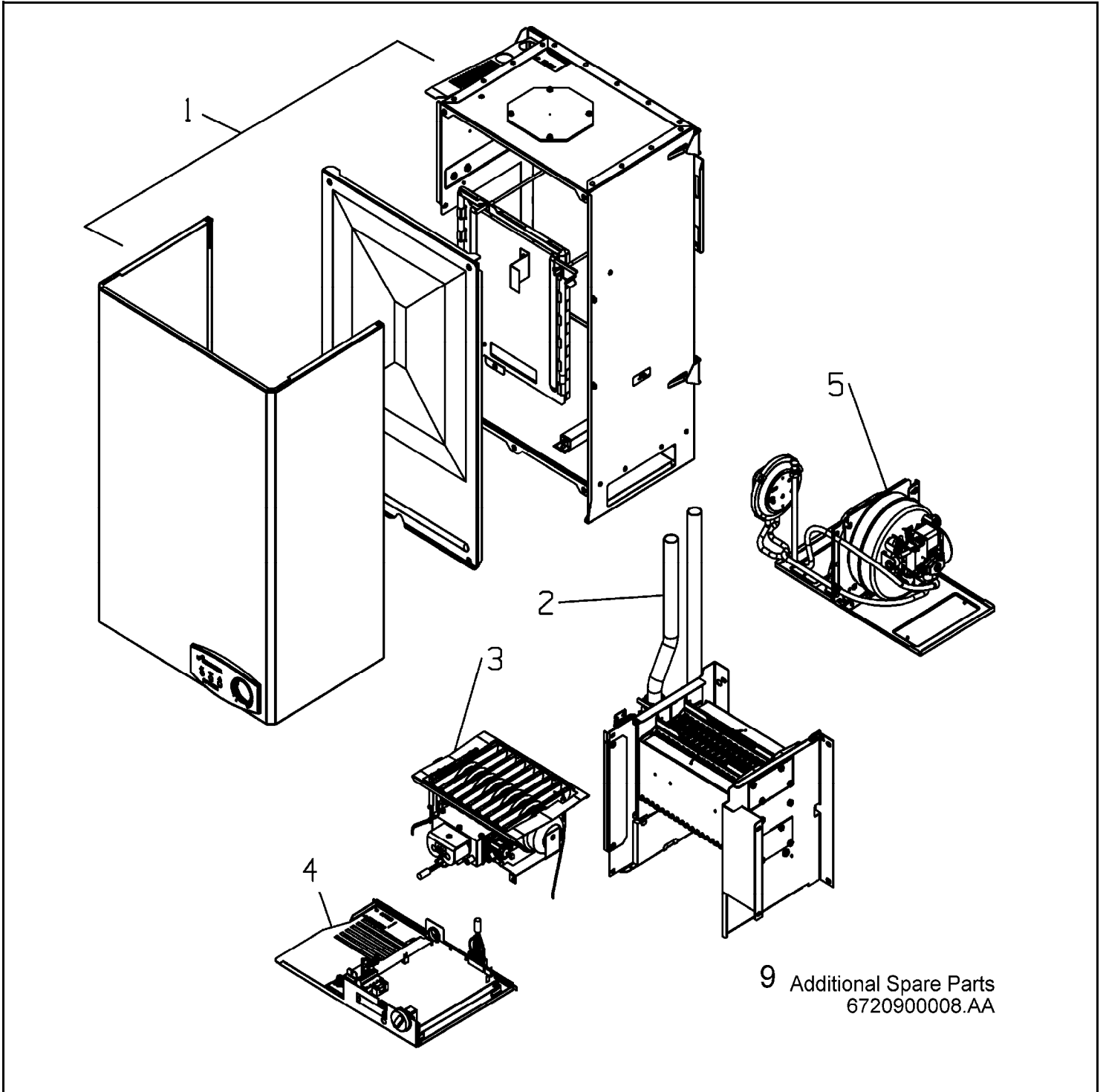
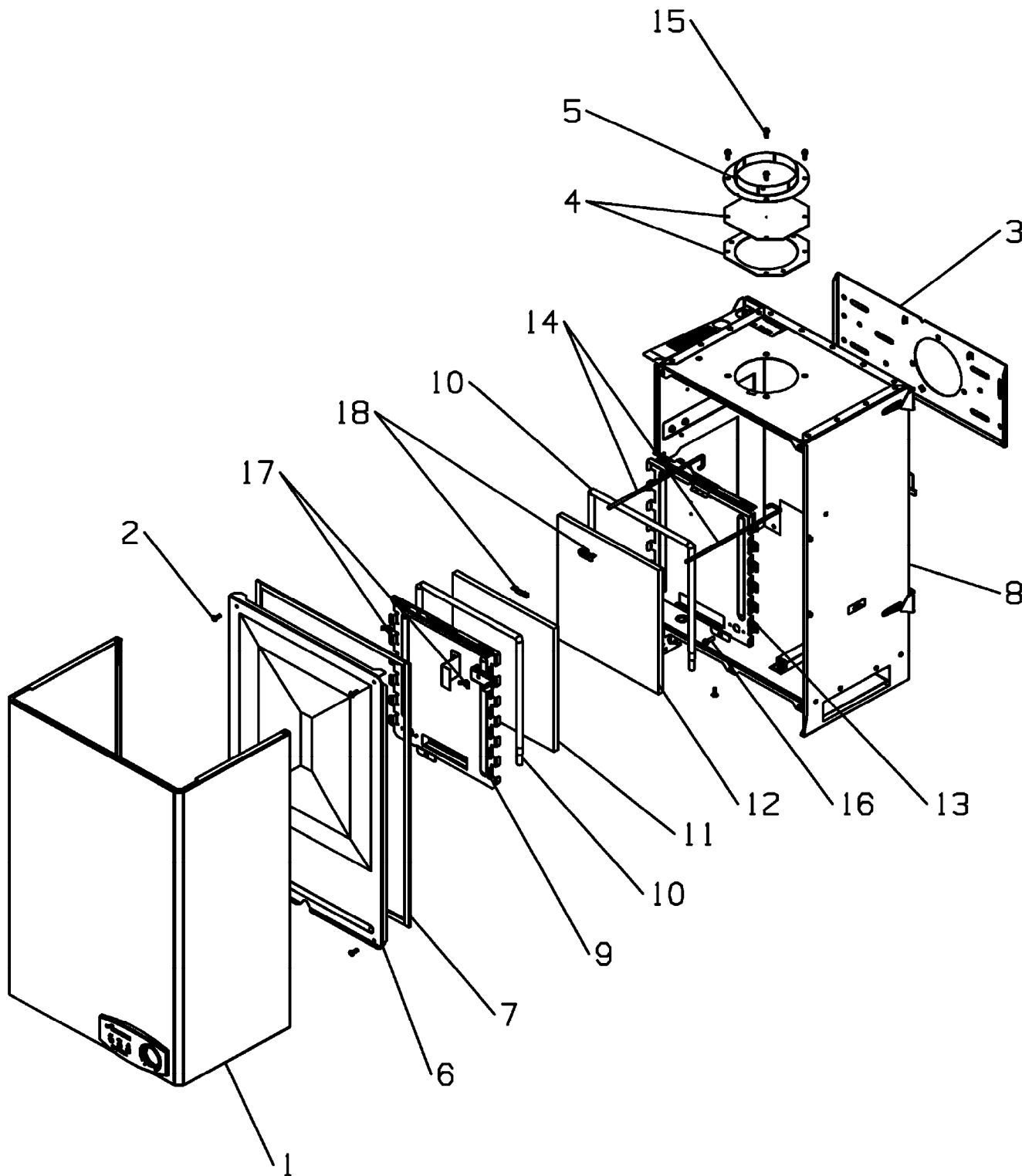


9/14 CBI



Spare parts list



672090900009.AA

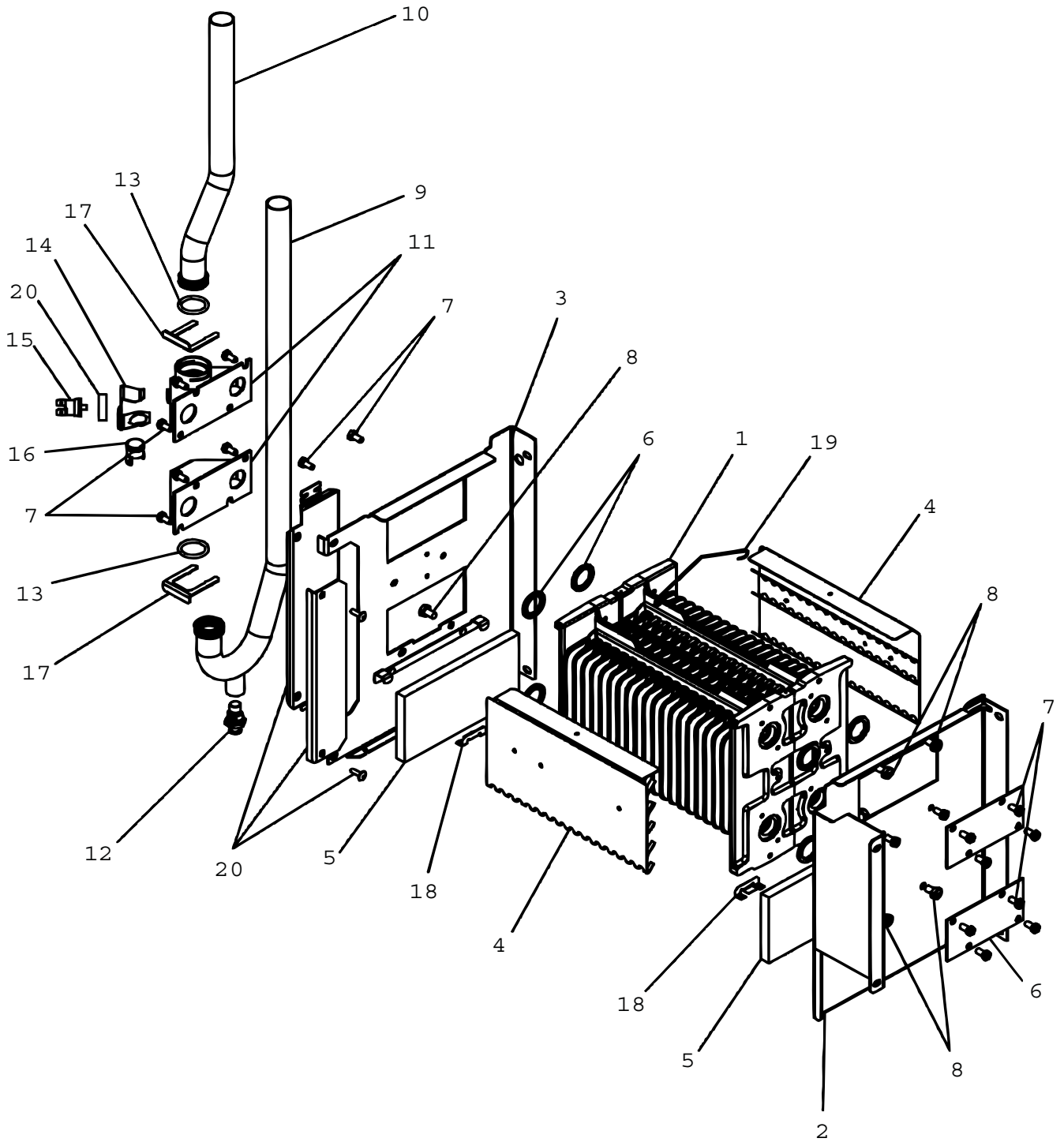
Superstructure / Case
D

9/14 CBI-FON 9/14 CBI-FOP

1

Pos	description	S-Nr	ordering no.	PG	gas type	9/14 CBI-FON	9/14 CBI-FOP													remarks
1	Casing assembly		8 716 104 545 0		LPG	■														
1	Casing assembly		8 716 104 545 0		NG	■														
2	Screw no.8x1/2 f/h type b self tap.		2 912 421 225 0	16	LPG	■														
2	Screw no.8x1/2 f/h type b self tap.		2 912 421 225 0	16	NG	■														
3	Wall plate		8 716 101 636 0		LPG	■														
3	Wall plate		8 716 101 636 0		NG	■														
4	Blanking plate/casing		8 716 101 598 0		LPG	■														
4	Blanking plate/casing		8 716 101 598 0		NG	■														
5	Flue spigot		8 716 101 592 0		LPG	■														
5	Flue spigot		8 716 101 592 0		NG	■														
6	Inner case door assy		8 716 121 794 0		LPG	■														
6	Inner case door assy		8 716 121 794 0		NG	■														
7	Inner door seal		8 716 140 956 0		LPG	■														
7	Inner door seal		8 716 140 956 0		NG	■														
8	Superstructure assembly		8 716 103 157 0		LPG	■														
8	Superstructure assembly		8 716 103 157 0		NG	■														
9	Combustion chamber front assembly		8 716 121 771 0		LPG	■														
9	Combustion chamber front assembly		8 716 121 771 0		NG	■														
10	Rope glass fibre 10mm		8 716 103 120 0		LPG	■														
10	Rope glass fibre 10mm		8 716 103 120 0		NG	■														
11	Insulation front		8 716 103 125 0		LPG	■														
11	Insulation front		8 716 103 125 0		NG	■														
12	Insulation rear		8 716 103 124 0		LPG	■														
12	Insulation rear		8 716 103 124 0		NG	■														
13	Combustion chamber rear assembly		8 716 121 800 0		LPG	■														
13	Combustion chamber rear assembly		8 716 121 800 0		NG	■														
14	J-bolt		8 716 143 074 0		LPG	■														
14	J-bolt		8 716 143 074 0		NG	■														
15	Screw no.8x12 hex pozi		8 716 155 073 0		LPG	■														
15	Screw no.8x12 hex pozi		8 716 155 073 0		NG	■														
16	Screw m5x16mm hexagon slotted head		2 911 131 158 0		LPG	■														
16	Screw m5x16mm hexagon slotted head		2 911 131 158 0		NG	■														
17	Nut-wing m5 ms zn pl table 2		2 915 191 105 0	15	LPG	■														
17	Nut-wing m5 ms zn pl table 2		2 915 191 105 0	15	NG	■														
18	Retainer - insulation		8 716 148 362 0		LPG	■														
18	Retainer - insulation		8 716 148 362 0		NG	■														
9/14 CBI-FON 9/14 CBI-FOP			Superstructure / Case D																1	

Spare parts list



6720900010.AA

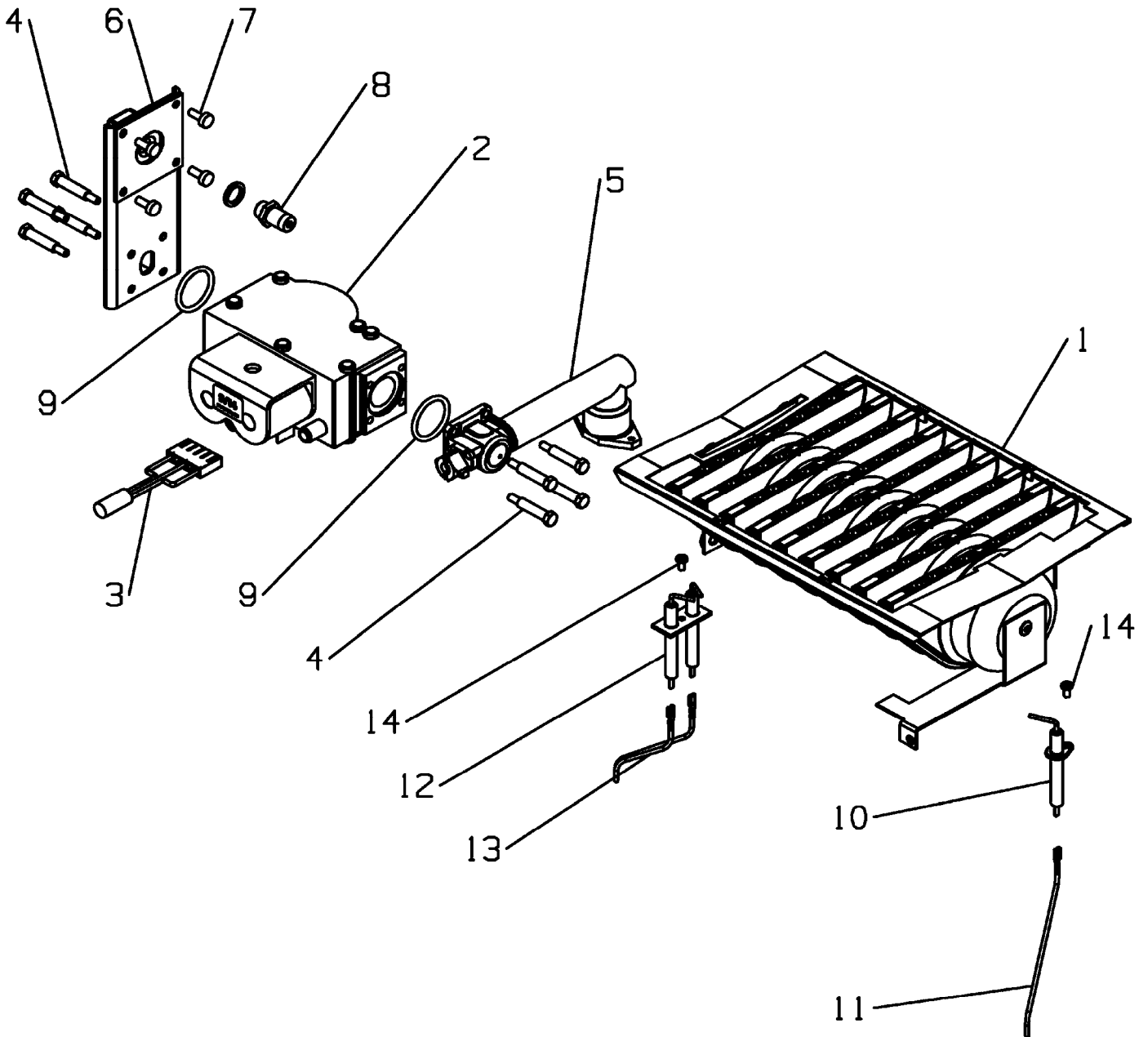
Heat exchanger / Pipes
D

9/14 CBI-FON 9/14 CBI-FOP

2

Pos	description	S-Nr	ordering no.	PG	gas type	9/14 CBI-FON	9/14 CBI-FOP											remarks
1	Heat exchanger assembly		8 716 121 699 0		LPG	■												
1	Heat exchanger assembly		8 716 121 699 0		NG	■												
2	Side plate r.h. assembly 15cbi		8 716 101 806 0		LPG	■												
2	Side plate r.h. assembly 15cbi		8 716 101 806 0		NG	■												
3	Side plate l.h. assembly		8 716 101 805 0		LPG	■												
3	Side plate l.h. assembly		8 716 101 805 0		NG	■												
4	Baffle assembly short		8 716 103 121 0		LPG	■												
4	Baffle assembly short		8 716 103 121 0		NG	■												
5	Insulation sides		8 716 156 852 0		LPG	■												
5	Insulation sides		8 716 156 852 0		NG	■												
6	O-Ring kit ht/exchanger		8 716 101 797 0		LPG	■												
6	O-Ring kit ht/exchanger		8 716 101 797 0		NG	■												
7	Screw m5 x 8 lg hex slot hd		2 911 121 150 0		LPG	■												
7	Screw m5 x 8 lg hex slot hd		2 911 121 150 0		NG	■												
8	Screw m6x10mm bzp slt p/h m/s		2 910 001 191 0		LPG	■												
8	Screw m6x10mm bzp slt p/h m/s		2 910 001 191 0		NG	■												
9	Pipe - c/h assembly		8 716 154 015 0		LPG	■												
9	Pipe - c/h assembly		8 716 154 015 0		NG	■												
10	Pipe - c/h assembly		8 716 154 013 0		LPG	■												
10	Pipe - c/h assembly		8 716 154 013 0		NG	■												
11	Heatexchanger manifolds		8 716 148 073 0		LPG	■												
11	Heatexchanger manifolds		8 716 148 073 0		NG	■												
12	Drain Screw assembly		8 716 120 037 0	21	LPG	■												
12	Drain Screw assembly		8 716 120 037 0	21	NG	■												
13	O-Ring 3.0 sec x 21.5 i/d e.p.		8 716 140 826 0		LPG	■												
13	O-Ring 3.0 sec x 21.5 i/d e.p.		8 716 140 826 0		NG	■												
14	Clip - spring retaining		8 716 148 365 0		LPG	■												
14	Clip - spring retaining		8 716 148 365 0		NG	■												
15	Overheat thermostat		8 716 142 399 0		LPG	■												
15	Overheat thermostat		8 716 142 399 0		NG	■												
16	Ntc/thermister dhw		8 716 142 302 0	17	LPG	■												
16	Ntc/thermister dhw		8 716 142 302 0	17	NG	■												
17	Clip - retaining		8 716 148 322 0		LPG	■												
17	Clip - retaining		8 716 148 322 0		NG	■												
18	Retainer - insulation		8 716 148 362 0		LPG	■												
18	Retainer - insulation		8 716 148 362 0		NG	■												
19	Clip - baffle retaining		8 716 101 938 0		LPG	■												
19	Clip - baffle retaining		8 716 101 938 0		NG	■												
20	Access plate c/w back plate & Screws		8 716 101 830 0		LPG	■												
20	Access plate c/w back plate & Screws		8 716 101 830 0		NG	■												
9/14 CBI-FON 9/14 CBI-FOP			Heat exchanger / Pipes D															
2																		

Spare parts list



6720900011.AA

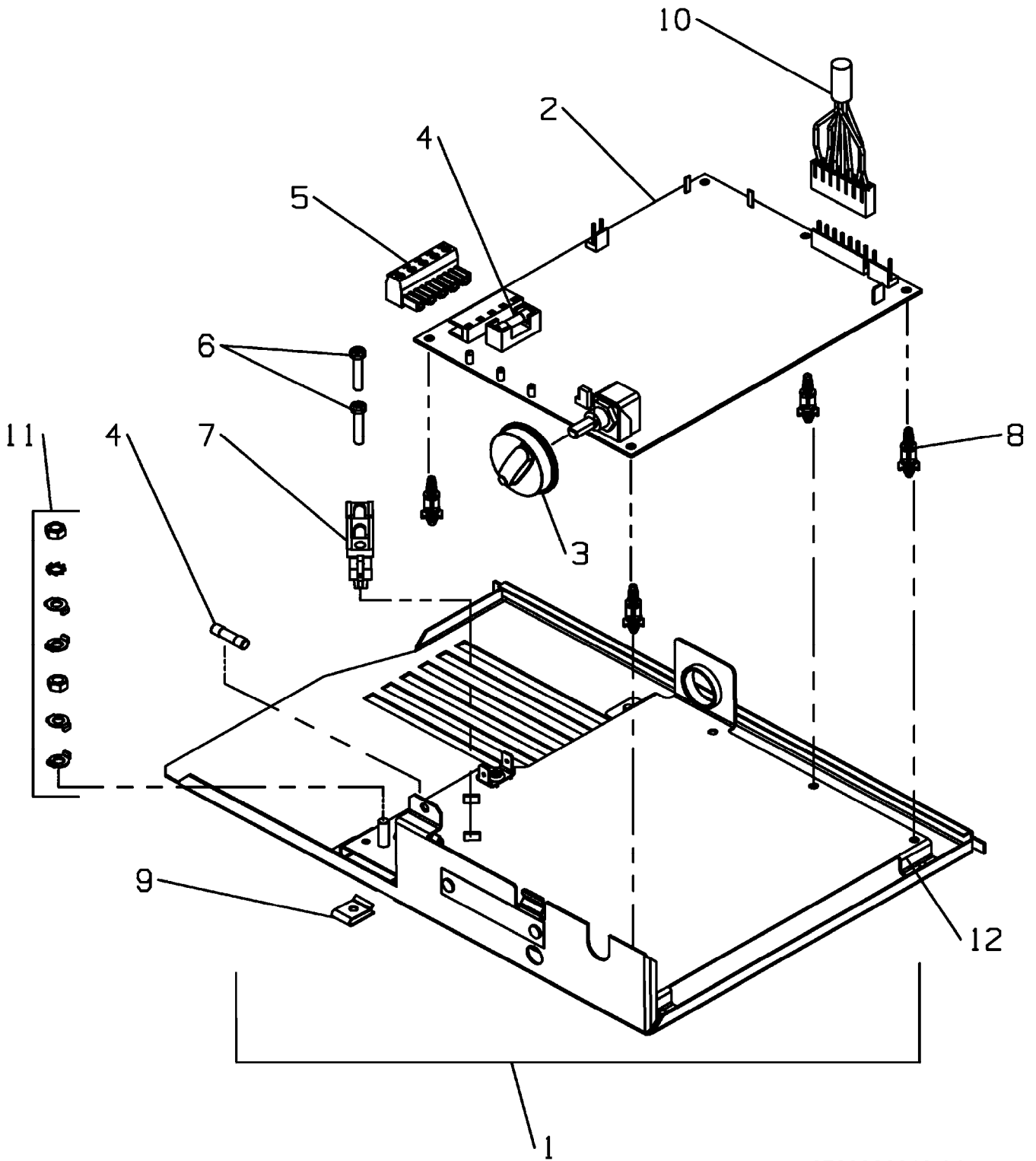
Gas valve/ Burner
D

9/14 CBI-FON 9/14 CBI-FOP

3

Pos	description	S-Nr	ordering no.	PG	gas type	9/14 CBI-FON	9/14 CBI-FOP														remarks
1	Burner assembly lpg		8 716 103 210 0		LPG	■															
1	Burner assembly		8 716 121 773 0		NG	■															
2	Gas valve cbi		8 716 156 769 0		LPG	■															
2	Gas valve cbi		8 716 156 769 0		NG	■															
3	Harness gas valve		8 716 121 786 0		LPG	■															
3	Harness gas valve		8 716 121 786 0		NG	■															
4	Screw m4 x 29 lg zp hex head		2 911 051 134 0		LPG	■															
4	Screw m4 x 29 lg zp hex head		2 911 051 134 0		NG	■															
5	Gas cock - inlet assembly		8 716 156 768 0		LPG	■															
5	Gas cock - inlet assembly		8 716 156 768 0		NG	■															
6	Gas manifold		8 716 154 014 0		LPG	■															
6	Gas manifold		8 716 154 014 0		NG	■															
7	Screw M4x10 lg pozi pan hd m/c		2 912 301 120 0	12	LPG	■															
7	Screw M4x10 lg pozi pan hd m/c		2 912 301 120 0	12	NG	■															
8	Injector burner 2.1mm lpg		8 716 102 407 0		LPG	■															
8	Burner injector 3.4mm		8 716 146 282 0		LPG	■															
8	Burner injector 3.4mm		8 716 146 282 0		NG	■															
9	O-Ring 2.62x22.23 id h-nitrile		8 716 140 827 0		LPG	■															
9	O-Ring 2.62x22.23 id h-nitrile		8 716 140 827 0		NG	■															
10	Electrode sence		8 716 105 185 0		LPG	■															AFTER FD290
10	Electrode sence		8 716 105 185 0		NG	■															AFTER FD290
10	Electrode sensor		8 716 142 139 0		LPG	■															BEFORE FD290
10	Electrode sensor		8 716 142 139 0		NG	■															: BEFORE FD290
11	Spark elec lead assy		8 716 121 805 0		LPG	■															
11	Spark elec lead assy		8 716 121 805 0		NG	■															
12	Electrode spark		8 716 105 186 0		LPG	■															AFTER FD290
12	Electrode spark		8 716 105 186 0		NG	■															AFTER FD290
12	Electrode spark		8 716 142 140 0		LPG	■															BEFORE FD290
12	Electrode spark		8 716 142 140 0		NG	■															BEFORE FD290
13	Sensor elec lead		8 716 142 137 0		LPG	■															
13	Sensor elec lead		8 716 142 137 0		NG	■															
14	Nut m4 extended		8 716 140 102 0		LPG	■															
14	Nut m4 extended		8 716 140 102 0		NG	■															
9/14 CBI-FON 9/14 CBI-FOP			Gas valve/ Burner D																	3	

Spare parts list



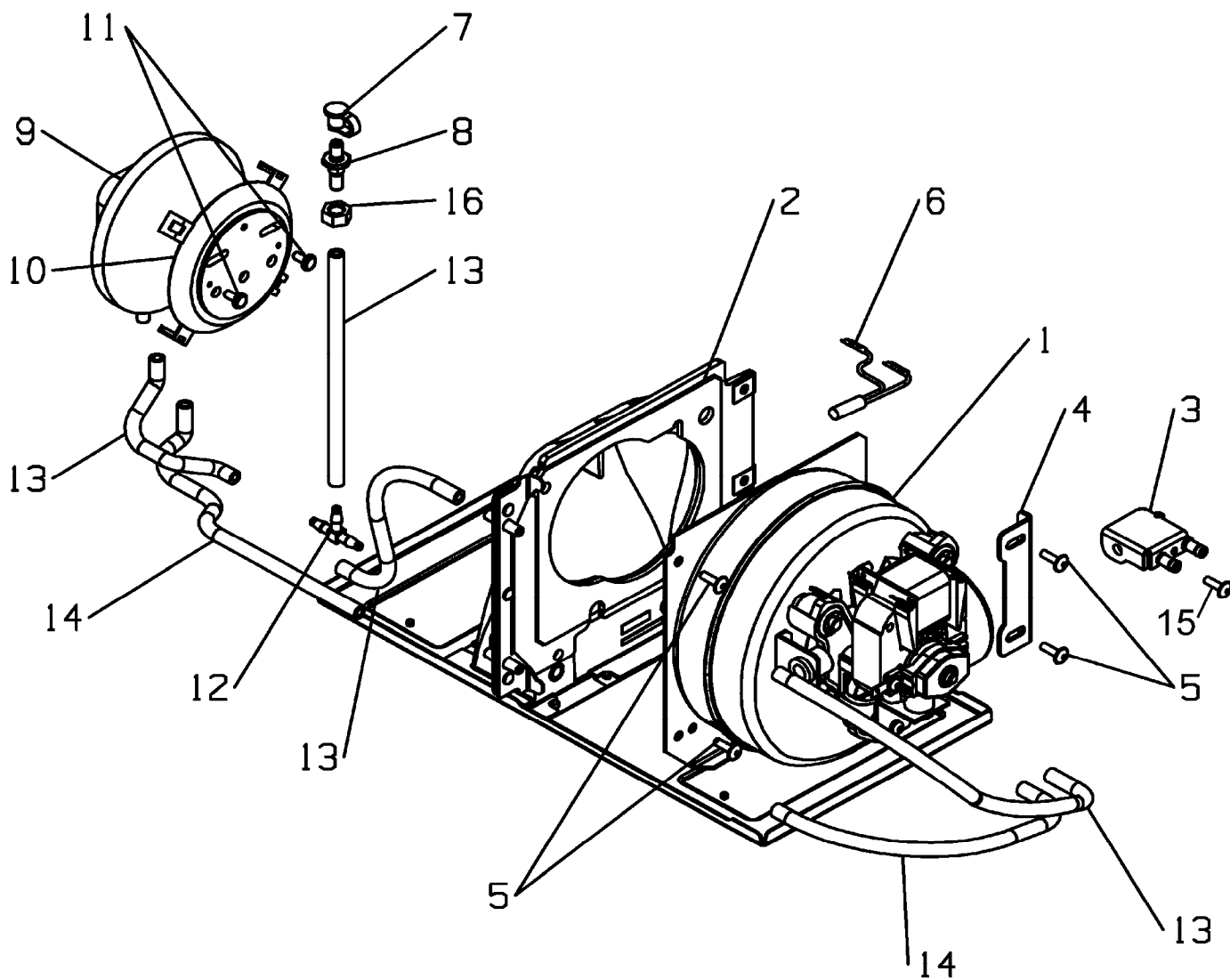
6720900013.AA

Electrical Box Assembly
D

9/14 CBI-FON 9/14 CBI-FOP

4

Spare parts list



6720900012.AA

Fan / Pressure Switch
D

9/14 CBI-FON 9/14 CBI-FOP

5

**ADDITIONAL SPARE PARTS
FOR APPLIANCE
NOT DRAWN**

9099

6720900999.AA

Additional Spare Part
D

9/14 CBI-FON 9/14 CBI-FOP

9

Pos	description	S-Nr	ordering no.	PG	gas type	9/14 CBI-FON	9/14 CBI-FOP													remarks
	CONVERSION KIT LPG TO NAT GAS 9/14 CBI		7 716 192 269		LPG	■														
	CONVERSION KIT LPG TO NAT GAS 9/14 CBI		7 716 192 269		NG	■														
	CONVERSION KIT NAT GAS TO LPG 9/14 CBI		7 716 192 270		LPG	■														
	CONVERSION KIT NAT GAS TO LPG 9/14 CBI		7 716 192 270		NG	■														
	Gas section sealing kit		8 716 101 798 0		LPG	■														
	Gas section sealing kit		8 716 101 798 0		NG	■														
	Service kit 15/24cbi		8 716 101 799 0		LPG	■														
	Service kit 15/24cbi		8 716 101 799 0		NG	■														
	Insulation kit 15cbi		8 716 101 854 0		LPG	■														
	Insulation kit 15cbi		8 716 101 854 0		NG	■														
	Facia panel		8 716 103 182 0		LPG	■														
	Facia panel		8 716 103 182 0		NG	■														
	Hardware - literature pack		8 716 103 185 0		LPG	■														
	Hardware - literature pack		8 716 103 185 0		NG	■														
	CBI series user manual		8 716 103 191 0		LPG	■														
	CBI series user manual		8 716 103 191 0		NG	■														
	CBI series serv & inst manual		8 716 103 192 0		LPG	■														
	CBI series serv & inst manual		8 716 103 192 0		NG	■														
	Restrictor plate kit		8 716 103 193 0		LPG	■														
	Restrictor plate kit		8 716 103 193 0		NG	■														
9/14 CBI-FON 9/14 CBI-FOP			Additional Spare Part D																9	

List of translations

Pos				
1				
2				
3				
4				
5				
6				
7				
8				
9				
10				
11				
12				
13				
14				
15				
16				
17				
18				
2				
1				
2				
3				
4				
5				
6				
7				
8				
9				
10				
11				
12				
13				
14				
15				
16				
17				
18				
19				
20				
3				
1				
2				
3				
4				
5				
6				
7				
8				
9				
10				
11				
12				
13				
14				
4				
1				
Pos				

