

Note: If the gas supply is across the hearth, ensure that the supply pipe is located through the purpose-provided slot in the fascia casting.(Figure 12, below)

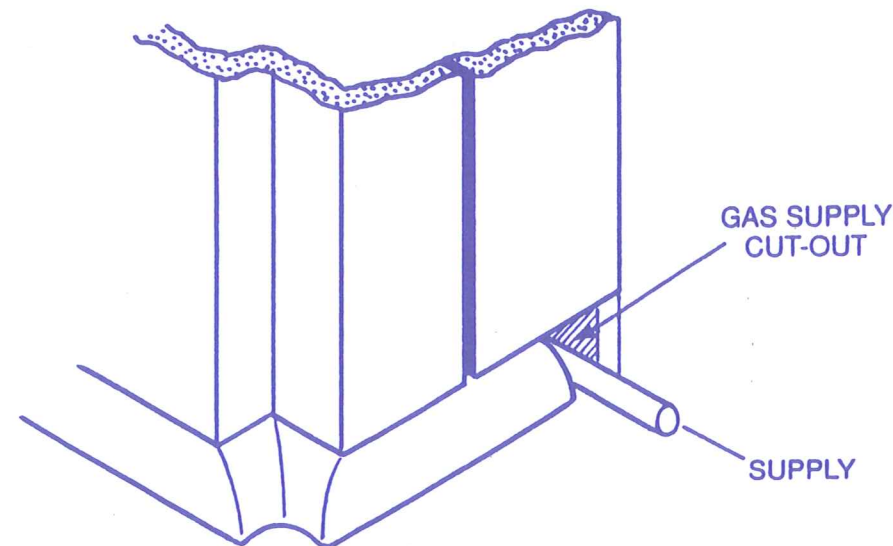


Figure 12 - The correct fascia position with an exposed gas supply

On relighting the fire it may be found that the fuel-bed takes some 10-15 minutes to glow, and that the flames are mainly of blue appearance until the appliance has completely warmed through. This is normal.

SERVICING & MAINTENANCE

All gas fires must be regularly serviced. It should be serviced annually by a CORGI registered installer (*ie* British Gas) for the safety of all users. It is the Law that this work is carried out by a competent person.

The space behind the appliance should be kept clear of any debris from the chimney to ensure the flue remains unblocked at all times. The appliance and chimney or flue should be inspected annually.

Any airbrick or ventilation grille installed into the room should be kept clear at all times.

In any correspondence with the original supplier please quote the model, GC Number, and serial number, which can be found inside the gas control access door.

SPARE PARTS

The following spare parts are consumer-replaceable. Never fit non-standard parts as this might constitute a hazard.

Use only the correct manufacturers spares. Use only the correct number of firebed components, and install them as described in these instructions procedures.

PART NUMBERS	
Part No.	Description
9770004	Coal Matrix
9780027	Front Coals x 2
9780036	Dress Coal Set
9550057	Glass Panel Assembly

Wonderfire

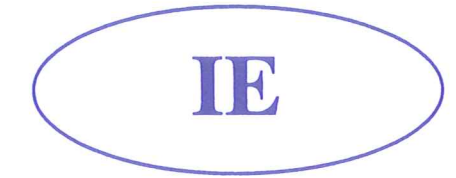
Senator / Liberty

INSET LIVE FUEL-EFFECT APPLIANCES

MODELS

NATURAL GAS
9500260

PROPANE
9500261



USERS and MAINTENANCE INSTRUCTIONS (Please leave with the User)

These instructions have been written to ensure the proper care of this fire.
Please read them carefully before attempting to use the fire for the first time.
Keep these instructions handy for future reference.

Replacing the glass

Take the glass frame assembly and offer up centrally to the fabricated steel firebox. Insert the lower corners of the frame assembly into the U channel locations on the firebox. Line up the upper location points and with the thumb screws provided tighten the upper section of the glass assembly onto the firebox. To ensure a tight seal is achieved, the use of a flat headed screwdriver will be required in order to bed down a new seal.

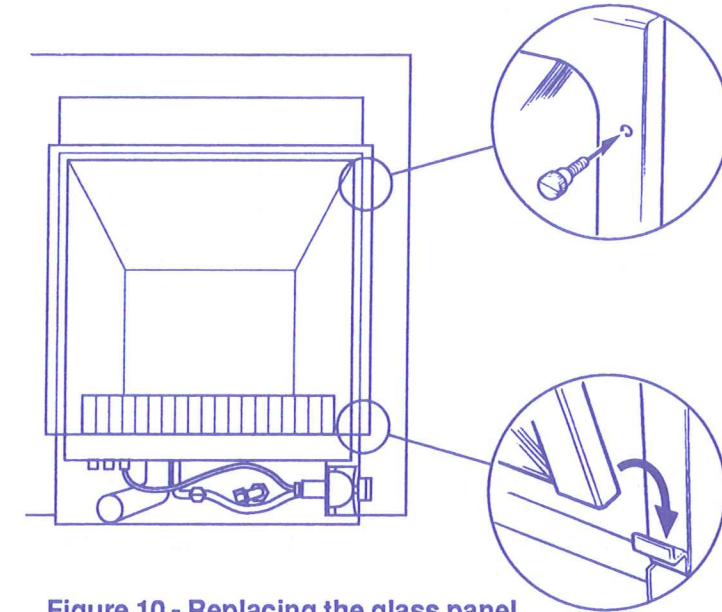


Figure 10 - Replacing the glass panel

Replacing the facia

If you had assistance in removing the facia, ensure further assistance when replacing this heavy item.

Carefully lift the facia into a position square to the chassis frame of the fire, some 1" above the chassis frame, and 1" (25mm) away from the locators provided in the sheet metal of the frame (Figure 11, below).

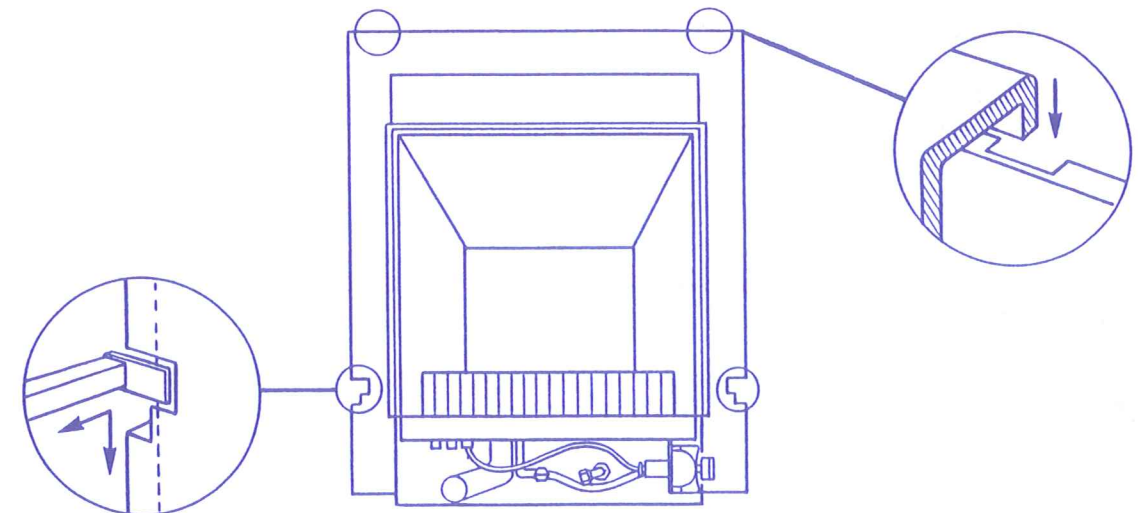


Figure 11 - Replacing the facia into the slots provided

Holding the facia about 1" above the height of the chassis frame, locate the fixing lugs cast into the rear of the facia into the slots provided in the chassis frame, and carefully lower the facia onto the hearth ensuring that no damage occurs to the finish of the facia, or to the hearth material.

All four facia lugs should locate into the slots, and the facia should sit squarely on the hearth, locating against the vertical surface of the fireplace.

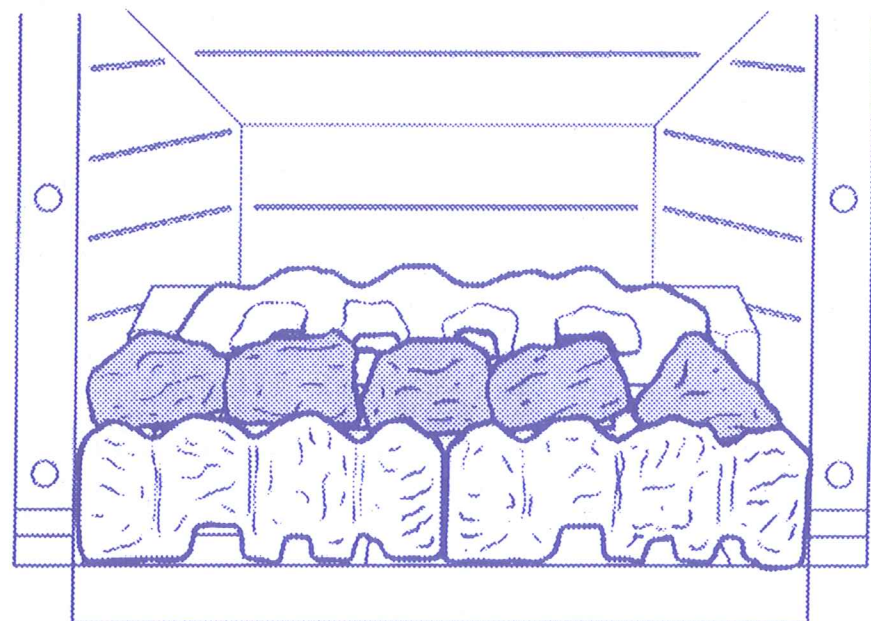


Figure 8 - Placing the first dress coals

Take care not to allow any part of the five dress coals to fall between the rear of the front coals and the vertical surface of the front of the burner. The correct position is shown in Figure 9 below.

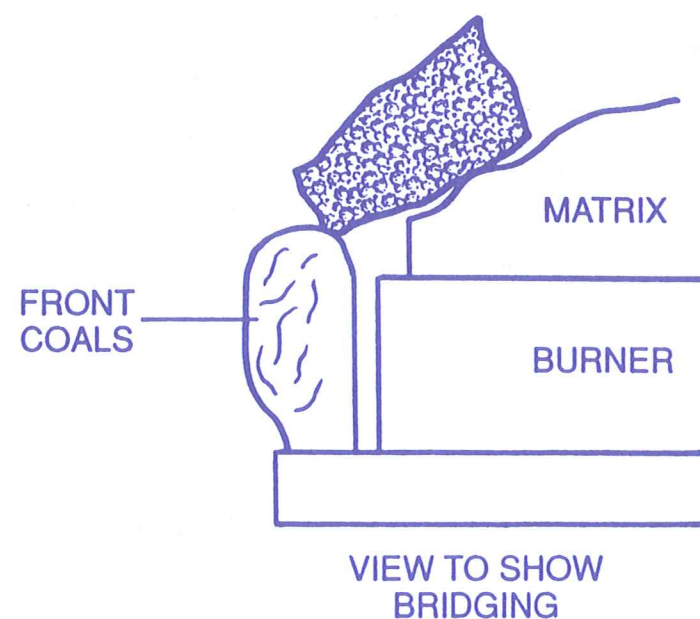


Figure 9 - Bridging the dress coals from matrix to front coals

Place the remaining nine dress coals in a random fashion in two rows of 5 and 4 coals respectively, above the first six coals previously placed as shown in figure 6.

Ensure an equal space between each coal for the best effect. Spaces between coals that are too large will allow unrealistic flames to occur.

INTRODUCTION

Senator/Liberty is an Inset Live Fuel-Effect fire. It uses moulded ceramic fibre shapes to simulate a coal effect. The burner is a patented vacuum-formed ceramic component which, when a gas and air mixture is injected, heats the coals and creates a uniquely realistic glowing heart to the fuel-bed.

Installation of this appliance must be undertaken by a competent person, and in accordance with the Installation Manual.

IMPORTANT NOTES

It is **IMPORTANT** that the coals are placed in accordance with these Instructions, to ensure the best performance and visual effect. Under no circumstances should additional coals be added to those supplied.

Senator is for use only with Natural Gas. Never attempt to use the appliance with other gas types.

Always use a fireguard complying with BS6539 or BS6778 when operating the fire in the presence of children or the elderly. Suitable fireguards are obtainable from fireplace stockists and multiple retailers such as Mothercare.

The hearth should be of non-combustible material.

The fire is lit by a piezo electronic spark generator. Batteries or an electrical supply are not required. Please see the Lighting Instructions (Page 2).

An odour may be noticeable when the new fire is first used. This event will be quite normal and there should be no cause for alarm

A.S.D. (Atmosphere Sensing Device).

If the appliance closes down after a period of operation for no apparent reason, the user should be informed to stop using the appliance, until the installation and appliance have been thoroughly checked.

Never throw paper, ash, or other materials on to your fire.

The fire should be inspected annually by a competent person.

The chimney should have been swept in accordance with the Servicing Instructions immediately prior to installation.

Debris from the chimney or other sources, together with any soot formed, should from time to time be removed by a competent person.

Any purpose-made ventilation should be checked periodically to ensure it is free from obstruction.

Please be aware that certain soft wallcoverings, such as vinyl, may stain when exposed to heat.

Use only genuine manufacturers spare parts.

Do not cover the the hearth with rugs or other combustible materials.

Do not obstruct convection air inlets or outlets.

Clothes should not be dried or aired over the fire or convection air outlets.

To prevent scorching, furniture should not be placed within two metres of the fire.

The distances to combustible shelves contained in the installation instructions must be observed.

The fire must not be fitted against a combustible wall.

Always switch the fire off and allow to cool before handling or cleaning. Note it is a characteristic of the design of this appliance that it retains heat for some time.

OPERATION OF THE FIRE

Please observe the Important Notes on page 1, before attempting to use this appliance.

Please read these instructions thoroughly before using the fire for the first time.

For your safety this appliance is manufactured with a Flame Sensing Device which will close off the gas supply - until re-set - in the event of any failure of the gas supply or flame.

Please keep these instructions in a safe place.

The Gas Control

This fire is controlled by a four-position gas control mounted on the lower right-hand side of the right hand column, behind a flush-fitting access door. In addition to the OFF position, there is a PILOT LIGHT position, and two HEAT CONTROL positions (Figure 1, below)

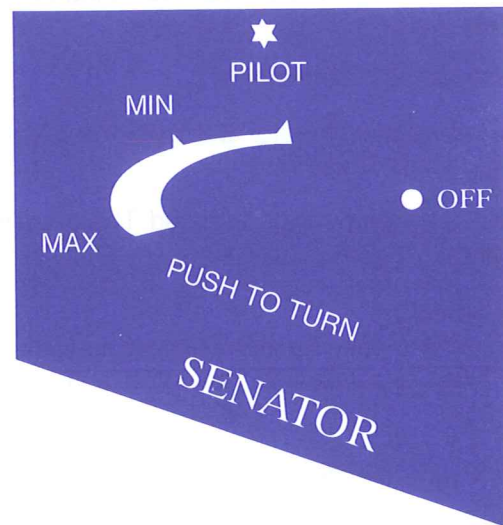


Figure 1 - The Ignition and Heat Control positions

Ignition of the fire is by an integral piezo generator which, upon operation, ignites the pilot flame. The main burner is lit from this pilot.

As a safety feature this fire is equipped with a flame-sensing device which will shut off the gas supply in the event that the flame is extinguished.

Lighting the Pilot

Ensure that the gas supply is on. Turn the gas control knob to the OFF position. Depress the control knob and turn anticlockwise until the PILOT position is reached. This action will allow gas to flow to the pilot, and also simultaneously operates the piezo spark generator which will ignite the pilot flame. Keep the knob depressed.

Observe the pilot flame is alight by viewing the lower edge of the fuel-bed on the left-hand side of the fire, through the cast iron fretwork above the fender. (Figure 2 overleaf). If the pilot flame does not light first time, repeat the lighting procedure until successful.

Once the pilot flame has become established, keep the control knob depressed for at least 10 seconds to allow the flame-sensing device to establish. When the control knob is released the pilot flame should remain established. If the pilot flame fails to establish, repeat the lighting procedure, this time keeping the knob depressed for longer.

Lighting the main burner

Once the pilot light has been established, the main burner can be lit by depressing and turning the control knob anticlockwise to the MAXIMUM position (Figure 1 above)

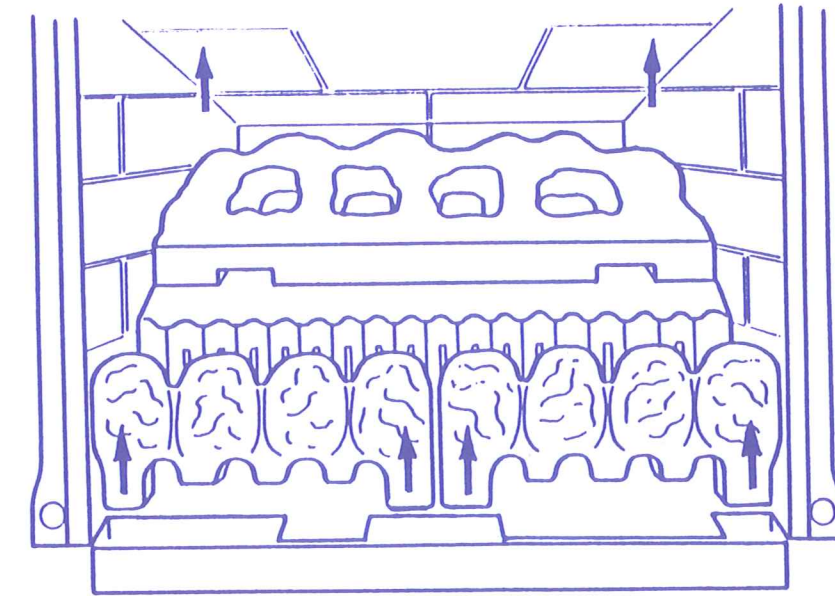


Figure 7 - Remove the front coals and matrix

The moulded coal matrix and pair of front coals may now be carefully removed by pulling up from their locations on the burner surface.

Note:
Any surface crazing of the ceramic surfaces of the burner, matrix, and fuel components is normal no cause for concern.
If debris from the chimney is noticed or there appears to be an excessive build-up of deposits, it should be removed by a competent person.

The burner surface will now be visible, and may be carefully cleaned along with the firebox and three flue outlets with a vacuum-cleaner FITTED WITH A SOFT BRUSH ATTACHMENT. Take care not to damage any of the ceramic surfaces by the cleaning action, as the performance of the fire may be affected.

To re-assemble the fuel-bed, follow these simple steps

The fuel-bed

This fire uses hard ceramic moulded two-piece front coals which should be handled with care. Each moulded piece should be placed in position in turn, with the 'coal' shapes facing out, locating into the rectangular slots in the front edge of the burner as shown in Figure 7 above.

Gently push downwards until the coal pieces are located securely, and the slotted area at their base touches the burner surface.

Place the moulded coal matrix (Figure 7 above) on the upper burner surface and locate it against the rear of the firebox in a central location.

Take five of the dress coals previously removed, placing them so that the more realistic surfaces may be seen from the front of the fire, and ensuring they bridge the space between the moulded front coal pieces (Figure 8 overleaf) and the moulded coal matrix.

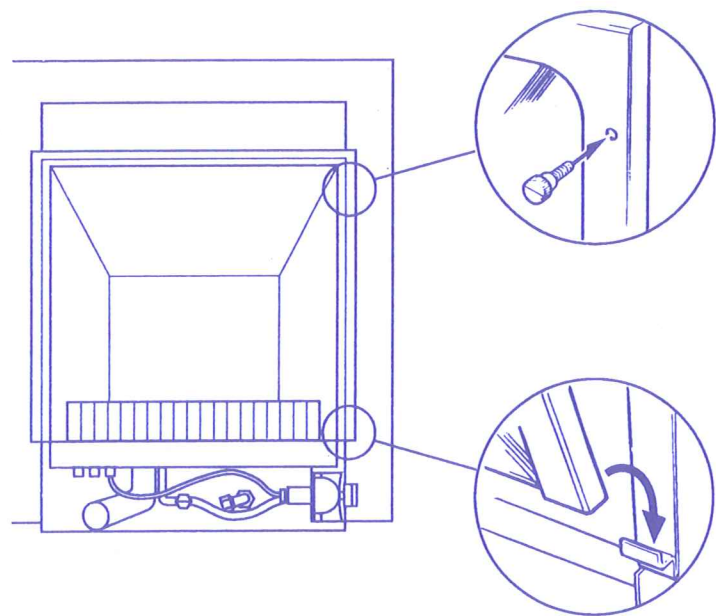


Figure 5 - The glass retaining clips

Place the glass upright in a safe position. The glass is a special high temperature neo-ceramic material and should only be cleaned using the following method, and only when the appliance is completely cool.

- 1 Wipe the glass using warm water and a soft paper towel.
- 2 Rinse, and dry thoroughly with a soft cloth.
- 3 For stubborn deposits use only a proprietary *non-abrasive* ceramic cooking hob cleaner such as Hob Brite.

Note: In the event of breakage, only neo-ceramic glass supplied by the manufacturer may be fitted as a replacement.

The use of conventional window-glass, or any other form of transparent material MAY BE DANGEROUS.

Cleaning the fuel-bed

PLEASE HANDLE ALL CERAMIC FUEL-BED PARTS TENDERLY

Senator uses a fuel-bed assembly which has been proven in more than 100,000 applications throughout the world. All the ceramic parts are safe to handle, and are designed to be easily replaced by the consumer.

The 14 individual dress coals (Figure 6 below) should be removed, noting their positions to facilitate replacement, and then placed on a piece of newspaper. Any deposits can be carefully removed from the surface of the coals using a soft dry brush, such as a paint brush. **DO NOT WASH THE COALS.**

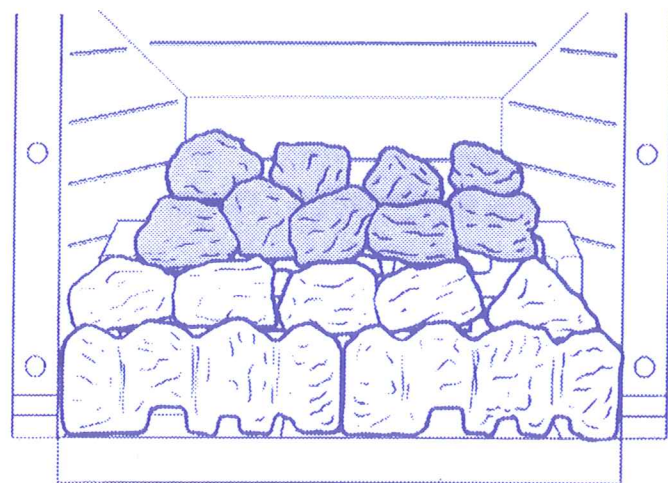


Figure 6 - Remove the 14 dress coals



Figure 2 - Viewing the pilot light

Controlling the heat setting

In order to change between one setting and another, depress the control knob and turn the knob anticlockwise to the required position. Alternatively, if a setting between MAXIMUM and MINIMUM is required, the control may be set in this position.

To turn the fire back to PILOT position

Depress the control knob and turn clockwise until the PILOT position has been reached. In this position, the fire can be relit without undertaking the initial piezo ignition sequence and the burner will always light from this setting. It may be found that this setting is the most convenient for regular use.

To turn the fire OFF

Depress the control knob and turn clockwise until the OFF position has been reached. Observe that the pilot is now extinguished.

PLEASE NOTE

IF THE FIRE HAS BEEN EXTINGUISHED FROM HOT, PLEASE WAIT AT LEAST THREE MINUTES BEFORE RELIGHTING.

Lighting the fire with a taper

In the event of failure of the piezo spark generator, the pilot flame can be lit by a taper or long spill, inserted through the fretwork above the fender to reach the pilot light assembly (Figure 3). Follow the lighting instructions above until the pilot flame can be established.

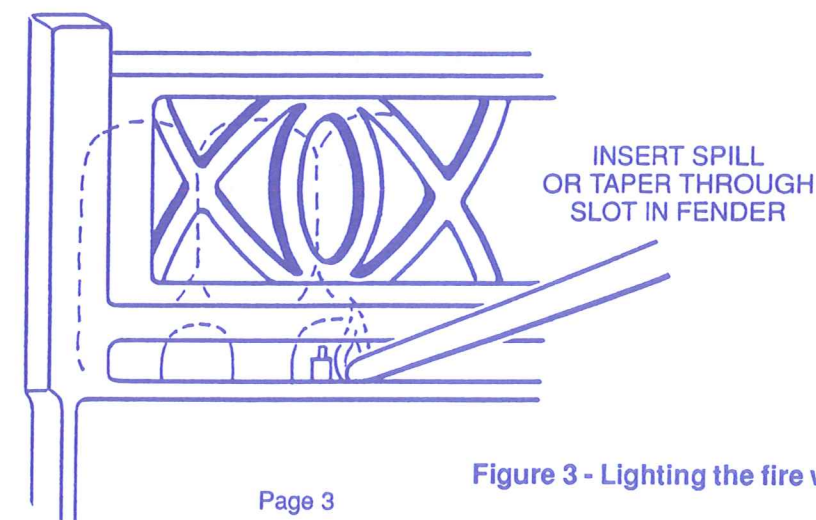


Figure 3 - Lighting the fire with a taper

Please note that the fuel-bed may take up to 15 minutes to provide a realistic glow, and that the flames will be predominately of a blue non-luminous nature until the fire has completely heated up to its usual operating temperature. This is normal.

CLEANING

ENSURE THAT THE FIRE HAS BEEN ALLOWED TO COOL COMPLETELY BEFORE ATTEMPTING TO CLEAN ANY SURFACE.

Painted cast iron surfaces (Classic Black models)

These should be dusted regularly with a feather duster, or a soft brush attachment on a vacuum cleaner. *do not use linted cloth such as dusters.*

Porcelain Enameled surfaces

The high quality porcelain enamel finish is designed to be convenient and easy to maintain as well as beautiful to look at.

Use only a soft dry cloth or soft brush as necessary. Do not use water or other liquid on these surfaces.

Stubborn marks may be removed by the use of a soft cloth and a non-abrasive window cleaning liquid or kitchen appliance cream specially formulated for enameled surfaces (NOT oven cleaner) such as Hob Brite.

Apply this cleaner sparingly, dry, and buff away all traces with a new duster before relighting the fire.

On no account should any abrasive or harsh chemical cleaner be used on these surfaces as this could result in damage to the finish.

Glass

In normal use, only the outside of the glass should require regular cleaning. The glass is a high-temperature ceramic material and should only be cleaned using the following method.

Ensure the appliance is completely cool.

Wipe the glass using a clean damp cloth and polish with a lint-free cloth.

Rinse and dry thoroughly with a soft paper towel, and then polish using only a new duster.

Any stubborn deposits can be removed using a soft dry cloth and a proprietary non-abrasive ceramic hob cleaner.

Brass

The brass embellishments are solid brass and the polished finish may be affected by heat from the fire, and the atmosphere within the home, especially in smokers' homes.

The brass should be only be cleaned using a suitable quality metal polish (such as *Brasso*) and a dry soft cloth, following the manufacturer's instructions. Take care not to let the polish dry on any other surface. Polish the brass to the original high finish with a new duster

This appliance may only require occasional attention between annual service intervals. However, in certain conditions the glass, firebox, or fuel-bed may require cleaning from time to time. This is normal. Note that discolouration of the firebox and ceramic fuel caused by the effects of heat and flame, is also perfectly normal.

NOTE

Before undertaking the following procedures, ensure that the fire has been turned off, and has been allowed to cool completely.

**REMOVING THE FIREFRONT
THE CAST IRON FIRE FRONT IS HEAVY**

The high quality cast-iron firefront (or fascia) supplied weighs 28kgs (60lbs). If you are elderly, infirm, or have any doubt of your ability to easily remove this component, you should ask someone to assist with lifting off and on.

This will help avoid damage to the fascia component itself, the painted or enameled finish, the fireplace surround and fireplace components, and will avoid possible injury to yourself.

Like the Senator the Liberty weighs around 28 kgs (60lbs). If you have any doubt of your ability to easily lift or remove this component, you should ask someone to assist. Due to the curved nature of the case design Liberty requires careful lifting onto the heat engine, if you utilise the convection air or fender apertures for lifting be careful not to pass your fingers through the apertures due the possibility of pinching when offering up to the engine.

Please read these instructions carefully before attempting to remove the fascia for the first time.

CAREFULLY remove the cast-iron fascia by holding at the sides of the mantle and lifting it upwards about 1" and then outwards - off the locating lugs provided in the chassis frame (Figure 4) and pulling it away from the chassis frame. Remove it to a safe place. Should the enamel become chipped during the lifetime of the appliance, a touch-up kit is supplied. Please follow the instructions on the label.

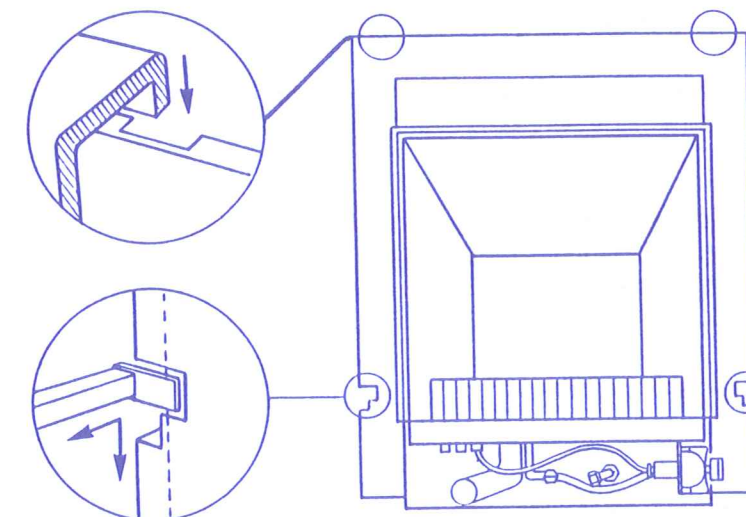


Figure 4 - Removing the fascia from the slots provided in the chassis frame

Cleaning the glass panel

Having removed the fascia, access is now available to the fire-viewing area of the chassis assembly. It is now possible to remove the ceramic glass panel from the chassis to gain access for cleaning.

Rotate the top glass-retaining screws (Figure 5 overleaf) so that the glass will slip away from the firebox at the top, and may then be lifted up and out of the lower retaining lugs. Note that a framing channel is fitted to the glass panel and will protect the glass edge whilst removed from the chassis.