

Wonderfire

Standard Convector Large Convector Fireplace Insert

GB

IE

Installation Instructions

(to be left at the Gas Meter)

To be read in conjunction
with the relevant installation
instructions for the Wonderfire
Burner being installed.

Must be installed in
accordance with the
rules in force.

INTRODUCTION

The Standard Wonderfire Convector is designed to fit into 16" and 18" fireplace openings constructed in accordance with the requirements of BS1251.

The Large Wonderfire Convector is designed to fit into 20" and 22" fireplace openings constructed in accordance with the requirements of BS1251.

To obtain the optimum performance from this insert Wonderfire offer a number of fires especially designed to fit the box.

The installation of any fire other than the listed Wonderfire products will invalidate the approval status and guarantee

This fireplace insert is unsuitable for use with solid fuel.

Always use a slotted fire front with a minimum 2 sq inches of open area

RELATED DOCUMENTS

Relevant Building Regulations

Gas Safety (Installation and Use) Regulations 1990.

BS 5440 Part 1 1990

Republic of Ireland. I.C.P. 3

BS 5440 Part 2 1989

Fireplace components conforming to BS1251 assembled in accordance with BS8303 1986

BS 5871 Part 2 1990

BS 6461 Part 1 1984

BS 6461 Part 2 1984

VENTILATION

Additional ventilation is normally only required on fires with a rated input of over 7 kW when installed in a Wonderfire Convector insert (see table below for details).

WONDERFIRE MODEL NO	HEAT INPUT	PURPOSE MADE VENTILATION SIZE	CONVECTOR MODEL
AF16 NV	6.9kW	NONE	Standard
AF16XL	9.2kW	9.90 cm ²	Standard
AF16XLP	6.35kW	NONE	Standard
AF18XL	10.55kW	16.0 cm ²	Large
AF18XLP	8.16kW	5.22 cm ²	Large

INSTALLATION DETAILS

The minimum flue diameter required is 7". Broken hearth components must be replaced or repaired.

Any flue restrictor/damper should be removed and discarded.

The chimney must be thoroughly swept to remove soot and other debris. Examine the general condition of the chimney and repair if necessary. Do not proceed with installation if the chimney is in poor condition.

If there is a possibility of birds nesting in the area an approved cowl suitable for solid fuel should be fitted.

FIREPLACE OPENING

Remove any firebrick back and existing heating appliance. Examine the general condition of the builders opening and repair if necessary. Check dimensions of builders opening and if necessary modify to those shown in Fig 1.

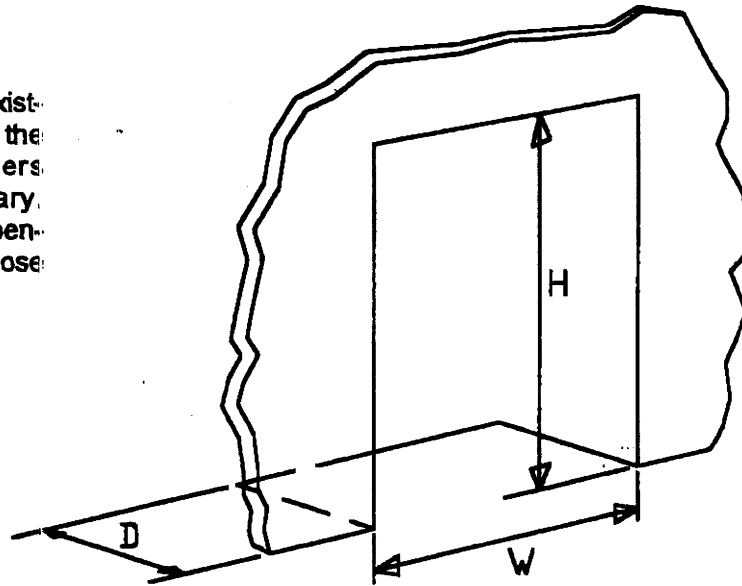


FIG 1

415

Standard Box	Min opening sizes:	W = 407mm (16")	H = 555mm (21 ⁷ / ₈ ")	D = 330mm
	Max opening sizes:	W = 460mm (18 ¹ / ₈ ")	H = 580mm (22 ⁷ / ₈ ")	D = none
Large Box	Min opening sizes:	W = 490mm (19 ¹ / ₄ ")	H = 555mm (21 ⁷ / ₈ ")	D = 330mm
	Max opening sizes:	W = 565mm (22 ¹ / ₄ ")	H = 590mm (23 ¹ / ₄ ")	D = none

HEARTH

The hearth should be a minimum of 19mm (0.75") thick of an incombustible material. It should satisfy the requirements of BS5871 part 3 (see Fig 2).

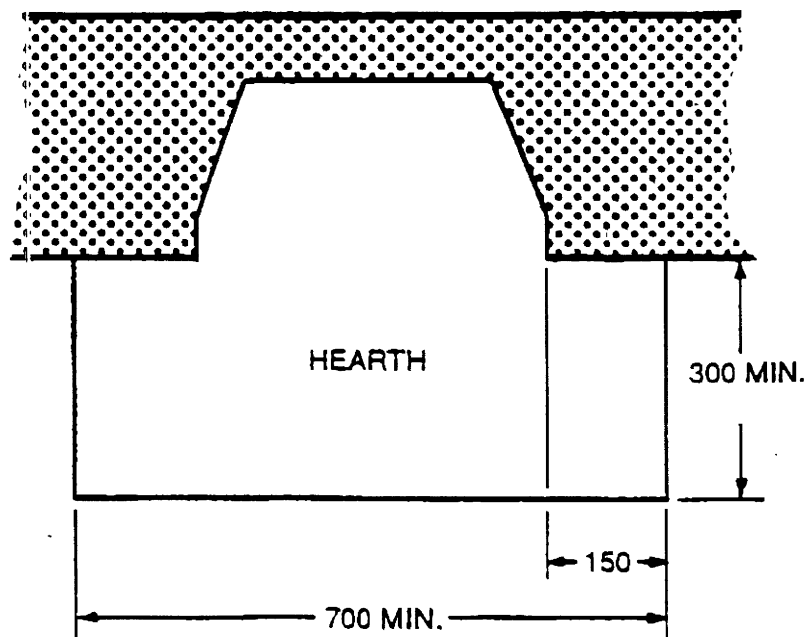


FIG 2

INSTALLATION DETAILS (cont)

FIRE

Remove the fire unit from the fireplace insert if fitted by removing the transit screw in the front leg of the fire and place safely to one side.

GAS SUPPLY

There are three gas inlet points located within the box, the rear access point is sized to accept a restrictor elbow.

FITTING INSERT

Place the foam seal to the rear of the appliance frame ensuring full contact with the fireplace opening. Protecting the hearth from damage (the appliance packaging is ideal) gently slide the appliance into the fireplace opening. Make an airtight seal between the fireplace and appliance frame using the cables and tensioners supplied. See fig: 3.

FIRE OPERATION.

Refer to the relevant installation manual for instructions on fitting the fire and its correct operation.

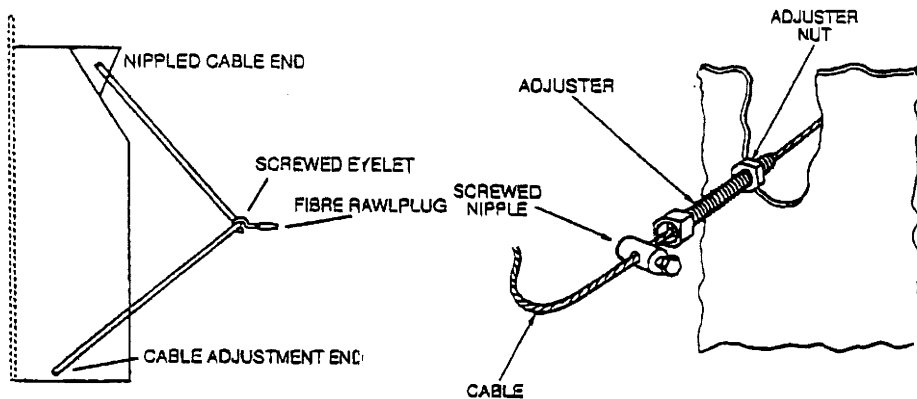
SPILLAGE TEST

A spillage test must be conducted to confirm the safe clearance of combustion products, light the fire and allow to warm up for five minutes at the maximum rate. Place a smoke match inside the canopy see (fig:4) and observe the smoke is drawn into the appliance if not repeat the spillage test after a further ten minutes if the appliance continues to spill, turn the appliance off and allow to cool, remove the restrictor plate and repeat the spillage test. If the appliance continues to spill isolate the appliance and seek expert advice.

DECORATIVE FIRE FRONT

Place the fire front, a gap of 5mm ($\frac{1}{4}$ ") is recommended between the front edge of the tray and rear of the firefront

FIG 3



RESTRICTOR PLATE

FIG 4

