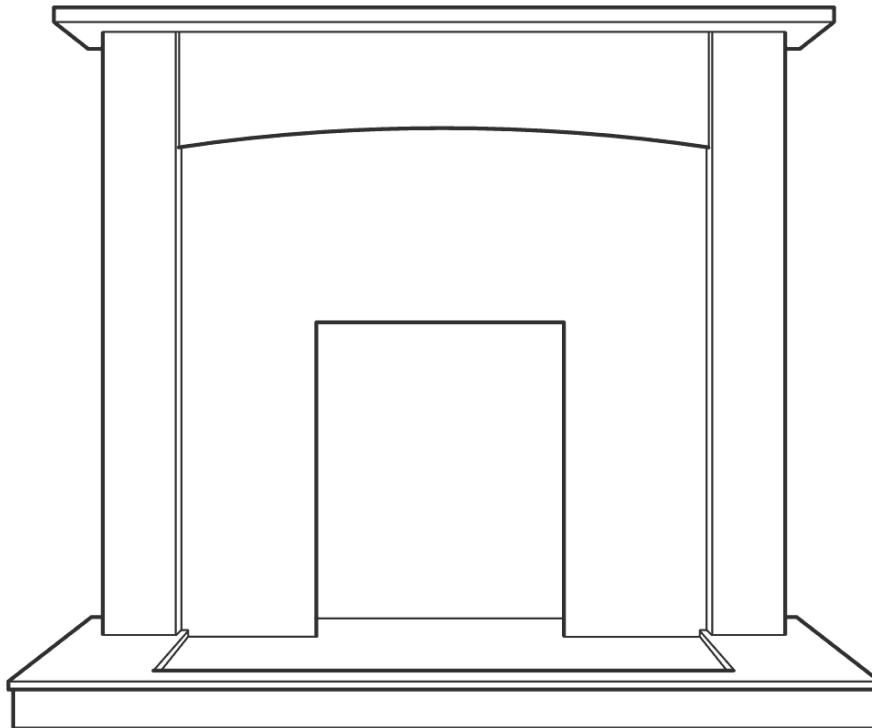


INSTALLATION GUIDE

Miami

Surround and Hearth Set



This guide should be read in conjunction with the installer and owner guides supplied with the heater / fire.

This guide is intended to help you install your Miami Surround and Hearth set. Please read carefully before installing. However, if further information is required, our **Valor Fires Technical Helpline** will be pleased to help.

Telephone **0844 8711 565** (National call rates apply in the United Kingdom)
In the Republic of Ireland call **0044 0844 8711 565**.

Important: Please keep your guide in a safe place for future reference

INSTALLATION GUIDE

© Baxi Heating U.K. Limited 2008.

All rights reserved. No part of this publication may be reproduced in any material form (including photocopying), stored in any medium by electronic means (including in any retrieval system or database) or transmitted, in any form or by any means, whether electronic, mechanical, recording or otherwise, without the prior written permission of the copyright owner.

Applications for the copyright owner's permission to reproduce any part of this publication should be made, giving details of the proposed use, to the following address: The Company Secretary, Baxi Heating UK Limited, The Wyvern Business Park, Stanier Way, Derby, DE21 6BF.

Warning: Any person who does any unauthorised act in relation to a copyright work may be liable to criminal prosecution and civil claims for damages.

VALOR FIRES

Valor Fires, Erdington, Birmingham B24 9QP
www.firesandstoves.co.uk

Because our policy is one of constant development and improvement, details may vary slightly from those given in this publication.

INSTALLATION GUIDE

SAFETY

- Always wear gloves when handling the laminate.
- When cutting MDF, Plywood or drilling into brick work always wear safety goggles, a dust mask, and always work in a well ventilated area.
- Keep children clear of work area especially when assembling the surround / mantle.
- Always read this guide in conjunction with the guides supplied with the heater / fire.
- Always tidy loose electrical leads in the work area.
- Always switch off electric power when not needed.
- The surround must always be fixed into position.

HANDLING AND UNPACKING

Before continuing any further with the installation of this surround and hearth please read the following:

Important instructions.

- The approximate lifting weights of the surround, rear panel and hearth are as below:

Surround	14.5 kg.
Hearth	10.0 kg.
Rear panel	2.5 kg.
Hearth laminate	2.5 kg.

- One person should be sufficient to lift the surround or hearth. If for any reason this weight is considered too heavy then obtain assistance.
- When lifting always keep your back straight. Bend your legs and not your back.
- Avoid twisting at the waist. It is better to reposition your feet.
- Avoid upper body / top heavy bending. Always bend from the knees rather than the waist. Do not lean forward or sideways whilst handling.
- Always grip with the palm of the hand. Do not use the tips of fingers for support.
- Always keep the surround or hearth as close to the body as possible. This will minimise the cantilever action.
- Use gloves to provide additional grip.
- Always use assistance if required.

INSTALLATION GUIDE

CONTENTS

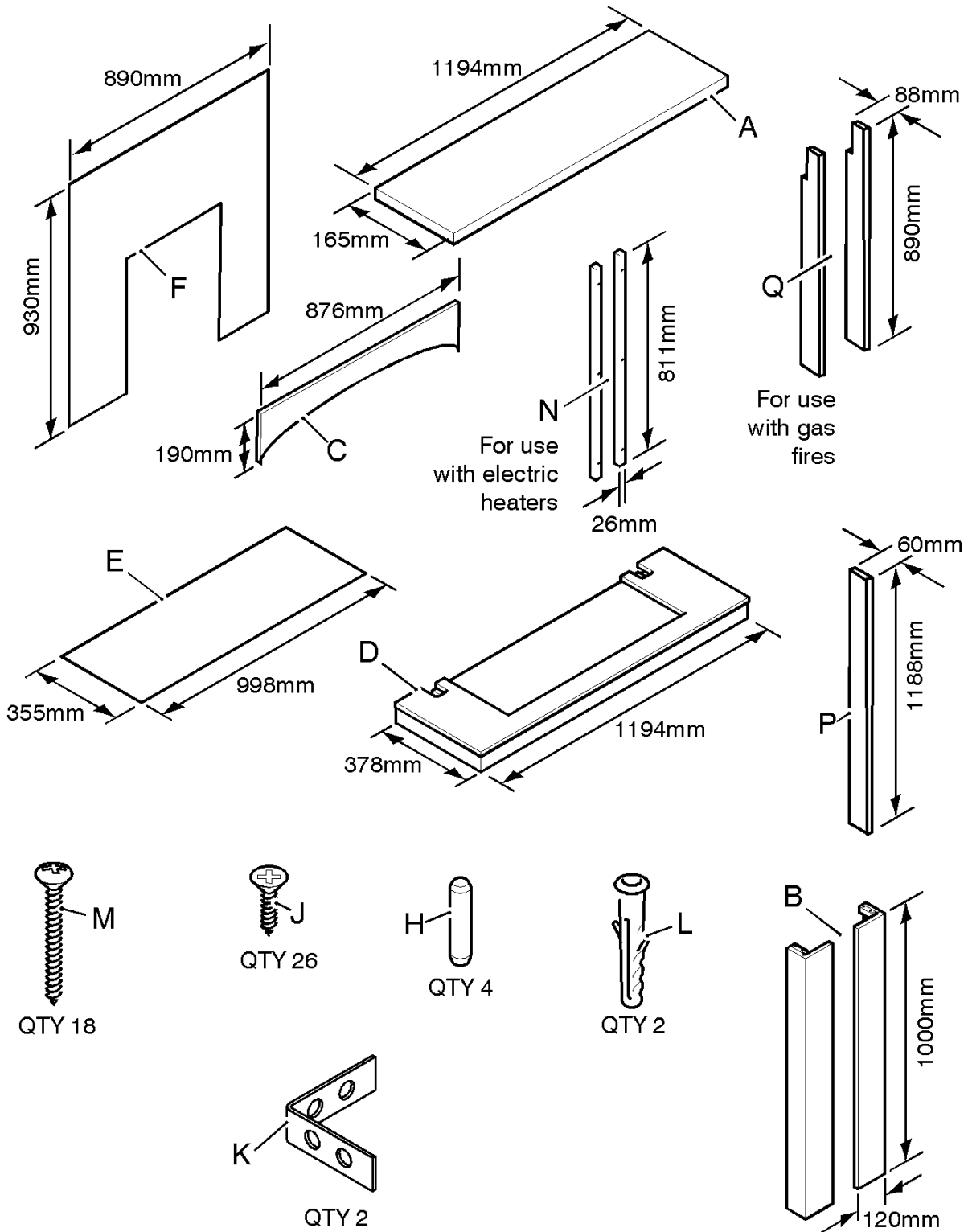


Figure 1. Contents (Items are not to scale. Any components extra to those above can be discarded).

INSTALLATION GUIDE

FITTING THE SURROUND / MANTLE AND HEARTH

The installation of this surround and hearth requires a reasonable level of DIY skills. Please read this guide thoroughly before commencing installation and if in doubt, seek help from a competent person.

Do I need any tools?

You will need the following tools :

- A Pozidrive / Phillips / cross head screwdriver. This should have a number 2 size tip.
- If drilling into brick work you will need a power drill (preferably with hammer action) and appropriate size masonry drill bit for the wall plugs supplied.
- A wood saw.
- A 4mm drill bit.

How to assemble the Surround.

Step 1 (For gas fire installations only).

- Take the Gas fire Leg Rails (Q) and locate them to the Surround Legs (B) as in figure 2. Secure in place using screws (M).

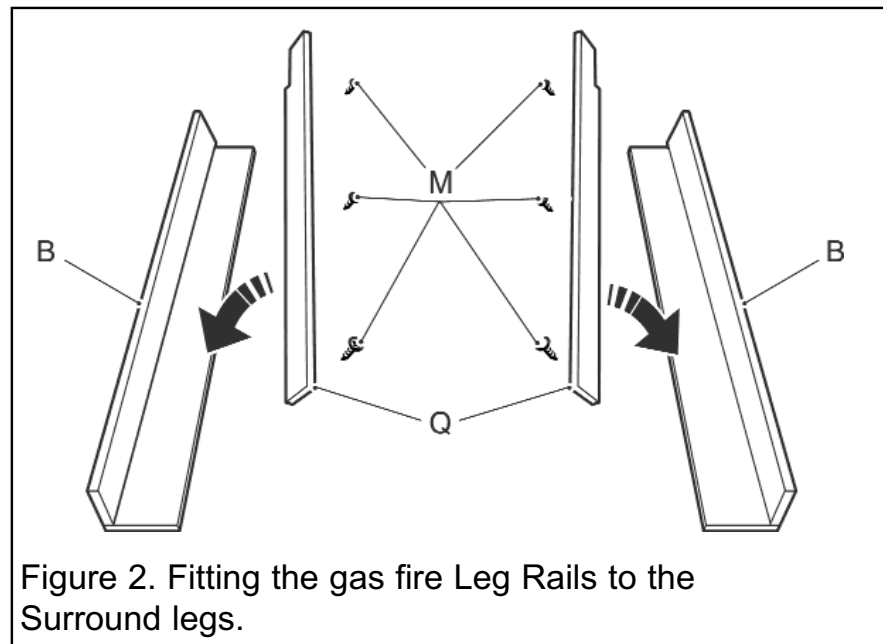


Figure 2. Fitting the gas fire Leg Rails to the Surround legs.

INSTALLATION GUIDE

Step 2 (For gas fire installations only).

- Take the Fascia (C) and locate it to Legs (B) using screws (J) (See figure 3).
- Locate the Top Rail (P) to the top of the side rails. Screw to fascia board (C) using the screws (M) (See figure 4).

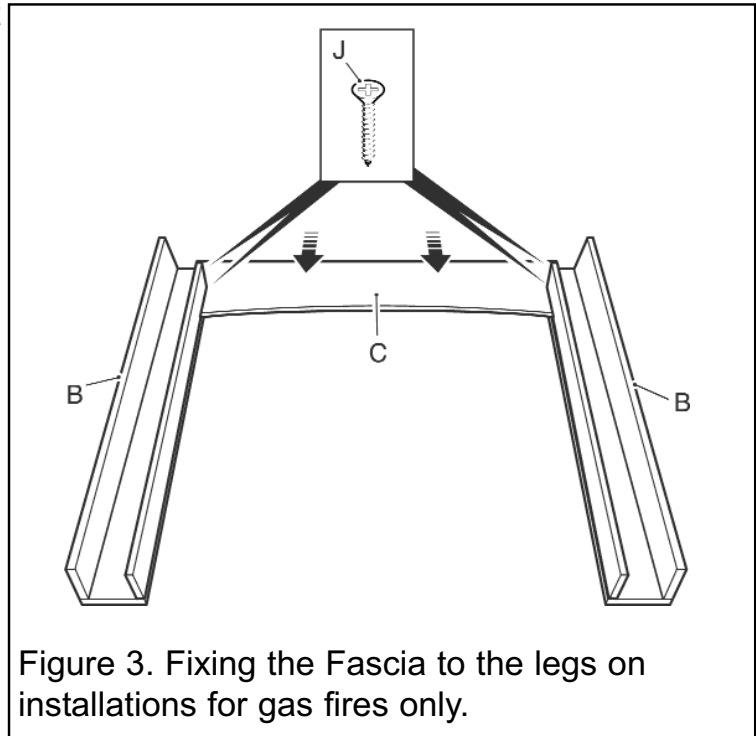


Figure 3. Fixing the Fascia to the legs on installations for gas fires only.

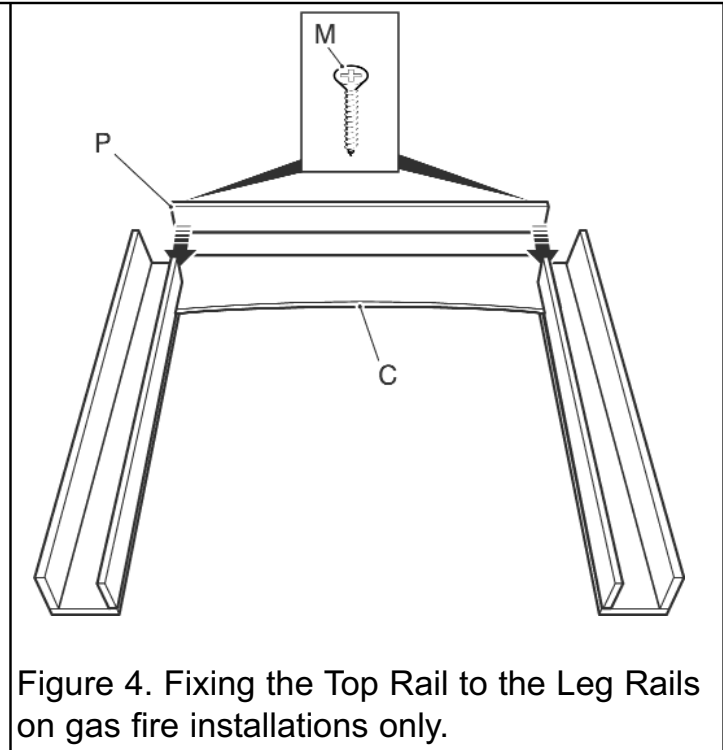


Figure 4. Fixing the Top Rail to the Leg Rails on gas fire installations only.

INSTALLATION GUIDE

Step 1 (For electric heater installations only)

- Take the electric fire Leg Rails (N) and locate them to the Surround Legs (B) as in figure 5. Secure in place using screws (J).
- Take the Fascia (C) and locate it to Legs (B) using screws (J) (See figure 6).

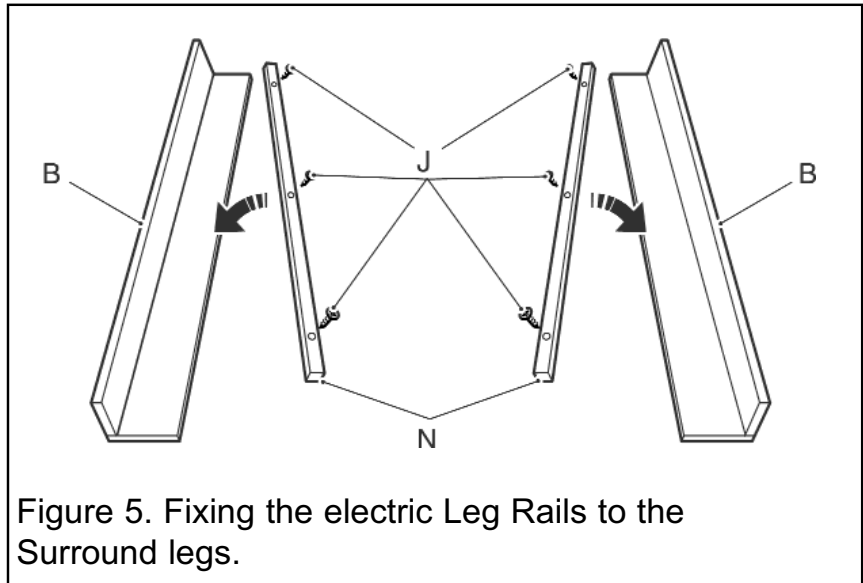


Figure 5. Fixing the electric Leg Rails to the Surround legs.

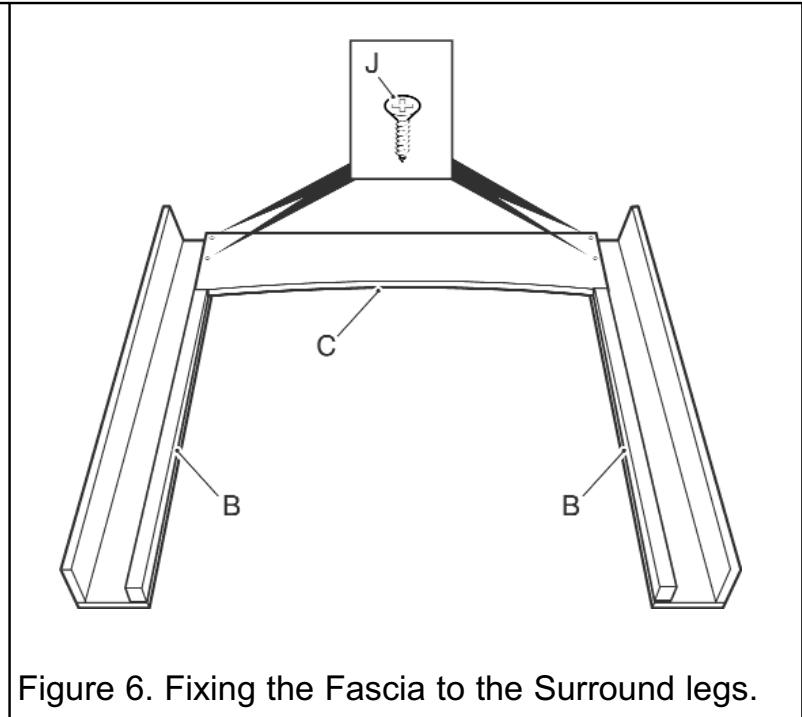
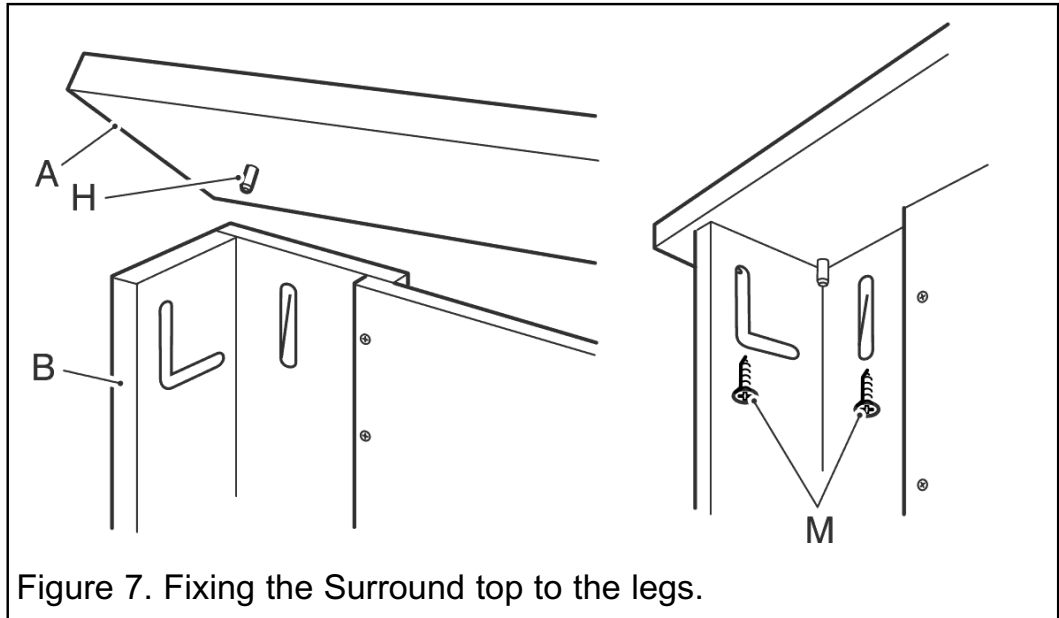


Figure 6. Fixing the Fascia to the Surround legs.

INSTALLATION GUIDE

The Surround top (All installations)

- Take the Surround top (A) and insert 2 wooden dowels (H) into the pre-drilled holes on the underside. Place the Surround top (A) on top of the Surround (See figure 7). Ensure that the dowels are located in the internal corners of legs (B) and that the **veneered edge is facing forward**. Screw into place using 4 screws (M) into the pre-drilled holes.

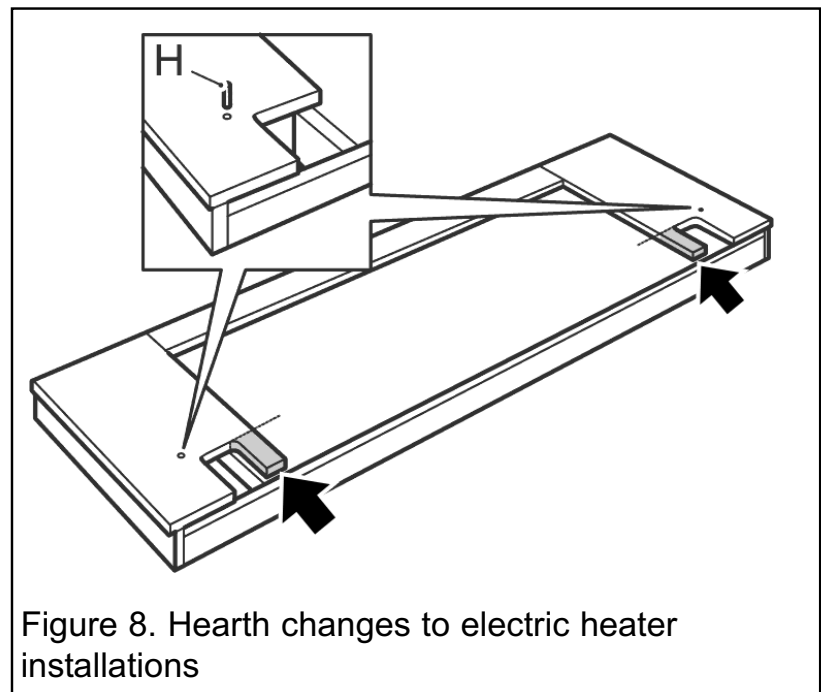


The Hearth (Electric heater installations only).

- Your Hearth has two pieces of wood that need to be removed. These are shown in figure 8. Ensure that the fireproof board is not damaged during cutting and that the cuts are straight.

The Hearth (All installations).

- Insert 2 wooden dowels (H) into the pre-drilled holes in the hearth (See figure 8).
- Decide which side of the Hearth Laminate (E) will be used. Slide the laminate, with the chosen side on top, into the slot at the rear of the hearth. Push it in so that the laminate goes into the slot at the front of the Hearth (See figure 9).



INSTALLATION GUIDE

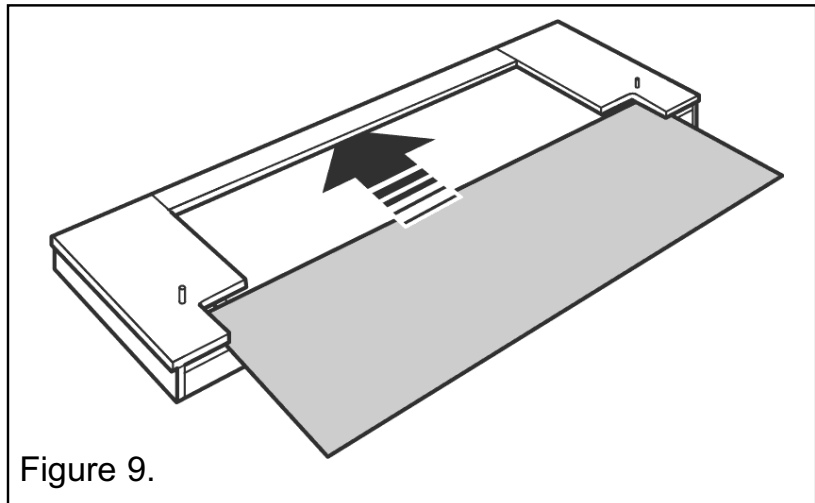


Figure 9.

Fixing the Rear Laminate.

- Offer the back panel to the rear of the Surround assembly and position centrally. Drill Laminate using a 4mm drill bit ensuring that holes are located into the centre of the frame. Do NOT drill into the frame.
- Screw the Laminate to the Surround using screws (J).

Securing the Surround assembly.

- Place the wall fixing brackets 50mm from the top outside edge of the legs as shown in figure 10. Secure in place using a screw (J).

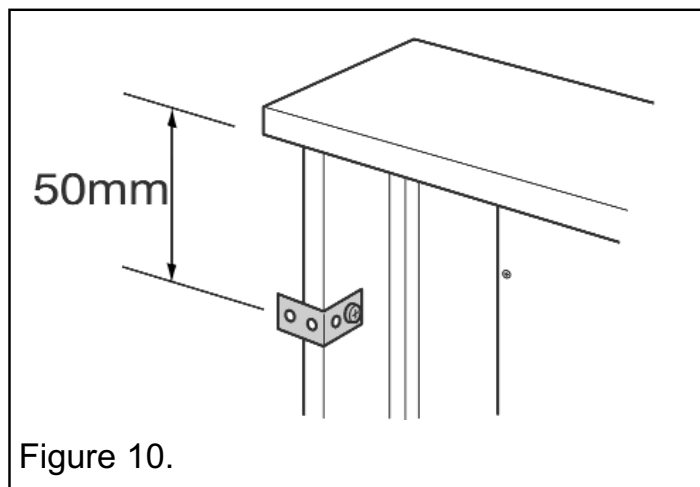


Figure 10.

- Position the Hearth in place. Carefully move the Surround assembly into place. Ensure that the Surround is central to the Hearth. Mark the positions of the bracket holes on the wall. Move the assembly aside and drill suitable sized holes. Insert the wall plugs (L). Position the whole assembly into position and secure using two screws (M).

Note: The wall plugs are only suitable for brick or block walls. For timber framed walls covered in plaster board we recommend the use of heavy duty cavity fixings.

VALOR FIRES