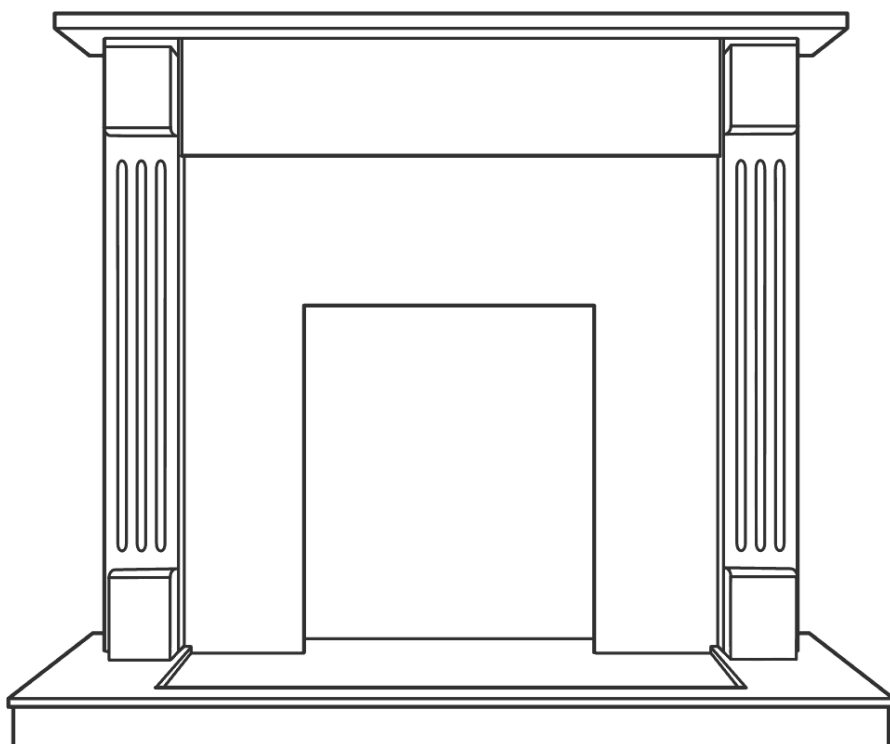


**INSTALLATION GUIDE**

# Durham

Surround and Hearth Set  
for Electric Heaters.



This surround and hearth set is intended for use with electric heaters only. It must never be used with a gas fire.

**This guide should be read in conjunction with the installer and owner guides supplied with the heater.**

This guide is intended to help you install your Surround and Hearth set. Please read carefully before installing. However, if further information is required, our **Valor Fires Technical Helpline** will be pleased to help.

Telephone **0844 8711 565** (National call rates apply in the United Kingdom)  
In the Republic of Ireland call **0044 844 8711 565**.

**Important: Please keep your guide in a safe place for future reference.**

# INSTALLATION GUIDE

© Baxi Heating U.K. Limited 2008.

All rights reserved. No part of this publication may be reproduced in any material form (including photocopying), stored in any medium by electronic means (including in any retrieval system or database) or transmitted, in any form or by any means, whether electronic, mechanical, recording or otherwise, without the prior written permission of the copyright owner.

Applications for the copyright owner's permission to reproduce any part of this publication should be made, giving details of the proposed use, to the following address: The Company Secretary, Baxi Heating UK Limited, The Wyvern Business Park, Stanier Way, Derby, DE21 6BF.

Warning: Any person who does any unauthorised act in relation to a copyright work may be liable to criminal prosecution and civil claims for damages.

If you require further assistance, the **Valor Fires Technical Helpline** will be pleased to help.

Please telephone **0844 8711 565** (local rates apply in the United Kingdom). In the Republic of Ireland please telephone **0044 844 8711 565**.

## VALOR FIRES

Valor Fires, Erdington, Birmingham B24 9QP.  
[www.firesandstoves.co.uk](http://www.firesandstoves.co.uk)

Because our policy is one of constant development and improvement, details may vary slightly from those given in this publication

# INSTALLATION GUIDE

## SAFETY

- When drilling into brick work always wear safety goggles, a dust mask, and always work in a well ventilated area.
- Keep children clear of work area.
- Always read this guide in conjunction with the guides supplied with the heater.
- Always tidy loose electrical leads in the work area.
- Always switch off electric power when not needed.
- The surround must always be fixed into position.

## HANDLING AND UNPACKING

Before continuing any further with the installation of this surround and hearth please read the following:

### **Important instructions.**

- The approximate lifting weight of the surround and hearth assembly is 24.5 kg.
- This surround and hearth assembly is heavy. We therefore recommend that two people should be sufficient to lift it. If fitting or moving the surround and hearth assembly alone we recommend the use of suitable lifting apparatus.
- When lifting always keep your back straight. Bend your legs and not your back.
- Avoid twisting at the waist. It is better to reposition your feet.
- Avoid upper body / top heavy bending. Always bend from the knees rather than the waist. Do not lean forward or sideways whilst handling.
- Always grip with the palm of the hand. Do not use the tips of fingers for support.
- Always keep the Surround or Hearth as close to the body as possible. This will minimise the cantilever action.
- Use gloves to provide additional grip.
- Always use assistance if required.

# INSTALLATION GUIDE

## DIMENSIONS

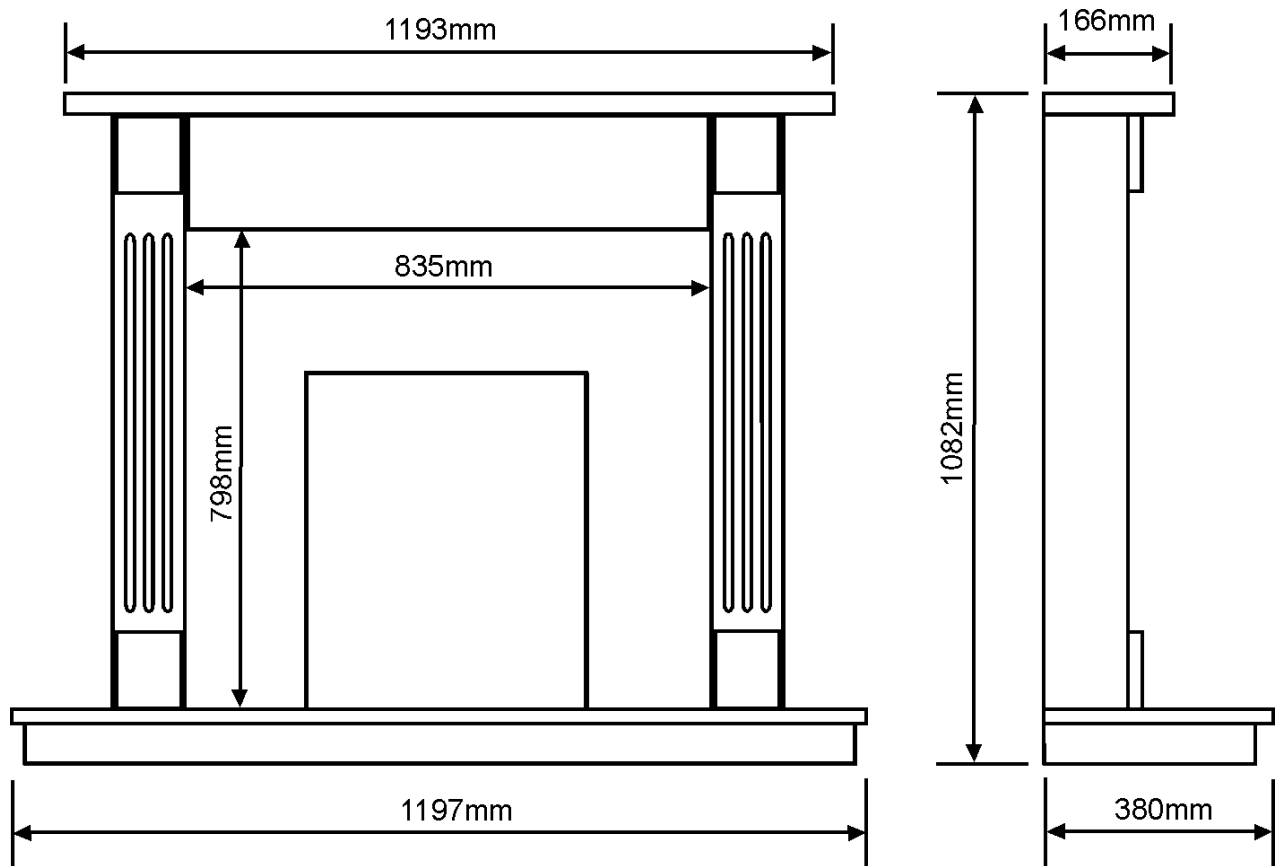


Figure 1. Dimensions

## FITTING THE SURROUND / MANTLE AND HEARTH

The installation of this Surround and Hearth requires a reasonable level of DIY skills. Please read this guide thoroughly before commencing installation and if in doubt, seek help from a competent person

### Do I need any tools?

You will need the following tools :

- A Pozidrive / Phillips / cross head screwdriver. This should have a number 2 size tip.
- If drilling into brick work you will need a power drill (preferably with hammer action) and suitably sized drill bit for the wall plugs supplied.

# INSTALLATION GUIDE

## Securing the Surround.

The mirror brackets may already be secured to the surround. If not, follow the below:

- Place the wall fixing brackets 50mm from the top and bottom outside edge of the legs as shown in figure 2. Ensure that the two fixing holes in the brackets are positioned in the centre of the outside edge of the leg. The surround may split if the fixing holes are not central. Secure in place using eight screws.
- Position the Hearth and surround assembly in place. Mark the positions of the bracket holes on the wall. Move the assembly aside and drill suitable sized holes. Insert the wall plugs. Position the whole assembly into place and secure using four screws.

*Note: Wall plugs are only suitable for brick or block walls. For timber framed walls covered in plaster board we recommend the use of heavy duty cavity fixings.*

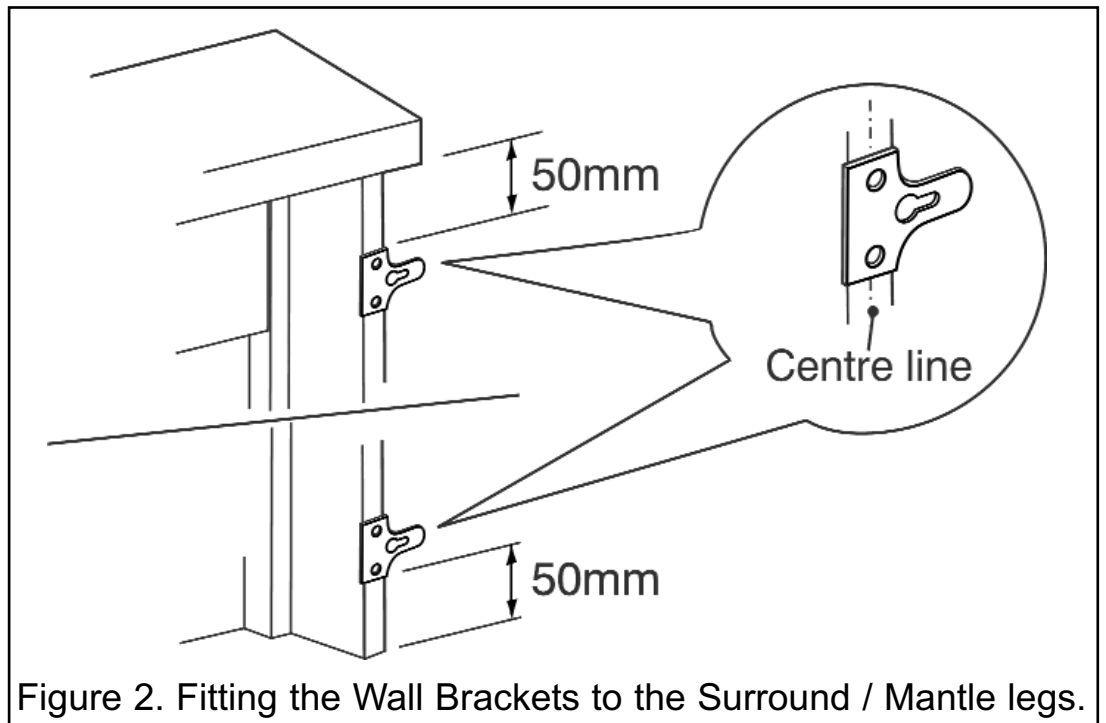


Figure 2. Fitting the Wall Brackets to the Surround / Mantle legs.





VALOR FIRES