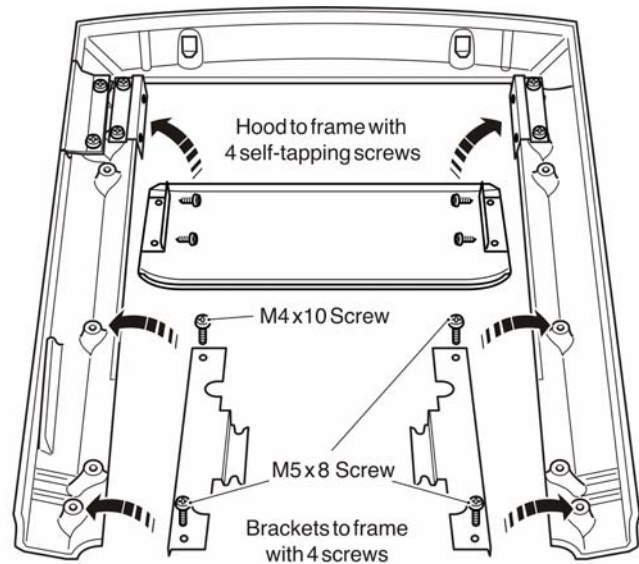


Fascia assembly instructions

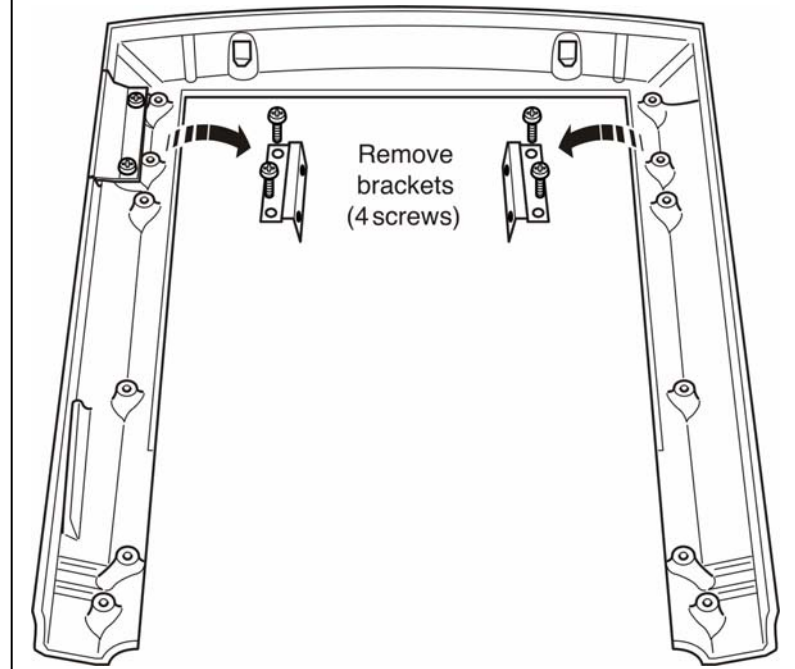
The fascia pack supplied is used on a number of different fires.

It needs to be assembled according to these instructions to suit your model.

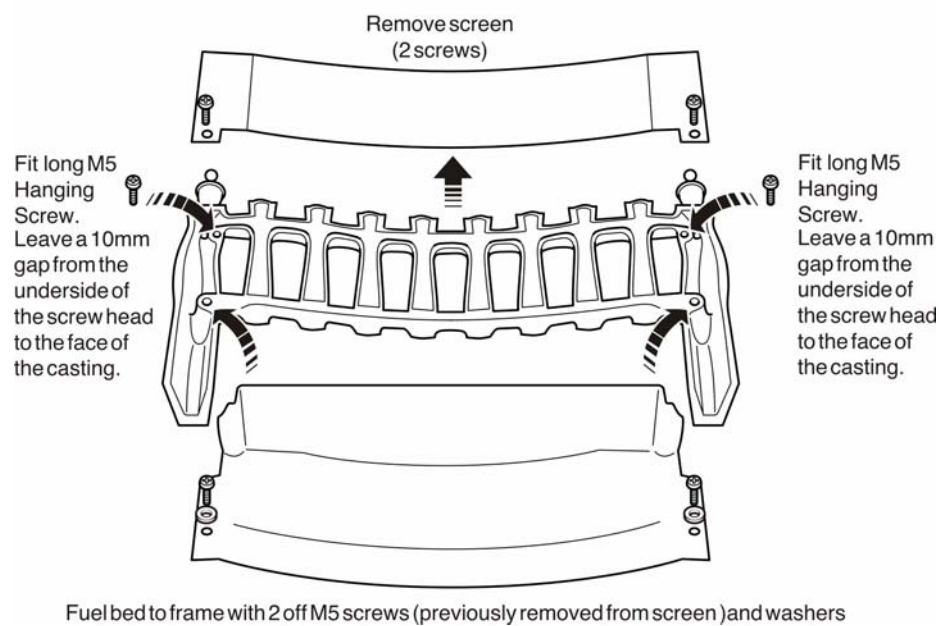
The additional parts required will be found packed with the fire in the main carton.



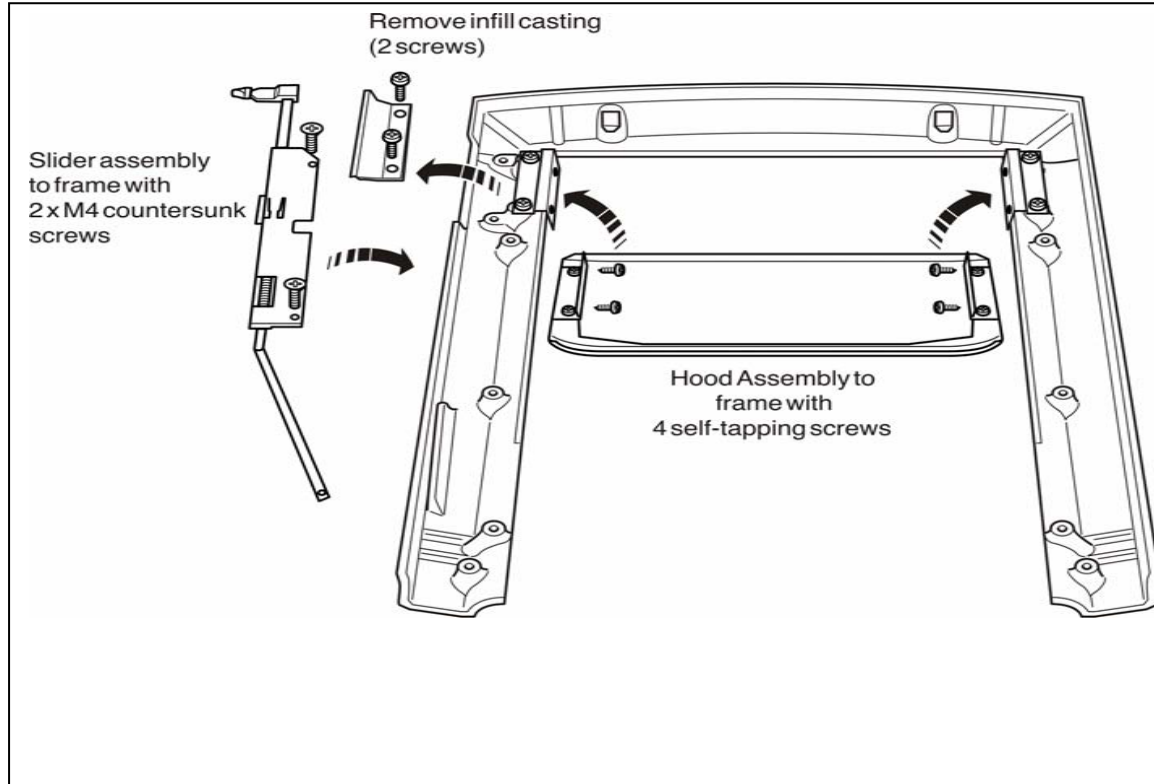
Dream Convector



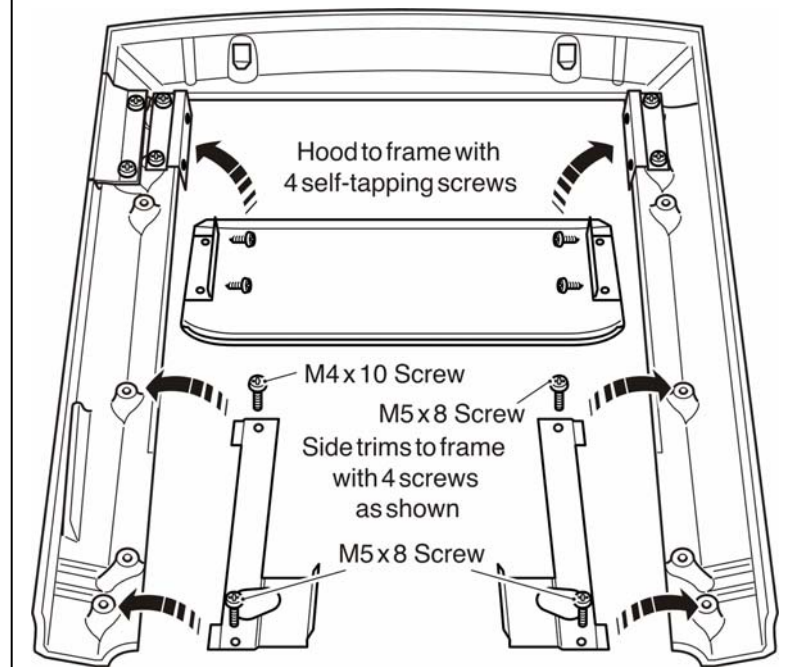
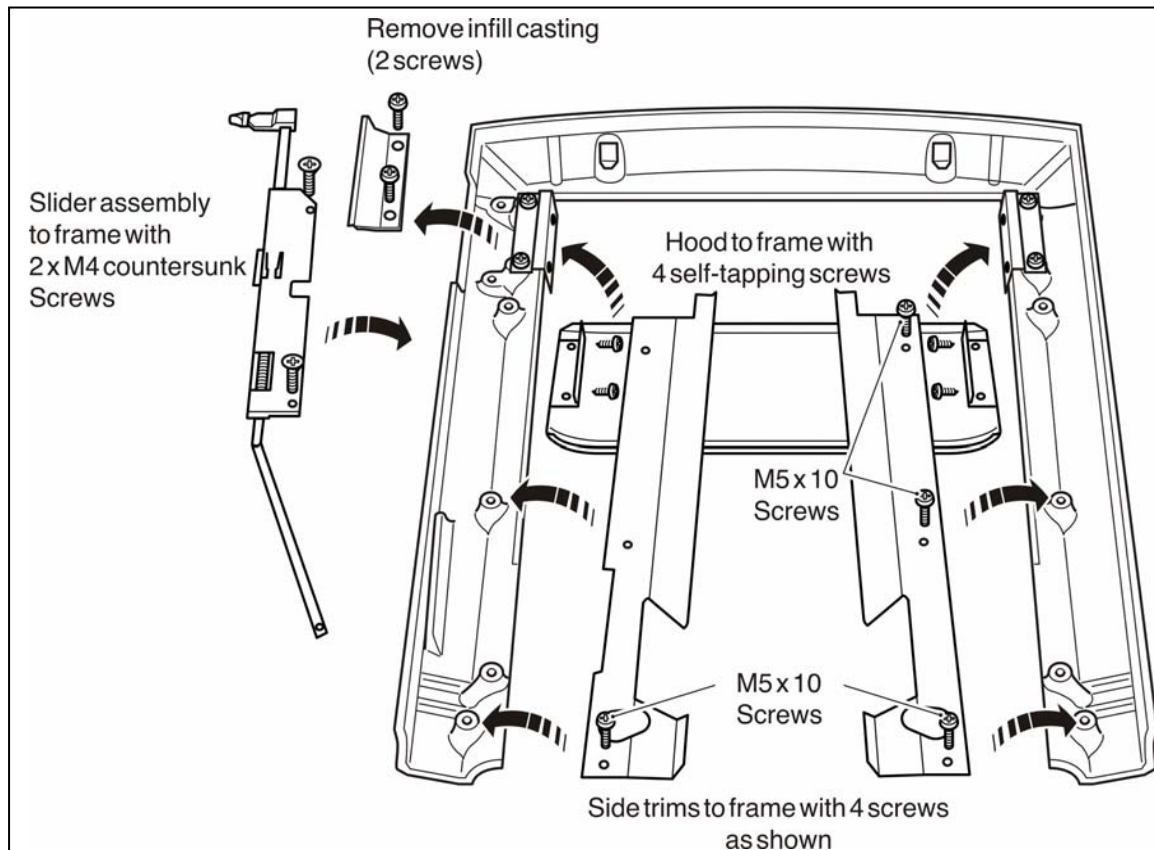
Bolero



Dream / Bolero Electric



Dream Multiflue Convector



Dream Powerflue