

VALOR FIRES

INSTALLER AND OWNER GUIDE

Model 964

Inset live fuel effect gas fire

Fitted with the following fascia:

Homeflame Blenheim.

(GC No. 32-032-93)



We trust that this guide gives sufficient details to enable this appliance to be installed, operated and maintained satisfactorily.

However, if further information is required, our

Valor Fires Technical Helpline will be pleased to help.

Telephone **0844 8711 565** (National call rates apply in the United Kingdom).

In the Republic of Ireland

Telephone **0044 844 8711 565**.



BAXI ● VALOR ● WONDERFIRE

INSTALLER: Please leave this guide with owner

THIS APPLIANCE IS FOR USE WITH NATURAL GAS (G20).

**UNDER NO CIRCUMSTANCES IS THIS FIRE TO BE CONVERTED TO LPG.
AN LPG KIT DOES NOT EXIST FOR THIS GAS FIRE.**

**THIS APPLIANCE IS SUITABLE ONLY FOR INSTALLATION IN THE UNITED
KINGDOM (GB) AND THE REPUBLIC OF IRELAND (IE).**

© Baxi Heating U.K. Limited 2010.

All rights reserved. No part of this publication may be reproduced in any material form (including photocopying), stored in any medium by electronic means (including in any retrieval system or database) or transmitted, in any form or by any means, whether electronic, mechanical, recording or otherwise, without the prior written permission of the copyright owner.

Applications for the copyright owner's permission to reproduce any part of this publication should be made, giving details of the proposed use, to the following address: The Company Secretary, Baxi Heating UK Limited, Brooks House, Coventry Road, Warwick, CV34 4LL

Warning: Any person who does any unauthorised act in relation to a copyright work may be liable to criminal prosecution and civil claims for damages.

VALOR FIRES

Valor Fires, Erdington, Birmingham B24 9QP
www.firesandstoves.co.uk

Because our policy is one of constant development and improvement, details may vary slightly from those given in this publication

Safety First.

Valor Fires fires are CE Approved and designed to meet the appropriate British Standards and Safety Marks.



Quality and Excellence.

All Valor Fires fires are manufactured to the highest standards of quality and excellence and are manufactured under a BS EN ISO 9001 quality system accepted by the British Standards Institute.



The Highest Standards

Valor Fires is a member of SBGI and HHIC (Heating and Hot water Industry Council) that work to ensure high standards of safety, quality and performance.



Careful Installation

This gas fires must be installed by a competent GAS SAFE REGISTER engineer (GAS SAFE REGISTER or CORGI engineer outside of UK) in accordance with our installer guide and should not be fitted directly on to a carpet or floor of combustible material.



INSTALLER GUIDE

FOR OWNER GUIDE SEE PAGES 43 TO 59

INSTALLER GUIDE

CONTENTS

<u>Section</u>	<u>Heading</u>	<u>Page</u>
	INSTALLER GUIDE	4 - 42
	OWNER GUIDE	43 - 59
1.	IMAGE	7
2.	SAFETY AND UNPACKING	8
3.	APPLIANCE DATA, EFFICIENCY AND NO_x	9
	3.1 General information.	9
	3.2 Efficiency.	10
	3.3 NO _x	10
4.	GENERAL INSTALLATION REQUIREMENTS	11
	4.1 Regulations, Standards and Law.	11
	4.2 Ventilation requirements.	12
	4.3 The Atmosphere sensing device (ASD).	12
	4.4 Fireguard requirements.	12
	4.5 Room considerations.	12
	4.6 Chimney preparation.	12
	4.7 Fireplace preparation.	13
	4.8 The hearth and back panel.	13
	4.9 Fireplace clearances.	14
	4.10 Installation options.	16
	4.11 Flues.	19
5.	PACK CONTENTS	20
6.	FIREPLACE CHECK	23
	6.1 Soundness for appliance attachment.	23
	6.2 Fireplace flue pull.	23
7.	IGNITION CHECK	24
8.	GAS SUPPLY CONNECTION	24
9.	PREPARING APPLIANCE FOR INSTALLATION	25
	9.1 Appliance preparation.	25
	9.2 Fitting the foam seal.	26
	9.3 The flue restrictor.	26

Continued on next page

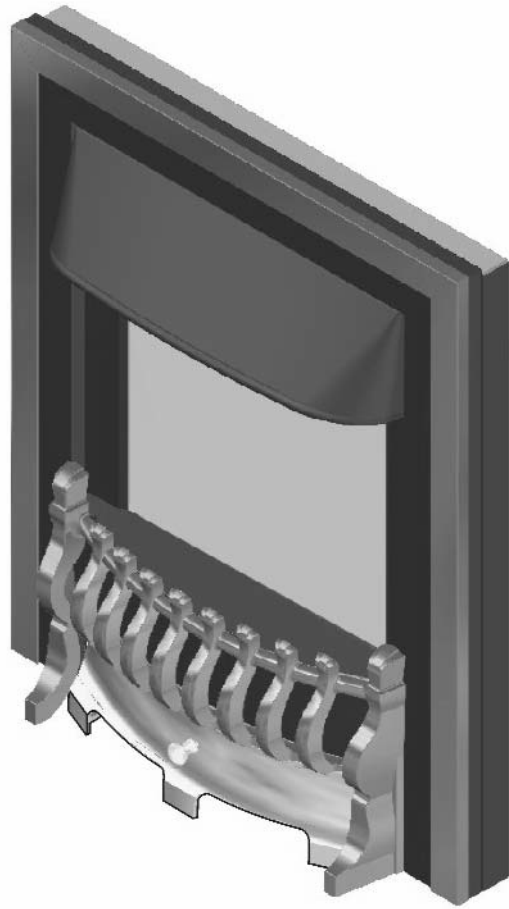
INSTALLER GUIDE

CONTENTS (Continued)

<u>Section</u>	<u>Heading</u>	<u>Page</u>
10.	CONVECTION BOX INSTALLATION	27
10.1	Method 1- Front fixing to fireplace surround.	27
10.2	Method 2 - Cable retention.	28
10.3	Floor sealing.	30
10.4	Sealing convection box holes.	30
11.	BURNER INSTALLATION	31
11.1	Burner and supply pipe installation.	31
11.2	Preliminary burner checks.	31
11.2.1	Lighting the burner.	31
11.2.2	Operating the burner.	31
11.3	Inlet pressure check.	32
12.	FITTING THE CERAMIC FUEL EFFECT	32
13.	FITTING THE WINDOW	32
14.	SPILLAGE AND FLAME SUPERVISION CHECKS	33
14.1	Check for spillage.	33
14.2	Flame supervision and spillage monitoring system.	34
15.	FITTING THE HEAT BAFFLE	34
16.	FITTING THE FASCIA	35
17.	FULL OPERATING CHECKS	36
17.1	Check the control settings.	36
17.2	Lighting the burner.	36
17.3	Operating the burner.	36
18.	FIREFRONT CASTING INSTALLATION	36
19.	FINAL REVIEW	37
20.	SERVICING & PARTS REPLACEMENT	38
20.1	Checking the aeration setting of the burner.	39
20.2	To remove the fascia trims.	39
20.3	To remove the fascia.	39
20.4	To remove the window.	40
20.5	To remove the burner unit.	40
20.6	To remove the pilot unit.	41
20.7	To remove the gas valve.	41
20.8	To remove the burner.	42
20.9	To remove the main burner injector.	42
20.10	To remove the appliance from the fireplace.	42

INSTALLER GUIDE

1. IMAGE



Blenheim fascia

INSTALLER GUIDE

2. SAFETY AND UNPACKING

Installer

Before continuing any further with the installation of this appliance please read the following guide to manual handling.

- The approximate lifting weight (kg) of this appliance is as below:

<u>Model</u>	<u>Heat Engine</u>	<u>Firefront</u>	<u>Fascia and trim</u>	<u>Combined Weight</u>
Blenheim	9.36	3.84	2.32	15.52

- One person should be sufficient to lift the fire. If for any reason this weight is considered too heavy then obtain assistance.
- When lifting always keep your back straight. Bend your legs and not your back.
- Avoid twisting at the waist. It is better to reposition your feet.
- Avoid upper body/top heavy bending. Do not lean forward or sideways whilst handling the fire.
- Always grip with the palm of the hand. Do not use the tips of fingers for support.
- Always keep the fire as close to the body as possible. This will minimise the cantilever action.
- Use gloves to provide additional grip.
- Always use assistance if required.

This product uses fuel effect pieces and a burner compartment wall containing Refractory Ceramic Fibres (RCF), which are man-made vitreous silicate fibres. Excessive exposure to these materials may cause irritation to eyes, skin and respiratory tract. Consequently, it is important to take care when handling these articles to ensure that the release of dust is kept to a minimum. To ensure that the release of fibres from these RCF articles is kept to a minimum, during installation and servicing we recommend that you use a HEPA filtered vacuum to remove any dust and soot accumulated in and around the fire before and after working on the fire. When replacing these articles we recommend that the replaced items are not broken up, but are sealed within a heavy duty polythene bag, clearly labelled as RCF waste. RCF waste is classed as a stable, non-reactive hazardous waste and may be disposed at a landfill licensed to accept such waste. Protective clothing is not required when handling these articles, but we recommend you follow the normal hygiene rules of not smoking, eating or drinking in the work area and always wash your hands before eating or drinking. This appliance does not contain any component manufactured from asbestos or asbestos related products.

INSTALLER GUIDE

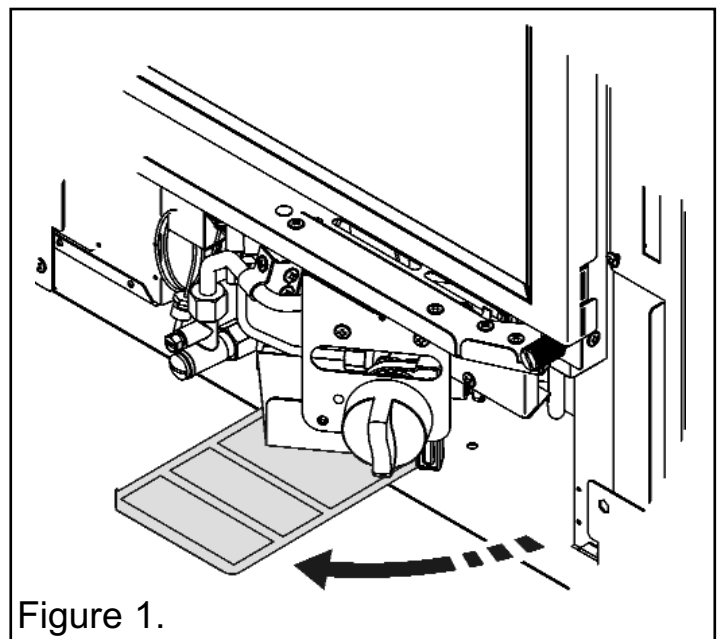
3. APPLIANCE DATA, EFFICIENCY AND NO_x

3.1 General information.

Gas	Natural (G20)
Inlet Pressure	20mbar
Input - Max. (Gross)	3.9kW (13,307 Btu/h)
Input - Min. (Gross)	2.0kW (6,824 Btu/h)
Input - Max. (Net)	3.51kW (11,976 Btu/h)
Input - Min. (Net)	1.80kW (6,142 Btu/h)
Inlet Test Pressure (Cold)	20.0 ± 1.0mbar (8.0 ± 0.4in w.g.)
Gas Connection	8mm pipe
Burner Injector	Cat 82 - 280
Pilot & Atmosphere Sensing Device	Copreci Ref. O.D.S 21100/234
Ignition	Piezo electric, integral to with gas tap
Aeration	See section 20.1

Under no circumstances is this fire to be converted to LPG. An LPG conversion kit does **not** exist for this gas fire.

The appliance information label is located on a 'swing out' plate at the base of the fire. On fires that are already installed this can be seen by removing the bottom front cover of the fascia.



INSTALLER GUIDE

3.2 Efficiency.

The efficiency of this appliance has been measured as specified in BS 7977 - 1 and the result is as below:

<u>Model</u>	<u>Efficiency % (Gross)</u>	<u>Efficiency % (Net)</u>
964	80	89

The gross calorific value of the fuel has been used for this efficiency calculation. The test data from which it has been calculated has been certified by BSI (0086). The efficiency value may be used in the UK Government's Standard Assessment Procedure (SAP) for energy rating of dwellings.

The conversion of **net** efficiency to **gross** was achieved by multiplying the net efficiency by the following conversion factor from Table E3 of SAP 2005, rounding down to the nearest whole number.

Gas	Conversion factor from net to gross efficiency
Natural Gas	0.901

3.3 NO_x

The 'Weighted' result for this appliance equates to NO_x Class II.

4. GENERAL INSTALLATION REQUIREMENTS

4.1 Regulations, Standards and Law.

The installation must be in accordance with these instructions.

For the user's protection, in the United Kingdom it is the law that all gas appliances are installed by competent persons in accordance with the current edition of the Gas Safety (Installation and Use) Regulations. Failure to install the appliance correctly could lead to prosecution. GAS SAFE REGISTER and CORGI require their members to work to recognised standards.

In the United Kingdom the installation must also be in accordance with:

All the relevant parts of local regulations.

All relevant codes of practice.

The relevant parts of the current editions of the following British Standards:-

BS EN 1856 Part 1 - Chimneys - Requirements for metal chimneys.

BS 715 - Specification for metal flue boxes for gas-fired appliances not exceeding 20kW.

BS EN 1858 - Chimneys - Components - Concrete flue blocks.

BS EN 1806 - Chimneys - Clay / ceramic flue blocks.

BS 5440 Part 1 - Installation of flues.

BS 5440 Part 2 - Installation and maintenance of flues and ventilation for gas appliances of rated input not exceeding 70 kW net (1st, 2nd and 3rd family gases).

BS 6461 Part 1 - Masonry chimney & flues - Installation

BS 1251 - Fireplace components

BS 5871 Part 2 - Installation - Inset LFE gas fires

BS 6891 - Gas pipework installation

- In England and Wales, the current edition of the Building Regulations issued by the Department of the Environment and the Welsh Office.
- In Scotland, the current edition of the Building Standards (Scotland) Regulations issued by the Scottish Executive.
- In Northern Ireland, the current edition of the Building regulations (Northern Ireland) issued by the Department of the Environment for Northern Ireland.
- In the Republic of Ireland the installation must be carried out by a competent person and installed in accordance with:
 - a) The current edition of IS 813 "Domestic gas installations".
 - b) All relevant national and local rules in force.
 - c) The current building regulations

Where no specific instructions are given, reference should be made to the relevant British Standard Code of Practice.

INSTALLER GUIDE

4.2 Ventilation requirements.

Normal adventitious ventilation is usually sufficient to satisfy the ventilation requirements of this appliance. In GB reference should be made to BS 5871 Part 2 and in IE reference should be made to the current edition of IS 813 “Domestic Gas Installations” which makes clear the conditions that must be met to demonstrate that sufficient ventilation is available.

4.3 The Atmosphere sensing device (ASD).

The appliance is fitted with an A.S.D (Atmosphere sensing device). If the appliance closes down after a period of operation for no apparent reason, the consumer should be informed to stop using the appliance until the installation and appliance have been thoroughly checked. The A.S.D will shut the appliance down if an unacceptable amount of harmful products of combustion accumulate. Under no circumstances should the A.S.D be altered or bypassed in any way. Only a genuine manufacturer’s replacement part should be fitted. The individual A.S.D components are not replaceable.

4.4 Fireguard requirements.

A fireguard complying with BS 8423 should be fitted for the protection of young children, the elderly, the infirm and pet animals.

4.5 Room considerations.

4.5.1 This appliance must not be installed in any room that contains a bath or shower or where steam is regularly present.

4.5.2 An extractor fan may only be used in the same room as this appliance, or in any area from which ventilation for the appliance is taken, if it does not affect the safe performance of the appliance. Note the spillage test requirements detailed further on in this guide. If the fan is likely to affect the appliance, the appliance must not be installed unless the fan is permanently disconnected.

4.5.3 Note that soft wall coverings (e.g. embossed vinyl, etc.) are easily affected by heat. They may scorch or become discoloured when close to a heating appliance. Please bear this in mind when installing.

4.6 Chimney preparation.

4.6.1 If the appliance is intended to be installed to a chimney that was previously used for solid fuel, the flue must be swept clean prior to installation. All flues should be inspected for soundness and freedom from blockages.

4.6.2 Any chimney damper or restrictor should be removed. If removal is not possible, they must be secured in the open position.

INSTALLER GUIDE

4.7 Fireplace preparation.

4.7.1 If the fireplace opening is an underfloor draught type, it must be sealed to stop any draughts.

4.7.2 The fireplace floor should be reasonably flat to ensure that the convection box can be installed without it rocking and so that a good seal can be made at the bottom front of the box.

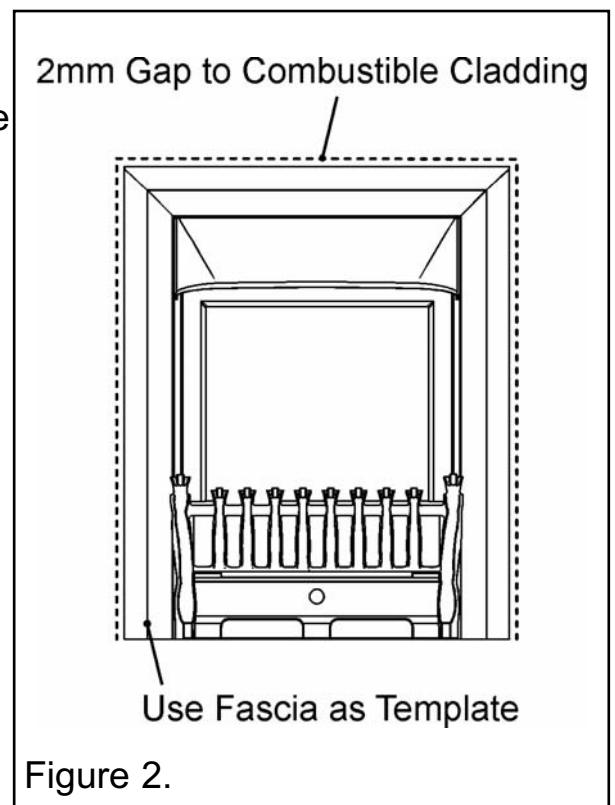
4.7.3 The front face of the fireplace should be reasonably flat over the area covered by the convection box top and side flange seals to ensure good sealing. These faces should be made good if necessary.

4.7.4 If the appliance is to be fitted against a wall with combustible cladding, the cladding must be removed from the area covered by the fascia. The cladding must also not touch the fascia (See figure 2). We suggest that the actual fascia is used as a template to mark the area for combustible cladding removal and that this area is increased by at least 2mm all round.

4.7.5 If the fireplace opening is greater than the acceptable dimensions given in this guide, do not use the back of a fire surround or marble to reduce the opening. This may cause cracking of the surround back or marble.

4.8 The hearth and back panel.

The appliance must be mounted behind a non-combustible hearth unless the conditions of section 4.10.1.1 are met (N.B. conglomerate marble hearths are considered as non-combustible). The appliance can be fitted to a purpose made proprietary class "O"-150°C surround. The hearth material must be at least 12mm thick. The periphery of the hearth (or fender) should be at least 50mm above floor level to discourage the placing of carpets or rugs over it. The appliance must not stand on combustible materials or carpets.



INSTALLER GUIDE

4.9 Fireplace clearances.

4.9.1 The minimum height from the base of the fireplace opening to the underside of any shelf made from wood or other combustible materials is detailed below.

- For a shelf up to 150mm deep: Minimum height = 700mm.
- For a shelf deeper than 150mm: 700mm + 12.5mm for every 25mm depth over 150mm (See Figure 3).

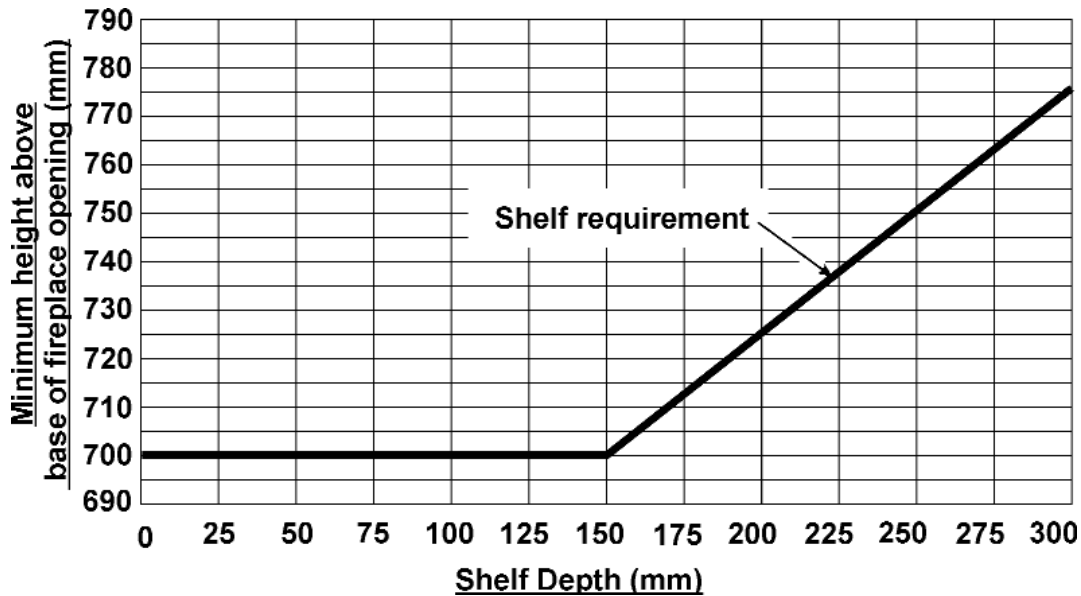
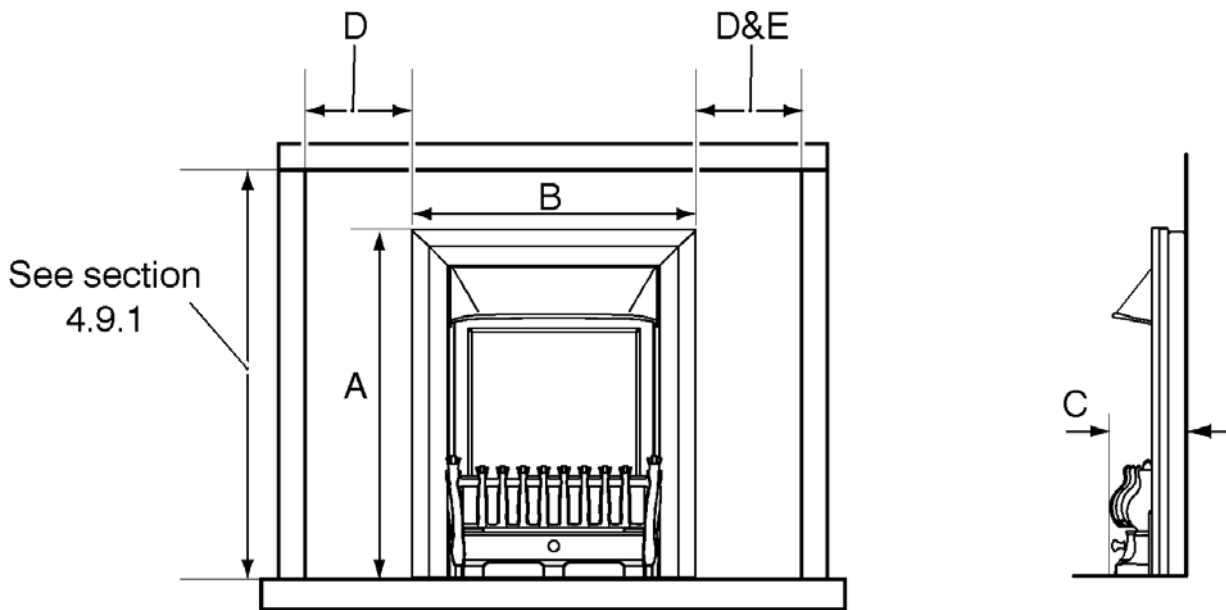


Figure 3. Combustible shelf clearances

4.9.2 The minimum allowable distance from the outside of the appliance fascia to a corner wall having combustible material or any other combustible surface which projects beyond the front of the appliance is shown in figure 4. A 10mm access clearance from a non-combustible surface is necessary at the left side.

INSTALLER GUIDE



Key	Description	Model
		Homeflame Blenheim
A	Height (mm)	612
B	Width (mm)	505
C	Depth into room (mm)	131
D	Minimum mandatory clearance to combustible surfaces projecting beyond the front of appliance (mm).	100
E	Recommended clearance to non-combustible surfaces for access purposes (mm).	50

Figure 4. (Dimensions are subject to manufacturing tolerances)

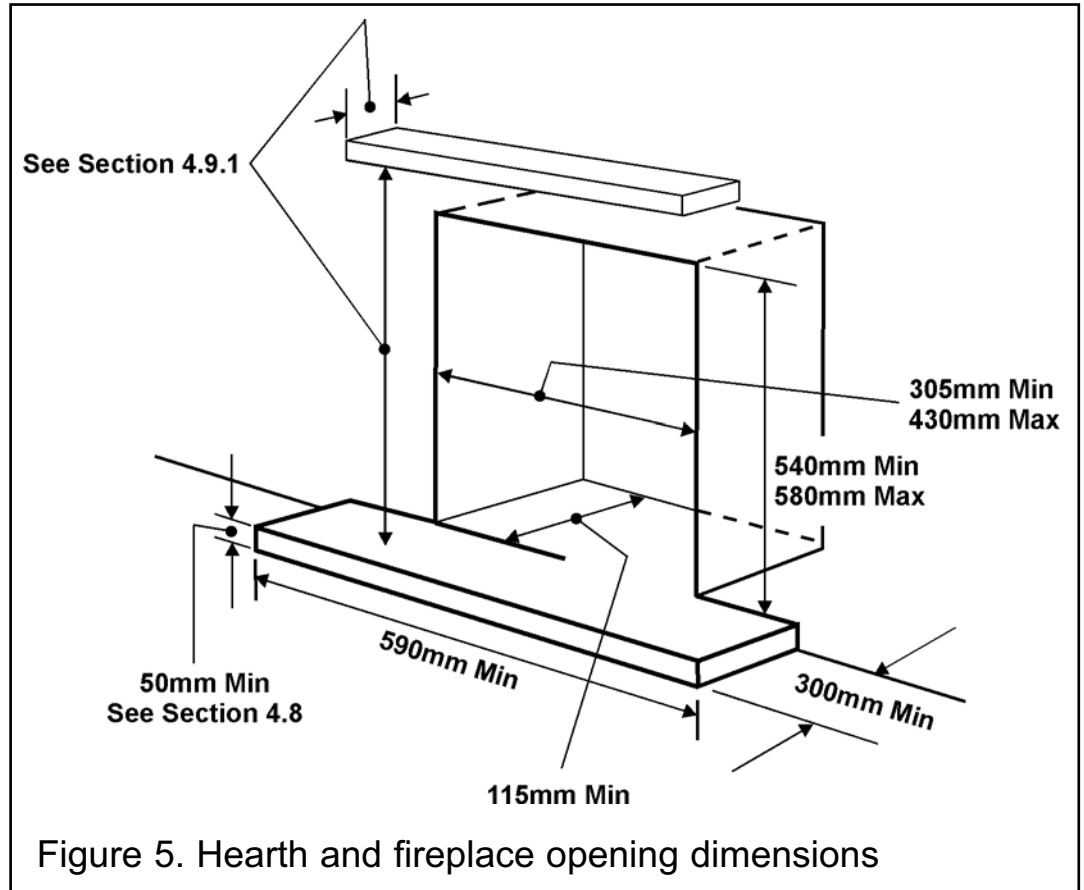
INSTALLER GUIDE

4.10 Installation options.

In the United Kingdom, as supplied, the appliance can be installed in the following situations: -

4.10.1 Conventional fireplace and hearth.

To a fireplace complete with hearth as shown in figure 5. Chair brick removal may not be required providing at least 50mm clearance is available from the flue outlet to any fireplace component.



4.10.1.1 'Hole-in-the-wall' Installations.

- It is recommended that a hearth should be installed as in section 4.8 (See figure 5).
- If a reduced depth hearth is fitted, the fire must be installed so that the distance from the base of the fireplace opening in the wall to the finished floor level is at least 72mm. Where there is no floor covering or carpet and the floor is of a type that is likely to be covered in such a way then the distance from the base of the fireplace opening in the wall to the finished floor level should be increased to at least 147mm. If the lower part of the fascia (the firefront) is free standing, the recommended reduced hearth depth is 100mm. This is necessary to support the firefront (See figure 4 for appliance dimensions).
- To protect from the risk of burns and ignition of clothing a tactile separator shall be used. The hearth detailed in section 4.8 meets the requirements for a tactile separator. If this is not used then a 590mm long fender, kerb, horizontal bar, or other barrier, being fixed not less than 50mm above floor level and positioned 300mm in front of the fixing plane of the fire will meet the requirement.

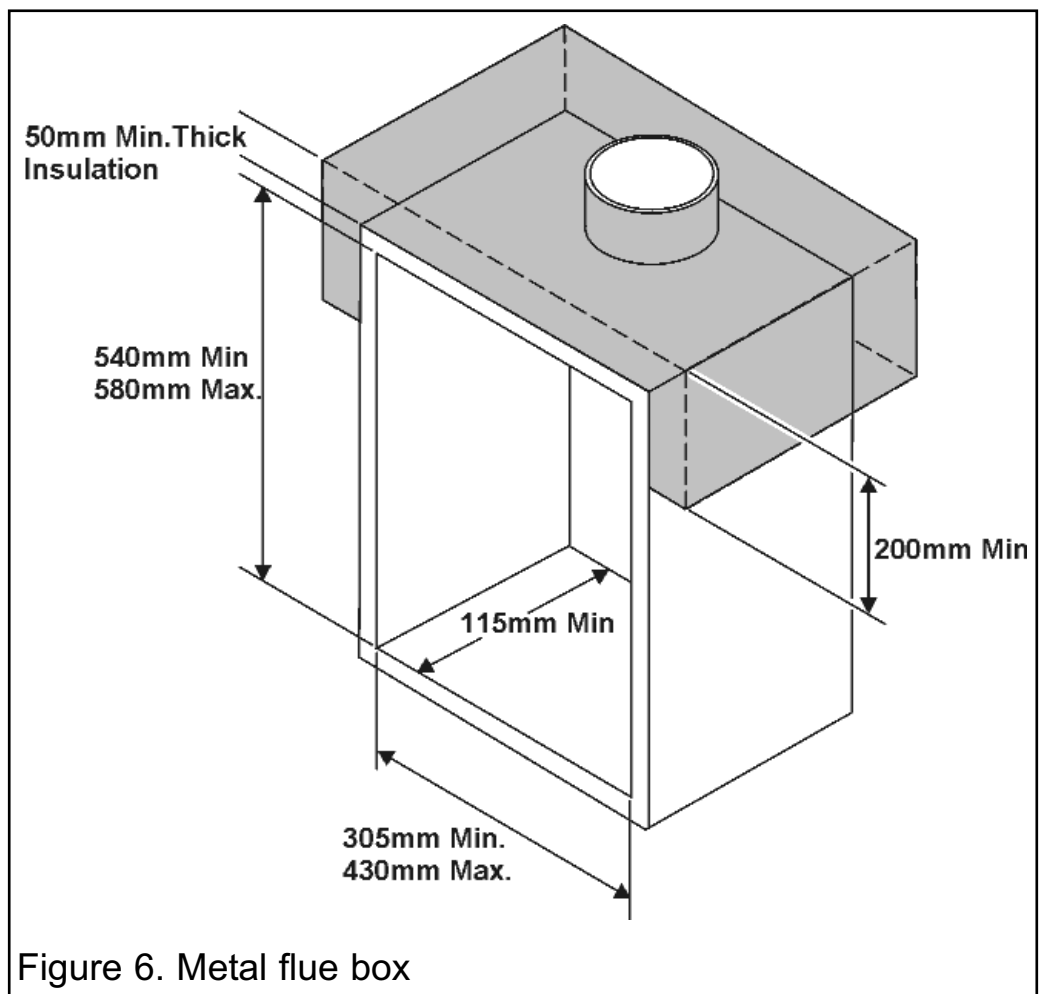
INSTALLER GUIDE

4.10.2 Metal flue box and hearth.

The appliance can be installed to a fireplace incorporating a twin wall metal flue box complying with the constructional requirements of the current edition of BS 715 and with a flue conforming to BS EN 1856 part 1. The dimensions of the flue box must conform to those shown in figure 6.

The top surface of the metal flue box and the upper 200mm of the sides and rear faces must be covered with a 50mm layer of mineral wool or equivalent insulation (See figure 6).

Important Note: Where the flue box has a base sheet that is single wall (i.e. a single metal sheet) the flue box must be mounted on a non-combustible hearth. The hearth material must be at least 12mm thick.



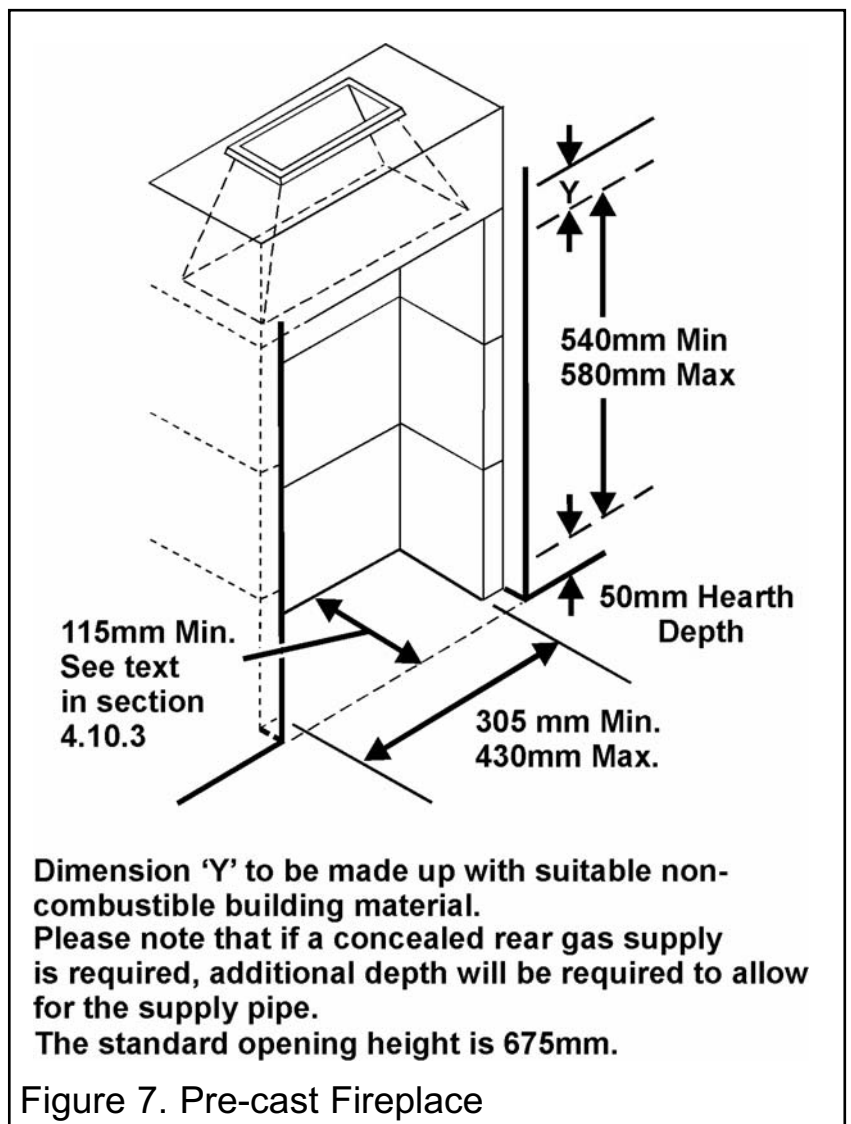
INSTALLER GUIDE

4.10.3 Precast concrete or clay flue block system and hearth.

The appliance can be installed to a precast concrete or clay flue block system conforming to BS1289 or BS EN 1858 with dimensions as in figure 7.

BS 1289 part 1 recommends there should be an air space or insulation between the flue blocks and the plaster because heat transfer may cause cracking on directly plastered flues. However, generally this appliance is suitable for installations under all circumstances unless there is a history of cracking problems. Remember that faults such as cracking may be caused by poorly built and restrictive flues, e.g. mortar extrusions, too many bends, flue heights below three metres, restrictive terminations etc.

The appliance is suitable for installations conforming to older versions of BS1289 as well as the current edition. The flue blocks must have a minimum width (Depth as you look at the flue block when installed) not less than 63mm and a cross-sectional area not less than $13,000\text{mm}^2$. Older editions of BS1289 required a cross-sectional area of $13,000\text{mm}^2$. The current revision of the standard requires $16,500\text{mm}^2$. This appliance is suitable in both cases. The total depth of the opening measured from the finished front of the fireplace (Including plaster, surround etc.) must be 115mm.



INSTALLER GUIDE

4.11 Flues.

1. Suitable flues and minimum flue sizes are as follows:

It should be noted that, as with many appliances, sharp bends or horizontal runs in metal flues at the top of the system can be a cause of problems in these types of installation.

- 225mm x 225mm conventional brick flue.
- Single wall, twin wall or flexible flue liner with a minimum diameter of 125mm. The materials to be used are stainless steel or aluminium as specified in BS EN 1856 Part 1. The liner must be sealed to the surrounding area above the fireplace opening and to the top of the chimney. An approved terminal must be fitted.
- 175mm diameter lined brick or stone flue.
- 200mm diameter factory made insulated flue manufactured to BS4543 Part 2.
- 175mm diameter flue pipe. See BS6461 Part 1 for suitable materials.
- A properly constructed precast concrete or clay flue system conforming to BS1289 or BS EN 1858. This system is only suitable if the conditions stated in section 4.10.3 are met.

2. The flue must conform to BS 5440: Part 1 in design and installation.

The flue, measured from the bottom of the fireplace opening to the bottom of the terminal, shall be not less than 3m in actual vertical height. When calculated in accordance with BS 5440: Part 1 Annex A, the minimum **equivalent** height of the flue shall be 2.0m of 125mm dia. flue pipe.

3. The flue must not be used for any other appliance or application.

4. Proprietary terminals must comply with BS 715 or BS 1289. Any terminal or termination must be positioned in accordance with BS 5440 Part 1 to ensure that the products of combustion can be safely dispersed into the outside atmosphere. Where the appliance is connected to an unlined brick chimney it is generally unnecessary for the chimney pot to be replaced or for a terminal to be fitted unless the flue has a diameter smaller than 170mm.

5. The flue must be completely sealed so that combustion products do not come into contact with combustible materials outside the chimney.

INSTALLER GUIDE

5. PACK CONTENTS

- 1 Heat engine.
- 1 Grommet for rear of convection box.
- 2 Strips of floor sealing tape.
- 6 Fibre / wooden plugs.
- 4 Wood screws.
- 2 Fire retaining cables.
- 2 Cable adjusters.
- 4 Eyebolts.
- 1 Length of self-adhesive foam seal.
- 1 Inlet "T" connector including pressure test point, nut and olive for 8mm inlet pipe.
- 1 Ceramic fuel effect pack (Not shown).
- 1 Smoke match tube.
- 1 Fascia frame.
- 1 Trim set.
- 8 Magnets
- 1 Firefront casting.
- 1 Front cover casting.
- 1 Outlet baffle.
- 3 No.8 x 3/8 screws for securing the outlet baffle.

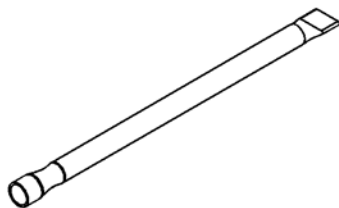
Remove all the items carefully to prevent damage. Take special care when handling the ceramic components. Some items may be contained in the packaging fittings - Examine the packaging carefully before discarding. Check that all the items are present and undamaged.

INSTALLER GUIDE

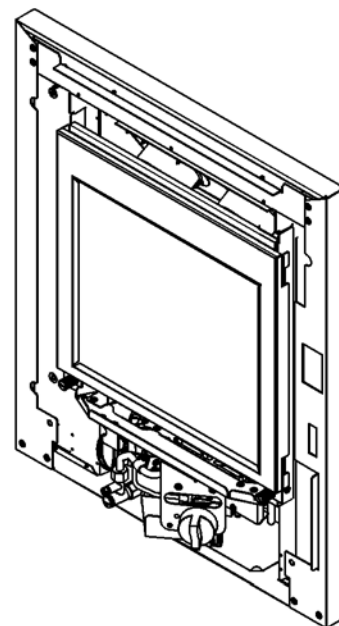
Self-Adhesive
Foam Strip (1 off)



Smoke match tube (1 off)



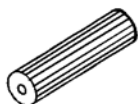
Heat engine (1 off)



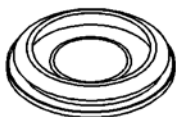
Wood screws (4 off)



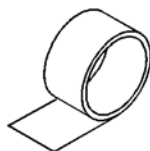
Fibre / Wooden Plugs (6 off)



Rubber grommet (1 off)



Floor sealing tape (2 off)



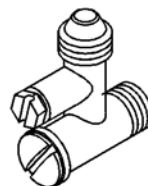
Eyebolt (4 off)



Cable Adjuster (2 off)



Inlet 'T' connector (1 off)



Fire Retaining
Cable (2 off)



Nut and olive (1 off)



Figure 8. Pack contents (Continued on next page)

INSTALLER GUIDE

Blenheim fascia

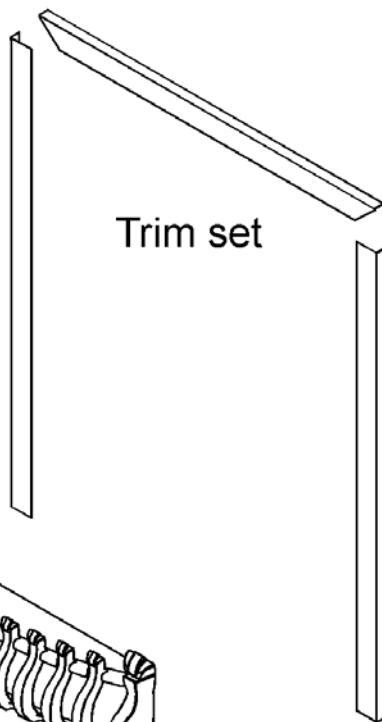
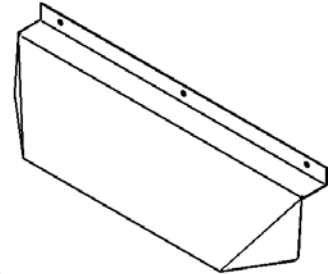


No.8 x 3/8" Black Pozi (3 off)
For fixing outlet baffle.

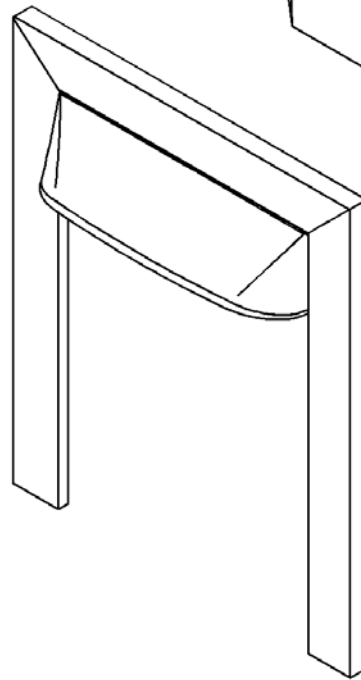


Magnets (8 off)

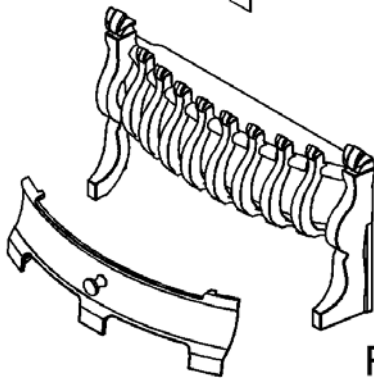
Outlet baffle



Trim set



Fascia frame



Firefront casting

Front cover casting

Figure 8. Pack contents

6.1 Soundness for appliance attachment.

Two primary methods of retaining the appliance are provided: -

- 1) By fixing to the fireplace front surround.
- 2) Using concealed fire retaining cables fixed to the rear of the fireplace opening together with secondary fixing to the fireplace floor.

The methods are detailed in section 10 of this guide. Before selecting the retention method, consult with the customer. Method 2 is provided for instances where drilling holes in the front surface of the fireplace surround is unacceptable to the customer or otherwise impractical. N.B. It is unwise to attempt to drill into marble without the proper tools and equipment.

If method 1 is chosen, make sure that the front surround area is sound enough to take the fibre / wooden plugs and wood screws. If necessary, make sound with suitable cement.

If method 2 is chosen, make sure that the areas at the back and base are sound enough to take the eyebolts and wood screws. If these areas have deteriorated due to prolonged use, they should be made sound with suitable cement.

6.2 Fireplace flue pull.

Close all doors and windows in the room in which the appliance is to be installed.

After confirming with a match that smoke is drawn into the flue, light a 13 gram smoke pellet and check that there is a definite flow through the flue. Verify outside that the smoke exits from one terminal only and that the termination is suitable.

Observe where possible, upstairs rooms and loft spaces for signs of escaping smoke indicating a defective flue. If there is not a definite flow, warm the flue for a few minutes and repeat the smoke pellet test. If there is still no definite flow the flue may need remedial work – **Do not fit the appliance until there is a definite flow through the flue.**

INSTALLER GUIDE

7. IGNITION CHECK

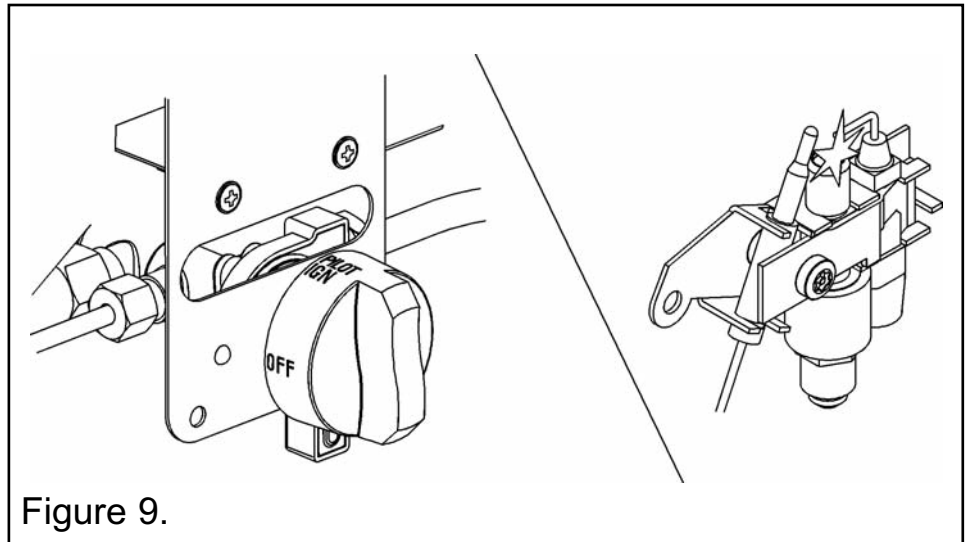
Before attempting to install, it is worth checking that the ignition system performs satisfactorily.

- Set the control knob to the OFF position.
- Depress the control knob and rotate it anticlockwise to the PILOT / IGN position. A 'click' will be heard as the

integral piezo operates. A spark should be seen between the electrode and pilot tip. If there is no spark check

the following: -

- Ensure that the electrode lead is connected to the terminal at the base of the electrode.
- If the above is correct, check for damage to the electrode lead.



8. GAS SUPPLY CONNECTION

A nut and olive are provided for an 8mm pipe inlet connection to the inlet 'T' connector at the bottom front of the appliance. The inlet 'T' connector can be rotated to allow a connection from any direction. The inlet 'T' connector includes a valve for isolating the gas supply and a pressure test point.

The supply pipe must be rigid material. Flexible pipe must not be used.

Concealed supply pipe connection.

If a concealed connection from inside the fireplace is required then, **before the appliance is fitted into the fireplace** it will be necessary to extend the supply line so that it will project through the hole in the back of the convection box and run to the inlet 'T' connector at the front. The pipe run from the supply line up to the rear opening in the convection box must be kept away from the area which will be taken by the convection box when it is installed. Note that the centre of the appliance inlet 'T' connector is 25mm above the fireplace floor. The inlet 'T' connector should be fitted to the supply pipe at this stage.

INSTALLER GUIDE

9. PREPARING APPLIANCE FOR INSTALLATION

9.1 Appliance preparation.

1. Remove any transit tape and packing and inspect for any evidence of mishandling which might affect the performance of the fire.

2. Detach and remove the window assembly. To do this unscrew and remove the two thumbscrews at the base of the window assembly. Gently lift the window assembly upward and forward (See figure 10). Place the window assembly and thumbscrews in a safe place away from the work area.

3. Unscrew and remove the screw that secures the gas tap bracket. This can be found to the bottom left of the control knob (See figure 11).

4. Each unit is flame tested before it leaves the factory and as a result there may be slight discolouration around the burner ports. Detach the burner unit from the convection box by removing two screws (See figure 12). Lift the burner unit clear.

5. It is important that the grommet supplied in the loose parts pack is fitted to the hole in the rear of the convection box (See figure 13).

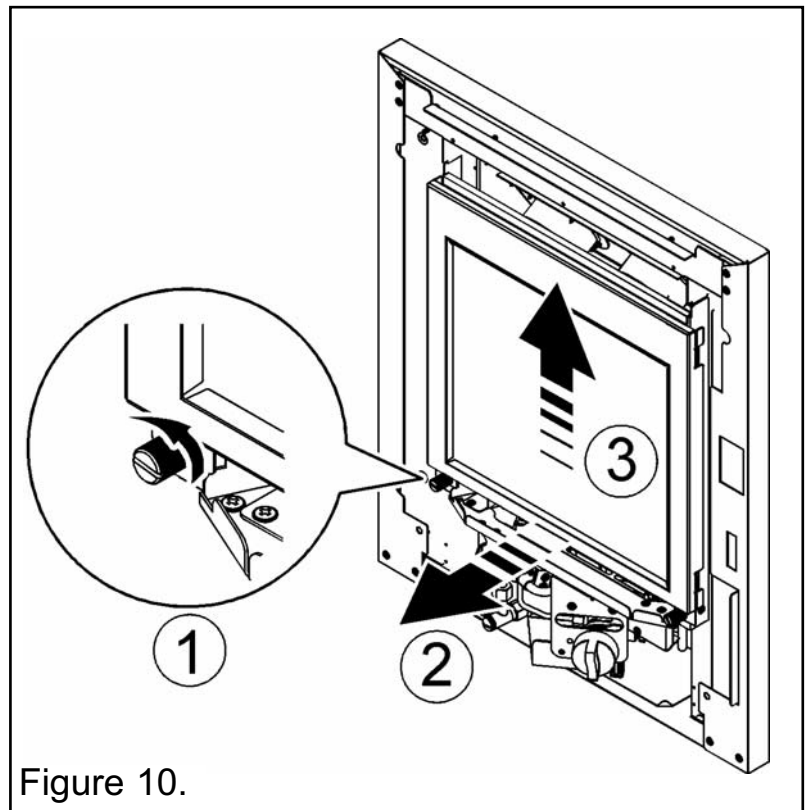


Figure 10.

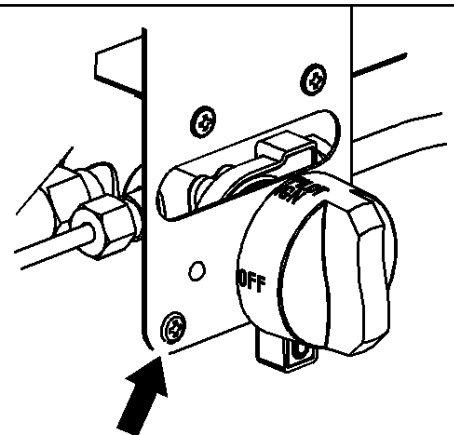


Figure 11.

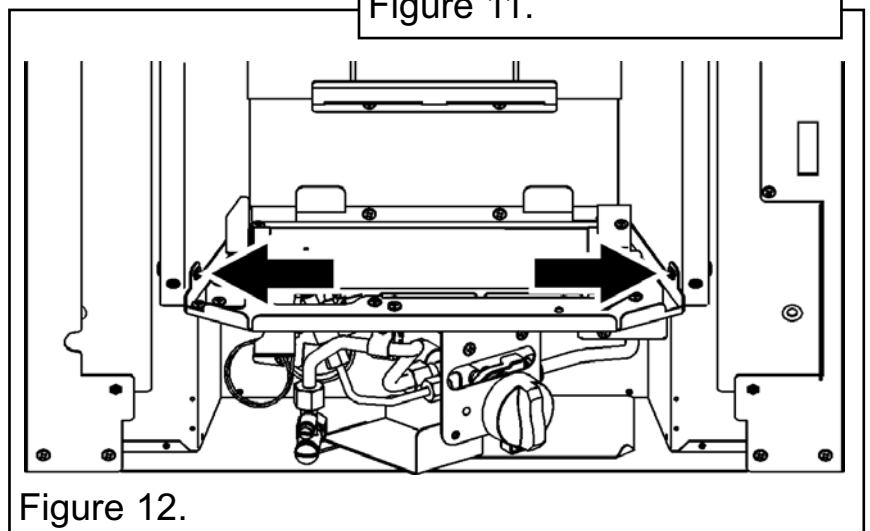
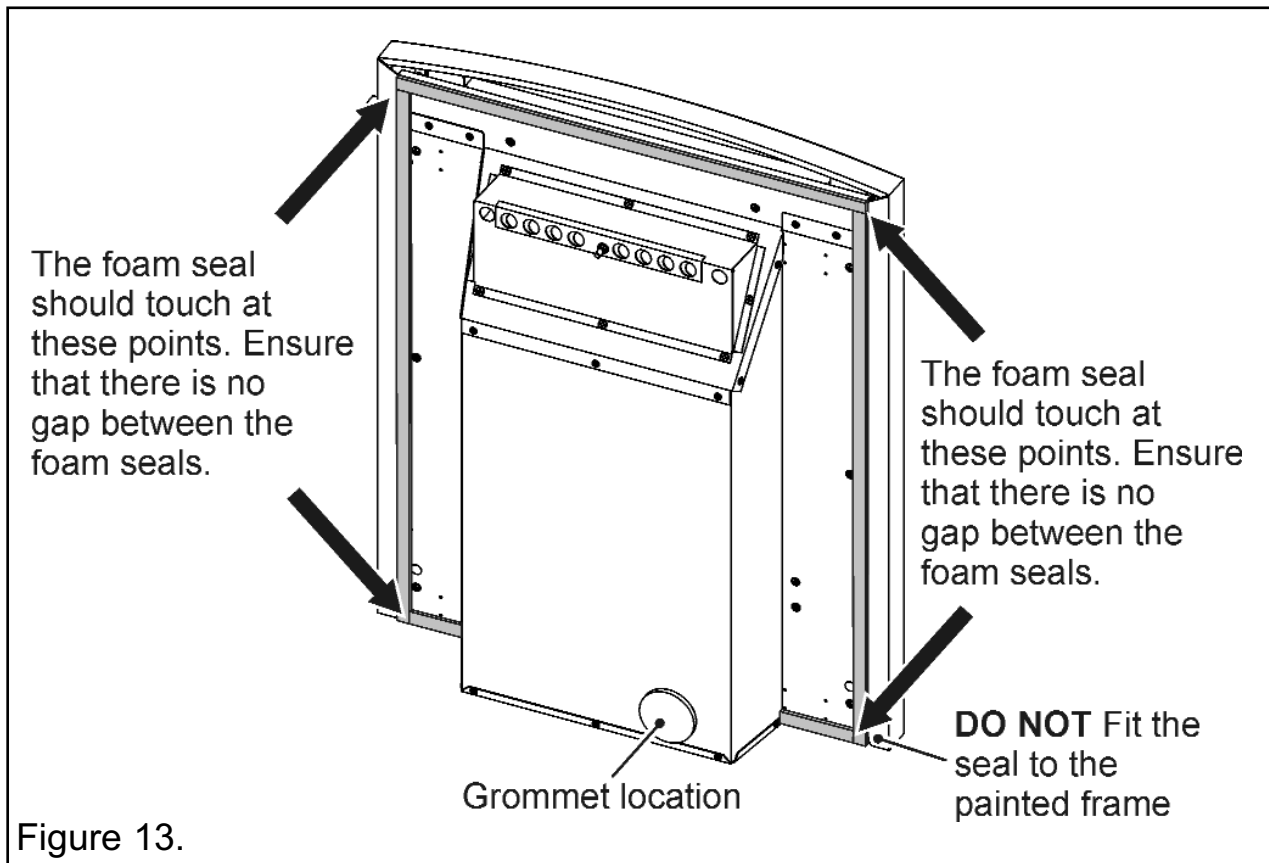


Figure 12.

INSTALLER GUIDE

9.2 Fitting the foam seal.

There is a length of self adhesive foam seal supplied with the fire. This will need to be fitted to the rear of the convection box as shown in figure 13. Cut the foam seal to the required lengths. Be careful not to stretch the seal when measuring. Remove the protective backing from the foam seal and fit this to the rear of the convection box flange (See figure 13).



9.3 The flue restrictor.

This appliance is fitted with a flue restrictor for use where the flue draught is excessive. The flue restrictor can be adjusted from the front of the fire so there is no need to remove the fire from the fireplace for adjustment to be made. Generally we recommend the restrictor is set to its fully open position where a precast flue, metal flue box or a flue liner is used, however, certain flues may work sufficiently to warrant its use. There may however, be circumstances where the restrictor causes the fire to fail the spillage test. In such cases the restrictor will have to be set to its fully open position and a spillage check conducted again.

The restrictor is supplied in the fully open position and can be adjusted. To adjust the restrictor, locate the central screw at the rear of the convected air outlet (See figure 14). Loosen the screw and with the screw driver still in the head of the screw, slide the restrictor to the desired position. Secure the restrictor by tightening the screw.

INSTALLER GUIDE

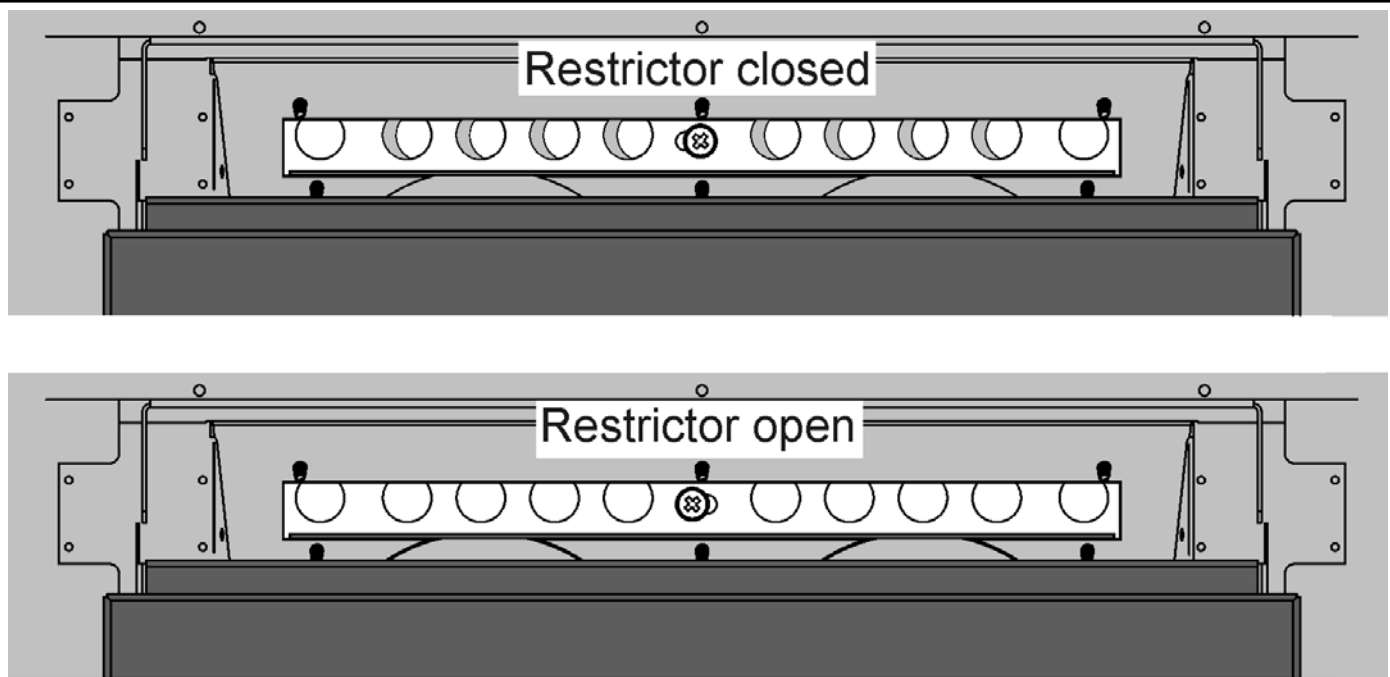


Figure 14.

10. CONVECTION BOX INSTALLATION

10.1 Method 1- Front fixing to fireplace surround.

1. Make sure that the fireplace front surround area is sound enough to take the fibre / wooden plugs and wood screws. If necessary, make sound with suitable cement.
2. Place the convection box centrally in the fireplace in the position in which it is to be permanently installed. If a concealed connection is being used, insert the convection box into the fireplace feeding the supply pipe through the pierced hole in the grommet.
3. Mark the fireplace front surround through the four fixing holes in the side flanges of the convection box (See figure 15).
4. Remove the convection box. Drill four holes in the fireplace front surround at the marked positions using a suitably sized masonry drill for the fibre / wooden plugs supplied.
5. Insert a fibre / wooden plug into each hole.
6. Place the convection box back in position in the fireplace.
7. Fit a wood screw through each hole in the convection box flanges and tighten to seal the box to the fireplace surround.

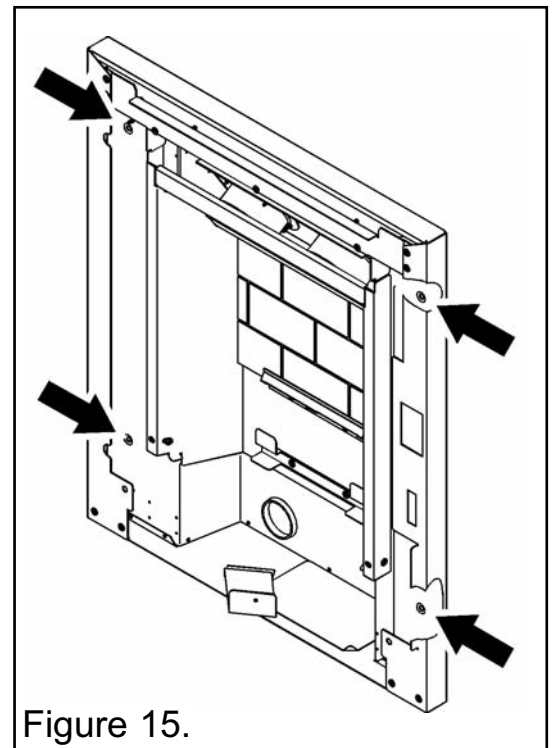


Figure 15.

INSTALLER GUIDE

10.2 Method 2 - Cable retention.

1. Make sure that the relevant areas at the fireplace back and floor are sound enough to take the eyebolts and screws. If these areas have deteriorated due to prolonged use they should be made sound with suitable cement.

2. Drill four holes in the rear wall of the fireplace for the eyebolt plugs. The holes should be drilled within the range of positions shown in figure 16 using a suitably sized masonry drill for the fibre / wooden plugs supplied. The holes should be equidistant each side of the centre line of the fireplace to ensure that the appliance finishes centrally in the opening when tension is applied to the cables.

3. Insert a fibre / wooden plug into each hole. Use the fibre / wooden plugs supplied with this appliance - **Never use plastic plugs instead of the fibre / wooden plugs supplied.**

Screw the eyebolts into the plugs. Make sure that the bolts are secure.

4. Place the convection box unit close to the fireplace but allow sufficient access into the fireplace opening so that the cables can be threaded through the eyebolts and returned through the convection box. If a concealed connection is being used, insert the convection box into the fireplace feeding the supply pipe through the pierced hole in the rear seal.

5. The fire has eight pairs of small holes for cable securing, only four will be used. For openings up to 382mm wide use the inner set of holes. For openings above this use the outer holes (See figure 17). Once the upper pairs of holes are selected, feed approximately 100mm of cable from the rear of the fire through the upper

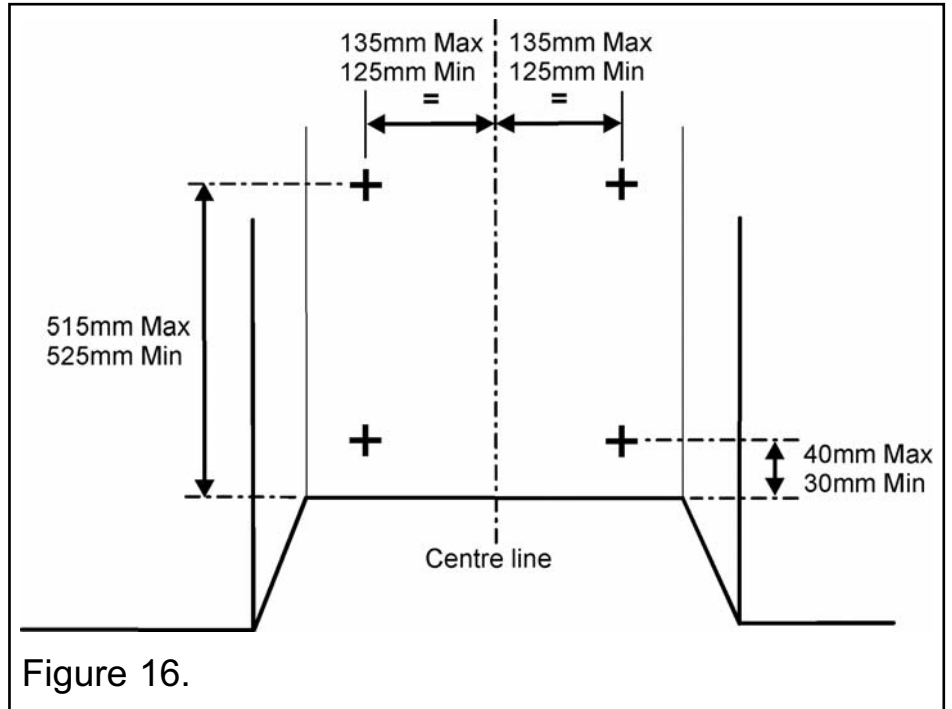


Figure 16.

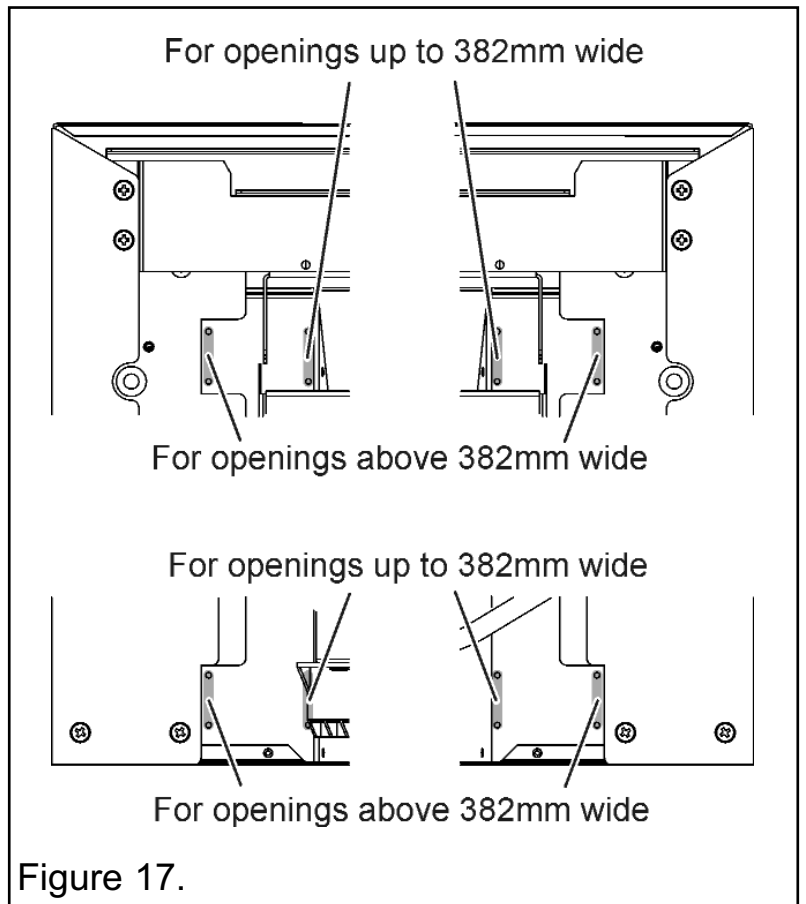


Figure 17.

INSTALLER GUIDE

hole, then feed approximately 20mm of cable into the lower hole. Gently pull the upper cable from the rear of the fire to lock into place (See figure 18). Repeat this on both sides.

6. Thread the cables through the eyebolts in the rear wall. Return the cables through the selected hole near the bottom of the convection box (See figure 18).

7. Ensuring it is aligned correctly and central, place the convection box fully back into the fireplace opening so that it is sealed against the fireplace front surround.

8. Drill a hole into the fireplace floor through each of the two holes in the base of the convection box using a suitably sized masonry drill for the fibre / wooden plugs supplied (See figure 19).

9. Insert a fibre / wooden plug into each hole. Use the fibre / wooden plugs supplied with this appliance - **Never use plastic plugs instead of the fibre / wooden plugs supplied.** Fit a wood screw in each plug and tighten. ***Always screw the base into position before applying tension to the cables. This will ensure a tight seal between the top of the convection box and wall.***

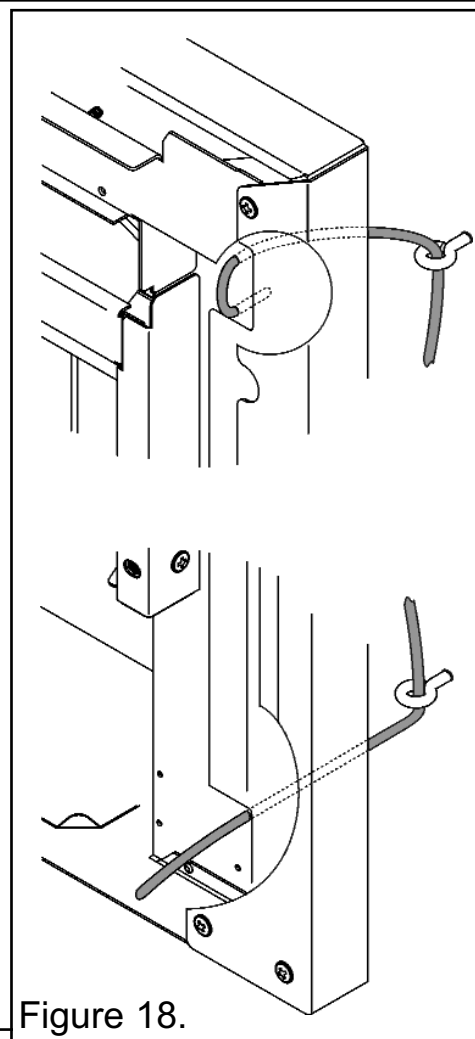
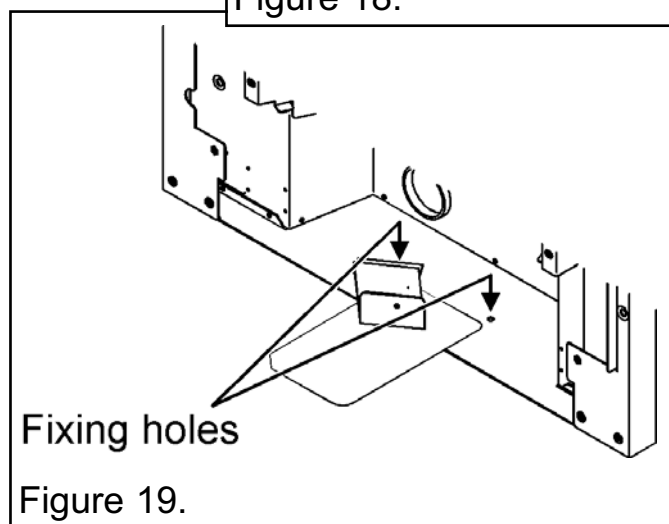


Figure 18.



Fixing holes

Figure 19.

INSTALLER GUIDE

10. Fit a cable retainer over the bottom end of each cable (See figure 20).

11. Pull each cable taut. Push the cable retainers hard up against the convection box flanges. Tighten the screws in the retainers so that they clamp the cables in position. Apply tension to the cables by turning the hexagonal adjusters by hand (See figure 20).

12. Inspect the installation of the convection box against the fireplace surround. If the convection box is aligned squarely and the sealing is satisfactory, fully tighten the cable retainers.

13. Push the free length of the cables through the adjacent holes in the convection box so that they are available to allow easy removal and refitting of the appliance during subsequent service calls (See figure 20).

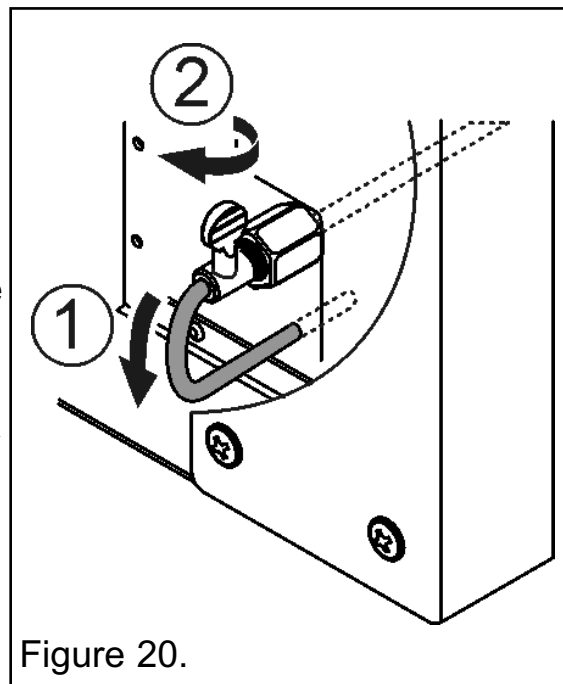


Figure 20.

10.3 Floor sealing.

Using the floor sealing tape supplied, seal the bottom of the convection box to the fireplace and hearth floor (See figure 21). **DO NOT COVER THE INFORMATION LABEL.**

10.4 Sealing convection box holes.

The rear, inner sides and front flanges of the convection box have small holes and openings that will allow room air to pass into the fireplace opening / flue box opening. Although these holes are no cause for concern it is important to seal them to optimise the performance of the fire. An additional length of tape is supplied with the fire, use this to seal any holes in the rear and inner sides of the convection box. **DO NOT** tape over the large holes in the top of the convection box.

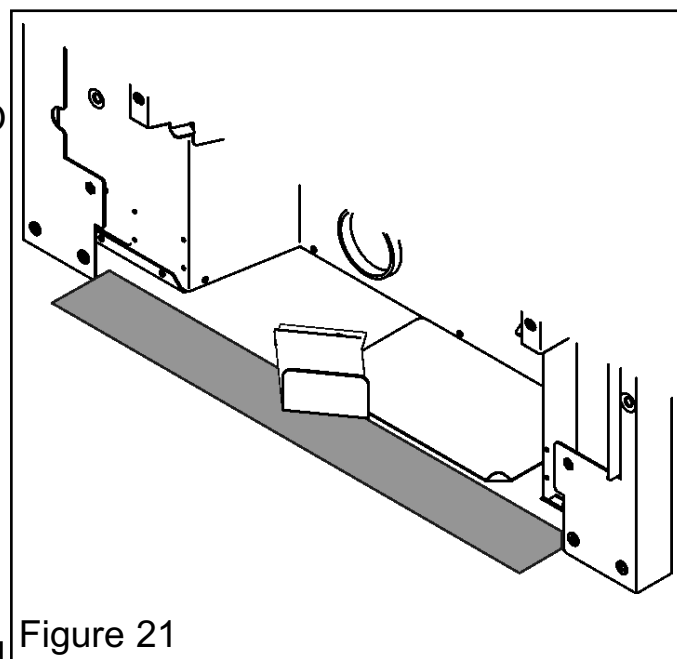


Figure 21

11. BURNER INSTALLATION

11.1 Burner and supply pipe installation.

1. Fit the burner unit to the convection box with two screws (See figure 12).
2. Screw the gas tap bracket to the support bracket with the screw removed previously (See figure 11).
3. Connect the supply line to the appliance.
4. Pressure check the installation pipework for gas soundness. In the United Kingdom check in accordance with the current edition of BS6891. In the Republic of Ireland refer to the current edition of I.S. 813 "Domestic gas installations".

11.2 Preliminary burner checks.

Some burner operations can be checked at this stage. Checking now will mean that less disassembly will be required if any problems are found. A full check should still be made, however, after final installation.

11.2.1 Lighting the burner.

1. Depress the control knob and rotate it SLOWLY anticlockwise to the PILOT / IGN position. A 'click' will be heard as the integral piezo operates. A spark should be seen between the electrode and pilot tip.
2. Turn the control knob clockwise to the OFF position. Repeat this operation until a flame appears at the pilot. There may be a delay before the pilot lights due to air being purged from the system. When a flame appears at the pilot keep the control knob depressed and hold the pilot ignition position for ten seconds. When the control knob is released the pilot flame should remain lit.

11.2.2 Operating the burner.

1. When the pilot burner is operating properly, gradually turn the control knob anticlockwise to HIGH (Depress the knob slightly to get past the PILOT / IGN position).

The main burner should now light. Depress the control knob slightly to release from the HIGH position and turn back (clockwise) to LOW. While turning, the burner flames should gradually become lower but remain alight. Depress the control knob slightly to release from the LOW position and turn back (clockwise) to the PILOT / IGN position. The main burner should extinguish but the pilot should remain alight. Depress the control knob slightly and turn back (clockwise) to turn OFF. This will extinguish the pilot. If the above checks are satisfactory, continue with the installation. If not, check the control and ignition circuitry and components.

INSTALLER GUIDE

11.3 Inlet pressure check.

The appliance is pre-set to give the correct heat input at the inlet pressure shown in section 3 of this guide. No adjustment is necessary.

1. Check the inlet pressure by fitting a pressure gauge at the test point. The test point is on the inlet 'T' connector (See figure 22). Check the pressure with the appliance alight and set at maximum output.
2. After checking, turn off the appliance. Remove the pressure gauge and replace the test point sealing screw.

When the above checks from section 11.2 and 11.3 have been completed close the isolating valve on the inlet 'T' connector.

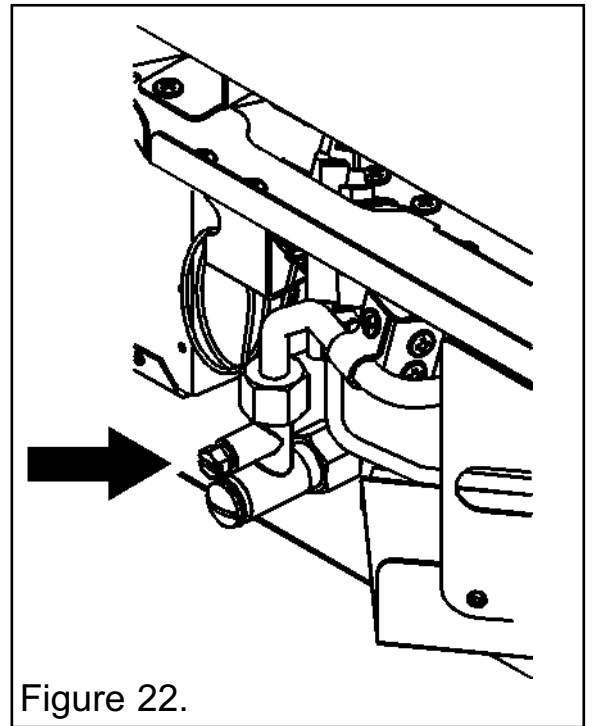


Figure 22.

12. FITTING THE CERAMIC FUEL EFFECT

The installer and owner guide for the ceramic fuel effect is supplied with the ceramic fuel effect. It is important that the fitting guide for the ceramic fuel effect be placed inside or attached to this guide and handed to the customer following completion of the 'Final review' section.

13. FITTING THE WINDOW

1. Locate the window assembly as in figure 23.
2. Apply a small amount of pressure to the base of the window assembly to overcome resistance from the window gasket. With the base of the window assembly close to the fire body insert and secure the window assembly with the two knurled screws removed previously.

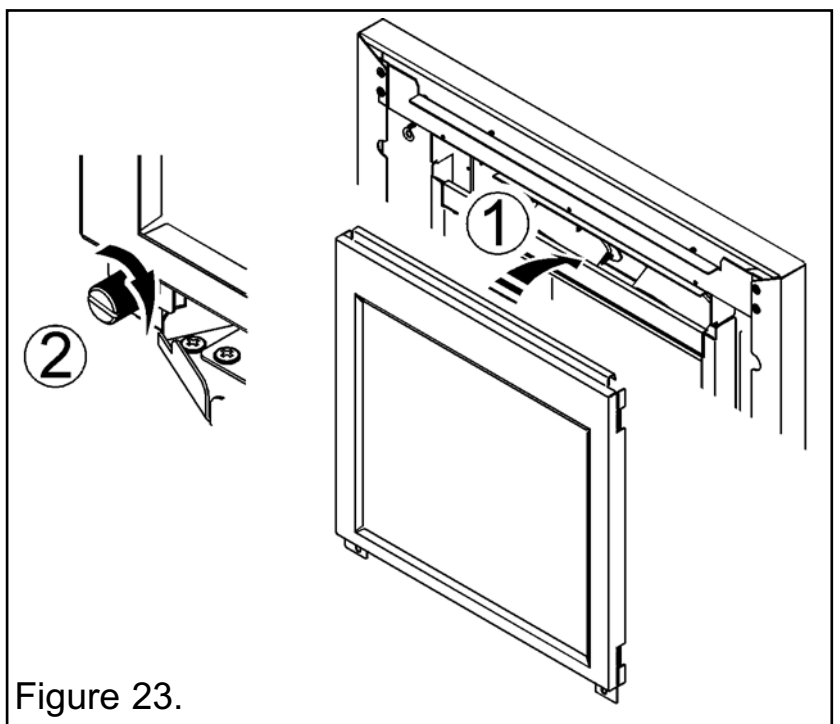


Figure 23.

INSTALLER GUIDE

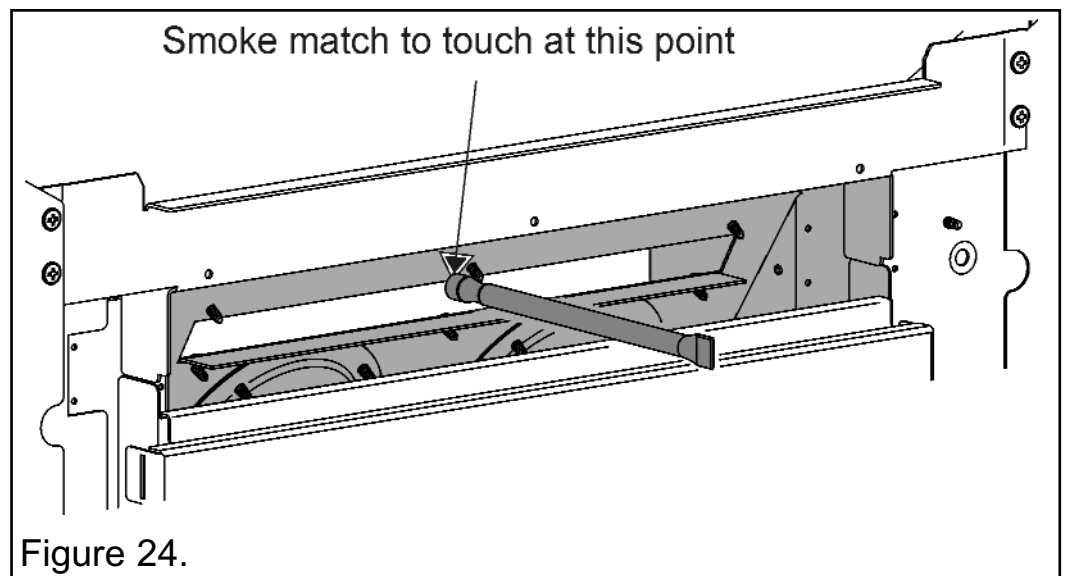
14. SPILLAGE AND FLAME SUPERVISION CHECKS

14.1 Check for spillage.

A spillage check must be made before leaving the installed appliance with the customer. Make this with all the ceramic fuel effect pieces and window in position.

IMPORTANT: Only use the smoke match tube supplied with the fire. Do NOT use other smoke match tubes.

1. Open the isolating valve on the inlet 'T' connector. Test around the sealing cap and pressure test point for gas soundness with a suitable leak detection fluid.
2. Close all doors and windows in the room containing the appliance.
3. Light the appliance and set the control knob to the HIGH position.
4. Leave the appliance on for five minutes.
5. Place the smoke match into the appliance outlet (See figure 24).



6. The installation is satisfactory if the smoke is drawn into the appliance. If the smoke is not drawn into the appliance, leave the appliance alight at the 'HIGH' setting for a further ten minutes and then repeat the test. If smoke is still not drawn into the appliance, inspect the sealing to the fireplace surround. If the sealing is satisfactory but the appliance is installed with the flue restrictor (See section 9.3), adjust the restrictor to the fully open position. To adjust the restrictor, locate the central screw at the rear of the convected air outlet (See figure 14). Loosen the screw and with the screw driver still in the head of the screw, slide the restrictor to the desired position. Secure the restrictor by tightening the screw. Retest the fire. If smoke is still not drawn into the appliance, disconnect the appliance and seek expert advice.

7. If the above test is satisfactory, open all internal connecting doors, hatches, etc., in the room. Keep all doors and windows that open to the outside of the building closed. Recheck for spillage as above. If an extractor fan is installed in the same room as the appliance or a connecting room, check that spillage does not occur with the fan operating and all doors and other openings between the fan and the appliance open.

INSTALLER GUIDE

If the smoke is drawn into the appliance, continue with the installation. **If the test is not satisfactory, disconnect the appliance and advise the customer of the cause of failure.**

8. VERY IMPORTANT: The smoke match tube must remain with the fire. Place the smoke match tube in the recess at the bottom left hand side of the fire. A label will indicate where it is to be placed.

14.2 Flame supervision and spillage monitoring system.

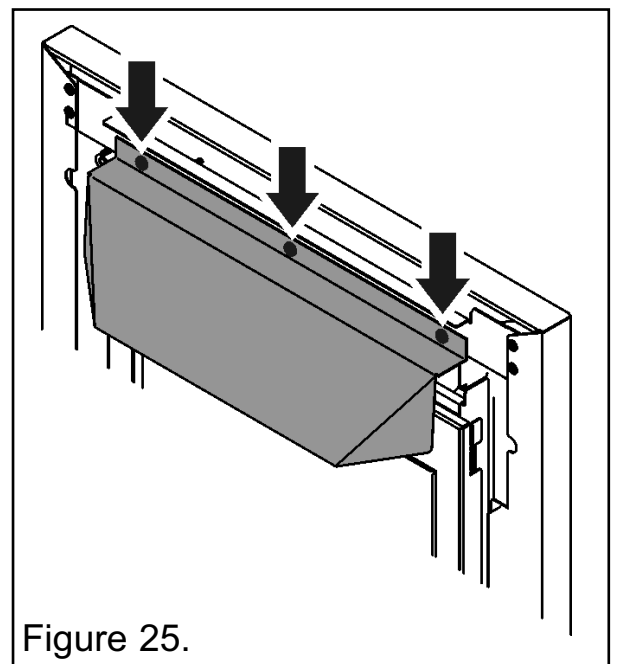
The pilot unit incorporates a system that will automatically shut off the gas supply if the pilot flame goes out or if there is insufficient oxygen due to spillage or lack of ventilation.

Check that the system operates properly as follows;

- Light the appliance. Set at the HIGH position and leave for one minute.
- Turn back to OFF to extinguish the pilot. Note the time when the pilot goes out. Listen for a snap sound at the gas tap. Note the time when the sound is heard. This sound is caused by an electromagnetic valve shutting off the gas supply through the tap. The valve is located in the body of the tap. The valve should operate within 60 seconds of the pilot going out. If the valve does not operate within this time limit do not allow the appliance to be used until the fault has been corrected. **This monitoring system must not be adjusted, bypassed or put out of operation. This monitoring system, or any of its parts, must only be exchanged using Valor Fires authorised parts.**

15. FITTING THE HEAT BAFFLE

1. The fire is supplied with a heat baffle. Locate the heat baffle to the top of the fire as shown in figure 25.



INSTALLER GUIDE

16. FITTING THE FASCIA

1. Unpack the trim set. There may be protective film covering the trims, ensure that this is removed before fitting the trims to the fire.

2. There are eight magnets supplied with the fascia. Fit one magnet to each of the two brackets at the base of the fascia (See figure 26).

3. Keeping the lower magnets clear of the fire, locate the hanging brackets on the rear of the fascia onto the support bar at the top of the fire (See figure 27).

4. Locate the base of the fascia to the fire so that the magnets hold the base in place.

5. The fascia is supplied with a trim set. Each trim piece is held in place using two magnets. Place two magnets approximately 50mm from the ends of each trim piece. The top trim is the shortest trim. Fit the side trims to the sides of the fascia frame (See figure 28). With the side trims in place, fit the top trim to the fascia frame (See figure 28).

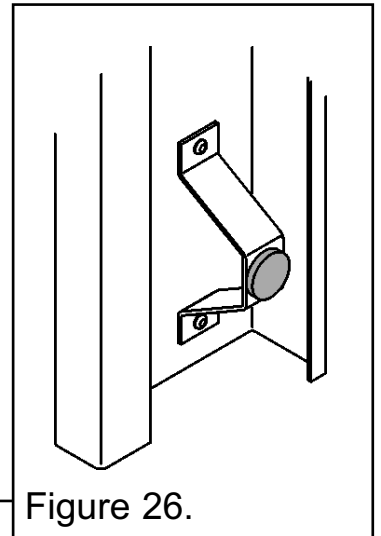


Figure 26.

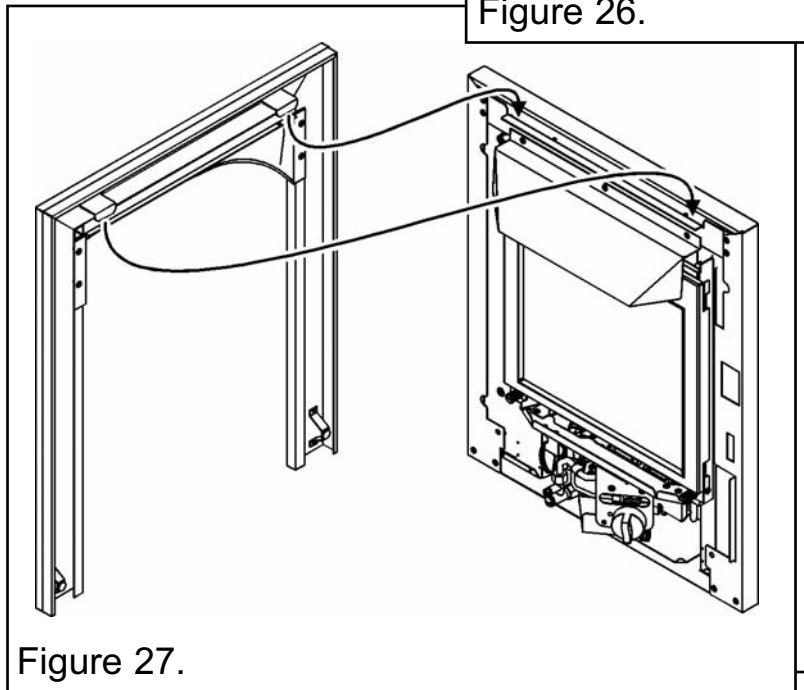


Figure 27.

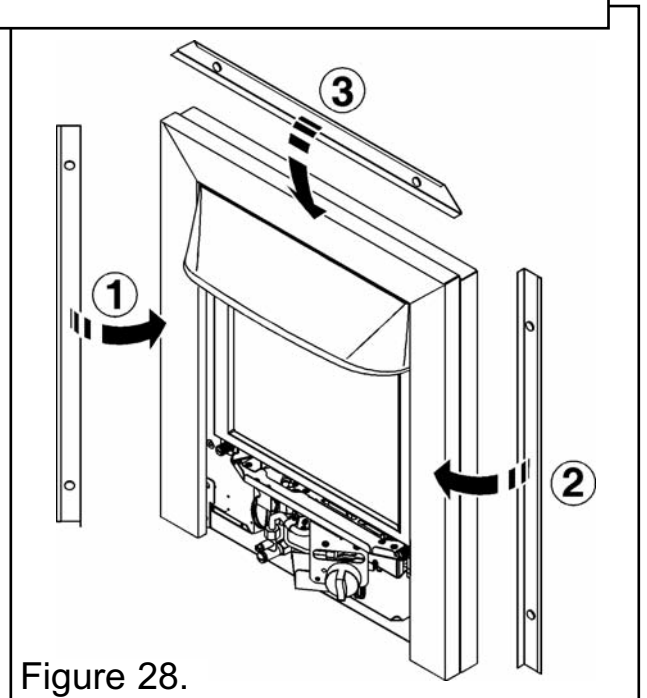


Figure 28.

INSTALLER GUIDE

17. FULL OPERATING CHECKS

17.1 Check the control settings.

With the ceramic fuel effect and window in position the control operation must now be fully rechecked.

- When first turned on from cold, the flames will appear predominantly blue.
- When operating the fire for the first time, some vapours may be given off which could set off smoke alarms in the vicinity. These vapours are quite normal with new appliances. They are totally harmless and will disappear after a few hours use.

17.2 Lighting the burner.

1. Depress the control knob and rotate it SLOWLY anticlockwise to the PILOT / IGN position. A 'click' will be heard as the integral piezo operates. A spark should be seen between the electrode and pilot tip.
2. Turn the control knob clockwise to the OFF position. Repeat this operation until a flame appears at the pilot. There may be a delay before the pilot lights due to air being purged from the system. When a flame appears at the pilot keep the control knob depressed and hold the pilot ignition position for five seconds. When the control knob is released the pilot flame should remain lit.

17.3 Operating the burner.

1. When the pilot burner is operating properly, gradually turn the control knob anti-clockwise to HIGH (Depress the knob slightly to get past the PILOT / IGN position). The main burner should now light. Depress the control knob slightly to release from the HIGH position and turn back (clockwise) to LOW. While turning, the burner flames should gradually become lower but remain alight. Depress the control knob slightly to release from the LOW position and turn back (clockwise) to the PILOT / IGN position. The main burner should extinguish but the pilot should remain alight. Depress the control knob slightly and turn back (clockwise) to OFF. This will extinguish the pilot.

If the above checks are satisfactory, continue with the installation. If not, check the control and ignition circuitry and components as described in the servicing section of this guide.

While cooling the ceramic fuel effect may make some crackling noises. This is quite normal.

18. FIREFRONT CASTING INSTALLATION

1. Place the firefront casting centrally on the hearth in front of the fascia.
2. Place the bottom front cover casting in position below the firefront casting.

INSTALLER GUIDE

19. FINAL REVIEW

1. COMPLETE THE INFORMATION IN THE WARRANTY AND SERVICE SECTION OF THE OWNER GUIDE (See last pages of the OWNER guide).

2. Visually inspect the appliance. Clean off any marks incurred during installation.

3. Advise the customer how to operate the fire.

4. Explain to the customer that the appliance has a flame failure and spillage monitoring system. Point out the explanation of this system shown in the owner guide. Advise that if the fire goes out for any reason, wait at least three minutes before relighting. Stress that if the monitoring system repeatedly shuts off the fire, the appliance should be switched off and a competent person should be consulted.

5. Advise that the fire may give off a slight odour while new. This is quite normal and it will disappear after a few hours of use.

6. Advise that any cleaning must only be carried out when the fire is off and cold.

7. Advise the customer that they should read the owner guide before operating the fire and always follow the advice in the section headed "Cleaning your fire".

8. Advise the customer that the appliance will operate to its maximum potential if the flue is primed during the first 20 – 30 minutes of use. To do this, simply set the control to its highest setting. This will also burn off any carbon deposits that may have formed during previous use.

If using the appliance for long periods it is beneficial to change between settings. This will also help to remove any carbon deposits that may form during use.

9. Recommend that the appliance should be serviced and the chimney inspected by a competent person at least annually.

If the appliance is in premises in the United Kingdom occupied by a tenant, point out that by law a landlord must have any gas appliance, flue and pipework which is situated in a tenant's premises checked for safety at least every 12 months.

10. Advise the customer that the fascia, window and ceramic pieces can be cleaned as described in the owner guide and that the loose ceramic fuel effect pieces must be replaced as described in the instructions supplied with them.

Stress that no extra ceramic fuel effect pieces must be added over and above those supplied with the appliance and that any replacements must only be the authorised spares. Warn that ignoring this advice could cause incomplete clearance of the products of combustion with consequent health hazards.

11. Inform the customer that the Serial number for the appliance is located on the information label, located behind the lower front casting and underneath the burner (See figure 7 on page 58).

12. Hand the literature pack with this guide to the customer.

20. SERVICING & PARTS REPLACEMENT

- Always turn off the gas supply and allow to cool completely before commencing any servicing (The appliance inlet “T” connector incorporates an isolating valve).
- It is recommended that, at least once a year, the appliance is disconnected and the fireplace opening checked and cleared of any debris.
- This product uses fuel effect pieces and a burner compartment wall containing Refractory Ceramic Fibres (RCF), which are man-made vitreous silicate fibres. Excessive exposure to these materials may cause irritation to eyes, skin and respiratory tract. Consequently, it is important to take care when handling these articles to ensure that the release of dust is kept to a minimum. To ensure that the release of fibres from these RCF articles is kept to a minimum, during installation and servicing we recommend that you use a HEPA filtered vacuum to remove any dust and soot accumulated in and around the fire before and after working on the fire. When replacing these articles we recommend that the replaced items are not broken up, but are sealed within a heavy duty polythene bag, clearly labelled as RCF waste. RCF waste is classed as a stable, non-reactive hazardous waste and may be disposed at a landfill licensed to accept such waste. Protective clothing is not required when handling these articles, but we recommend you follow the normal hygiene rules of not smoking, eating or drinking in the work area and always wash your hands before eating or drinking.
- This appliance does not contain any component manufactured from asbestos or asbestos related products.
- Check that the appliance is clean and that soot or debris is not blocking the gaps between the ceramic fuel effect pieces causing an imperfect flame.
- Ensure that the metal gauze around the pilot and injector are clear of lint and dust.
- Check that soot or debris is not impairing the electrode spark or pilot burner.
- Check that soot or debris is not blocking any of the holes in the main burner.
- After servicing, make sure that the ceramic rear wall and ceramic fuel effect pieces are replaced correctly as described in the installer and owner guide supplied with the ceramic fuel effect. The installer and owner guide supplied with the ceramic fuel effect should be placed inside or attached to this guide.
- Always test for gas soundness and spillage after servicing the appliance.

INSTALLER GUIDE

20.1 Checking the aeration setting of the burner.

1. The aeration shutter is factory set. It is important to ensure that the aeration setting is correct (See figure 29).
2. To adjust the aeration setting loosen the two aeration shutter screws, slide the aeration shutter to the desired position and tighten the fixing screws.

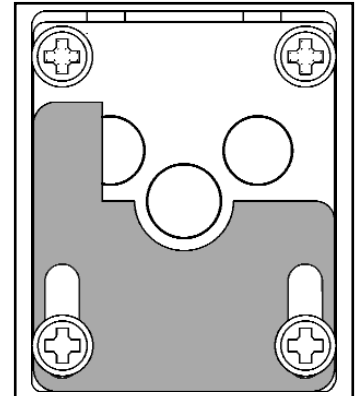


Figure 29.

20.2 To remove the fascia trims.

1. The fascia trims are held in place with magnets. When removing the trims ensure that the upper trim is removed first.
2. Fit in reverse. Note: Each trim piece is held in place using two magnets. Place two magnets approximately 50mm from the rear ends of each trim piece. The top trim is the shortest trim. Fit the side trims to the sides of the fascia frame (See figure 30). With the side trims in place, fit the top trim to the fascia frame (See figure 30).

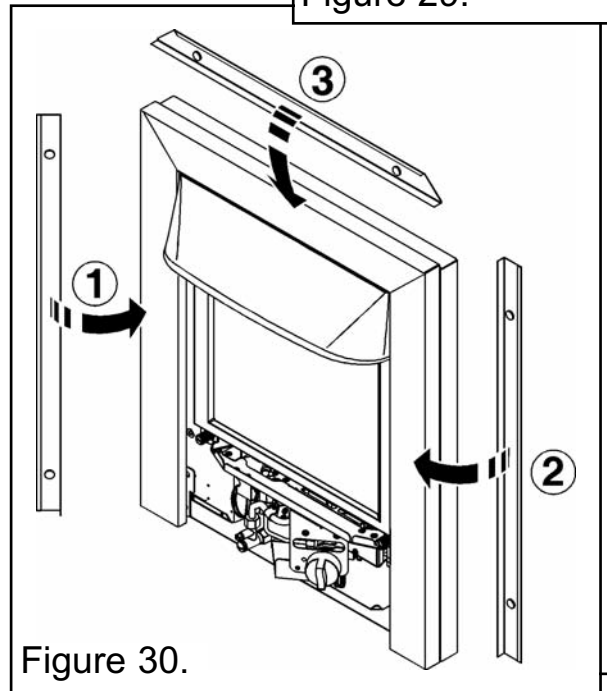


Figure 30.

20.3 To remove the fascia.

1. Remove the firefront casting and the front cover casting.
2. If required, remove the fascia trims (See section 20.2).
3. The base of the fascia is held in place with two magnets. Gently pull the base of the fascia forward to release the magnets.
4. Carefully lift the fascia upward to clear the upper support bracket on the convection box (See figure 31). Pull the fascia clear and place carefully aside.
5. Refit in the reverse order. Make sure that the fascia is properly located over the upper support bracket. See section 16 of this guide for detailed fitting instructions.

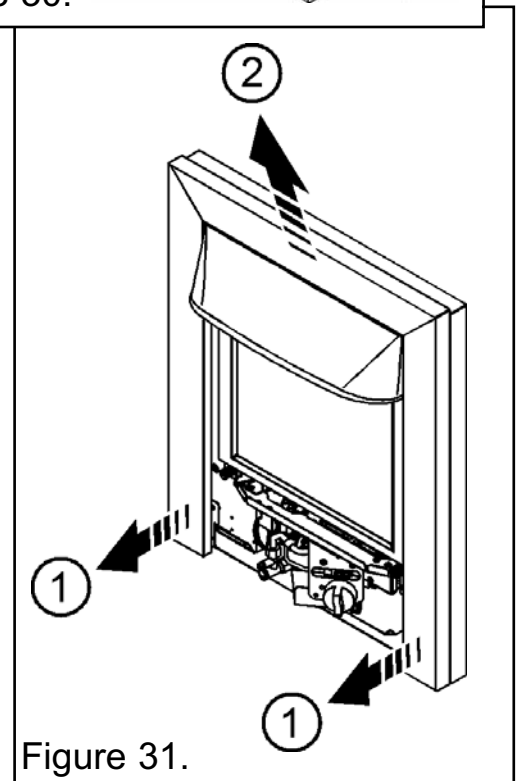


Figure 31.

INSTALLER GUIDE

20.4 To remove the window.

1. Remove the firefront casting and the front cover casting.
2. Detach and remove the window assembly. To do this unscrew and remove the two thumbscrews at the base of the window assembly. Gently lift the window assembly upward and forward (See figure 32). Place the window assembly and thumbscrews in a safe place away from the work area.

20.5 To remove the burner unit.

1. Remove the window (See section 20.4).
2. Remove the loose ceramic fuel effect.
3. Support the inlet 'T' connector to avoid straining the pipework and disconnect the appliance from the inlet 'T' connector.
4. Unscrew and remove the screw that secures the gas tap bracket. This can be found to the bottom left of the control knob (See figure 33).
5. Detach the burner unit from the convection box by removing two screws (See figure 34). Lift the burner unit clear.
6. Replace in the reverse order.

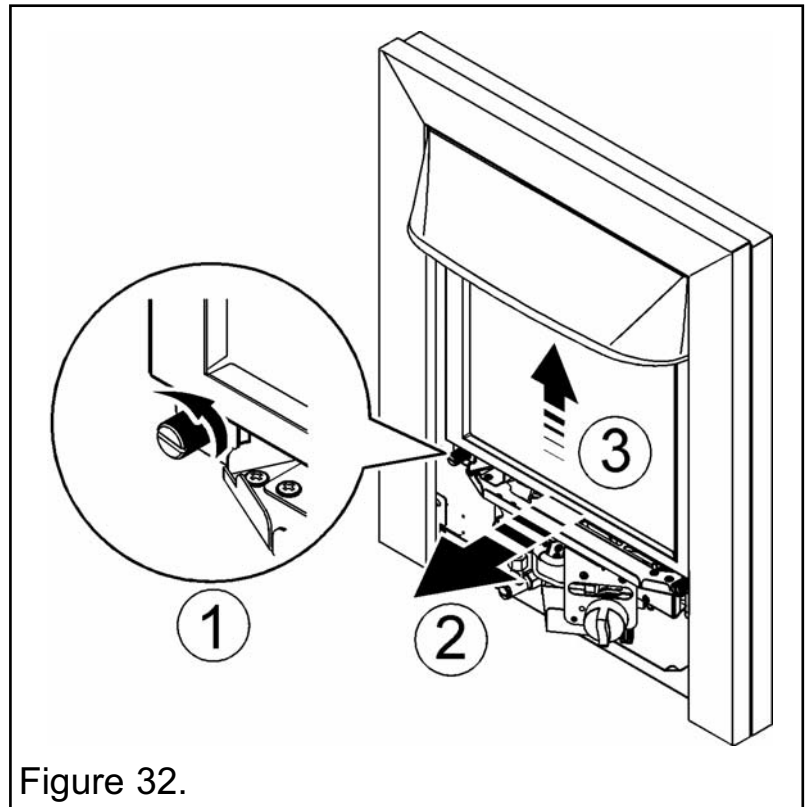


Figure 32.

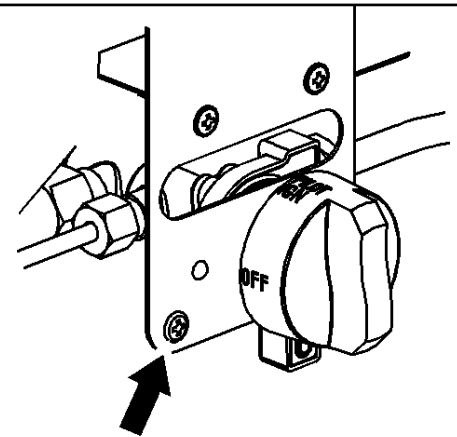


Figure 33.

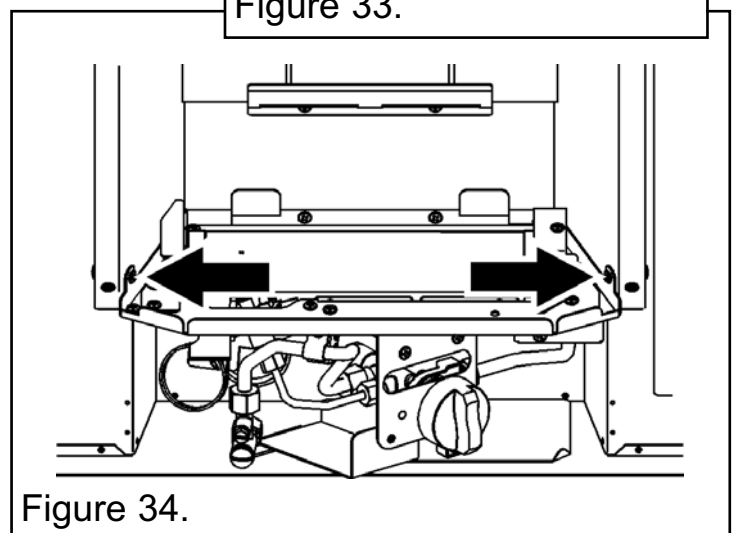


Figure 34.

INSTALLER GUIDE

20.6 To remove the pilot unit.

1. Remove the burner unit (See section 20.5)
2. If lying the burner on its back, ensure that the work surface is suitably protected. This will avoid damage to the work surface.
3. Detach the pilot pipe from the pilot unit.
4. Detach the thermocouple from the gas valve
5. Detach the electrode lead from the rear of the piezo spark generator on the gas valve.
6. Remove the two screws securing the pilot unit (See figure 35).
7. Refit in the reverse order.

Note: The pilot unit is an atmosphere sensing device. It must be replaced as a whole assembly. Its individual components are not separately replaceable.

20.7 To remove the gas valve.

(See figure 36).

1. Remove the burner unit (See section 20.5).
2. If lying the burner on its back, ensure that the work surface is suitably protected. This will avoid damage to the work surface. Turn the burner unit upside down.
3. Detach the pilot pipe from the gas valve.
4. Detach the inlet pipe.
5. Detach the injector pipe.
6. Detach the electrode lead from the rear of the piezo spark generator on the gas valve.
7. Remove the control knob by pulling forward.
8. Remove the thermocouple by unscrewing the thermocouple nut at the gas valve.
9. Remove the hexagonal nut securing the gas valve to the mounting bracket.
10. Remove the gas valve.
11. Refit in the reverse order.

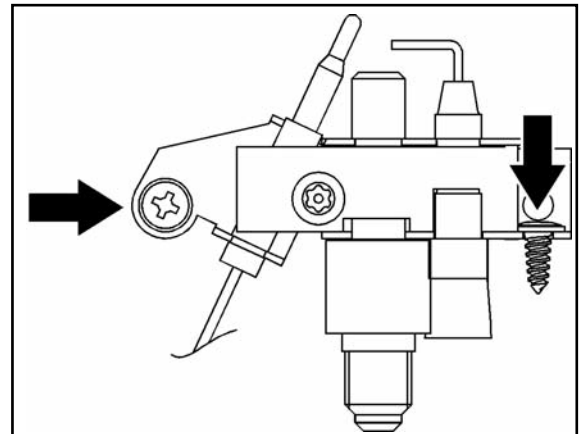


Figure 35.

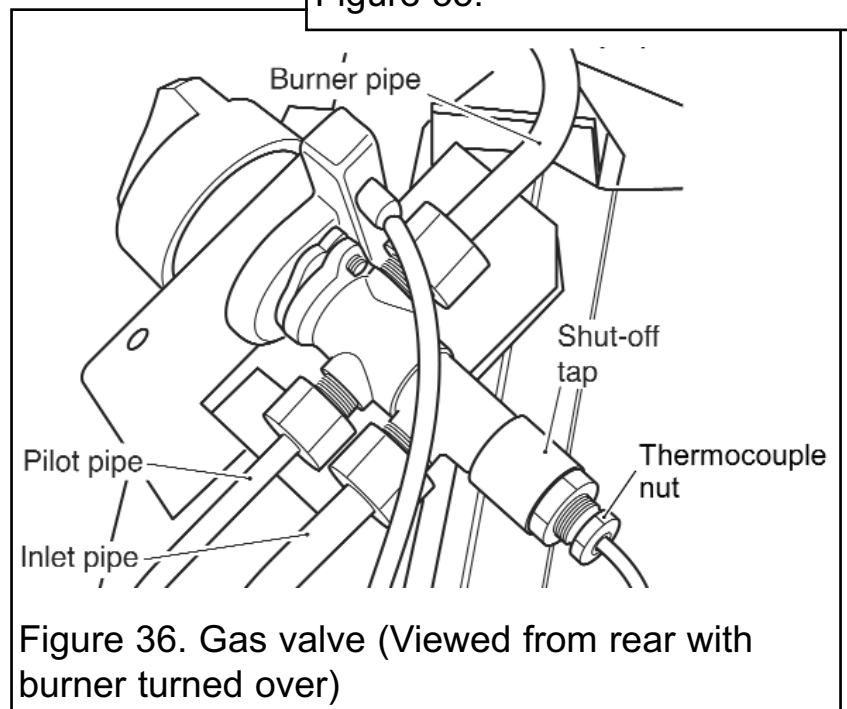


Figure 36. Gas valve (Viewed from rear with burner turned over)

INSTALLER GUIDE

20.8 To remove the burner.

1. Remove the burner unit (See section 20.5).
2. Remove the metal gauze from around the injector. To do this unscrew and remove the screw from the front of the burner tray.
3. Support the elbow injector and unscrew the injector nut.
4. Remove the two screws from the burner clamping plate (See figure 37)
5. Lift the right hand side of the burner, slide it to the right and lift clear.
6. Refit in reverse order.

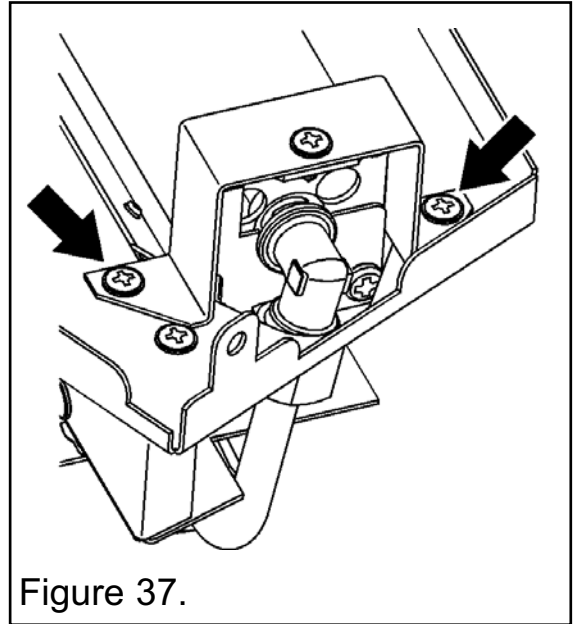


Figure 37.

20.9 To remove the main burner injector.

1. Remove the burner (See section 20.8, paragraphs 1-5).
2. Remove the burner clamping screw (See figure 38)
3. Unscrew the injector from the burner
4. Refit in the reverse order.

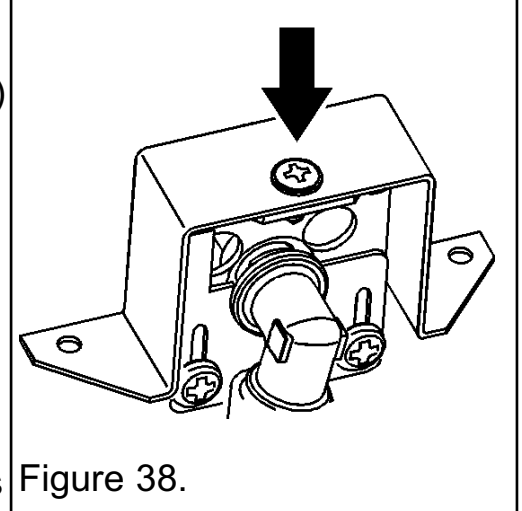


Figure 38.

20.10 To remove the appliance from the fireplace.

1. Remove the burner unit (See section 20.5).
2. If the fire retention is as method 1 remove the fixing screws.

If the fire retention is as method 2 (See section 10.2 of installation guide), slacken the hexagonal adjusters on the cable retainers and unscrew the thumbscrews to release the cables. Unscrew and remove the screws from the base of the convection box.

3. Refit as described in the relevant installation sections. Make sure gas soundness, sealing, spillage test and performance are satisfactory.

OWNER GUIDE

FOR WARRANTY AND SERVICE INFORMATION
SEE PAGES 55 TO 59

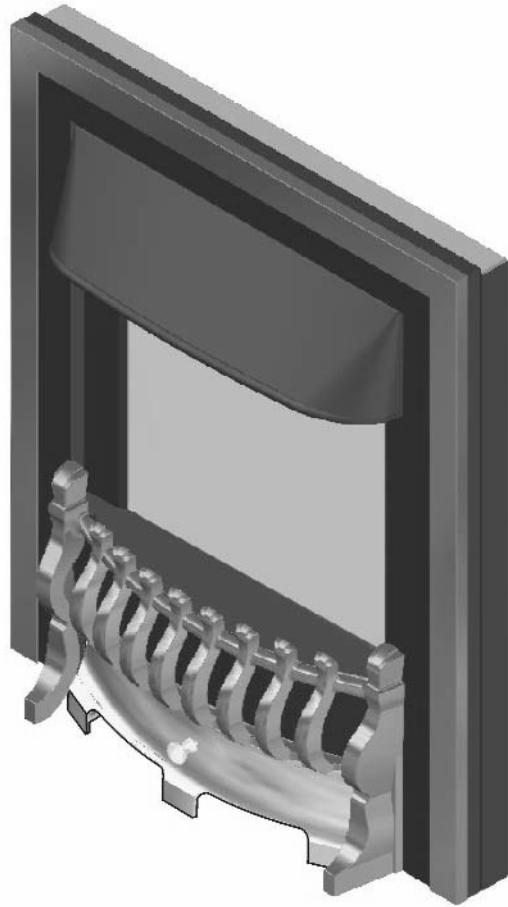
OWNER GUIDE

LIST OF CONTENTS

<u>Section</u>	<u>Page</u>
IMAGE	45
SAFETY	46
APPLIANCE DIMENSIONS	48
GAS CONSUMPTION	47
OPERATING YOUR FIRE	49
The Oxysafe flame sensing and flue blockage safety system.	49
Lighting the pilot.	49
Lighting the burner.	50
Selecting the heat setting.	50
Turning the fire back to pilot setting.	50
Turning the appliance off.	50
Lighting with a taper.	50
HELP AND ADVICE	51
Ignition - Lighting the fire.	51
Window - Glass.	51
Fuel effect - Coal bed.	51
The rear wall effect.	51
The reflective sides and top inside the fire.	52
CLEANING YOUR FIRE	52
Metal Parts.	52
Window cleaning and removal.	52
Ceramic fuel effect and rear wall.	53
Burner.	53
CERAMIC FUEL EFFECT FITTING	54
MAINTENANCE	54
Regular maintenance.	54
Replacement ceramics.	54
WARRANTY AND SERVICE	55

This gas fire is designed to meet the most stringent quality, performance and safety requirements to provide you with many years' trouble-free service.

This guide aims to improve your understanding and appreciation of your gas fire by providing simple and informative instructions to ensure that you benefit from the excellent performance and features it has to offer.



Blenheim fascia

IF YOU SMELL GAS

- **DON'T SMOKE.**
- **EXTINGUISH ALL NAKED FLAMES.**
- **DON'T TURN ELECTRICAL SWITCHES ON OR OFF.**
- **TURN OFF THE GAS SUPPLY AT THE METER.**
- **OPEN DOORS AND WINDOWS TO GET RID OF THE GAS.**
- **IMMEDIATELY CALL THE GAS EMERGENCY SERVICE FROM A NEIGHBOURS PHONE - SEE YOUR LOCAL TELEPHONE DIRECTORY.**

Do have the fire installed by a competent person. In the United Kingdom, installation must be in accordance with the latest edition of the Gas Safety (installation & use) Regulations. In the Republic of Ireland, installation must be in accordance with all national and local regulations in force.

Do have the chimney swept prior to installation if it was previously used for solid fuel.

Do have the fire installed in accordance with the installer guide.

Do provide the minimum height from the base of the fireplace opening to the underside of any shelf made from wood or other combustible materials as detailed below:

- *For a shelf up to 150mm deep: Minimum height = 700mm.*
- *For a shelf deeper than 150mm: 700mm + 12.5mm for every 25mm depth over 150mm (See Figure 1).*

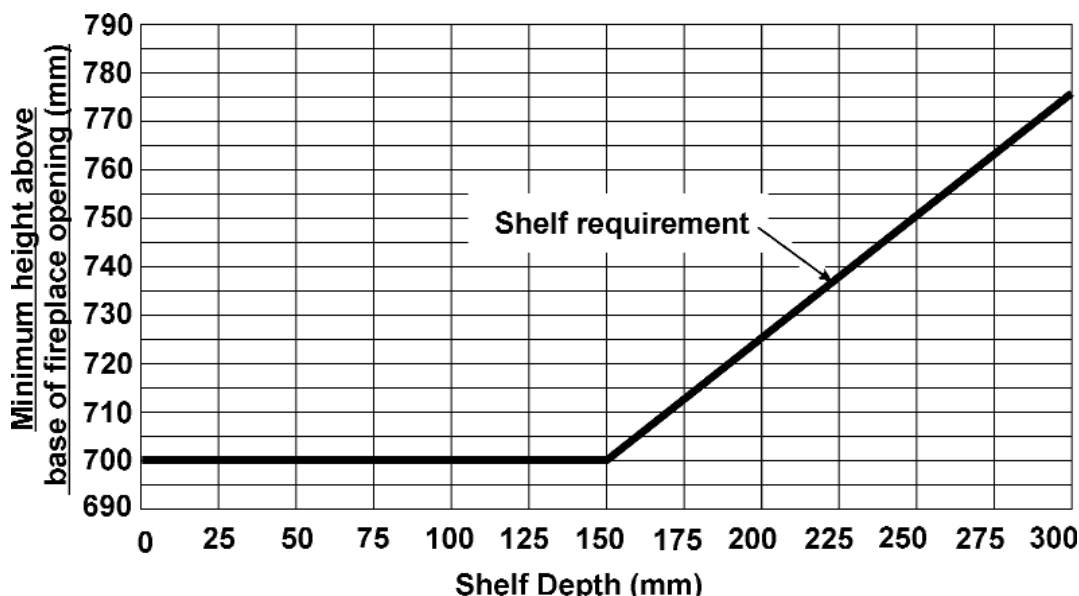


Figure 1. Combustible shelf clearances

Do always use a fireguard complying with BS 8423 for the protection of young children, the elderly or infirm.

Do wait three minutes before attempting to relight if the fire is switched off or the flames are extinguished for any reason (Your fire is fitted with a safety device that will

OWNER GUIDE

automatically shut off the gas supply to the fire, if for any reason, the flame goes out).
Do get advice about the suitability of any wall covering near your fire. Soft wall coverings (e.g. embossed vinyl, etc.) which have a raised pattern are easily affected by heat. They may, therefore, scorch or become discoloured when close to a heating appliance. Please bear this in mind whenever you are considering redecorating.
Do provide a minimum side clearance as detailed in figure 2. Please bear this in mind if ever you are altering the room.

Don't hang clothing, towels or any other fabrics over the fire.

Don't put more ceramic fuel effect pieces on the fire than the number given in this guide or use any ceramic fuel effect pieces other than those authorised for this fire. This could cause incomplete combustion and subsequent safety hazard.

Don't put paper or other materials onto your fire.

Don't use the fire with damaged base ceramics.

Don't place any combustible material (rugs, carpet, plastic tiles, etc.) on the hearth.

Don't attempt to clean or service the fire until it has been switched off and allowed to cool completely.

GAS CONSUMPTION

Gross figures

Has a maximum natural gas input of 3.9kW

Has a maximum natural gas output of 3.1kW

Has a minimum natural gas input of 2.0kW

Has a minimum natural gas output of 1.44kW

Net figures

Has a maximum natural gas input of 3.51kW

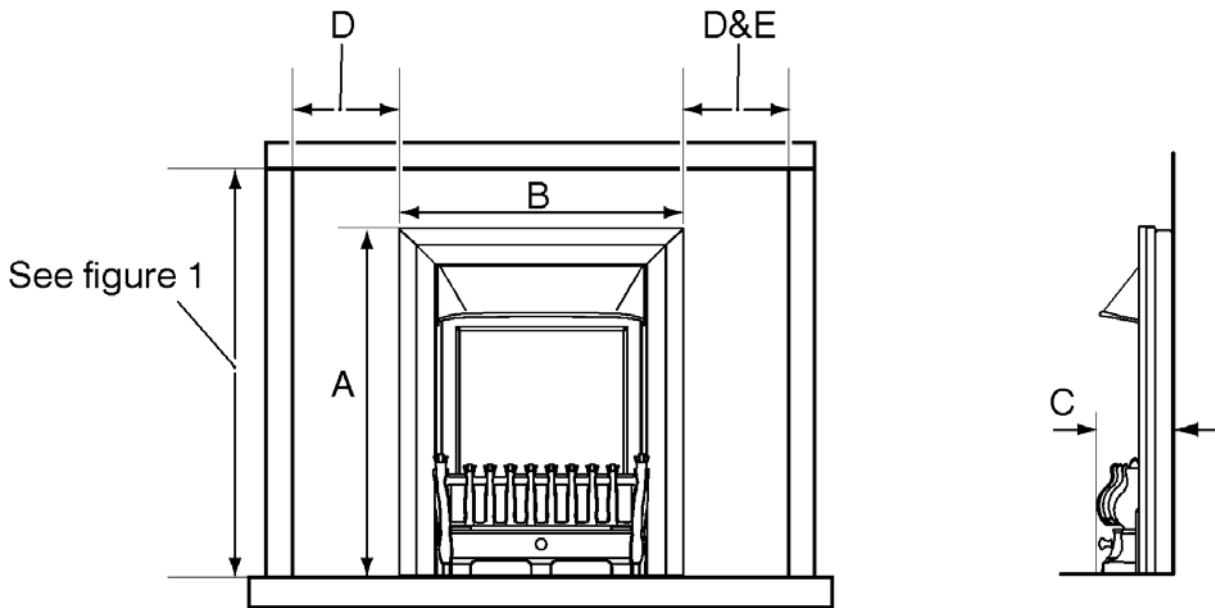
Has a maximum natural gas output of 3.1kW

Has a minimum natural gas input of 1.8kW

Has a minimum natural gas output of 1.44kW

OWNER GUIDE

APPLIANCE DIMENSIONS



Key	Description	Model
		Homeflame Blenheim
A	Height (mm)	612
B	Width (mm)	505
C	Depth into room (mm)	131
D	Minimum mandatory clearance to combustible surfaces projecting beyond the front of appliance (mm).	100
E	Recommended clearance to non-combustible surfaces for access purposes (mm).	50

Figure 2. (Dimensions are subject to manufacturing tolerances)

OWNER GUIDE

OPERATING YOUR FIRE

PLEASE NOTE

When operating your fire for the first time, some vapours may be given off which may cause a slight odour and could possibly set off any smoke alarms in the immediate vicinity. These vapours are quite normal with new appliances. They are totally harmless and will disappear after a few hours use.

Valor Fires considers all surfaces as working surfaces (which means they get hot) with the exception of those areas intended to be touched by the owner during normal use.

The Oxysafe flame sensing and flue blockage safety system.

For your safety, this appliance is fitted with a flue blockage safety device which will shut down the appliance in the event of abnormal flue conditions. **This device is NOT a substitute for an independently mounted Carbon Monoxide detector.**

The device will also automatically shut off the gas supply to the fire if the pilot flame goes out due to lack of oxygen or for any other reason.

If this device starts to repeatedly shut off the gas, get expert advice.

This device incorporates a probe which senses that the heat from the pilot flame is correct. If this probe is cool, the device will prevent any gas flow unless the control knob is kept depressed at the ignition position.

If, for any reason, the flames go out when the fire is hot or if the fire is turned off when hot, **always wait at least three minutes before attempting to relight.**

Lighting the pilot.

This fire is controlled by a 4-position gas tap mounted on the front leg of the appliance (See figure 3). In addition to the OFF position there is a PILOT / IGN (Ignition) and 2 heat control settings.

- Depress the control knob and turn SLOWLY anticlockwise towards the PILOT / IGN position. A spark should be generated at the pilot while turning. The spark should ignite the pilot. The pilot flame can be seen through a small gap in the lower front of the fuel effect bed (See figure 4).
- Keep the button depressed at the PILOT / IGN position for a further ten seconds. This will prevent the flame-sensing device from shutting off the gas while its probe warms up.
- If the pilot does not ignite instantly, repeat procedure. **If after 10 seconds pilot ignition has not**

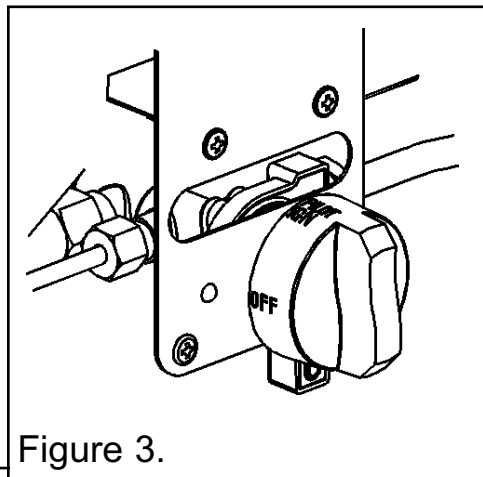


Figure 3.

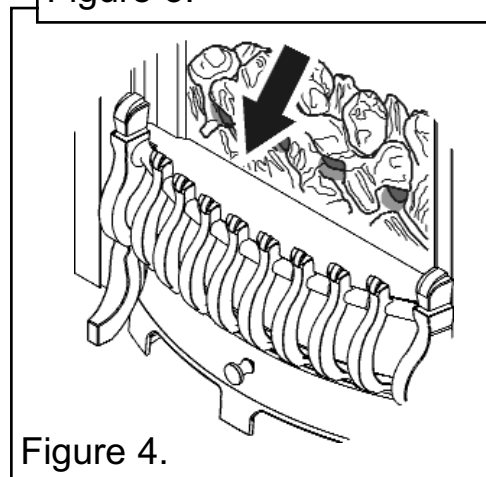


Figure 4.

OWNER GUIDE

occurred, turn the control knob back to the OFF position, wait for 3 minutes and then repeat the ignition procedure.

Lighting the burner.

- Once the pilot light is established, the main burner can be lit by depressing and turning the control knob anticlockwise to the HIGH position.

Selecting the heat setting.

- In order to change from one setting to another depress the control knob slightly and turn the knob to the required position. Any setting from LOW to HIGH may be selected.

Note: The appliance will operate to its maximum potential if the flue is primed during the first 20-30 minutes of operation. To do this, simply operate the appliance at its "High" setting. This will also burn off any carbon deposits that may have formed during previous operations. If operating the appliance for long periods it is beneficial to change between settings. This will help to remove any carbon deposits that may form during operation.

Turning the fire back to pilot setting.

- Depress the control knob and turn clockwise until the PILOT / IGN setting is reached.

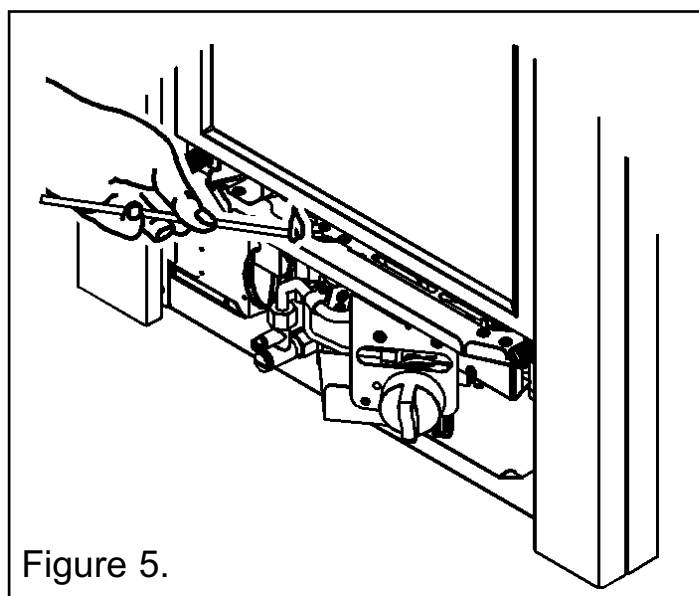
Turning the appliance off.

- Make sure that the control knob is in the PILOT / IGN position. Depress the control knob and turn clockwise to the OFF position.
- **Wait at least three minutes before relighting.**

Lighting with a taper.

(See figure 5).

- In the unlikely event of failure of the ignition spark, the pilot can be lit by a taper or long spill. With the lower front casting and firefront casting removed, insert the taper or spill under the glass to the pilot tip.
- Follow the section 'Lighting the pilot' as described previously. **DO NOT ALLOW WAX OR OTHER DEPOSITS TO DROP ONTO THE PILOT.**



Ignition - Lighting the fire.

When turning the knob to ignite the fire ensure that it is turned SLOWLY. Turning the knob quickly does not allow enough gas flow to light the pilot or burner.

Window - Glass.

Has the window formed white lines or appears milky or grey?

This is normal and is simply caused by the small amounts of condensation / water that form on the rear of the window during the first few minutes of operation. The condensation / water is no cause for concern and will disappear over the first few minutes of the fire being used. The window on the fire has been designed so that you can remove it for cleaning. Details on how to remove and clean the window can be found in the 'CLEANING YOUR FIRE' section of the owner guide.

Fuel effect - Coal bed.

When cleaning the ceramic fuel effect you may see surface cracks in the base coal. It is normal for the base coal to have surface cracks and this will not affect the performance of your fire in any way.

The fuel effect will lighten in colour with use and the areas where flames touch may develop brown edges. This is normal and is no cause for concern.

Does your fire have any signs of the following?

1. The fuel effect has areas that are black in colour (Much darker than the surrounding areas).
2. The fuel effect has areas that are black in colour and the flames are unusually long and dark yellow / orange.
3. Black dust / black particles on the hearth at the base of the fire.

Any of the above can be signs of soot forming in the fire. Please remember that we recommend the fire be serviced annually (Once a year) by a Gas Safe Register engineer (Corgi or Gas Safe Register outside of the UK). If your fire is over 12 months old we strongly recommend that it is serviced.

The rear wall effect.

The rear wall is made from the same material as the fuel effect. As with the fuel effect, the rear wall will lighten in colour with use and the areas where flames touch may develop brown edges. To enhance the appearance of the fire and to produce more glow the flames have been designed to touch the rear wall. Where they touch light areas will form. This is normal and is no cause for concern.

OWNER GUIDE

The reflective sides and top inside the fire.

To improve the appearance of the flames the fire uses reflective surfaces around the fuel effect. These surfaces become very hot and will discolour. The top of the fire above the fuel effect will become quite dark. This is normal and no cause for concern.

CLEANING YOUR FIRE

To maintain the high performance and quality finish of your Valor Fires appliance, please follow these guidelines:

- Before attempting to clean the fire, please remember to turn off the fire and wait for the appliance to cool completely. The fire will retain heat for some time before cleaning can begin.
- If any pieces of debris are found in the firebox, have the chimney inspected before further use.

Metal Parts.

Please be aware that the top and sides that are close to the fuel effect will discolour or darken. This is normal and no need for concern. This discolouration will not clean away.

- Clean the metal parts with a slightly damp, lint free non-abrasive cloth and then dry.
- Do **not** use abrasive cleaners, as these will scratch the fire surface.

Window cleaning and removal.

To clean the front of the window.

The front of the window can be cleaned using a slightly damp, lint free non-abrasive cloth and then dry. Do **not** use abrasive cleaners, as these may scratch the glass surface.

To clean the inside of the window.

- Before the window can be detached, the firefront casting will have to be removed. Remove the lower front cover section of the casting.
- Lift the firefront casting clear of the fire.
- Unscrew and remove the two thumbscrews from the lower corners of the window.
- Gently pull the window forward and upward clear of the fire.
- Any stains on the glass can be

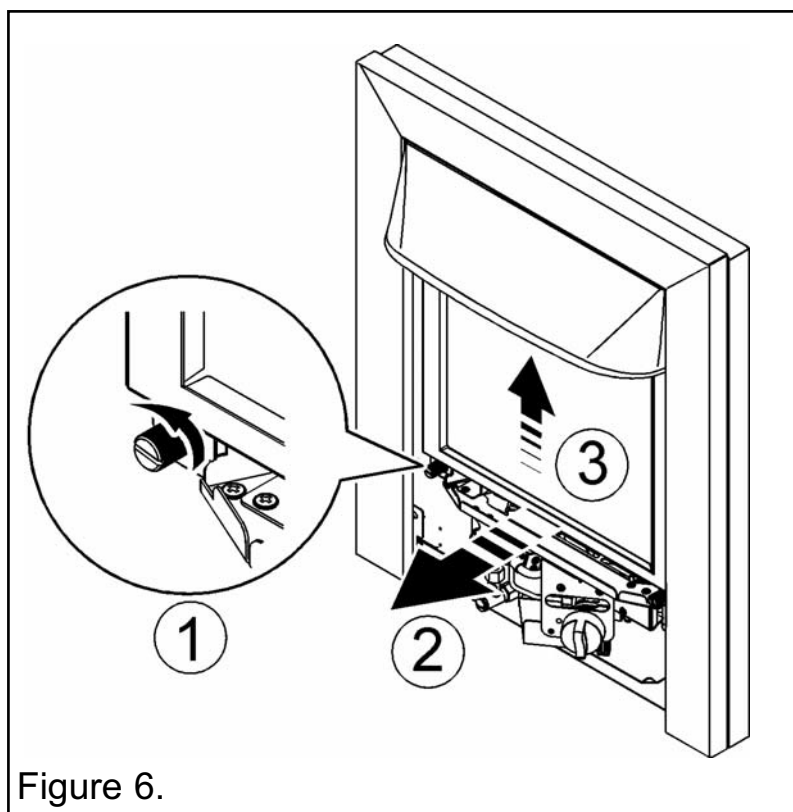


Figure 6.

OWNER GUIDE

removed with a non-abrasive cleaner such as a ceramic hob cleaner. Never use abrasive cleaners. Clean the window carefully in accordance with the instructions supplied with the cleaner.

- Replace the window making sure that the seal around the frame is not damaged or misplaced. Locate the channel at the top of the window over the top of the firebox opening.
- Fit the two thumbscrews. Tighten sufficiently to seal to the firebox.
- Replace the firefront casting and lower front cover casting.

Ceramic fuel effect and rear wall.

● **This product uses fuel effect pieces and a burner compartment wall containing Refractory Ceramic Fibres (RCF), which are man-made vitreous silicate fibres. Excessive exposure to this material may cause irritation to eyes, skin and respiratory tract. Consequently, it is important to take care when handling these articles to ensure that the release of dust is kept to a minimum.**

- Light coatings of soot will usually be burnt off during the normal operation of the fire.
- Should any soot accumulation become excessive, the fuel effect pieces and rear wall should be removed from the fire for cleaning.
- Cleaning should be carried out in a well ventilated area or in the open air by gently brushing with the pieces held away from your face so that you avoid inhaling the dust.
- Remove the window as in the previous section. We suggest that you remove the ceramic fuel effect pieces in the reverse order to that shown in the guide supplied with the ceramics. The installer should have attached this or placed it inside the installer and owner guide.

When cleaning the ceramic fuel effect you may see surface cracks in the base coal. It is normal for the base coal to have surface cracks and this will not affect the performance of your fire in any way.

Burner.

- The burner surface can be carefully cleaned to remove any loose particles after taking off the ceramic fuel effect pieces. Make sure that no particles are pushed into the burner holes.

OWNER GUIDE

CERAMIC FUEL EFFECT FITTING

The installer and owner guide for the ceramic fuel effect is separate from this guide. The installer may have attached it to this guide or placed it inside. It is important that the installer and owner guide for the ceramic fuel effect is followed correctly. If replacing the ceramic fuel effect, where a new guide is supplied, follow the installer and owner guide supplied with the replacement fuel effect.

Keep the replacement installer and owner guide with this owner guide for future reference.

MAINTENANCE

Regular maintenance.

In order to achieve and maintain high levels of personal safety and performance efficiency, it is essential that the opening at the back of the fire and the flue are kept clear of any form of obstruction. It is possible that deposits of mortar or soot could fall and accumulate causing the flue to be blocked or restricted and so preventing proper clearance of dangerous exhaust fumes.

In the United Kingdom it is the law that a landlord must have any gas appliance, flue and pipework which is situated in a tenant's premises checked for safety at least every twelve months by a competent person (In the UK a GAS SAFE REGISTER engineer, Outside of the UK a CORGI or GAS SAFE REGISTER engineer).

We recommend that all gas appliances and their flues, wherever situated, are checked annually.

- When fitting replacement parts it is important that only approved parts are used for maximum safety.

Replacement ceramics.

If you wish to replace any of the ceramic fuel effect pieces, spare parts are available nationwide via the '**interpart** stockist network'. For your local stockist consult Yellow pages under Central Heating.

Standard Warranty Terms & Conditions

The warranty is for 12 months subject to contract.

In the United Kingdom servicing can be carried out either by a **heateam** service engineer or a **GAS SAFE REGISTER** engineer. Outside of the United Kingdom servicing can be carried out either by a **CORGI** or **GAS SAFE REGISTER** engineer. You must register your fire with **heateam**, the service division of Baxi Heating UK Limited, either by completing and returning the registration card or calling our free telephone registration line on **0800 032 72 44**.

It is also a requirement of the warranty that the fire has an annual service (every 12 months) in accordance with the installation and servicing instructions, performed by a **GAS SAFE REGISTER** engineer, (**CORGI** or **GAS SAFE REGISTER** outside of UK), please call on **0844 8711 525**.

Our promise to you

If you experience a fault with your new fire, we aim to provide a safe and high quality repair service supported by our dedicated national network of highly skilled engineers. If your installer can't resolve the problem for you, we will do everything we can to get an engineer out to you as quickly as possible. Nothing in this warranty will affect your statutory rights.

What you need to do if you experience a problem with the operation of the fire:

- You should always contact your installer first, because the cause of the fault may not be related to the fire.
- If your installer confirms that the fault is with the fire and they can't repair it, our friendly customer service team is on hand to help.
- Simply call our service division **heateam** on **0844 8711 565** to book an engineer visit or for any general advice that you may need. Our contact centre is open Monday to Friday 8am – 6pm, weekends and Bank Holidays 8.30am – 2pm, excluding Christmas Day and New Years day.

OWNER GUIDE

When calling **heateam**, it would be helpful if you could have the following information to hand:-

1. Fire serial number (Located on the information label - See figure 7 on page 58)*
2. Date of installation.*
3. Your installer name and address details.*
4. Fire make and model number. *
5. Proof of purchase (if you do not have the fire serial number)

***Note: Details 1 – 4 should be recorded on pages 58 & 59 at the end of this guide.**

What this warranty covers

Free of charge repair or replacement of components found to be of faulty manufacture.

Free of charge replacement of the complete unit providing the failure is related to a manufacturing fault that cannot be repaired or is uneconomic to repair.

What this warranty does not cover

Repairs to fires which haven't been installed and commissioned properly and as set out in the installation instructions.

Faults caused by inadequate supply of gas or electricity (where applicable).

Reimbursement of any third party repair or replacement costs that we haven't been told about or agreed with you in advance.

Compensation or consequential losses (e.g. loss of earnings, business losses, stress and inconvenience) arising from a production breakdown, including repair delays caused by factors outside our reasonable control.

OWNER GUIDE

OWNER GUIDE

To be completed by the installer:

Installer Details (Block Capitals)

Installer Name	
Gas Safe Register or Corgi Registration Number.	
Company Name.	
Company Address	
Company Telephone number	
Company Fax number	

Where to find the information label.

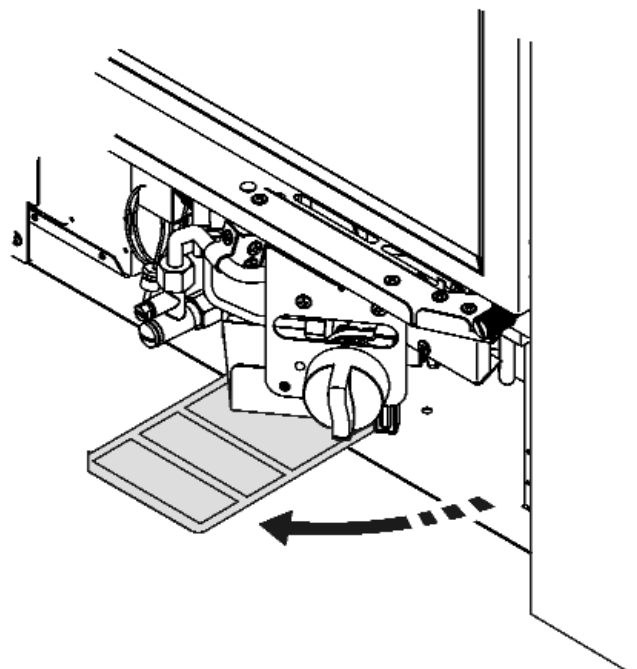
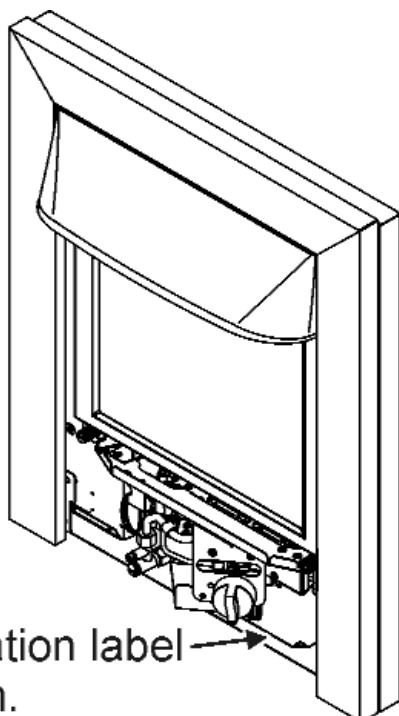


Figure 7.

OWNER GUIDE

Model

Serial number (Can be found on information label - See figure 7)

SERIAL NUMBER LABEL
TO BE AFFIXED HERE

A LABEL CONTAINING THE SERIAL NUMBER MAY HAVE BEEN PLACED INSIDE THIS BOX.

Fascia name (Block Capitals)

Brand (Please tick)

Baxi

Valor

Wonderfire Other.....

Date of Installation

D D M M Y Y

VALOR FIRES