

Wonderfire

I N S T A L L E R G U I D E

For

MODEL BR265

OVERTURE 

Inset Decorative Gas Fire

(GC No. 32-032-16)

Please keep in a safe place for future reference

Please leave this Installer Guide with the user

As supplied, this appliance is for use with natural gas (G20)
When converted using conversion kit no. 591149 this appliance is for use with propane gas (G31)
This appliance is for use in the United Kingdom (GB) and the Republic of Ireland (IE) only.

C U S T O M E R C A R E

This Installer Guide gives sufficient details to enable the appliance to be installed and maintained. If further information is required, our Wonderfire service department will be pleased to help.

Please phone us on 0121 386 6203.

In the Republic of Ireland call 353 183 75114.

1. APPLIANCE DATA

This product uses fuel effect pieces, burner compartment walls and gaskets containing Refractory Ceramic Fibres (RCF), which are man-made vitreous silicate fibres. Excessive exposure to these materials may cause temporary irritation to eyes, skin and respiratory tract. Consequently, it makes sense to take care when handling these articles to ensure that the release of dust is kept to a minimum. To ensure that the release of fibres from these RCF articles is kept to a minimum, during installation and servicing we recommend that you use a HEPA filtered vacuum to remove any dust and soot accumulated in and around the fire before and after working on the fire. When replacing these articles we recommend that the replaced items are not broken up, but are sealed within a heavy duty polythene bag, clearly labelled as RCF waste. This is not classified as “hazardous waste” and may be disposed of at a tipping site licensed for the disposal of industrial waste. Protective clothing is not required when handling these articles, but we recommend you follow the normal hygiene rules of not smoking, eating or drinking in the work area and always wash your hands before eating or drinking. This appliance does not contain any component manufactured from asbestos or asbestos related products. The appliance data label is on a plastic tie below the burner and is visible when the bottom front cover is removed.

Gas	Natural (G20)	Propane (G31)*
Inlet Pressure	20mbar	37mbar
Input - Max. (Gross)	6.0kW (20,500Btu/h)	6.1kW (20,800Btu/h)
Input - Min. (Gross)	2.2kW (7500Btu/h)	3.6kW (12280Btu/h)
Output - Max.	3.5kW (11,900Btu/h)	3.6kW (12,280Btu/h)
Output - Min	1.1kW (3750Btu/h)	1.8kW (6140Btu/h)
Burner Test Pressure (Cold)	17.0±0.75mbar (6.8±0.3in w.g.)	35.6±0.75mbar (14.3±0.3in w.g.)
Gas Connection	8mm pipe	8mm pipe
Burner Injector	Bray Cat. 18 Size 360	Bray Cat. 18 Size 170
Pilot & Atmosphere Sensing Device	SIT Ref. OP9030	SIT Ref. OPLPG9222
Ignition	Piezo Electric. Integral with Gas Tap	Piezo Electric. Integral with Gas Tap
Aeration	Non-adjustable	Non-adjustable

* When converted using Kit 591149

2. GENERAL INSTALLATION REQUIREMENTS

2.1 For the user’s protection, in the United Kingdom it is the law that all gas appliances are installed by competent persons in accordance with the current edition of the Gas Safety (Installation and Use) Regulations. Failure to install the appliance correctly could lead to prosecution. The Council for the Registration of Gas Installers (CORGI) requires its members to work to recognised standards.

The Confederation for the Registration of Gas Installers (CORGI) requires its members to work to recognised standards.

The installation must be in accordance with these instructions. In the United Kingdom the installation must also be in accordance with:

- a) All the relevant parts of local regulations.
- b) The current edition of the Building Regulations issued by the Department of the Environment and the Welsh Office or the Building Standards (Scotland) (Consolidation) Regulations issued by the Scottish Development Department.
- c) All relevant codes of practice.

d) The relevant parts of the current editions of the following British Standards:-

- BS 715
- BS 1251
- BS 1289 Part 1
- BS 1289 Part 2
- BS 4543 Part 2
- BS 5440 Part 1
- BS 5440 Part 2
- BS 5871 Part 2
- BS 6461 Part 1
- BS 6891
- BS 8303

In the republic of Ireland the installation must also conform to

- a) The relevant parts of: The current edition of: IS 813
- b) All relevant national and local rules in force.

2.2 If the appliance is intended to be installed to a chimney which was previously used for solid fuel, the flue must be swept clean prior to installation. All flues should be inspected for soundness and freedom from blockages

2.3 The minimum effective height of the flue must be 3m.

2.4 Any chimney dampers or restrictors should be removed. If removal is not possible they must be fixed in the open position.

2.5 In the United Kingdom (GB) no special ventilation bricks or vents are required in the room for this appliance. In the Republic of Ireland (IE), permanent ventilation must comply with the regulations currently in force.

2.6 Note that soft wall coverings (e.g. embossed vinyl, etc.) are easily affected by heat. They may scorch or become discoloured when close to a heating appliance. Please bear this in mind when installing.

2.7 A slotted firefront with minimum free area as shown in figure 1 must always be used.

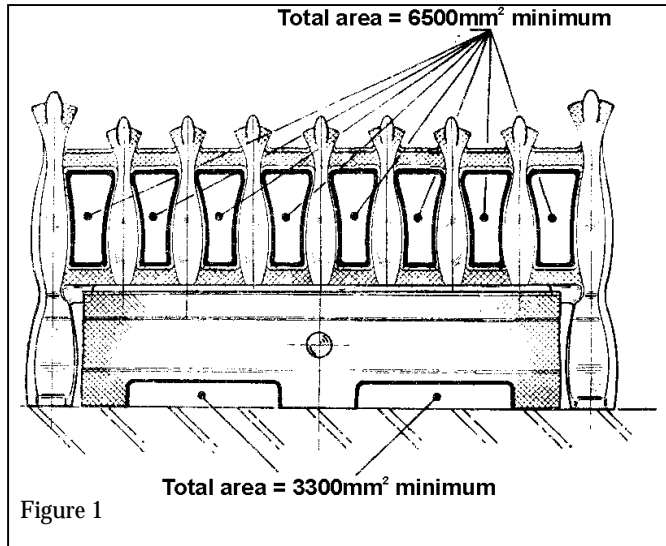


Figure 1

2.8 The minimum allowable distance to a corner wall or other combustible projection from the outside edge of the front surround at either side is 100mm.

2.9 The minimum clearance from the top surface of the appliance surround to the underside of any shelf made of combustible materials is as follows:-

For a shelf up to 150mm deep

Minimum clearance = 200mm.

For a shelf deeper than 150mm

Minimum clearance = 200mm + 12.5mm for every 25mm depth over 150mm.

2.10 The appliance must not be installed in any room, which contains a bath, or shower or where steam is regularly present.

2.11 In the United Kingdom, as supplied, this appliance can be installed in the following situations: -

2.11.1 A masonry chimney with a minimum diameter of 175mm free from obstruction. Note the flat surface area requirement (Figure 2). A masonry chimney having a correctly installed flue liner to BS715 and with a minimum flue diameter of 125mm is also acceptable. Chair brick removal may not be required providing at least 50mm clearance is available from the flue outlet to any fireplace component.

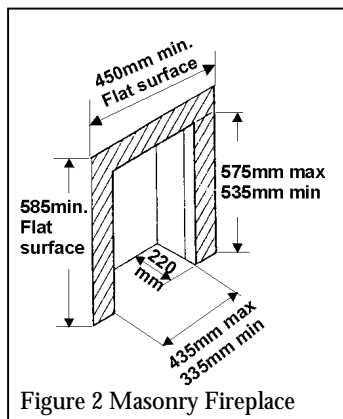


Figure 2 Masonry Fireplace

2.11.2 To a fireplace that has a precast concrete or clay flue block system conforming to BS1289. The appliance is suitable for installations conforming to older versions of BS1289 as well as the current edition. The flue blocks must have a minimum width not less than 63mm and a cross-sectional area not less than 13,000mm². Older editions of BS1289 required a cross-sectional area of 13,000mm². The current revision of the standard requires 16,500mm². This appliance is suitable in both cases. The total depth of the opening measured from the finished front of the fireplace (Including plaster, surround etc) must be **not less than 158mm**.

The current version of BS1289 recommends that there should be an air space or insulation between the flue blocks and the plaster because heat transfer may cause cracking on directly plastered flues. However, generally this appliance is suitable for installations under all circumstances unless there is a history of cracking problems.

Remember that faults such as cracking may be caused by poorly built and restrictive flues, e.g. mortar extrusions, too many bends, flue heights below three metres, restrictive terminations, etc.

2.11.3 A twin wall metal flue system conforming to BS715, the flue diameter being a minimum of 125mm (See figure 4) with a minimum internal diameter of 190mm. Incombustible mineral wool insulation of not less than 50mm thickness must be applied to the top surface of the system firebox and must stand on a non-combustible base of 25mm thickness.

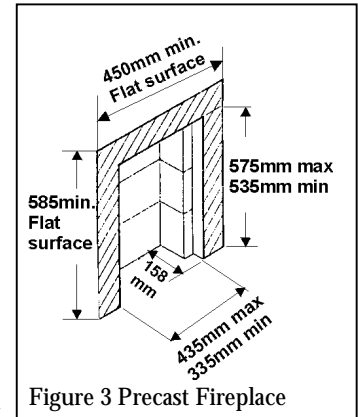


Figure 3 Precast Fireplace

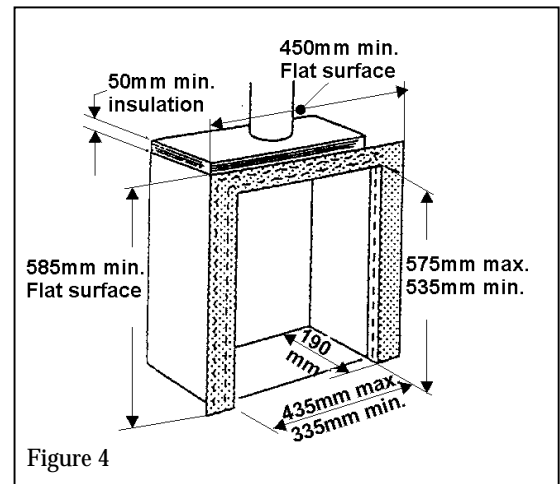


Figure 4

2.12 The appliance must be mounted behind a non-combustible hearth with minimum dimensions as figure 5. (n.b conglomerate marble hearths are considered as non-combustible). The appliance can be fitted to a purpose made proprietary class "O" 150°C surround. The hearth material must be at least 12mm thick. The periphery of the hearth (or fender) should be at least 50mm above floor level to discourage the placing of carpets or rugs over it.

The appliance must not stand on combustible materials or carpets.

The appliance must not be fitted directly against a combustible wall. If the appliance is to be fitted against a wall with combustible cladding, the cladding must be removed from the area covered by the outer surround. We suggest that the actual surround is used as a template to mark the area for combustible cladding removal.

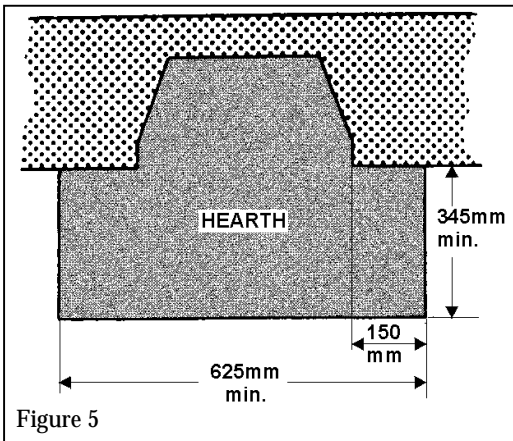


Figure 5

2.13 The flue must not be used for any other appliance or application.

2.14 If the fireplace opening is of underfloor draught type, it must be sealed to stop any draughts.

2.15 An extractor fan may only be used in the same room as this appliance, or in any area from which ventilation for the appliance is taken, if it does not affect the safe performance of the appliance. Note the spillage test requirements detailed further on in this manual. If the fan is likely to affect the appliance, the appliance must not be installed unless the fan is permanently disconnected.

2.16 Propane gas appliances must not be installed in a room, which is built entirely below ground level (see BS 5871 Part 2).

3. PRELIMINARY CHECKS

3.1 CHECK IGNITION SPARK

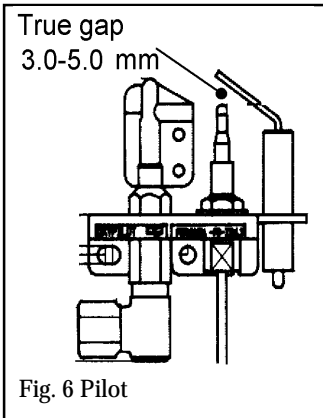


Fig. 6 Pilot

Before attempting to install, it is worth checking that the piezo electric spark ignition system operates satisfactorily.

To initiate the spark, depress the control knob and while keeping it depressed, turn anticlockwise through approximately 60° to the "PILOT/IGN" position. A spark should track from the electrode pin to the thermocouple tip. If there is no spark or incorrect

tracking, check the spark gap between the electrode wire and thermocouple tip (see figure 6). If the spark gap is correct, check the ignition wiring.

3.2 CHECK THE FIREPLACE

The fireplace must comply with all the requirements of section 2.

The fireplace floor should be reasonably flat to ensure that the convection box can be installed without it rocking and so that a good seal can be made at the bottom front of the box. The front face of the fireplace should be reasonably flat over the area covered by the convection box top and side flange seals to ensure good sealing. These faces should be made good if necessary. If the appliance is to be fitted against a wall with combustible cladding, the cladding must be removed from the area covered by the outer surround. We suggest that the actual surround is used as a template to mark the area for combustible cladding removal.

3.3 FIREPLACE FLUE PULL

After preparing the fireplace, carry out the flue flow test as detailed in BS5440: Part 1.

Note - A 13 gramme smoke pellet will generate the required volume of smoke, anything smaller may give a false pass result. Observe the smoke. If there is a definite flow into the opening continue with the installation. If there is not a definite flow, preheat the chimney for ten minutes and recheck. If there is still no definite flow, the chimney may need attention. *Do not fit the appliance. Seek expert advice.*

4. GAS SUPPLY CONNECTION

8mm Bundy or semi-rigid tubing must be used to connect the appliance to the gas supply. Centre the appliance in the fireplace opening taking care not to scratch or damage the hearth.

If a concealed gas pipe fixing is to be used, offer the gas pipe through the appropriate grommet. A nut and olive are

provided for an 8mm pipe inlet connection to the elbow at the bottom front of the appliance. The elbow can be rotated to allow a connection from any direction. The elbow includes a valve for isolating the gas supply.

5. PREPARING APPLIANCE FOR INSTALLATION

5.1 Burner removal

The burner assembly is retained by one screw set in the front leg (see Fig.7). Remove the screw and carefully remove the burner assembly by lifting and sliding forward from the firebox.

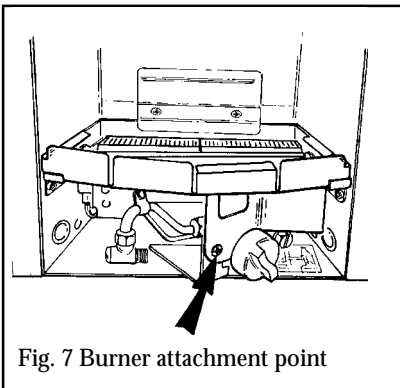


Fig. 7 Burner attachment point

5.2 The flue restrictor

This appliance is supplied with a flue restrictor fitted inside the firebox. (See figure 8). **The restrictor must be removed where a precast flue or a flue liner is used.** For all other installations the restrictor should remain in place. There may however, be certain exceptional circumstances where the restrictor causes the fire to fail the spillage test. In such cases the restrictor will have to be removed. After removal conduct the spillage check again.

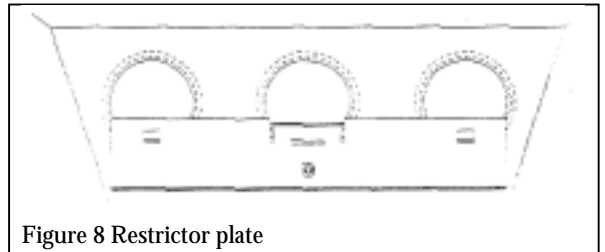


Figure 8 Restrictor plate

5.3 Firebox Seal

A self-adhesive foam seal is supplied for attaching to the rear of the firebox frame inboard of the decorative trim on all three faces. Make sure that all joints are butted together to prevent air gaps. see figure 9.

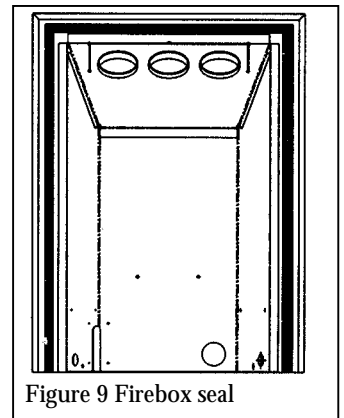
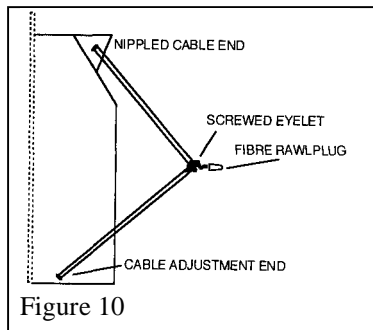


Figure 9 Firebox seal

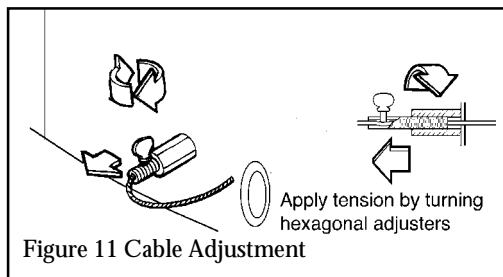
6. INSTALLATION TO FIREPLACE

Cable Retention



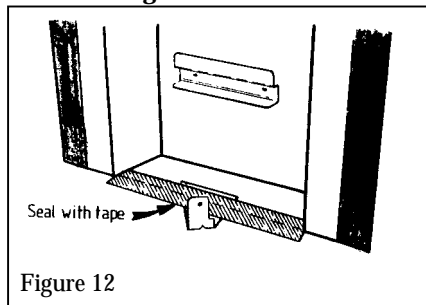
Cables and eyebolts are supplied for the retention of the appliance. Ensure that the internal fireplace components are sufficiently sound to take the eyebolts and wall plugs. These should be fitted in accordance with Figure 10, using the wall plugs

and a No.10 drill. Use only the fibre wall plugs supplied (or similar). **On no account should plastic wall plugs be used.** Assemble the cables through the eyelets and holes in the lower sides of the appliance. Fit adjusters as shown in figure 11.



With the adjusters fully screwed in, carefully manoeuvre the appliance into the fireplace opening. Take up any slack in the cables. Tighten the screws in the adjusters to secure the cables. Apply tension to the cables by turning the hexagonal adjusters so that the foam seals are compressed. Do not overtighten. If the sealing foam does not fully compress, the cables may need to be released by loosening the adjuster screws and pulled up tighter before re-tightening the screws. Do not cut off any excess cable, instead coil up the cables against the flanges to allow easy removal and refitting during future servicing.

Floor Sealing



Using the floor sealing tape supplied, seal the bottom of the convection box to the fireplace and hearth floor. Run the tape over the burner-fixing bracket. See figure 12.

Gas Connection

- Put the burner unit in position in the firebox. without refitting the retaining screw at this stage.
- Cut and shape the gas supply pipe to suit the direction of entry and gas inlet fitting position. For right hand side connection the supply pipe will have to be formed to go behind the control knob and burner support bracket.
- Refit and tighten the burner retaining screw.
- Connect the supply line to the appliance.
- Pressure check the installation pipework for gas soundness in accordance with the current edition of BS6891. A long brush may be required to reach some joints.

Preliminary Burner Checks

Some burner operations can be checked at this stage. Checking now will mean that less disassembly will be required if any problems are found.

A full check should still be made, however, after final installation.

- If closed, open the isolating valve at the inlet elbow.
- Depress the control knob and turn anticlockwise partially towards the “PILOT/IGN” position until some resistance is felt. Keep depressed at this position to purge air from the system then, while keeping it depressed, turn fully to the “PILOT/IGN” position. A spark should be generated at the pilot while turning. The spark should ignite the pilot. If not turn the control knob back to the off position and repeat the procedure.
- When pilot ignition has been achieved, keep the control knob depressed for approximately ten seconds to allow the thermocouple probe to warm up and then release it. If the pilot does not remain alight, ensure that the air has been purged, that the pilot orifice is clear and that the thermocouple connections are sound. Replace the pilot unit if necessary (see servicing section of this manual).
- When the pilot is alight and stable, partially depress the knob and turn to “LOW”. The pilot should then light the main burner at its low setting. There may be a delay of up to four seconds between the pilot lighting and ignition of the gas at the main burner. This is normal and is due to the time required to fill the main burner compartment with sufficient gas for ignition.
- When the burner is operating properly, partially depress the control knob and gradually turn it anti-clockwise. The burner flames should gradually increase until the knob reaches the “HIGH” position.
- When the above checks have been completed partially depress the control knob and turn to “OFF”.
- If the above checks are satisfactory, continue with the installation. If not, check the control and ignition circuitry and components as described in the servicing section of this manual.

Check Reference Pressure

The appliance is pre-set to give the correct heat input at the inlet pressure shown in the Technical Specification section of this manual. No adjustment is necessary.

- Check the burner pressure by fitting a pressure gauge at the test point. The test point is on the pipe situated below the bottom right corner of the burner unit.
- Check the pressure with the appliance alight and set at maximum output.
- After checking, turn off the appliance. Remove the pressure gauge and replace the test point sealing screw.
- Relight the appliance. Turn to the maximum output position and test around the sealing screw for gas soundness with a suitable leak detection fluid.

7. CERAMICS INSTALLATION

7.1 Make sure that the tray trim is fitted over the front edge of the burner tray and that it is pushed fully down. See figure 13. Place the front base coal in the burner compartment so that it rests on the ledges at the sides and front. Pull the coal forward so that it is immediately behind the front rim of the burner compartment. (See figure 13).

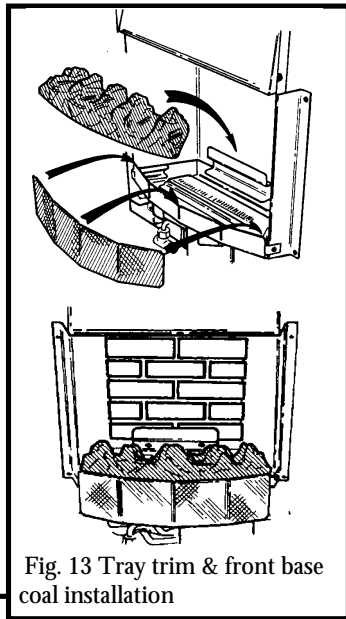


Fig. 13 Tray trim & front base coal installation

7.2 Place the rear base coal in the burner compartment behind the front coal. It should rest on the ledge at the back of the burner compartment and its rear face should touch the rear ceramic wall (See figure 14)

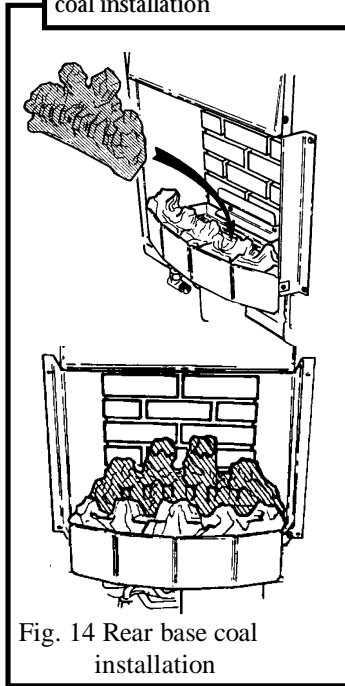


Fig. 14 Rear base coal installation

7.3 Install the 15 loose coals as follows. The smooth surfaces of the coals should be at the bottom and back.

7.3.1 Select the four rectangular shaped coals and position two on each side of the base ceramics. See figure 15.

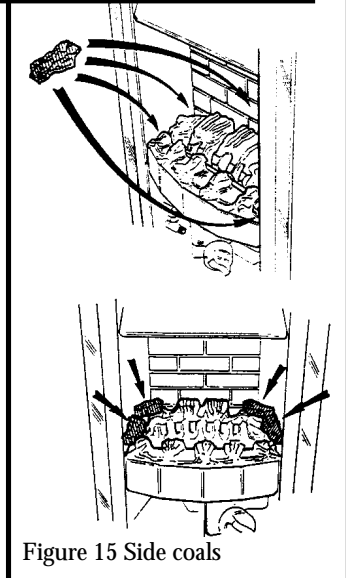


Figure 15 Side coals

7.3.2 Place four of the remaining coals in the four valleys of the front coal. Place the left side coal so that the pilot flame will be visible. See figure 16.

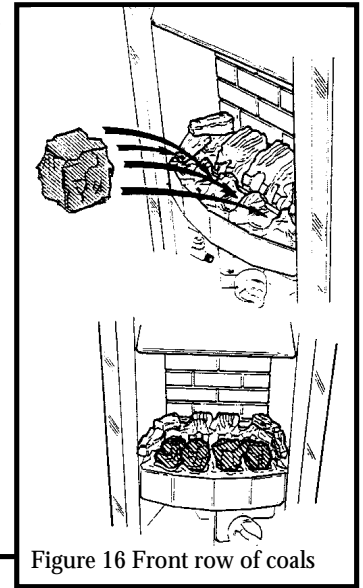


Figure 16 Front row of coals

7.3.3 Place three of the remaining coals behind the front row and approximately midway between the front row and the rear ceramic wall of the firebox. See figure 17.

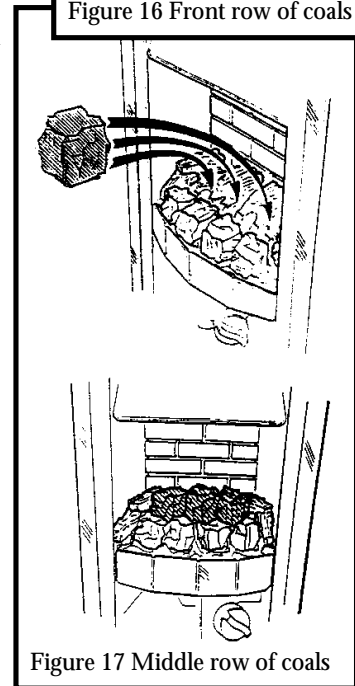


Figure 17 Middle row of coals

7.3.4 Place the four remaining coals along the back ceramic wall. See figure 18.

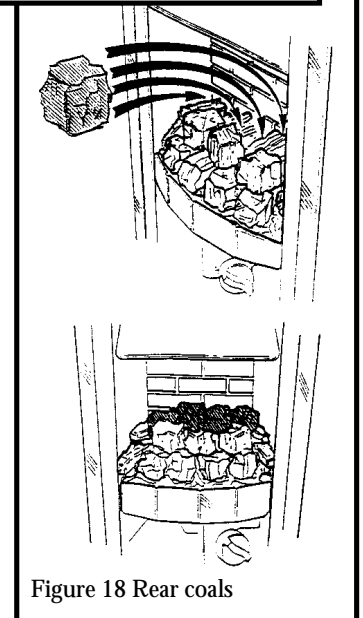


Figure 18 Rear coals

8 FULL OPERATING CHECKS

8.1 Recheck Control Settings

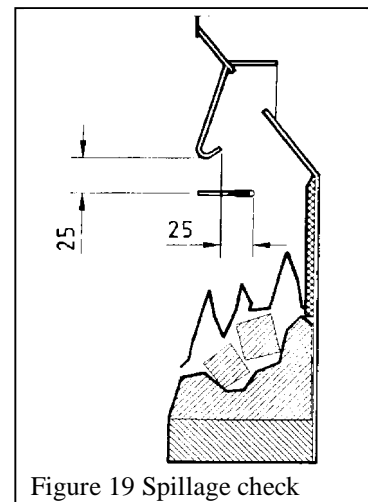
Now that all the ceramic fuel effects are in position, the control operation must be fully rechecked.

- Make sure that the isolating valve is open.
- Depress the control knob and turn anti-clockwise partially towards the "PILOT/IGN" position. A spark should be generated at the pilot while turning. The spark should ignite the pilot. Check that the pilot flame is visible.
- When pilot ignition has been achieved, keep the control knob depressed for approximately ten seconds to allow the thermocouple probe to warm up and then release it. If the pilot does not remain alight, ensure that the pilot orifice is clear.
- When the pilot is alight and stable, partially depress the knob and turn to "LOW". The pilot should then light the main burner at its low setting. There may be a delay of up to four seconds between the pilot lighting and ignition of the gas at the main burner. This is normal and is due to the time required to fill the main burner compartment with sufficient gas for ignition.
- When the burner is operating properly, partially depress the knob and gradually turn it anti-clockwise. The burner flames should gradually increase until the knob reaches the "HIGH" position.
- Partially depress the control knob and turn back the "PILOT/IGN". The main burner flames should be extinguished but the pilot should remain alight.
- Partially depress the control knob and turn to "OFF" the pilot should be extinguished.

8.2 Check For Spillage

A spillage check must be made before leaving the installed appliance with the customer. Make this check with the appliance fully installed with the ceramics and front castings in position.

- Close all doors and windows in the room containing the appliance.
- Light the appliance and turn the control knob to "HIGH".
- Leave the appliance on for five minutes.
- Place the smoke match into the appliance canopy (See Fig.19)
- The installation is satisfactory if the smoke is drawn into the appliance. If the smoke is not



- drawn into the appliance, leave the appliance alight at the maximum setting for a further ten minutes and then repeat the test. If smoke is still not drawn into the appliance, inspect the sealing to the fireplace surround. If smoke is still not drawn into the appliance, **disconnect the appliance and seek expert advice.**
- If the above test is satisfactory, open all internal connecting doors, hatches, etc., in the room. Keep all doors and windows that open to the outside of the building closed. Recheck for spillage as above. If an extractor fan is installed in the same room as the appliance or a connecting room, check that spillage does not occur with the fan operating and all doors and other openings between the fan and the appliance open.
- If the smoke is drawn into the appliance, continue with the installation. If the test is not satisfactory, **disconnect the appliance and advise the customer of the cause of failure.**

8.3 Flame Supervision & Spillage Monitoring System

This pilot unit incorporates a system that will automatically shut off the gas supply if the pilot flame goes out or if there is insufficient oxygen due to spillage or lack of ventilation.

This monitoring system must not be adjusted, bypassed or put out of operation.

This monitoring system, or any of its parts, must only be exchanged using Wonderfire Authorised parts.

9. FINAL REVIEW

- Hand these instructions and the owner's guide to the customer.
- Advise the customer how to operate the appliance.
- Explain to the customer that the appliance has a flame failure and spillage monitoring system. Point out the explanation of this system shown in the owner's guide under "Operating the Fire". Advise that if the fire goes out for any reason, wait at least three minutes before relighting. Stress that if the monitoring system repeatedly shuts off the fire, the appliance should be switched off and a specialist should be consulted.
- Advise the customer that the front surround, firebox and ceramic pieces can be cleaned as described in the owner's guide and that the coal pieces must be replaced as described in those instructions. ***Stress that no extra coals must be added over and above those supplied with the appliance and that any replacements must only be the authorised spares. Warn that ignoring this advice could cause incomplete clearance of the products of combustion with consequent health hazards.***
- Recommend that the appliance should be serviced and the chimney inspected by a competent person (In the UK a CORGI registered person) at least annually.
- If the appliance is in premises in the United Kingdom occupied by a tenant, point out that by law a landlord must have any gas appliance, flue and pipework which is situated in a tenant's premises checked for safety at least every 12 months.

10. SERVICING & PARTS REPLACEMENT

- **Always turn off the gas supply before commencing any servicing.** (The inlet elbow for this appliance incorporates an isolating valve).
- **This product uses fuel effect pieces, burner compartment walls and gaskets containing Refractory Ceramic Fibres (RCF), which are man-made vitreous silicate fibres. Excessive exposure to these materials may cause temporary irritation to eyes, skin and respiratory tract. Consequently, it makes sense to take care when handling these articles to ensure that the release of dust is kept to a minimum. To ensure that the release of fibres from these RCF articles is kept to a minimum, during installation and servicing we recommend that you use a HEPA filtered vacuum to remove any dust and soot accumulated in and around the fire before and after working on the fire. When replacing these articles we recommend that the replaced items are not broken up, but are sealed within a heavy duty polythene bag, clearly labelled as RCF waste. This is not classified as "hazardous waste" and may be disposed of at a tipping site licensed for the disposal of industrial waste. Protective clothing is not required when handling these articles, but we recommend you follow the normal hygiene rules of not smoking, eating or drinking in the work area and always wash your hands before eating or drinking.**
- Check that the appliance is clean and that soot or debris is not blocking the gaps between the coals causing an imperfect flame.
- Check that soot or debris is not impairing the electrode spark or pilot burner.
- Check that soot or debris is not blocking any of the slots in the main burner.
- After servicing, make sure that the ceramic walls and coals are replaced correctly as described in the installation instructions.
- **Always test for gas soundness and spillage after servicing the appliance.**

10.1 To Replace Burner Plaques (See Figure 20)

10.1.1 Remove the 15 loose coals, front base coal and rear base coal.

10.1.2 Remove the plaque clamping strips by detaching 6 screws.

10.1.3 Remove the plaques and the combination gasket between and under the plaques. If necessary remove the gauze and the gasket beneath it.

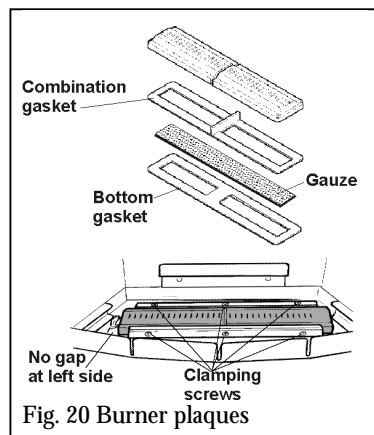
10.1.4 If necessary fit a new gasket below the gauze. Clean and replace the gauze. Fit a new combination gasket below the plaques. Push the gasket ends inwards to form a dividing gasket between the plaques.

10.1.5 Place the new left hand plaque in position. The left side of the plaque must touch the inside edge of the retaining flange at the left side of the burner well.

10.1.6 Place the new right hand plaque in position. Make sure that the centre section of the combination plaque is between the two plaques. If there is any play between the plaques and the end retaining flanges, push the plaques firmly to the left squeezing the centre section of the combination gasket between the two plaques. Any gap should be between the right side of the plaque and the right side retaining flange.

10.1.7 Fit the front and rear plaque clamping strips. Make sure that the plaques are as far to the left as possible. **It is important that the left side plaque is accurately positioned so that it has the correct relationship to the pilot.** Fully tighten the clamping strips.

10.1.8 Refit the ceramic fuel effects and walls as described in section 7 of this manual.



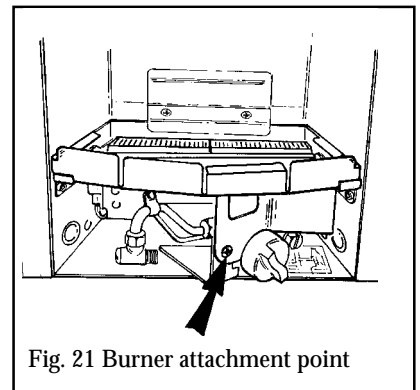
10.2 To Remove The Complete Burner Unit (See Figure 21)

10.2.1 Remove the 15 loose coals, front base coal and rear base coal.

10.2.2 Support the inlet isolating elbow to avoid straining the pipework and disconnect the appliance from the elbow.

10.2.3 Detach the burner unit from the convection box by removing 1 screw. See figure 21.

10.2.4 Replace in the reverse order.



10.3 To Remove The Pilot Unit (See Figure 22)

10.3.1 Remove the burner unit - See section 10.2.

10.3.2 Disconnect the electrode lead from tab underneath the electrode.

10.3.3 Undo the thermocouple nut at the gas tap.

10.3.4 Disconnect the pilot pipe from the pilot unit elbow.

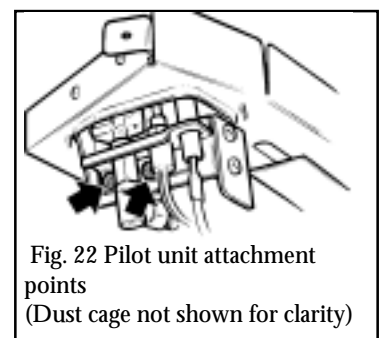
10.3.5 Remove the first screw securing the dust cage to the pilot unit / burner. Carefully remove the dust cage and place aside.

10.3.6 Remove the second screw securing the pilot unit to the burner. Remove the pilot unit and place it aside

10.3.7 Refit in the reverse order

Note 1 The pilot unit must be replaced as a whole assembly. Its individual components are not separately replaceable.

2. Once removed, ensure that the dust cage is cleaned before refitting. Make sure that it locates squarely onto the pilot unit without any gaps between the cage edges and the pilot unit.



10.4 To Remove The Gas Tap/F.S.D.

- 10.4.1** Remove the burner unit - See section 10.2.
- 10.4.2** Disconnect the electrode lead from tab underneath the electrode.
- 10.4.3** Undo the thermocouple nut at the gas tap.
- 10.4.4** Disconnect the inlet pipe at the tap end.
- 10.4.5** Disconnect the pilot pipe at the tap end.
- 10.4.6** Disconnect the main burner pipe at the tap end.
- 10.4.7** Pull off the control knob.
- 10.4.8** Remove the gas tap fixing nut. Pull the tap clear of the control plate.
- 10.4.9** Replace in the reverse order.

10.5 To Remove The Piezo Generator

- 10.5.1** Remove the gas tap as section 10.4.
- 10.5.2** Make sure that the tap is in the off position.
- 10.5.3** Remove the circlip holding the piezo unit to the tap. Remove the piezo unit.
- 10.5.4** Replace in the reverse order.

10.6 To Grease The Control Tap/F.S.D.

- 10.6.1** Detach the tap and remove the piezo generator as section 10.5 making sure that the tap is in the off position.
- 10.6.2** Remove the two screws from the head of the tap. Remove the niting head and spindle complete with collar and spring.
- 10.6.3** Note the position of the slot in the plug - mark its position on the tap body.
- 10.6.4** Remove the plug rotating slightly while pulling.

- 10.6.5** Clean and grease the plug lightly with suitable grease. Do not apply excessive grease. Particularly, make sure that the gas ports in the tap are not restricted by grease.

- 10.6.6** Push the plug into the tap body and position the slot in line with the mark previously made on the tap body.
- 10.6.7** Reassemble the niting head and spindle complete with collar and spring making sure that the components are correctly engaged. Check the operation of the tap.
- 10.6.8** Refit the piezo generator.

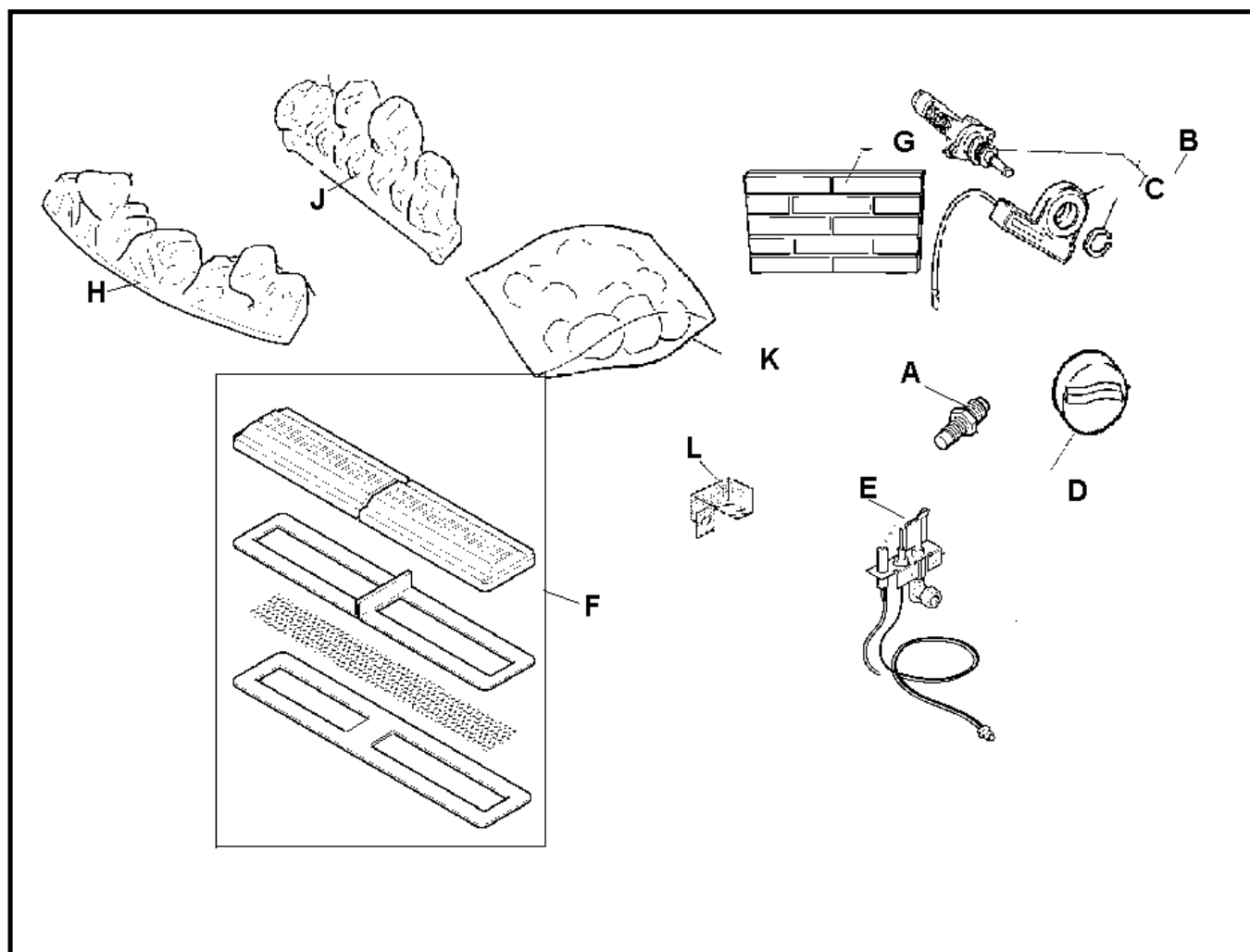
10.7 To Remove The Main Burner Injector

- 10.7.1** Remove the burner unit - See section 10.2.
- 10.7.2** Disconnect the main burner pipe from the injector at the venturi end. If necessary, loosen the pipe at the gas tap end to swing the pipe clear of the injector.
- 10.7.3** Unscrew the injector from the rear support bracket.
- 10.7.4** Refit in the reverse order.

10.8 To Remove The Appliance From The Fireplace

- 10.8.1** Remove the 15 loose coals, front base coal and rear base coal.
- 10.8.2** Slacken the hexagonal adjusters on the cable retainers and unscrew the thumbscrews to release the cables.
- 10.8.3** Refit as described in the relevant installation sections. Make sure gas soundness, sealing, spillage test and performance are satisfactory.

11. SHORT LIST OF SPARES



KEY	DESCRIPTION	NO. OFF	PART NO.
A	Injector Bray cat 18 size 360 <i>For Natural Gas Appliances</i>	1	541609
	Injector Bray cat 18 size 170 <i>For Propane Appliances</i>		571709
B	Gas tap & spark generator	1	569429
C	Spark generator	1	521069
D	Control knob	1	545979
E	Pilot unit <i>For Natural Gas Appliances</i>	1	540979
	Pilot unit <i>For Propane Appliances</i>		544929
F	Burner plaque & gasket set	1	569439
G	Ceramic rear wall	1	9770081
H	Front coal	1	9770074
J	Rear base coal	1	9770082
K	Pack of loose coals	1	9780037
L	Dust cage	1	567619

MANUFACTURED BY WONDERFIRE, WOOD LANE, ERDINGTON, BIRMINGHAM, B24 9QP