



CONVERSION GUIDE

This kit is for the following conversions: -

AF16NV	- 9500298	TO	AF16XL	- 9500322
AC16NV	- 9500296	TO	AC16XL	- 9500323
AF16NV RC	- 9500370	TO	AF16XL RC	- 9500372
AC16NV RC	- 9500371	TO	AC16XL RC	- 9500373

This guide must be read in conjunction with the Installer guide supplied with the fire.

We trust that these instructions give sufficient details to enable this appliance to be converted and installed satisfactorily. However, if further information is required, our **Wonderfire Technical Helpline** will be pleased to help.

Please telephone 08706 061 065 (National call rates apply in the United Kingdom)
In the Republic of Ireland telephone 0044 8706 061 065

This guide to be left with the owner

CONVERSION GUIDE

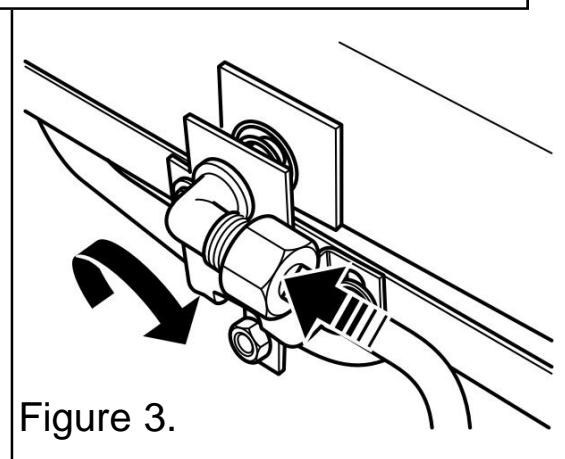
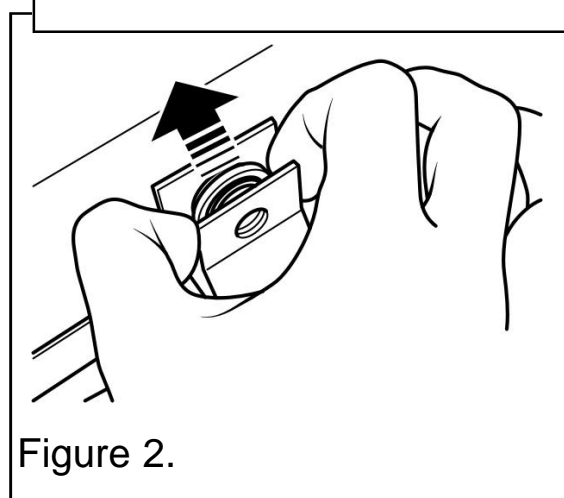
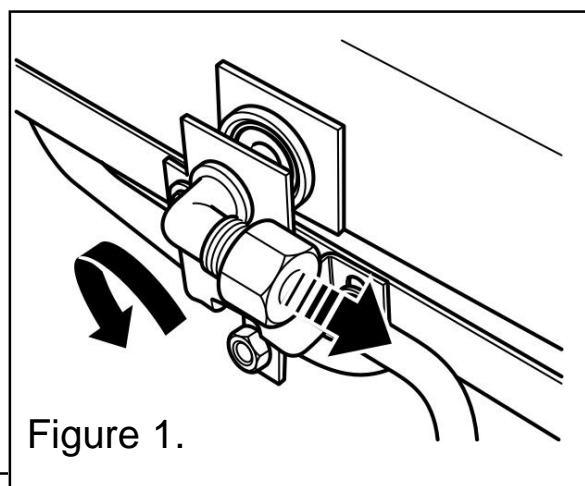
LIST OF CONTENTS

The kit contains the following: -

- 1 Conversion guide
- 4 Overlay labels, only one of which will be used during each conversion.
- 1 Injector Cat 82- size 702

BURNER CONVERSION

1. Isolate the appliance from the gas supply. The inlet 'T' connector contains an isolating valve.
2. Remove the ceramic fuel effect and place in a safe location away from the work area. Ensure that any decorative surfaces are protected as the ceramic fuel effect may cause discolouration.
3. Support the inlet 'T' connector and disconnect the burner unit from the gas supply.
4. Remove the burner.
5. Place the burner on a flat surface. It is advisable to cover the surface to prevent damage.
6. Support the injector elbow and unscrew the nut connecting the pipe to the injector elbow (See figure 1).
7. Unscrew and discard the injector elbow.
8. Remove the spring and brass insert from the aeration plate (See figure 2).
9. Replace the spring ensuring that the wide end sits against the aeration plate.
10. Fit the injector supplied with this kit. To do this, screw it into place (See figure 3).
11. Support the injector elbow and connect the pipe securing nut removed previously. Ensure that the connection is tight (See figure 3).
12. Supplied with the kit are four overlay labels. Each label reflects a different model. Pick the label relevant to the model being converted and place this over the appropriate area on the data label.
13. Re-connect the appliance to the gas supply and commission the gas supply to the appliance.



CONVERSION GUIDE

- 14.* Check that all connections are sound using a suitable leak detection fluid.
- 15.* Check the setting pressure. Refer to the installation and servicing manual for full details.
- 16.* Fit the ceramic fuel effect. Refer to the installation and servicing manual for full details.
- 17.* Conduct a spillage test in accordance with the installation and servicing manual.