

**Wonderfire**

A I R F L A M E  
**Overture**

Model: AFO N - Natural Gas  
AFO P - Propane Gas

**GB**

**IE**

Installation  
Instructions

(to be left at the Gas Meter)

**IMPORTANT NOTE**

Please read these instructions  
carefully before commencing  
installation. This manual is  
copyright (1995)

**WARNING**

THIS PACKAGE CONTAINS AN  
AIRFLAME CERAMIC BURNER

UNPACK AND HANDLE WITH  
CARE TO AVOID DAMAGE

Manufactured by Wonderfire  
part of Valor Ltd

Copyright C Wonderfire 1995

NOT TO BE USED OUTSIDE OF THE UK OR REPUBLIC OF IRELAND



**NOTE: ALWAYS USE GENUINE WONDERFIRE SPARE PARTS.**

**DECORATIVE FIREFRONT**

Suitable firefronts are available from Wonderfire Dealers.  
Always use a firefront offering at least 2" sq of free air through the fender to ensure proper cooling of the gas control and piezo igniter.

Fires having unsuitable firefronts may invalidate the warranty.

**SHORT SPARES LIST**

Never fit non-standard parts, as this might constitute a hazard. Use only the correct manufacturers spares. Use only the correct number of fibrebed components and install them as described in the procedures.

PART NUMBERS	
Description	Wonderfire Part No.
Gas Control	9730049
Gas Control knob	9730058
A.S.D. Pilot Assembly Natural	9740029
A.S.D. Pilot Assembly Propane	9740030
<u>DRESS COALS:</u> AFO (15 IN SET)	9780001
<u>FRONT COALS:</u> AFO	9780026
<u>COAL MATRIX:</u> AFO	9770068
<u>MAIN INJECTOR:</u> Natural Gas	9730072
Propane Gas	9730044

**IMPORTANT NOTES**

The Gas Safety (Installation & Use) (Amendment) Regulations 1990 require that no person shall carry out any work in relation to a gas fitting unless he is competent to do so. CORGI is the body approved by the Health & Safety Executive to maintain a register of competent Gas Installers.

In addition, installation must be carried out in accordance with the Building Regulations issued by the Department of the Environment and the Building Standards Regulations issued by the Scottish Development Department, and with these instructions.

Before installation, check that the local distribution conditions, nature of gas and pressure, and adjustment of the appliance are compatible.

If the appliance is to be installed using a masonry chimney previously used for solid fuel the chimney must be swept prior to installation.

The minimum effective height of the chimney or flue must be 3m (10ft) from the hearth to the point of termination of the flue.

The chimney or flue must have any damper or restrictor removed, or permanently secured in the fully open position.

It is recommended that a fireguard complying with BS6539 or BS6778 be fitted for the protection of young children, the elderly, or the infirm.

This appliance is fitted with an Atmosphere Sensing Pilot, on no account should this be altered or adjusted.

In accordance with BS5440 Part 2, ventilation is not normally required for this appliance. However, any requirement relating to other appliances which may be in the same room must be taken into consideration.

This appliance is for use only with the type of gas for which it has been supplied.

Note that certain soft wallcoverings such as vinyl materials may stain when heated.

Must be installed in accordance with the rules in force.

Approximate weight of appliance 18-20kg.

**RELATED DOCUMENTS**

BS 5440 Part 1, 1990	BS 5871 Part 2,
BS 5440 Part 2, 1989	BS 1251 1987
BS 715, 1986	BS 6461 Part 1, 1984
BS 6461 Part 2, 1984	BS 1289
Republic of Ireland I.C.P.3	

## INSTALLATION AND COMMISSIONING INSTRUCTIONS

### PLEASE READ CAREFULLY BEFORE STARTING WORK

#### Fireplace, Flue and Ventilation Details

Read the important notes on the inside front cover before proceeding with the installation of your fire. Only when you have complied with all the above should you proceed any further. NOTE: Hearth requirements.

The burner is produced from a soft ceramic material and should be handled carefully.

The burner tray assembly has been tested before it leaves the factory and is in perfect working order.

Remove any transit tape and packing and inspect for any evidence of mishandling which might affect the performance. There are two sets of burner ports. The top burner ports are located on the upper surface of the ceramic burner. The front burner ports are located on the vertical ribbed surface at the front of the ceramic burner. Each unit is flame tested before it leaves the factory and as a result there may be slight discolouration around the burner ports. There may also be slight thermal cracking across the burner surface which is perfectly normal and is not detrimental to performance.

8mm (5/16) Bundy or semi-rigid tubing must be used to connect the appliance to the gas supply.

Centre the appliance in the fireplace opening taking care not to scratch or damage the hearth.

If a concealed gas pipe fixing is to be used, offer the gas pipe through the appropriate grommet.

The burner assembly is retained by one screw set in the front leg. Carefully remove the burner assembly by sliding forward from the firebox.

Place in a safe position, being careful not to damage any ceramic parts.

#### Flue restrictor plate.

The appliance is supplied with a flue restrictor plate, the correct positioning of the restrictor is important. Failure to position the restrictor correctly could cause spillage, or reduce efficiency. DO NOT FIT THE RESTRICTOR ON 125MM OR PRECAST BLOCK FLUES.

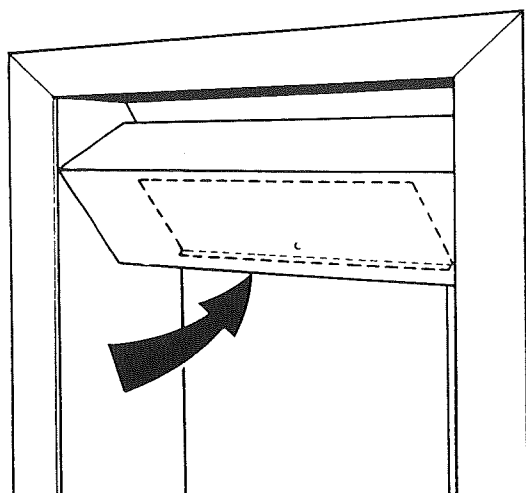


Figure 4 Restrictor Location

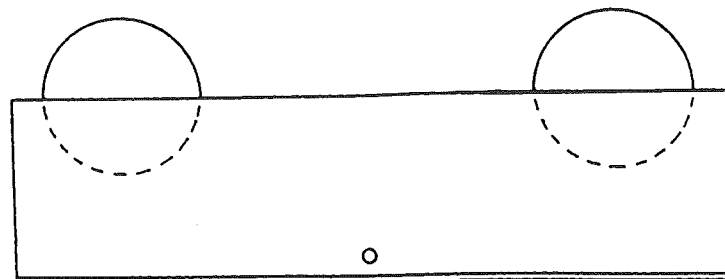


Figure 5 Restrictor for 175mm flues

Note: We recommend you use the appliance at a low setting for the first few hours of use to reduce thermal cracking to the surface. Surface cracking of the burner is normal and not cause for concern. Whilst binding materials are being burnt out of the ceramics there may be a slight odour.

#### 5. To Turn the Fire back to Pilot Setting

Depress control knob and turn clockwise until pilot setting is reached.

#### 6. To Turn the Fire Off

Ensure control knob is in pilot position, depress control knob and turn clockwise to the OFF position.

#### OPERATION OF FIRES FITTED WITH AERATION CONTROL

For appliances fitted with the aeration control system the lighting and adjustment procedure are as normal. To operate the aeration control system the following procedure should be followed:

1. Allow appliance to fully warm up (at least 15 minutes) in the fully aerated position, control pushed in to the locked position. See figure 13.
2. To switch to the minimum aerated position slightly lift the control whereby the spring mechanism will close the shutter device.
3. To return to the fully aerated setting, push the control in until the rod rests in its locked position.

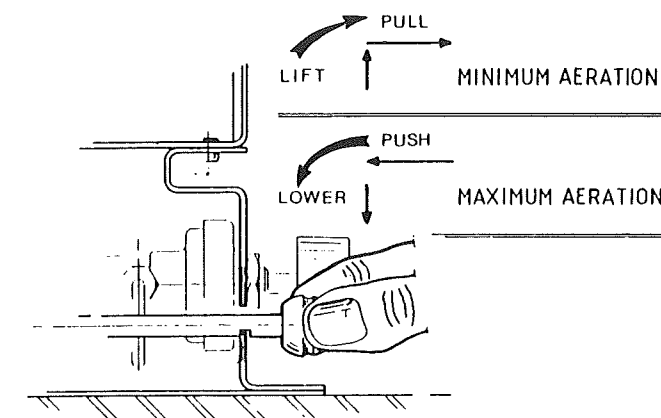


Figure 13

#### PLEASE NOTE:

It is advisable to run the fire in its fully aerated position (control pushed in) at the beginning of each operation and if running on the minimum rate setting or to burn off any carbon deposits which may have built up after prolonged usage on the minimum aerated setting.

#### Decorative Fire Front

The decorative fire front should be placed centrally in front of the fire. A gap of 5mm (1/4") is recommended between the fire tray and rear of fire front.

## OPERATION OF THE FIRE

1. This fire is controlled by a four position gas tap mounted on the front of the appliance (see Fig 12). In addition to the OFF position there is a pilot light and 2 heat control settings.

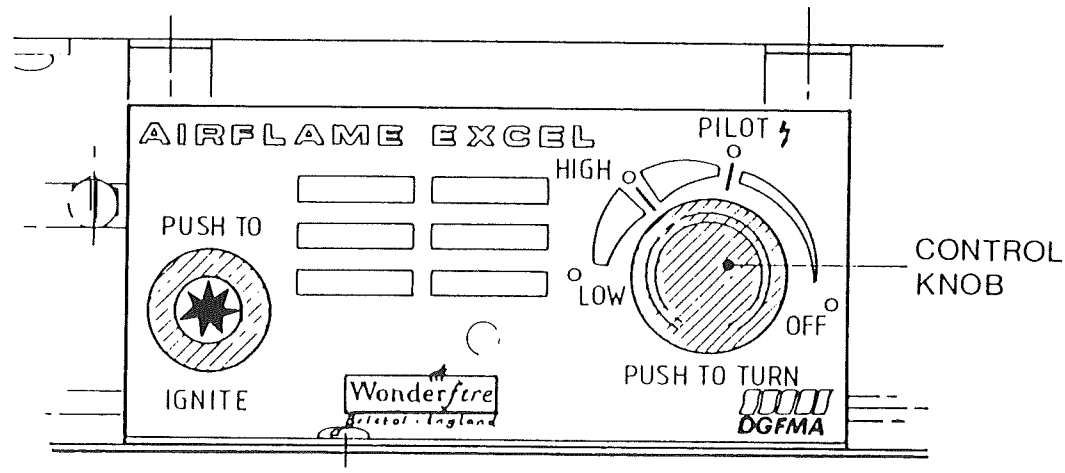


Figure 12

Ignition of the fire is by a push button piezo unit which ignites the pilot light. The main burner is lit from this pilot.

As a safety feature all fires are equipped with a flame supervision device which will shut off the supply of gas in the unlikely event that the fire is extinguished.

### 2. To Light the Pilot

Ensure that the control knob is turned to the OFF position. Depress the control knob and turn anticlockwise until the PILOT setting is reached.

Keeping the control knob depressed, press the piezo ignition unit to ignite the pilot. Observe if it is alight by looking through the slots to the left hand end of the front coals.

If the pilot does not ignite immediately, press piezo button several more times until ignition is achieved.

Note: If after 10 seconds ignition has not occurred turn control knob back to OFF position, wait for 30 seconds and then repeat ignition procedure.

Once pilot is lit keep control knob depressed for 10 seconds to allow flame supervision device to establish. When the control knob is released the pilot should remain lit. If the pilot light fails to establish repeat the lighting procedure, this time keeping the gas control knob depressed for longer.

### 3. Lighting the Main Burner

Once the pilot light is established the main burner can be lit by turning the control knob anticlockwise to the HIGH position.

### 4. Controlling the Heat Setting

In order to change from one setting to another depress the control knob slightly and turn the knob to the required position. Alternatively if a setting between LOW and HIGH is required the control may be set in this position.

## Cable retention

Cables and eyebolts are supplied as an alternative method of retention. Ensure that the internal fireplace components are sufficiently sound to take the eyebolts and wall plugs. These should be fitted in accordance with Figure 6 below, using the wall plugs and a No. 10 drill. Use only the fibre wall plugs supplied (or similar), on no account should plastic wall plugs be used.

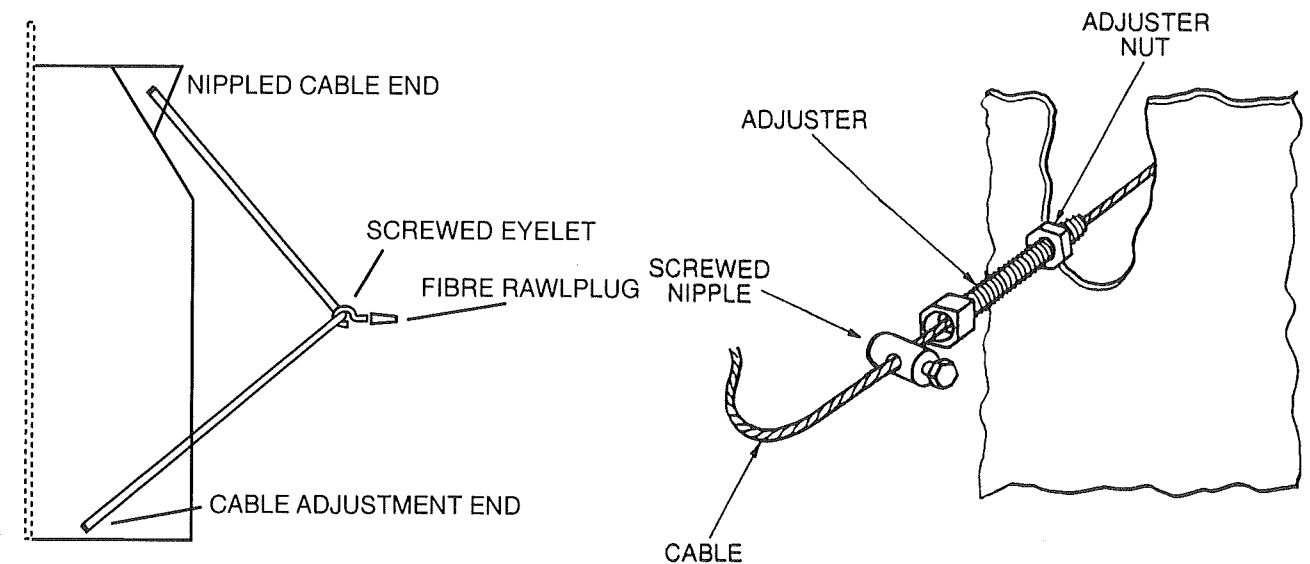


Figure 6

Figure 7 Cable adjustment

## Cable retention method

Assemble the cable through the eyelets and fit adjusters in accordance with Figure 7. With the adjusters screwed-in fully, carefully manoeuvre the appliance into the fireplace opening. Take up any slack on the cables, and tighten cable nipples into position.

Tighten the appliance into the fireplace opening by turning the adjuster nuts to compress the sealing foam sufficiently to provide an effective seal. Do not overtighten.

If the sealing foam does not fully compress, then the adjusters and nipples may require to be slackened, and the cable pulled up tighter before retightening the adjuster. Do not cut off any excess cable, instead coil up the cable against the flange, as it may be required for servicing purposes.

Replace the burner assembly into position in the firebox, without refitting the retaining screw at this stage. Cut and shape the gas supply pipe to suit the chosen direction of entry and the gas inlet fitting position. Refit and tighten the burner assembly retaining screws.

Placing the Front Coals and Fuel Matrix

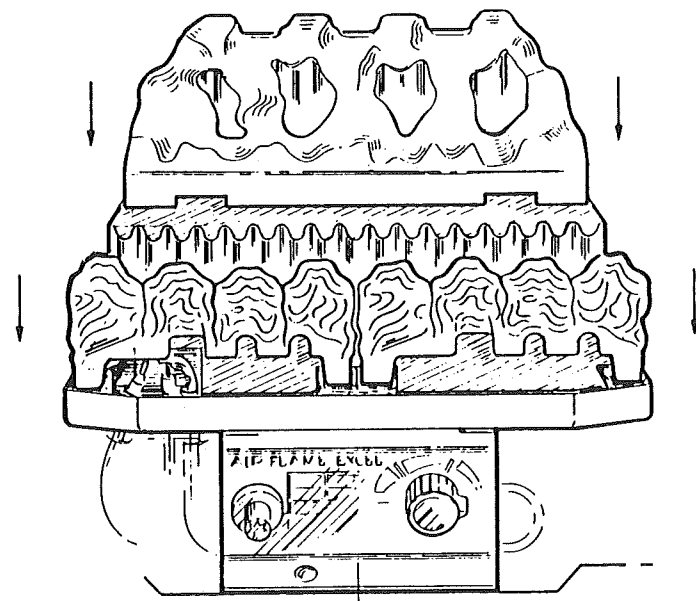


Figure 8

This fire has a 2 piece ceramic front coal which should be treated very carefully. Each half should be located into the slots in the burner and gently pushed downwards until they sit against the burner (Figure 8). If the coal is tight do not force but observe where the tightness is and gently relieve the burner cut outs with a file or abrasive sheet.

Place the fuel matrix on the burner and locate it against the sides of the tray with the back lug locating into the recess at the rear of the burner.

Coal Arrangement

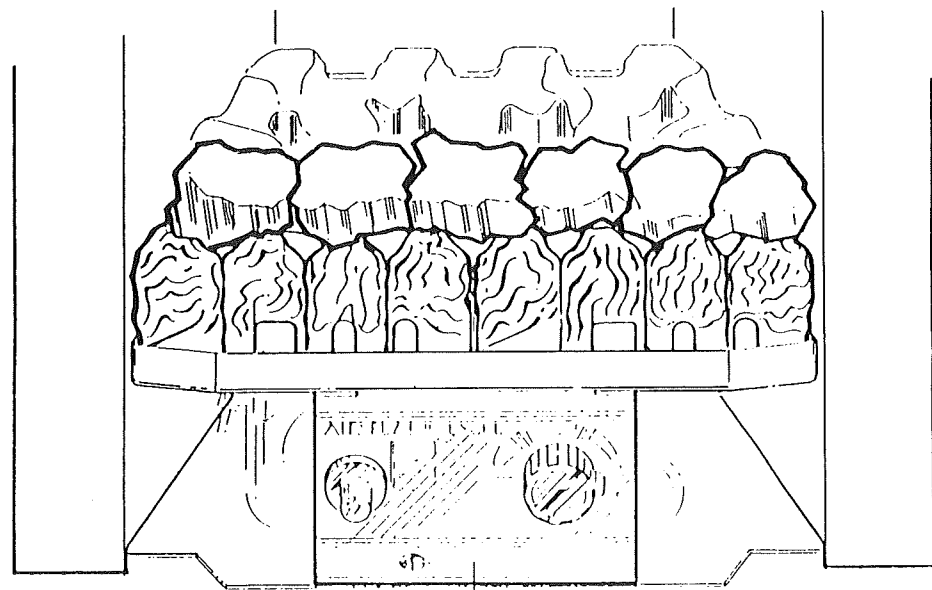


Figure 9

Place 6 coals between the front coal and the coal matrix taking care to locate the coals in the recesses provided in the front coals (Figure 9).

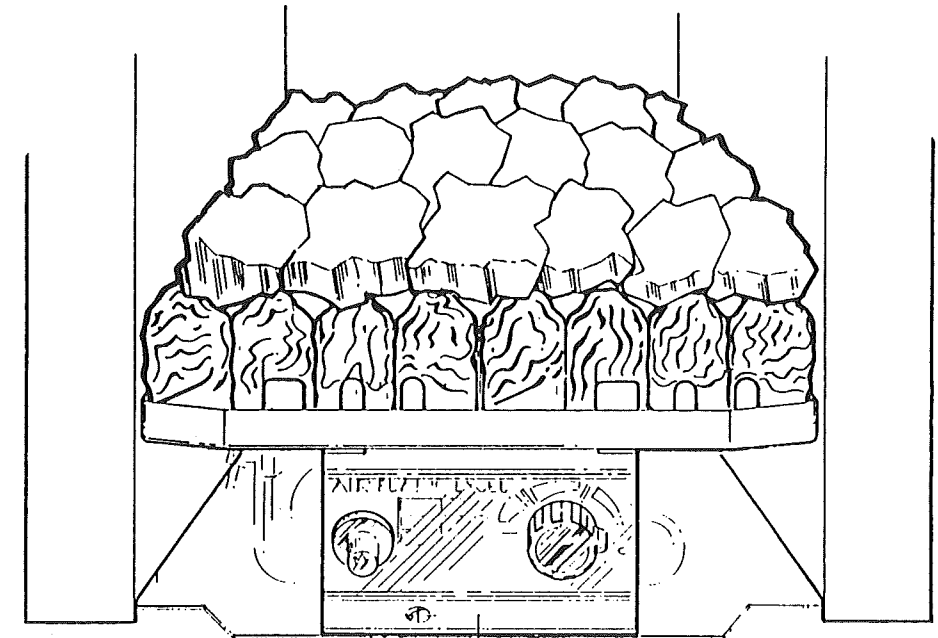


Figure 10

Place the remainder of the coal randomly across the whole firebed to give a realistic effect (Figure 10).

SPILLAGE TEST

This spillage test must be conducted to confirm the safe clearance of combustion products. Light the fire and allow to warm up for five minutes at the maximum rate. Place a smoke match inside the canopy see diagram and observe the smoke is drawn into the appliance if not allow to warm up for a further five minutes and repeat. If spillage occurs check if the restrictor is in place if so turn the appliance off and allow to cool. Remove the restrictor. Repeat the spillage test, if spillage continues to occur isolate the appliance and seek expert advice.

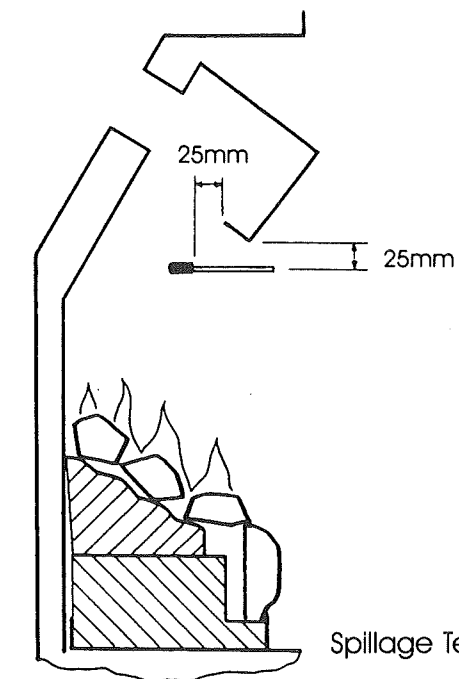


Figure 11

Spillage Test