

VALOR FIRES

INSTALLER AND OWNER GUIDE

Model 870

hydroflame[®]

Dream

This guide is intended to help you install and care for your Valor Fires Hydroflame[®] Dream. Please read carefully before installing and using your heater. However, if further information is required, our **Valor Fires Technical Helpline** will be pleased to help. Telephone **0844 8711 565** (National call rates apply in the United Kingdom). In the Republic of Ireland Telephone **0044 844 8711 565**.



BAXI • VALOR • WONDERFIRE

Important: Please keep your guide in a safe place for future reference.

© **Baxi Heating U.K. Limited 2009.**

All rights reserved. No part of this publication may be reproduced in any material form (including photocopying), stored in any medium by electronic means (including in any retrieval system or database) or transmitted, in any form or by any means, whether electronic, mechanical, recording or otherwise, without the prior written permission of the copyright owner.

Applications for the copyright owner's permission to reproduce any part of this publication should be made, giving details of the proposed use, to the following address: The Company Secretary, Baxi Heating UK Limited, The Wyvern Business Park, Stanier Way, Derby, DE21 6BF.

Warning: Any person who does any unauthorised act in relation to a copyright work may be liable to criminal prosecution and civil claims for damages.

Hydroflame® is a Registered Trade Mark of Smith's Environmental Products Limited.

Safety First.

Valor Fires heaters are CE Approved and designed to meet the appropriate British Standards and Safety Marks.



Quality and Excellence.

All Valor Fires heaters are manufactured to the highest standards of quality and excellence.

VALOR FIRES

Valor Fires, Erdington, Birmingham B24 9QP.
www.firesandstoves.co.uk

Because our policy is one of constant development and improvement, details may vary slightly from those given in this publication.

INSTALLER GUIDE

FOR OWNER GUIDE SEE PAGES 18 TO 27

INSTALLER GUIDE

CONTENTS

<u>Section</u>	<u>Heading</u>	<u>Page</u>
	INSTALLER GUIDE	3 - 17
	OWNER GUIDE	18 - 27
1.	HANDLING AND UNPACKING	5
2.	SAFETY	6
3.	OPTIONAL KITS	7
4.	FITTING THE HEATER	8
	Pipes and temperature settings.	8
	Location.	8
	Repairs	9
	Contents	10
	Fitting the flexible hoses.	11
	Securing the heater.	12
	Method A - Securing with screws.	12
	Method B - Securing with wire.	12
	Method C - Securing the optional spacer frame kit (5135855) with screws.	14
	Method D - Securing the optional spacer frame kit (5135855) with wire.	14
5.	FITTING THE FASCIA	15
6.	COMMISSIONING THE HEATER	16
7.	FAULT FINDING	17
	No flame-effect.	17
	Fan does not run on any switch setting or no heat output on electric heating.	17
	No heat output on central heating mode.	17

INSTALLER GUIDE

1. HANDLING AND UNPACKING

Before continuing any further with the installation of this heater please read the following:

Important instructions.

- A carry handle is fitted to the top of the heater. We recommend that this is used when moving the heater.
- The approximate lifting weights (kg) of the heater parts are listed below:

<u>Model</u>	<u>Heat engine</u>	<u>Fascia</u>
Dream	10.73	12.54

- One person should be sufficient to lift the heater. If for any reason this weight is considered too heavy then obtain assistance.
- When lifting always keep your back straight. Bend your legs and not your back.
- Avoid twisting at the waist. It is better to reposition your feet.
- Avoid upper body / top heavy bending. Always bend from the knees rather than the waist. Do not lean forward or sideways whilst handling the heater.
- Always grip with the palm of the hand. Do not use the tips of fingers for support.
- Always keep the heater as close to the body as possible. This will minimise the cantilever action.
- Use gloves to provide additional grip.
- Always use assistance if required.

INSTALLER GUIDE

2. SAFETY

This appliance is not intended for use by persons (including children) with reduced physical, sensory or mental capabilities, or lack of experience and knowledge, unless they have been given supervision or instruction concerning use of the appliance by a person responsible for their safety.

Children should be supervised to ensure that they do not play with the appliance.

Always

- **Always** install the heater in accordance with this guide. If in doubt obtain expert advice.
- **Always** make sure the fused spur is accessible and located adjacent to, but not above or behind the heater.
- **Always** disconnect the heater from the electrical supply before carrying out cleaning or maintenance.
- **Always** use genuine Valor Fires spares.

Never

- **Never** obstruct or cover the fan outlet or force items into heater openings.
- **Never** install or use the heater anywhere where water or high humidity is in use, i.e. Bathrooms, Kitchens, Shower Rooms and Swimming Pools etc. (It is accepted that the heater is connected to a water system)
- **Never** use aerosols or steam cleaners on or around the heater.
- **Never** route the electric cable under carpet etc.
- **Never** install the heater close to curtains or combustible materials.
- **Never** use the heater to dry clothes etc.
- **Never** sit or stand on the heater.
- **Never** use the heater with a timer switch or similar device.

Important Electrical Safety

Hydroflame® Dream is classified as fixed appliance and electrical connection should be via a 5A fused Spur. The fused spur must not be directly above the heater but should be accessible after completion of the installation.

CAUTION: In order to avoid a hazard due to inadvertent resetting of the thermal cut out, this appliance must **not** be supplied through an external switching device, such as a timer, or connected to a circuit that is regularly switched on and off by the utility.

INSTALLER GUIDE

Important! This heater must be earthed.

- The wires in the cable are coloured in accordance with the following code:-
 - Live = Brown
 - Neutral = Blue
 - Earth = Green /Yellow
- The electric supply must be safely routed from the heater to a 5A fused spur. If the electric cable is damaged, to avoid a hazard it must be replaced by a Valor Fires authorised service agent, or similarly qualified person. All external wiring between the heater and the electrical supply shall comply with current IEE regulations. Extension leads should not be used.

3. OPTIONAL KITS

An optional 50mm deep spacer frame kit is obtainable either from your heater supplier or direct from Valor Fires Sales. The kit number is 5135855.

INSTALLER GUIDE

4. FITTING THE HEATER

Important: Before continuing with the installation of this heater please ensure that you have completed the information on the last pages of the owner guide.

General notes to read before fitting your heater.

Pipes and temperature settings.

Hydroflame® Dream is designed for use on standard two-pipe pumped central heating systems with a maximum water temperature of 86°C and a maximum pressure of 6 bar (88lbs/in²). Pipes are 15mm and may be used either as flow or return.

Hydroflame® Dream is not suitable for one-pipe systems.

Hydroflame® Dream is fitted with an internal low temperature cut-out device that prevents the fan operating until the central heating system water has reached a set temperature. This is factory set at 40°C but is adjustable for higher or lower temperatures (See note at the end of section 6).

The flexible installation hoses supplied are suitable for use with either 15mm diameter copper pipe or cross-linked polyethylene barrier pipe to BS 7291.

Location.

To avoid the possibility of vibration, ensure the fire opening is clear of debris, and the fireplace base or floor is level.

There should be at least 50mm clearance between the top of the fascia and anything such as a shelf, fireplace surround or mantel etc. This will allow the fascia to be lifted off or removed during servicing. To check the shelf clearance gently place the fascia against the surface to which it is to be fixed and measure the distance from the top of the fascia.

If fitting the heater onto a reflective or shiny surface such as a hearth we recommend that this surface does not extend further than 300mm from the fixing plane (wall). Reflective or shiny surfaces that project further than 300mm may reflect an image of the internal light source.

If fitting the heater onto a decorative hearth surface such as marble or tile it is advisable to protect the hearth surface. Do not drag the heater as the surface finish may be damaged.

INSTALLER GUIDE

Hydroflame® Dream is designed for installation into a fireplace opening or surround, try the heater in the opening to ensure that it will fit.

Where and how can you fit the heater?

Q Can the heater be installed into a 'hole in the wall' (elevated opening)?

A We do not recommend the heater for this type of installation.

Q What opening size do you need in the surround or fireplace opening?

A This heater can be fitted into fireplaces or surrounds where the following dimensions are available.

Width	395mm - 450 mm.
Height	555mm - 590 mm.
Depth	At least 165mm (See below).

Q Do you want to fit the heater into a surround or fireplace?

A The minimum rebate / depth required is 165mm. An optional spacer frame kit* is available which has a depth of 50mm. This will reduce the rebate / depth required to 115mm.

*kit number 5135855.

Repairs.

Product repairs must be authorised by Valor Fires. Please telephone us on **0844 8711 565** (National call rates apply in the United Kingdom).

In the Republic of Ireland Telephone **0044 844 8711 565**.

INSTALLER GUIDE

Contents.

The contents have been identified in figure 1 (The fascia is not shown below).

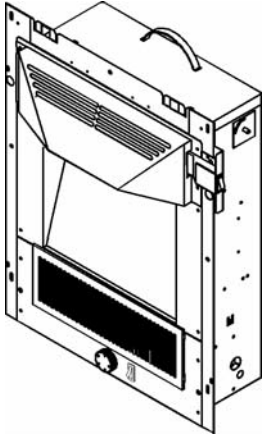



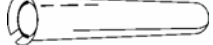


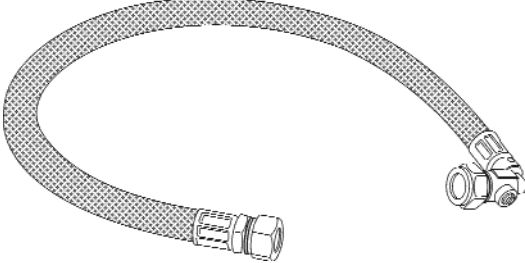
Contents	Quantity	(Illustrations are not to scale)
Heater	1	
Tension wire	1	
Eye screw	1	
Wood screw	4	
Wall plug	5	
M4 x 25mm screw	2	
Washer	2	
Flexible installation hoses with isolating elbows.	2	

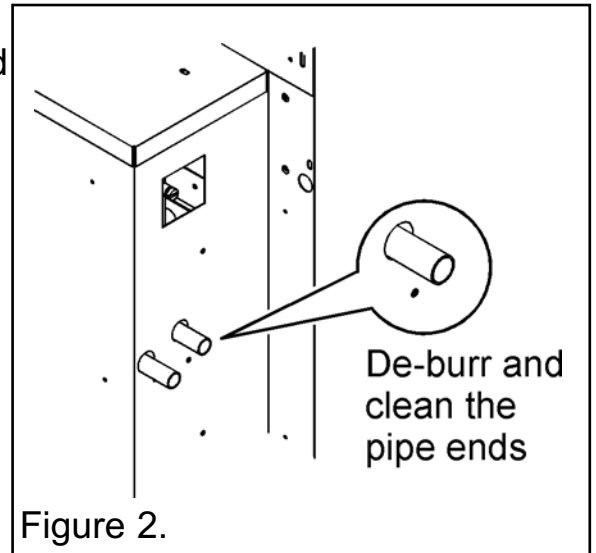
Figure 1. Contents

INSTALLER GUIDE

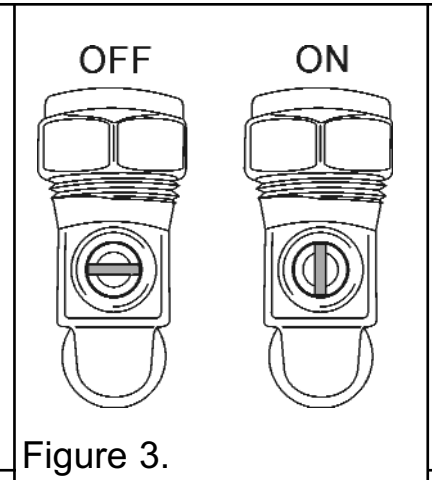
Fitting the flexible hoses.

NOTE: In certain installations the movement of the heater is restricted once connected to the system pipe work. We therefore recommend that before fitting the flexible hoses a securing method is chosen, the appropriate section is read and any necessary work conducted before connecting to the system pipe work. Always ensure that the heating system is OFF and completely cool before continuing.

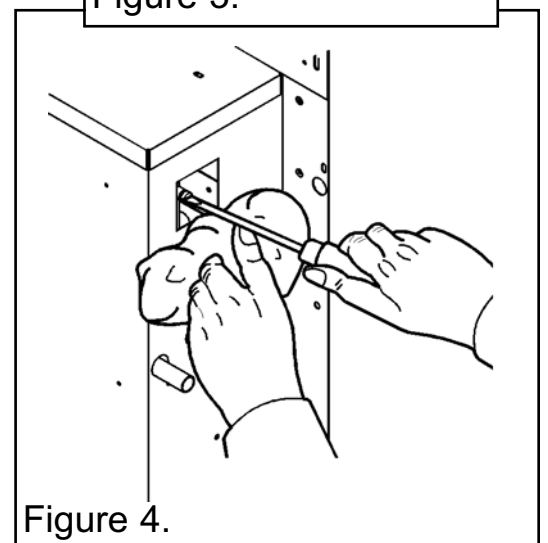
1. Before fitting the flexible hoses it is important to de-burr and clean both heater and system flow and return pipes.



2. Connect the elbowed ends of the flexible hoses to the product. Connect the other ends to the system pipe work. The bend radius of the hose must not be less than 60mm when the heater is fully installed. Open the valves and check for water leaks.



3. Vent any trapped air from the system. Use a cloth underneath the vent screw to catch excess water.



INSTALLER GUIDE

Securing the heater.

The heater must be secured into position to prevent it from being tipped over.

The following securing options are available:

- **Method A** - Securing the heater with **Screws**.
- **Method B** - Securing the heater with **Wire**.
- **Method C** - Securing the heater using the **Optional Spacer Frame and Screws** (kit number 5135855).
- **Method D** - Securing the heater using the **Optional Spacer Frame and Wire** (kit number 5135855).

Before securing the heater please read point 9 of section 6.

Method A - Securing with screws.

Note - If fixing to marble it is recommended that Method B - 'Securing with wire' is used. Drilling marble without the correct tools and experience may result in the marble cracking.

1. Place the heater into the fireplace or surround opening. Make sure that the heater is in the middle of the surround or fireplace.
2. There are two slotted holes in the top of the heater and two in the lower side flanges (See figure 5). We recommend the use of all four holes. Mark through the holes so that their position is clear when the heater is removed.
3. Gently move the heater forward being careful not to strain the flexible hoses or system pipe work.
4. Drill an appropriate size hole in each of the marked positions for the wall plugs supplied. Insert wall plugs into the drilled holes.
5. Connect the heater to the fused spur.
6. Place the heater so that the holes are in line with the wall plugs in the fixing surface.
7. Screw and secure the heater with four wood screws - (See figure 1 and 5).

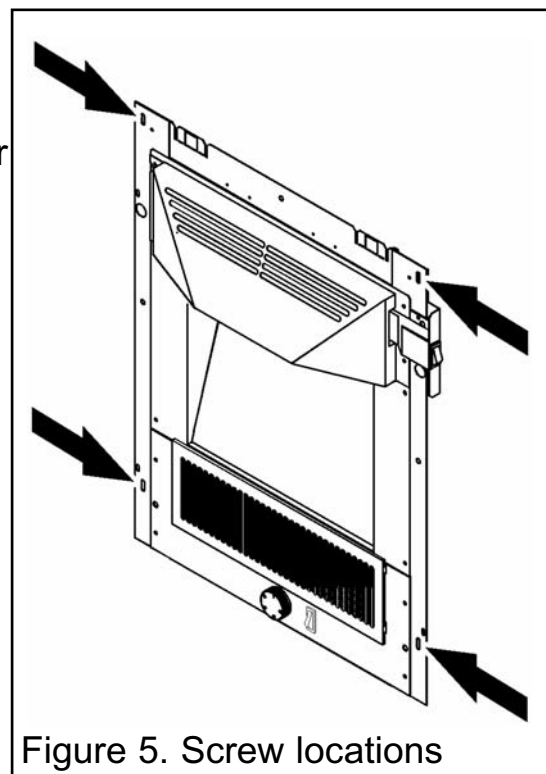


Figure 5. Screw locations

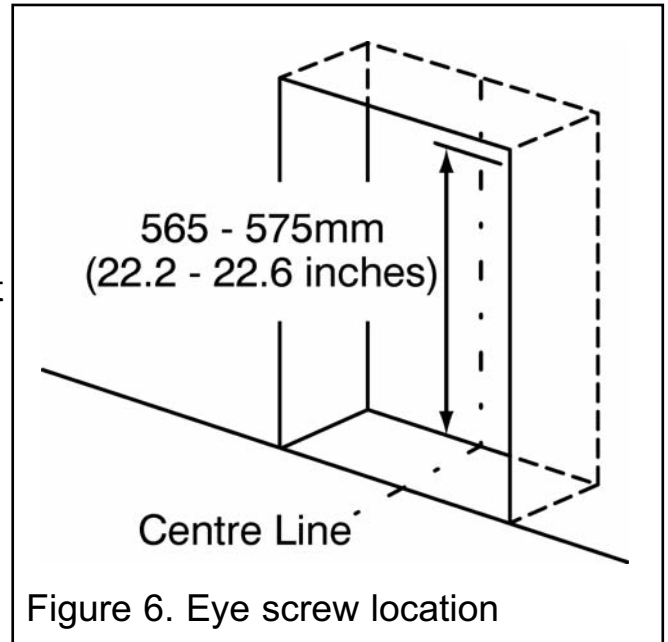
Method B - Securing with wire.

This method of securing is recommended where the wall / brickwork is in poor condition or where marble back panels / surrounds are used.

INSTALLER GUIDE

Although this section deals with fireplace openings without a spacer, this method of securing the heater can also be used with the optional spacer frame kit (See method C).

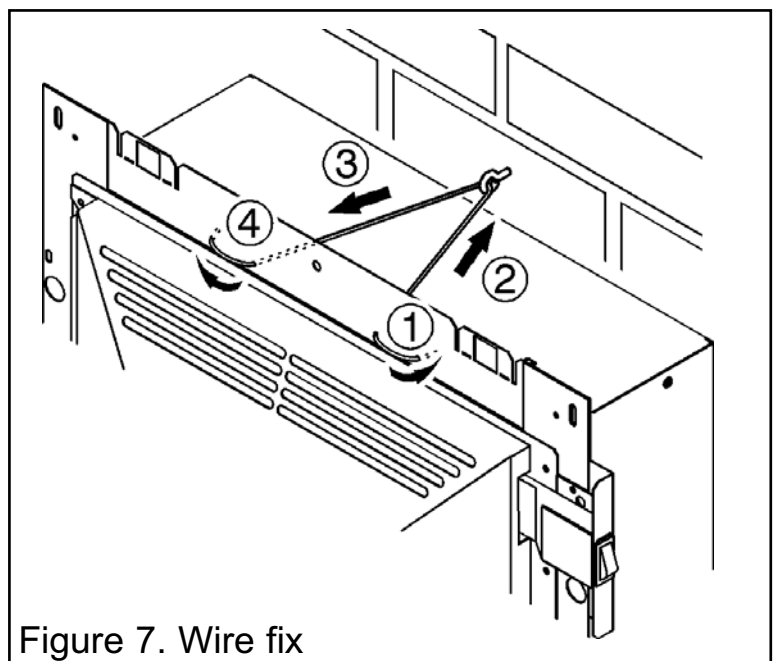
1. The fixing kit supplied with the heater includes a steel wire and eye screw. These can be used to secure the heater to the back of a surround / fireplace opening.
2. Mark the eye screw position on the centre line at the back of the fireplace opening and at a height of 565 - 575mm (See figure 6).
3. Drill an appropriate size hole in the marked position.
4. Insert a wall plug into the drilled hole.
5. Screw the eye screw into the wall plug.
6. Connect the heater to the fused spur.
7. At the top of the heater there are four small holes, two each side of the heater. From the front of the heater, thread about 50mm of the steel wire into the outside small hole on the right side of the heater (See point 1 - figure 7).



8. Thread the other end of the wire through the remaining small hole to the left. Continue to push the wire through this hole until there is only a small loop of wire at the front of the heater (See point 2 - figure 7).
9. At the back of the heater there will be a long piece and a short piece of wire coming through the two holes. Hold the short piece and give the long piece a gentle tug. This will secure the steel wire. Take the long piece and thread this through the eye screw in the back of the fireplace opening (See figure 7).

10. From the back of the heater thread the long piece of steel wire through the inner small hole on the left hand side of the heater (See figure 7).

11. Locate the heater in the fireplace opening, then from the front of the heater, gently pull the steel wire on the right hand side to gather up the excess until the heater is secure. Thread the wire through the remaining small hole to lock the wire and heater in place (See point 4 - figure 7).



INSTALLER GUIDE

Method C - Securing the optional spacer frame kit (5135855) with screws.

This method is not recommended where the wall / brickwork is in poor condition or where marble back panels / surrounds are used. See the following wire fixing section.

1. The top rear flange of the spacer frames has two screw locations. Mark the positions of the two screw locations on the rear wall (See figure 8).

2. Remove the spacer frames from the fireplace and place away from the work area.

3. Drill the screw locations using a suitably sized masonry drill bit for the wall plugs supplied.

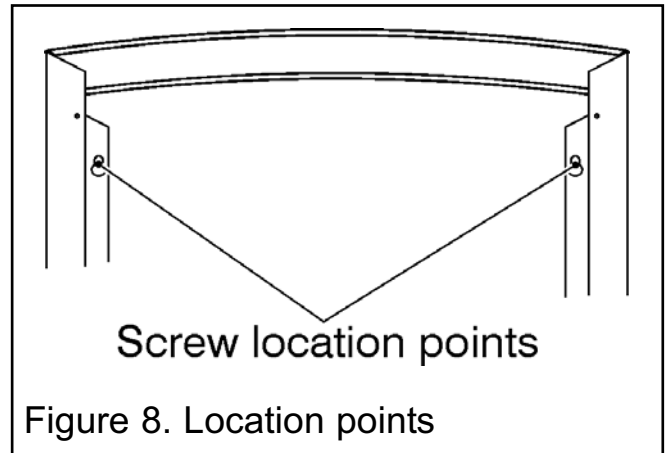
4. Insert two wall plugs provided into the holes.

5. Insert a wood screw into each hole (See figure 1) and screw in until there is approximately 6mm of screw protruding from the wall.

6. Secure the spacer frames to the heater using four No.8 x 3/8 screws supplied (See figures 9 and 1).

7. Connect the heater to the fused spur.

8. Carefully lift the heater and locate the slots on the rear of the spacer frame onto the screws in the wall. The screws can be adjusted to ensure a tight fit. When mounting to decorative surfaces such as wallpaper be careful not to drag the heater down the wall as this may damage the decorative surface.

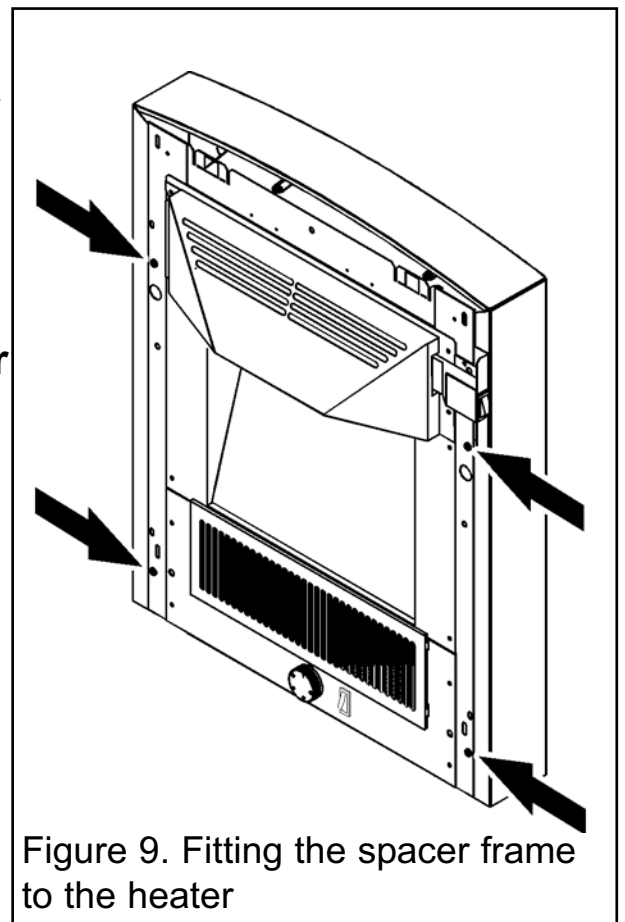


Method D - Securing the optional spacer frame kit (5135855) with wire.

This method recommended where the wall / brickwork is in poor condition or where marble back panels / surrounds are used.

1. Secure the spacer frames to the heater using four No.8 x 3/8 screws supplied (See figures 9 and 1).

2. Continue with the installation from point 1 of method B.



INSTALLER GUIDE

5. FITTING THE FASCIA

Fitting the Dream fascia.

1. Remove the fascia from its packaging.
2. Unscrew and remove the infill casting (See the upper section of figure 10)
3. Hold the fascia firmly and lift into place. Locate the fascia hanging brackets into those on top of the heater (See figure 10). Lower the fascia into place and swing the bottom of the fascia towards the heater.
4. Secure the fascia through the holes in the lower side legs of the fascia using two washers and two M4 x 25mm screws supplied (See figure 1).
5. Place the fire front casting in place. Position the ash pan cover beneath the fire front casting.

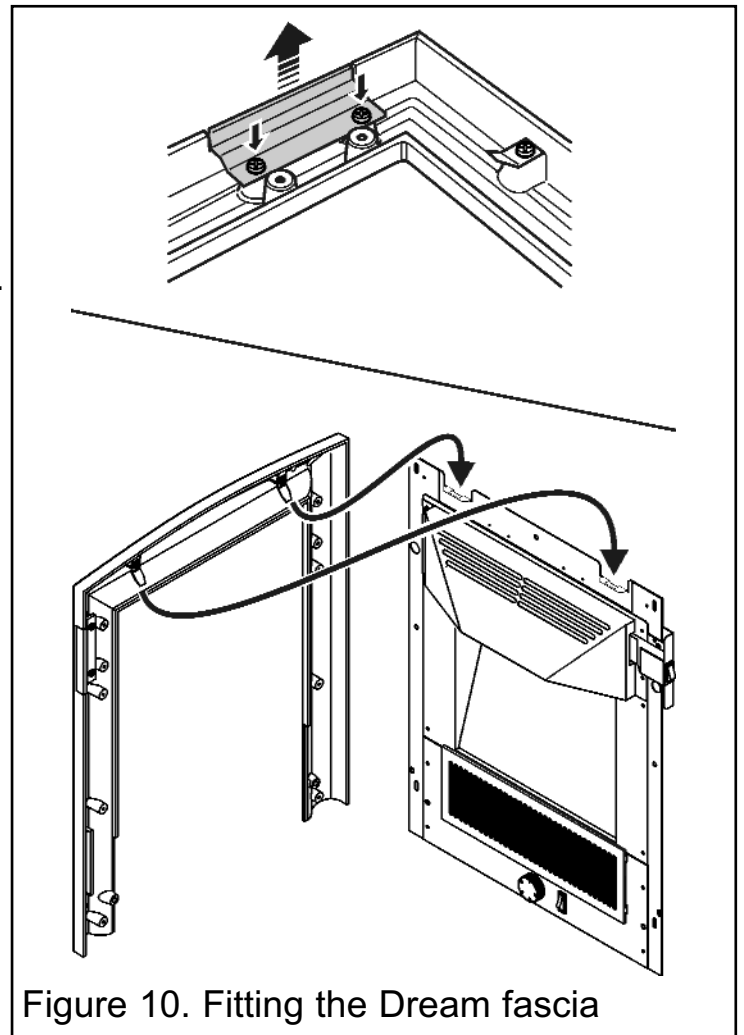

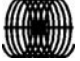



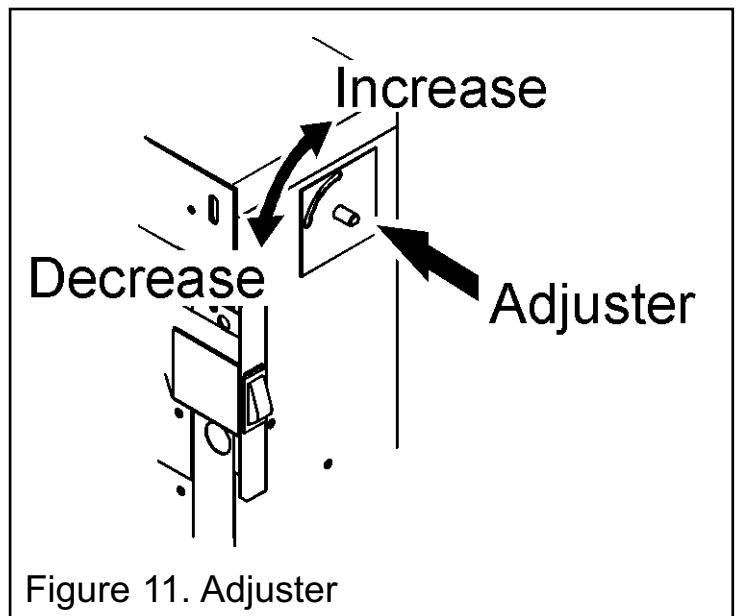
Figure 10. Fitting the Dream fascia

INSTALLER GUIDE

6. COMMISSIONING THE HEATER

1. Turn on the electrical supply at the fused spur.
2. Set the upper side switch to FLAME EFFECT  , the DIMENSION flame-effect will operate with the fan running at extra low speed.
3. Set the on-board thermostat knob to setting 5.
4. Set the heat selector switch to ELECTRIC HEATING  . The fan speed will increase slightly and heat will start to flow immediately.
5. Set the heat selector switch to CENTRAL HEATING  .
6. Turn on central heating system ensuring all controls are calling for heat. Heat will start to flow within a few minutes (when the system water temperature passing through the heater reaches the pre-set temperature, factory set at 40°C).
7. Balance the central heating system if the Hydroflame® Dream is installed on the same circuit as panel radiators.
8. When the installation is working correctly remember to reset the on-board thermostat to its normal setting.
9. If the factory setting for the internal low temperature cut-out device requires adjustment see the following note.

Note: Hydroflame® Dream models are factory set to start operating in central heating mode when the system water temperature is 40°C or above. Due to tolerances in the internal cut-out device this means the heater will not switch off until the system water temperature falls to approximately 36°C. This setting is sufficient for systems which normally run between 60°C and 70°C, however if the system runs at higher temperatures, the adjuster located on the side of the main body (See figure 11) can be turned clockwise up to a maximum of 50°C (off at approximately 46°C) or anticlockwise for lower temperatures. Release the locking plate, adjust the stud by hand as required and tighten the locking plate.



No flame-effect.

- Check the fused spur is switched ON.
- Check fuse in the fused spur.
- Check the wiring connections at the fused spur.

Fan does not run on any switch setting or no heat output on electric heating.

- Check the power supply is switched ON.
- Check the fuse in the fused spur.
- Check the wiring connections at the fused spur.
- Check overheat protection as below.

Overheat Protection – electric heating mode

This appliance is fitted with automatic overheat protection. To manually reset, turn off the power at the fused spur, wait 5 minutes then switch the power back on. In the event of difficulty, please Telephone us on **0844 8711 565** (National call rates apply in the United Kingdom). In the Republic of Ireland Telephone **0044 844 8711 565**. It will be more helpful if you do not remove the product from the central heating system.

No heat output on central heating mode.

- Ensure the room thermostat is calling for heat.
- Vent any trapped air from the system (with the central heating turned OFF).
- Check the central heating is switched ON.
- Balance the central heating system if installed on the same circuit as panel radiators and increase the circulating pump speed if required.
- Increase the boiler temperature.

OWNER GUIDE

**FOR WARRANTY AND SERVICE INFORMATION
SEE PAGES 22 TO 27**

OWNER GUIDE

CONTENTS

<u>Section</u>	<u>Heading</u>	<u>Page</u>
CUSTOMER CARE		19
ABOUT YOUR HEATER		20
	How Does Hydroflame® Dream Work?	20
	About your Hydroflame® Dream.	21
	Warranty.	21
HEAT OUTPUT PERFORMANCE		21
OPERATING THE HEATER		22
	Flame effect only setting.	22
	Heating - Central heating setting.	22
	Heating - Electric heating setting.	22
CLEANING AND MAINTAINING THE HEATER		23
	Important Safety.	23
	How do I clean my heater?	23
	How do I clean the filter at the front of the heater?	23
ENVIRONMENT		24
WARRANTY AND SERVICE		24

CUSTOMER CARE

Thank you for choosing Valor Fires

All Valor Fires heaters are designed to meet the most stringent quality, performance and safety requirements to provide our customers with many years of trouble free service. This guide aims to improve your understanding and appreciation of your new Valor Fires heater, by providing simple and informative instructions to enable you to install it and to ensure that you benefit from the excellent performance and features it has to offer.

If you require further assistance, the **Valor Fires Technical Helpline** will be pleased to help.

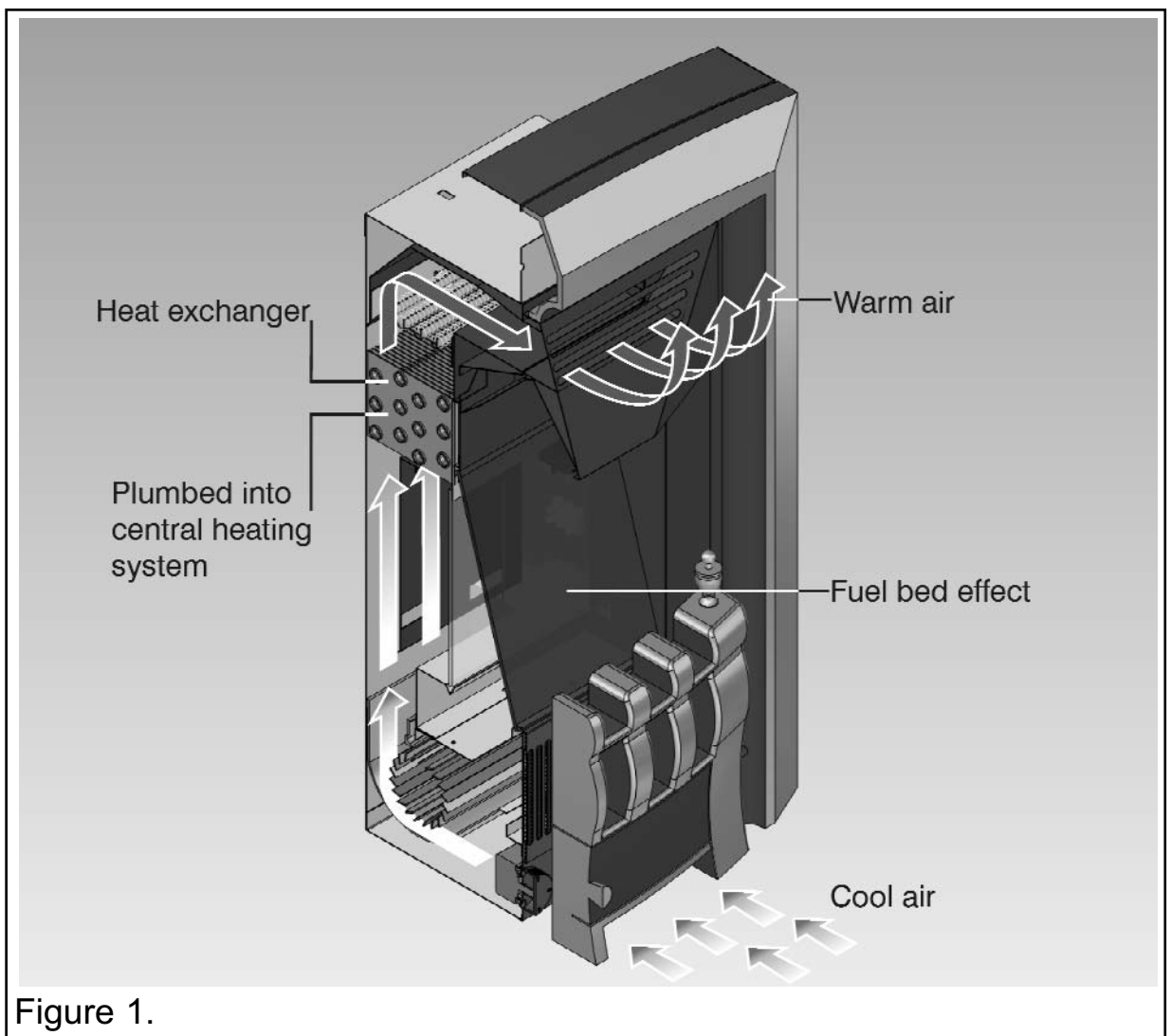
Please telephone contact us on **0844 8711 565** (National call rates apply in the United Kingdom). In the Republic of Ireland Telephone **0044 844 8711 565**.

OWNER GUIDE

ABOUT YOUR HEATER

How Does Hydroflame[®] Dream Work?

- Hot water from your central heating system passes through a heat exchanger and transfers heat to the aluminium fins of the heat exchanger. Cooler air at floor level is drawn in by the fan, used to create the flame-effect, heated as it passes through the heat exchanger before being expelled gently back into the room. This not only gives a more even temperature spread, but will heat a room up in less than half the time of a traditional panel radiator. Your Hydroflame[®] Dream is fitted with a supplementary electric heating element which allows you to heat your room when the central heating system is switched off. Hydroflame[®] Dream also includes an internal device that prevents the fan from operating until water in the central heating system passing through the heat exchanger reaches 40°C (As factory set). This prevents Hydroflame[®] Dream circulating cooler air at start up and allows Hydroflame[®] Dream to switch on and off automatically in conjunction with the central heating system.



OWNER GUIDE

About your Hydroflame[®] Dream.

- Your Hydroflame[®] Dream flame-effect radiator is designed to operate as part of your central heating system in the same way as a panel radiator. Providing the heat output switch is left in the on position, your Hydroflame[®] Dream will switch on and off automatically with your central heating system. The flame-effect can be switched on or off at any time without affecting the operation of the heater.
- In the event of any difficulty please contact us on **0844 8711 565** (National call rates apply in the United Kingdom).
In the Republic of Ireland Telephone **0044 844 8711 565**.

Warranty.

- Your Hydroflame[®] Dream is covered by a 1 YEAR warranty (See pages 22 - 27). For general advice about your heater, to report faults, arrange for your heater to be serviced, or for sales and product information call us on **0844 8711 565** (National call rates apply in the United Kingdom).
In the Republic of Ireland Telephone **0044 844 8711 565**.

HEAT OUTPUT PERFORMANCE

Heat output at 60°C - 1.5kW

Heat output at 50°C - 1.2kW

At 60°C assumes a mean water temperature of 80°C and room temperature of 20°C

At 50°C assumes a mean water temperature of 70°C and room temperature of 20°C



Please note that Hydroflame[®] Dream includes an electric element which in electric mode will emit 1kW of heat.

OPERATING THE HEATER


Never cover the heater or obstruct the opening at the base of the heater, this could cause overheating and consequent risk of fire.

(See figure 2)

Flame effect only setting.

Set the thermostat knob (behind the lower trim) to setting 1. With the heat selector switch set to CENTRAL HEATING , set the flame effect switch to FLAME-EFFECT . If the central heating system is on, some heat will be given out. To switch off set the flame-effect switch to its lower position.


Heating - Central heating setting.

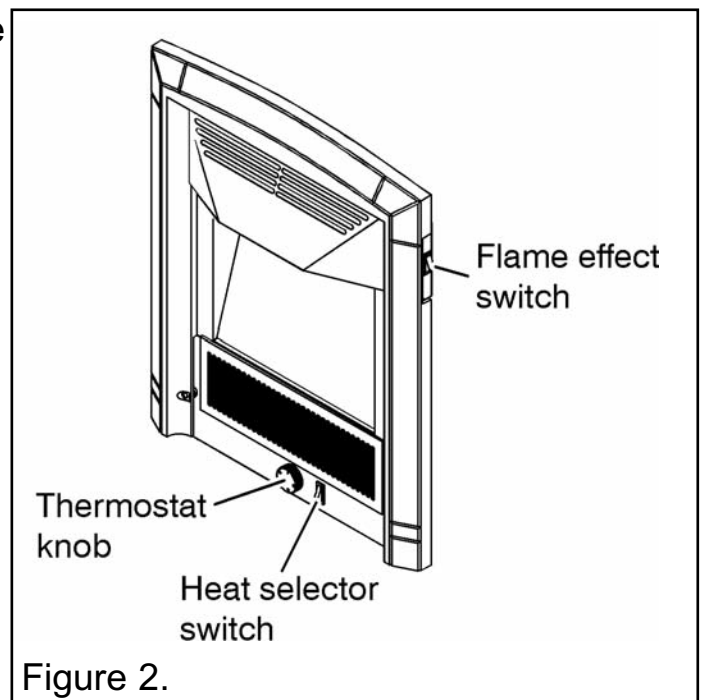
Ensure your central heating is ON. With the heat selector switch set to CENTRAL HEATING , set the thermostat knob (behind the lower trim) to the required setting (Setting 3 is approximately 20°C). If required, switch on the DIMENSION flame-effect. Providing the water temperature in the system is more than 40°C (or the temperature set by your installer) and the thermostat is calling for heat, your Hydroflame® Dream will give out heat.

The DIMENSION flame-effect can be turned on or off at any time without affecting the normal operation of the heater.

Heating - Electric heating setting.

Ensure your central heating is OFF. With the heat selector switch set to ELECTRIC

HEATING , set the thermostat knob (behind the lower trim) to the required setting (Setting 3 is approximately 20°C). If required, switch on the DIMENSION flame-effect. If the central heating automatically comes on, the electric heating element will switch off.



Important Safety.

Before undertaking maintenance always isolate the heater from the electricity supply at the fused spur and allow the heater to cool completely.

How do I clean my heater?

The heater and plastic parts need only to be wiped clean with a dry soft cloth; do not use polishes or abrasive materials. This is especially important when cleaning the effects screen.

How do I clean the filter at the front of the heater?

The filter is located behind the lower trim (See figure 3). The filter is designed to catch long fibres (particularly pet hairs) and prevent them entering the internal workings of the heater. We recommend the filter is inspected on a regular basis, if you have long-haired pets you may need to clean the filter as often as every three months. To prevent long fibres affecting the efficiency of the heater we recommend vacuuming, with a soft brush attachment, across the front grille of the filter each time you vacuum the room.

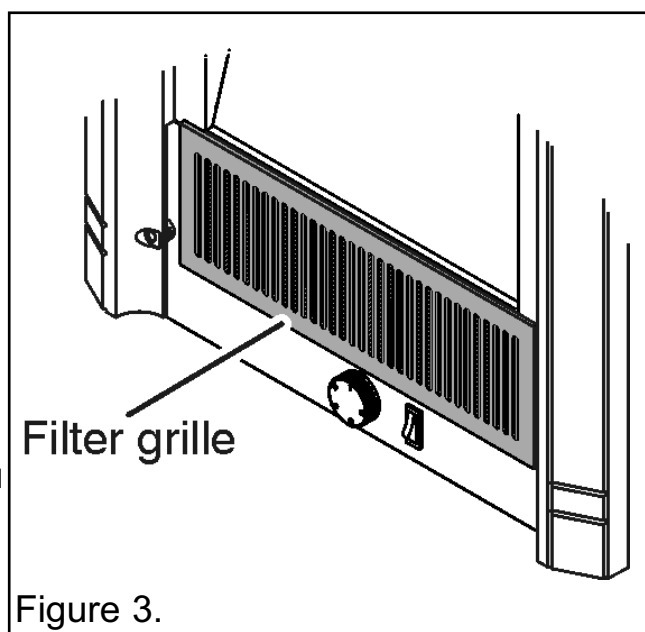


Figure 3.

To remove the filter for cleaning:

Important: For your safety switch off at the fused spur.

1. Lift and remove the lower trim castings.
2. Lift the filter grille in an upward, then forward direction.
3. Lift out the filter medium and clean using either a vacuum cleaner or washing in warm water. Thoroughly dry the filter and refit inside the filter grille.
4. Fit the filter grille to the heater.
5. Replace the lower trim castings

I have a problem with my heater!

For general advice about your heater, to report faults, arrange for your heater to be serviced, or for sales and product information call **0844 8711 565** (National call rates apply in the United Kingdom).

In the Republic of Ireland Telephone **0044 844 8711 565**.

OWNER GUIDE

ENVIRONMENT

Environmental Protection.

Waste electrical products should not be disposed of with household waste. Please recycle where facilities exist. Check with your local authority or retailer for recycling advice.

What should I do when I'm ready to dispose of my heater?



The mains cable should be cut from the heater. This should be disposed of with the heater.

WARRANTY AND SERVICE

Information for the customer

Standard Warranty Terms & Conditions

The warranty is for 1 years subject to contract.

You must register your fire with **heateam**, the service division of Baxi Heating UK Limited, either by completing and returning the registration card or calling our free telephone registration line on **0800 032 72 44**.

Our promise to you

If you experience a fault with your new heater, we aim to provide a safe and high quality repair service supported by our dedicated highly skilled engineers. Nothing in this warranty will affect your statutory rights.

What you need to do if you experience a problem with the operation of the heater;

Read the "Cleaning and maintaining the heater" section. If the problem cannot be resolved simply call our service division heateam on **0844 8711 565**

to book an engineer visit or for any general advice that you may need. Our contact centre is open Monday to Friday 8am – 6pm, weekends and Bank Holidays 8.30am – 2pm, excluding Christmas Day and New Years day.

OWNER GUIDE

When calling **heateam**, it would be helpful if you could have the following information to hand:-

1. Heater serial number (Located on the information label - See figure 4 on page 27)*.
2. Date of installation.
3. Your installer name and address details.
4. Fire make and model number.
5. Proof of purchase (if you do not have the fire serial number).

***Note: Details 1 – 4 should be recorded on pages 26 & 27 at the end of this guide.**

What this warranty covers

Free of charge repair or replacement of components found to be of faulty manufacture.

Free of charge replacement of the complete unit providing the failure is related to a manufacturing fault that cannot be repaired or is uneconomic to repair.

What this warranty does not cover

Repairs to heaters which haven't been installed properly and as set out in this guide.

Faults caused by inadequate supply of electricity, gas or water to the property

Installations into commercial settings for which the Hydroflame[®] Dream was not designed.

Any damage caused by hard water scale deposits and/or aggressive water resulting from corrosion.

Any other defects or failures, either in the connected heating system or outside of the Hydroflame[®] Dream itself.

Reimbursement of any third party repair or replacement costs that we haven't been told about or agreed with you in advance.

Compensation or consequential losses (e.g. loss of earnings, business losses, stress and inconvenience) arising from a production breakdown, including repair delays caused by factors outside our reasonable control.

OWNER GUIDE

To be completed by installer:

Installer Details (Block Capitals)

Installer Name	
Gas Safe Register or Corgi Registration Number.	
Company Name.	
Company Address	
Company Telephone number	
Company Fax number	

OWNER GUIDE

To be completed by the installer:

Model

Serial number (Can be found on the information label - See figure 4)

Fascia name (Block Capitals)

Brand (Please tick)

Baxi

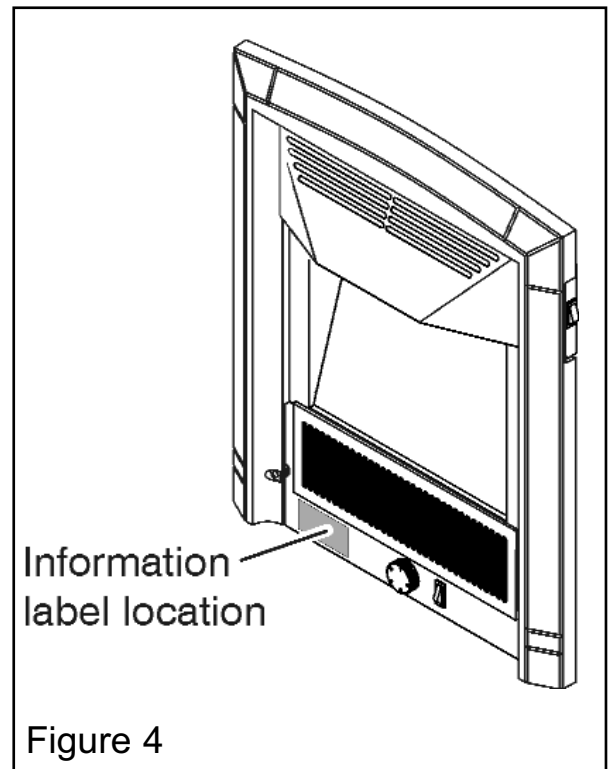
Valor

Wonderfire

Other.....

Date of Installation

D D M M Y Y



VALOR FIRES