

VALOR FIRES

INSTALLER AND OWNER GUIDE

Model 860 Shaftesbury & Eden

COAL EFFECT ELECTRIC STOVE
WITH REMOTE CONTROL

(GC No. EF-032-27)



This guide is intended to help you install and care for your Valor Fires electric stove. Please read carefully before installing and using your stove. However, if further information is required, our

Valor Fires Technical Helpline
will be pleased to help.

Telephone **08706 061 065**

(National call rates apply in the United Kingdom)

In the Republic of Ireland

Telephone **0044 8706 061 065**



BAXI ● VALOR ● WONDERFIRE

Important: Please keep your guide in a safe place for future reference

INSTALLER AND OWNER GUIDE

© Baxi Heating U.K. Limited 2007.

All rights reserved. No part of this publication may be reproduced in any material form (including photocopying), stored in any medium by electronic means (including in any retrieval system or database) or transmitted, in any form or by any means, whether electronic, mechanical, recording or otherwise, without the prior written permission of the copyright owner.

Applications for the copyright owner's permission to reproduce any part of this publication should be made, giving details of the proposed use, to the following address: The Company Secretary, Baxi Heating UK Limited, The Wyvern Business Park, Stanier Way, Derby, DE21 6BF.

Warning: Any person who does any unauthorised act in relation to a copyright work may be liable to criminal prosecution and civil claims for damages.

CUSTOMER CARE

Thank you for choosing Valor Fires

All Valor Fires stoves are designed to meet the most stringent quality, performance and safety requirements to provide our customers with many years of trouble free service.

This guide aims to improve your understanding and appreciation of your new Valor Fires stove, by providing simple and informative instructions to enable you to install it and to ensure that you benefit from the excellent performance and features it has to offer.

If you require further assistance, the **Valor Fires Technical Helpline** will be pleased to help.

Please telephone **08706 061 065** (local rates apply in the United Kingdom). In the Republic of Ireland please telephone **0044 8706 061 065**.

FOR OTHER USEFUL TELEPHONE NUMBERS SEE PAGE 12 OF THIS GUIDE.

VALOR FIRES

Valor Fires, Erdington, Birmingham B24 9QP.

www.firesandstoves.co.uk

Because our policy is one of constant development and improvement, details may vary slightly from those given in this publication

INSTALLER AND OWNER GUIDE

Safety First.

Valor Fires stoves are CE Approved and designed to meet the appropriate British Standards and Safety Marks.



HANDLING AND UNPACKING

Before continuing any further with the installation of this stove please read the following:

Important instructions.

- The approximate lifting weight of the stove is 12kg (Including coal).
- One person should be sufficient to lift the stove. If for any reason this weight is considered too heavy then obtain assistance.
- When lifting always keep your back straight. Bend your legs and not your back.
- Avoid twisting at the waist. It is better to reposition your feet.
- Avoid upper body / top heavy bending. Always bend from the knees rather than the waist. Do not lean forward or sideways whilst handling the stove.
- Always grip with the palm of the hand. Do not use the tips of fingers for support.
- Always keep the stove as close to the body as possible. This will minimise the cantilever action.
- Use gloves to provide additional grip.
- Always use assistance if required.

INSTALLER AND OWNER GUIDE

SAFETY

Always

- **Always** install the stove in accordance with this guide. If in doubt obtain expert advice.
- **Always** make sure the electrical socket is accessible and located adjacent to, but not above or behind the stove.
- **Always** disconnect the stove from the electrical supply before carrying out cleaning, maintenance or replacing the lamp.
- **Always** use a fireguard when young children and infirm persons can come into contact with the stove.
- **Always** use genuine Valor Fires spares.

Never

- **Never** leave children unsupervised in a room where the stove is ON and unguarded.
- **Never** obstruct or cover the fan outlet or force items into stove openings.
- **Never** install or use the stove anywhere where water is in use, i.e. Bathrooms, Kitchens, Shower Rooms, Swimming Pools etc.
- **Never** use aerosols or steam cleaners on or around the stove.
- **Never** route the electric cable under carpet etc.
- **Never** install the stove close to curtains or combustible materials.
- **Never** use the stove to dry clothes etc.
- **Never** sit or stand on the stove.

POSITIONING THE STOVE

Please read this guide thoroughly before positioning the stove.

Do I need any tools?

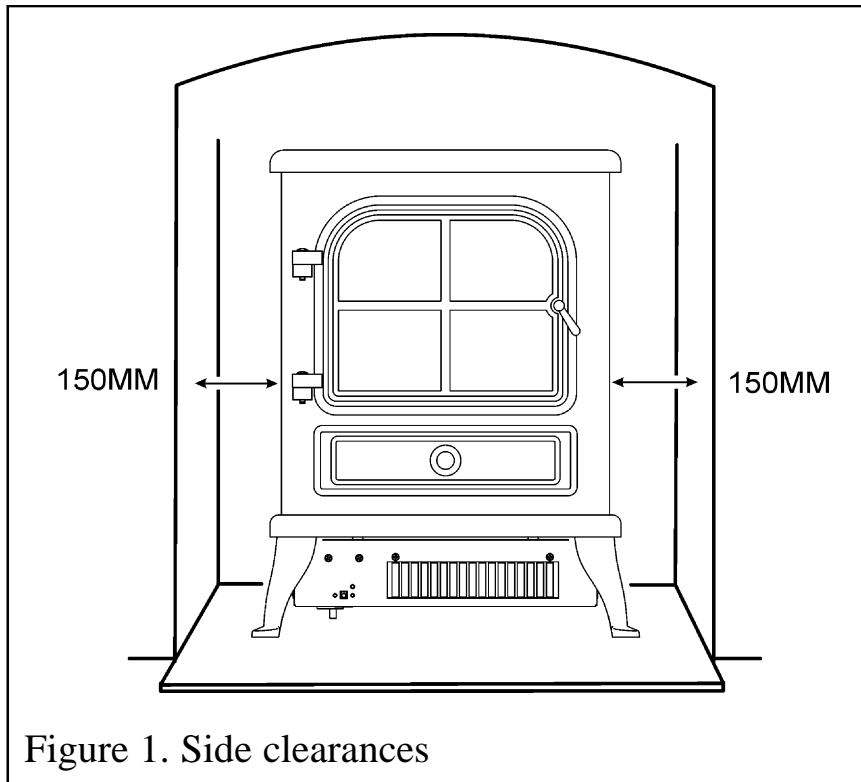
A Philips or cross head screwdriver is required when fitting the legs to the stove.

Where can I position the stove?

The stove is designed to be free standing on a hard level surface. When positioning please bear the following points in mind:

- If you are placing the stove in an alcove, make sure that there is a gap of 150mm to side walls from the sides of the stove. This will ensure good air circulation (See figure 1).

INSTALLER AND OWNER GUIDE



- The heating element is mounted on the underside of the stove. It is important that the air supply to the heating element is not obstructed in any way. The stove can be placed on smooth, flat surfaces. The stove must not be placed on surfaces such as carpet that reduce the gap between the floor level and the underside of the stove.
- Keep hearth rugs and other soft furnishings etc. away from the front of the stove. They could obstruct the free flow of hot air from the fan and damage both soft furnishings and the stove.
- Although the stove complies with all the applicable safety standards, some kinds of floor coverings (e.g. vinyl tiles, synthetic deep pile carpets) may be affected by the hot air from the fan. We suggest in these instances that you place the stove on a shallow plinth that projects 150mm forward of the front feet.

INSTALLER AND OWNER GUIDE

Important Electrical Safety

The stove must **not** be located in front of or under an electrical socket, the socket must always be accessible in order to disconnect the stove from the electrical supply for maintenance and cleaning.

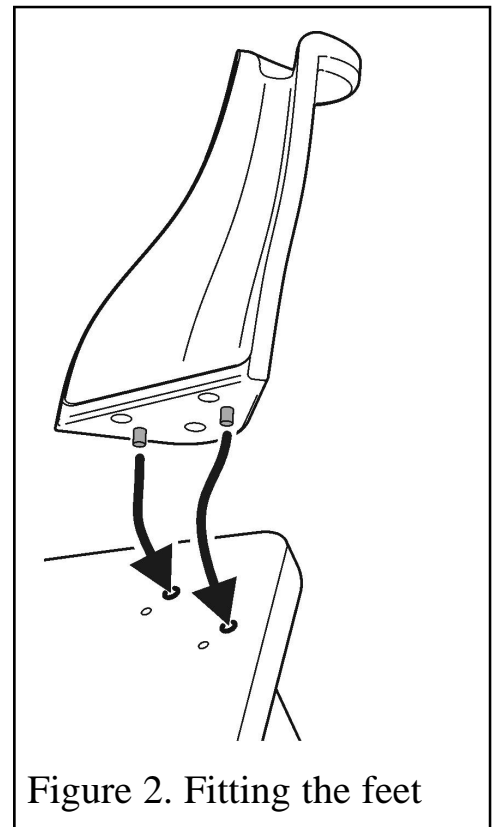
Important! This stove must be earthed.

- The stove is supplied with a 3 pin 13 Amp fused re-wireable plug with 1mm² 3 core cable.
- The wires in the cable are coloured in accordance with the following code: -
 - Live = Brown
 - Neutral = Blue
 - Earth = Green / Yellow
- The electric supply must be safely routed from the stove to an electrical socket.

If the electric cable is damaged, to avoid a hazard it must be replaced by a Valor Fires authorised service agent, or similarly qualified person (See pages 12-14). All external wiring between the stove and the electrical supply shall comply with current IEE regulations.

Fitting the legs.

The stove is supplied with the four legs removed in order to prevent damage during transportation. Each leg has raised lugs that locate into holes in the base of the stove (See figure 2). Locate the legs and secure in place using the screws supplied.



INSTALLER AND OWNER GUIDE

Fitting the door.

The stove is supplied with the door removed in order to prevent damage during transportation. Stand the stove on its legs. Unpack the door and hinge pins. Locate the door over the stove hinges and secure in place by firmly pushing a hinge pin into each hinge (See figure 3).

Fitting the loose coal.

- We recommend that the floor is protected with a suitable covering to prevent staining or discolouration by the coals.
- Open the pack of loose coal and position the coal on top and in front of the plastic fuel bed. Arrange the coal to your liking. It is not necessary to use all of the coal.

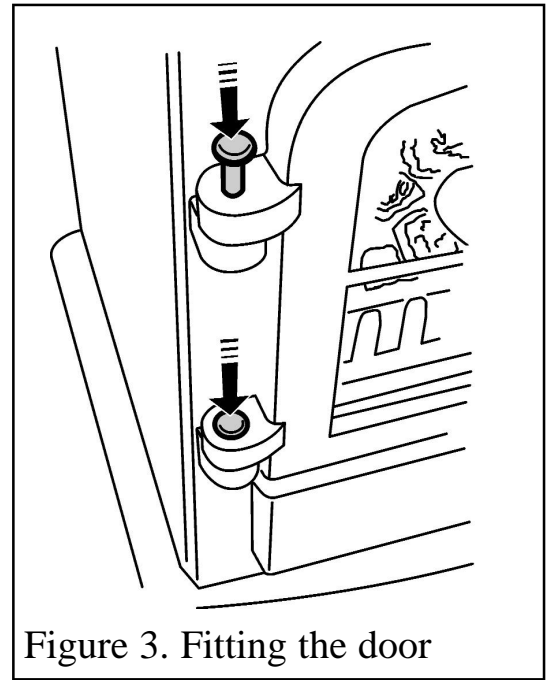


Figure 3. Fitting the door

Fitting the batteries to the Remote Control Handset.

The remote control handset uses 2 x 1.5V AAA type batteries. For longer battery life use only alkaline batteries. To install the batteries, slide the cover down on the rear of the handset and remove. The polarity of the batteries is marked on the inside of the battery compartment.

If the stove does not respond to the remote control handset commands, it is likely that the batteries require replacement.

Please fill in the details on pages 13 & 14.

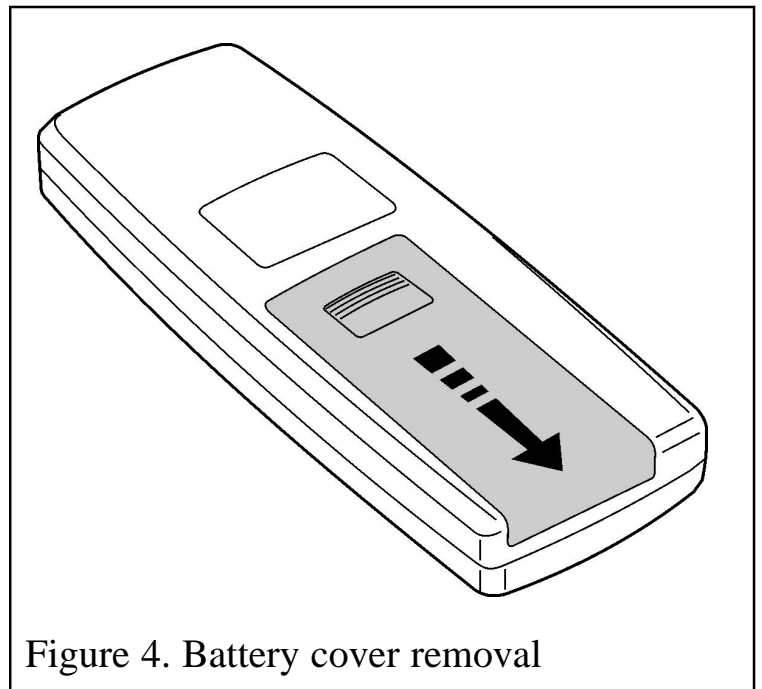


Figure 4. Battery cover removal

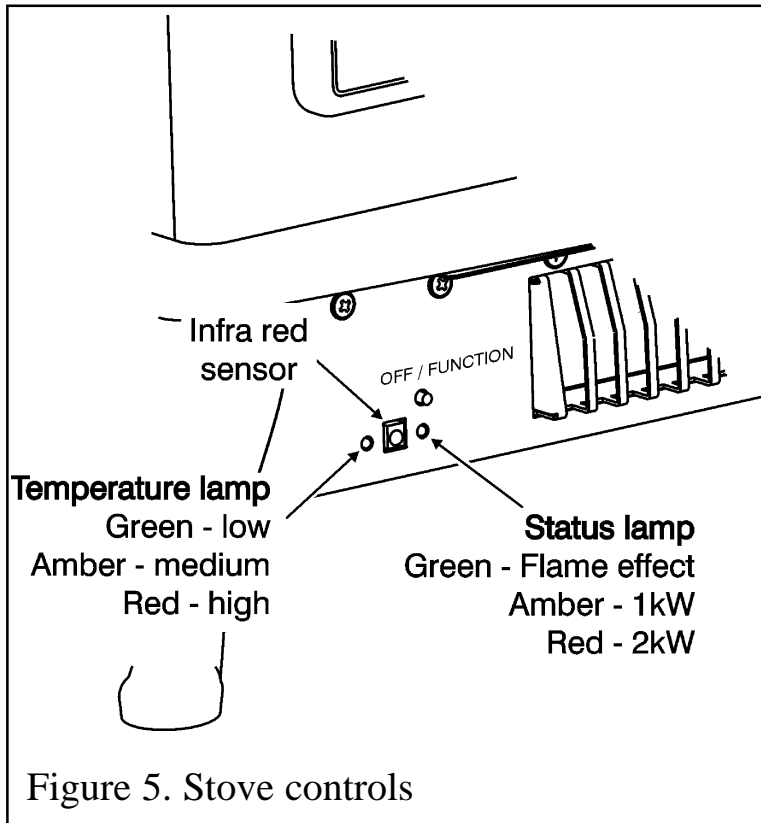
INSTALLER AND OWNER GUIDE

OPERATING THE STOVE

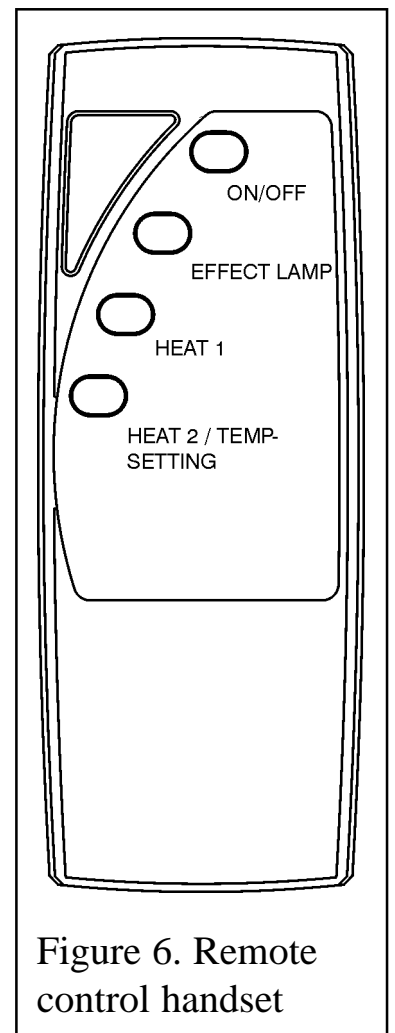
Never cover the stove or obstruct the opening at the base of the stove, this could cause overheating and consequent risk of fire.

The appliance can be controlled by the manual control located on the left hand side of the stove outlet or by using the remote control handset.

Stove Controls



Remote Control Handset



INSTALLER AND OWNER GUIDE

What do the buttons control?

Remote Control

Press red 'ON' button.

To activate the remote handset it is necessary to press the red ON button.

Press effect button.

Pressing and holding the button will vary the brightness of the flame effect.

The brightness of the flame effect will always return to preset level when the stove has been switched off.

Pressing and releasing the effect button for a second time will turn the effect off.

Press the 'Heat 1' button.

This turns the flame effect and 1kW heater on. Both the status lamp and temperature lamp turn amber.

The thermostat will maintain the room temperature to an average of approximately 22°.

Press 'Heat 2 / Temp Setting' button. (This is an ideal setting for quickly warming a cold room)

This turns the flame effect and 2kW heater on. The status lamp turns red and the temperature lamp turns amber.

Pressing and holding the button will adjust the temperature range and temperature lamp as below:

<u>Temperature lamp colour</u>	<u>Temperature range</u>	<u>Approximate temperature</u>
Green	Low	16°
Amber	Medium	22°
Red	High	35°


Press red button.

Turns stove Off.

INSTALLER AND OWNER GUIDE

What does the button control?

Manual Control

● — Button
Temperature Lamp — ●  ● — Status Lamp

Press button once.

This turns the flame effect on and turns the status lamp green. The flame effect will come on at half its available brightness.

Pressing and holding the button in will vary the brightness of the flame effect.

The brightness of the flame effect will always return to preset level when the stove has been switched off.

Press button twice.

This turns the flame effect and 1kW stove on. Both the status lamp and temperature lamp turn amber.

The thermostat will maintain the room temperature to an average of approximately 22°.

Pressing and holding the button will adjust the temperature range and temperature lamp as below:

<u>Temperature lamp colour</u>	<u>Temperature range</u>	<u>Approximate temperature</u>
Green	Low	16°
Amber	Medium	22°
Red	High	35°

The heater cycles between 1 and 2 kW to maintain the temperature.

Press button three times. (This is an ideal setting for quickly warming a cold room)

This turns the flame effect and 2kW heater on. The status lamp turns red and the temperature lamp turns amber.

Pressing and holding the button will adjust the temperature range and temperature lamp as below:

<u>Temperature lamp colour</u>	<u>Temperature range</u>	<u>Approximate temperature</u>
Green	Low	16°
Amber	Medium	22°
Red	High	35°

Press button four times.

Turns stove Off.

Important Safety.

Before undertaking maintenance or replacing the lamp always disconnect the stove from the electricity supply by removing the 3 pin plug and allowing the stove to cool.

How do I Clean my stove?

The stove and plastic parts need only to be wiped clean with a dry soft cloth, do not use polishes or abrasive materials.

I have a problem with my stove!

1. My stove functions manually but not by the remote control.

The batteries in the remote control handset probably need replacing. See page 7.

2. My stove is on but there is no light / low light.

This is possibly a lamp failure. Remove the lamp as in the following section and check it in a table lamp that is known to work. If it does not work in the table lamp then it needs replacing as in the following sections.

The lamp fitted to this stove is a 60Watt B22, 230Volt clear bayonet lamp. Due to the indeterminate life span and ease of replacement, they are specifically excluded from the guarantee.

To replace the lamp.

- We recommend that the floor is protected with a suitable covering to prevent staining or discolouration by the coals.
- Open the door by pulling on the handle.
- Remove all of the loose coal pieces from the top and front of the fuel support. Be careful not to place the coal pieces onto decorative surfaces as they may cause staining or discolouration.
- Move the fuel bed forward and upward out of the way; you may have to hold the fuel effect up whilst replacing the lamp.
- Remove the faulty bulb.
- Fit the new bulb.
- Relocate the fuel effect.
- Place the loose coal pieces on top and in front of the plastic fuel bed.
- Close the stove door.

INSTALLER AND OWNER GUIDE

3. My stove is switched on but there is no light, fan or heat.

The first thing to do is check the wall socket. To do this plug in a known working appliance. If the appliance you have plugged in works then there is a good chance that the problem lies with the 13 Amp fuse in the stove plug. If either fuse or socket is suspected, have them checked by an electrician.

4. My stove is on but there is no heat.

- Check that the temperature lamp colour is at a setting above your ambient room temperature.

<u>Temperature lamp colour</u>	<u>Temperature range</u>	<u>Approximate temperature</u>
Green	Low	16°
Amber	Medium	22°
Red	High	35°

- Alternatively a cut out device is fitted to the stove to prevent damage due to over heating. If it operates due to an obstruction in the airflow, the stove must be turned off and allowed to cool for 15 minutes and the obstruction removed before restarting.

5. I Have a problem that is different to those in the previous examples 1- 4.

Below is a list of Useful Telephone numbers

For general advice about your stove:

VALOR FIRES TECHNICAL HELPLINE 08706 061 065.

To report faults or arrange for your stove to be serviced:

VALOR FIRES SERVICE 08706 090 081.

For sales or product information:

VALOR FIRES SALES 08706 061 067.

CALLERS IN THE REPUBLIC OF IRELAND

Call 0044 8706 061 065

For spares inquiries

Spare parts are available nationwide via the ‘interpart stockist network’. For your local stockist consult Yellow pages under ‘Central Heating’.

When ordering spare parts please have the below information available. This will help us to deal with your call quicker and avoid you having to make a second call.

- Your Post Code
- Type of Stove (Electric or gas)
- The fault, problem or request.

INSTALLER AND OWNER GUIDE

- Model, Name and serial number (This information can be found on a small label at the bottom left of the stove - see figure 7).

WARRANTY AND SERVICE

To be completed by the customer:

Model

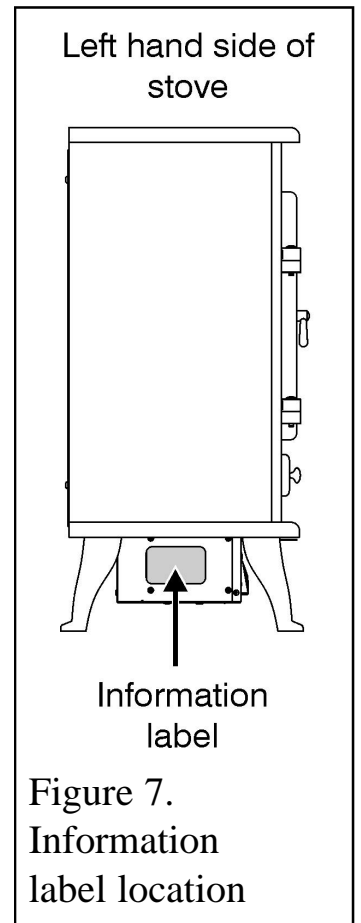
Serial number (Can be found on the information label - See figure 7)

A LABEL CONTAINING THE SERIAL NUMBER MAY HAVE BEEN PLACED INSIDE THIS BOX.

Fascia name (Block Capitals)

Fascia code - Can be found on information plate (Block Capitals)

A LABEL CONTAINING THE FASCIA CODE MAY HAVE BEEN PLACED INSIDE THIS BOX.



INSTALLER AND OWNER GUIDE

Brand (Please tick)

Baxi

Valor

Wonderfire Other.....

Date of Installation

D D M M Y Y

Standard Warranty Terms & Conditions

The warranty is for 12 months subject to contract.

In the United Kingdom servicing can be carried out either by a **heateam** service engineer or a CORGI registered installer.

You must register your stove with **heateam**, the service division of Baxi Heating UK Limited, either by completing and returning the registration card or calling our free telephone registration line on **0800 032 72 44**.

Our promise to you

If you experience a fault with your new stove, we aim to provide a safe and high quality repair service supported by our dedicated national network of highly skilled engineers. Nothing in this warranty will affect your statutory rights.

What you need to do if you experience a problem with the operation of the stove;

Read the following section of this guide “Resolving problems and cleaning”. If the problem cannot be resolved simply call our service division **heateam** on **08706 090 081** to book an engineer visit or for any general advice that you may need. Our contact centre is open Monday to Friday 8am – 6pm, weekends and Bank Holidays 8.30am – 2pm, excluding Christmas Day and New Years day.

When calling **heateam**, it would be helpful if you could have the following information to hand:-

1. Stove serial number
2. Stove make and model number
3. Date of installation

INSTALLER AND OWNER GUIDE

4. Proof of purchase (If you do not have the stove serial number)

Note; details 1 – 3 can be found at the start of this section of the guide.

What this warranty covers

Free of charge repair or replacement of components found to be of faulty manufacture.

Free of charge replacement of the complete unit providing the failure is related to a manufacturing fault that cannot be repaired or is uneconomic to repair.

What this warranty does not cover

Repairs to heaters which haven't been installed properly and as set out in this guide.

Faults caused by inadequate supply of electricity.

Reimbursement of any third party repair or replacement costs that we haven't been told about or agreed with you in advance.

Compensation or consequential losses (e.g. loss of earnings, business losses, stress and inconvenience) arising from a production breakdown, including repair delays caused by factors outside our reasonable control.

ENVIRONMENT

What should I do when I'm ready to dispose of my stove?

The plug should be removed from the mains cable and the mains cable cut from the stove. These should be disposed of with the stove.

Environmental Protection.



Waste electrical products should not be disposed of with household waste. Please recycle where facilities exist. Check with your local authority or retailer for recycling advice.