



INSTALLER AND OWNER GUIDE

Please keep me in a safe place for future use.

Model 855 Dimension Electric Heater.

Fitted with a **Blenheim** fascia.

(GC No. EF-032-42)

This guide is intended to help you install and care for your Valor electric heater. Please read carefully before installing and using your heater. However, if further information is required, our **Valor Technical Helpline** will be pleased to help. Telephone **0844 8711 565** (National call rates apply in the United Kingdom). In the Republic of Ireland Telephone **0044 844 8711 565**.

Need to know your **Serial number?**

You can find it on the last page of this guide.



INSTALLER AND OWNER GUIDE

© GDC Group Ltd. 2011.

All rights reserved. No part of this publication may be reproduced in any material form (including photocopying), stored in any medium by electronic means (including in any retrieval system or database) or transmitted, in any form or by any means, whether electronic, mechanical, recording or otherwise, without the prior written permission of the copyright owner.

Applications for the copyright owner's permission to reproduce any part of this publication should be made, giving details of the proposed use, to the following address: The Marketing Communications Manager, GDC Group Ltd, Millbrook House, Grange Dive, Hedge End, Southampton, SO30 2DF.

Warning: Any person who does any unauthorised act in relation to a copyright work may be liable to criminal prosecution and civil claims for damages.

Because our policy is one of constant development and improvement, details may vary slightly from those given in this publication

Safety First.

Valor heaters are CE Approved and designed to meet the appropriate British Standards and Safety Marks.



Quality and Excellence.

All Valor heaters are manufactured to the highest standards of quality and excellence and are manufactured under a BS EN ISO 9001 quality system accepted by the British Standards Institute.



INSTALLER AND OWNER GUIDE

CUSTOMER CARE

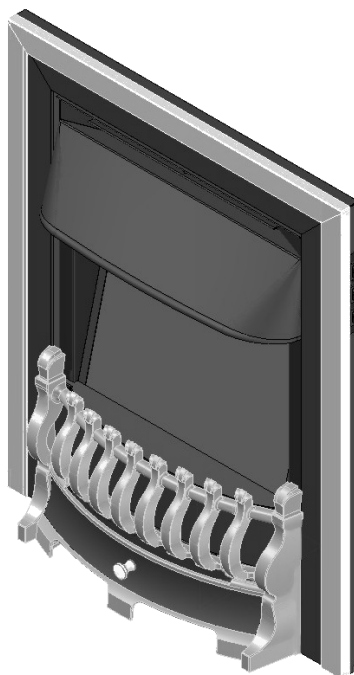
Thank you for choosing Valor.

All Valor heaters are designed to meet the most stringent quality, performance and safety requirements to provide our customers with many years of trouble free service. This guide aims to improve your understanding and appreciation of your new Valor heater, by providing simple and informative instructions to enable you to install it and to ensure that you benefit from the excellent performance and features it has to offer.

If you require further assistance, the **Valor Technical Helpline** will be pleased to help.

Please telephone **0844 8711 565** (local rates apply in the United Kingdom). In the Republic of Ireland please telephone **0044 844 8711 565**.

1. IMAGE



INSTALLER AND OWNER GUIDE

2. HANDLING AND UNPACKING

Before continuing any further with the installation of this heater please read the following:

Important instructions.

- The approximate lifting weights (kg) of the heater parts are listed below:

<u>Model</u>	<u>Heat engine</u>	<u>Fascia</u>	<u>Firefront & ash pan</u>	<u>Optional Spacer</u>
Blenheim	7.6	2.0	3.5	1.0*

*See section 4.

- One person should be sufficient to lift the heater. If for any reason this weight is considered too heavy then obtain assistance.
- When lifting always keep your back straight. Bend your legs and not your back.
- Avoid twisting at the waist. It is better to reposition your feet.
- Avoid upper body / top heavy bending. Always bend from the knees rather than the waist. Do not lean forward or sideways whilst handling the heater.
- Always grip with the palm of the hand. Do not use the tips of fingers for support.
- Always keep the heater as close to the body as possible. This will minimise the cantilever action.
- Use gloves to provide additional grip.
- Always use assistance if required.

3. SAFETY

This appliance is not intended for use by persons (including children) with reduced physical, sensory or mental capabilities, or lack of experience and knowledge, unless they have been given supervision or instruction concerning use of the appliance by a person responsible for their safety.

Children should be supervised to ensure that they do not play with the appliance

Always

- **Always** install the heater in accordance with this guide. If in doubt obtain expert advice.
- **Always** make sure the electrical socket is accessible and located adjacent to, but not above or behind the heater.
- **Always** disconnect the heater from the electrical supply before carrying out cleaning or maintenance.
- **Always** use a fireguard when young children and infirm persons can come into contact with the heater.
- **Always** use genuine Valor spares.

INSTALLER AND OWNER GUIDE

Never

- **Never** leave children unsupervised in a room where the heater is ON and unguarded.
- **Never** use the heater in a small room when occupied by persons not able to leave the room by themselves unless constantly supervised.
- **Never** obstruct or cover the fan outlet or force items into heater openings.
- **Never** install or use the heater anywhere where water or high humidity is in use, i.e. Bathrooms, Kitchens, Shower Rooms and Swimming Pools etc.
- **Never** use aerosols or steam cleaners on or around the heater.
- **Never** route the electric cable under carpet etc.
- **Never** install the heater close to curtains or combustible materials.
- **Never** use the heater to dry clothes etc.
- **Never** sit or stand on the heater.
- **Never** use the heater with a timer switch or similar device.

Important Electrical Safety

The heater must **not** be located in front of or under an electrical socket; the socket must always be accessible in order to disconnect the heater from the electrical supply for maintenance and cleaning.

CAUTION: In order to avoid a hazard due to inadvertent resetting of the thermal cut out, this appliance must **not** be supplied through an external switching device, such as a timer, or connected to a circuit that is regularly switched on and off by the utility.

Important! This heater must be earthed.

- The heater is supplied with a 3 pin 13 Amp fused moulded plug with 1mm² 3 core cable.
- The wires in the cable are coloured in accordance with the following code:-
 - Live = Brown
 - Neutral = Blue
 - Earth = Green /Yellow
- The electric supply must be safely routed from the heater to an electrical socket. If the electric cable is damaged, to avoid a hazard it must be replaced by a Valor authorised service agent, or similarly qualified person. All external wiring between the heater and the electrical supply shall comply with current IEE regulations. Extension leads should not be used.

INSTALLER AND OWNER GUIDE

4. OPTIONAL SPACER FRAME KIT

An optional spacer frame kit is obtainable either from your heater supplier or direct from Valor Sales. The kit is an 75mm deep spacer kit (Kit number 05801T1). This spacer enables the heater to be flat wall fixed.

Spacer frame kit 05801T1.

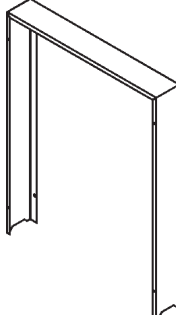

Contents	Quantity	(Illustrations are not to scale)
75mm deep spacer frame	1	
No 8 x 3/8 Self-tapping screws	4	

Figure 1.

5. FASCIA CONTENTS

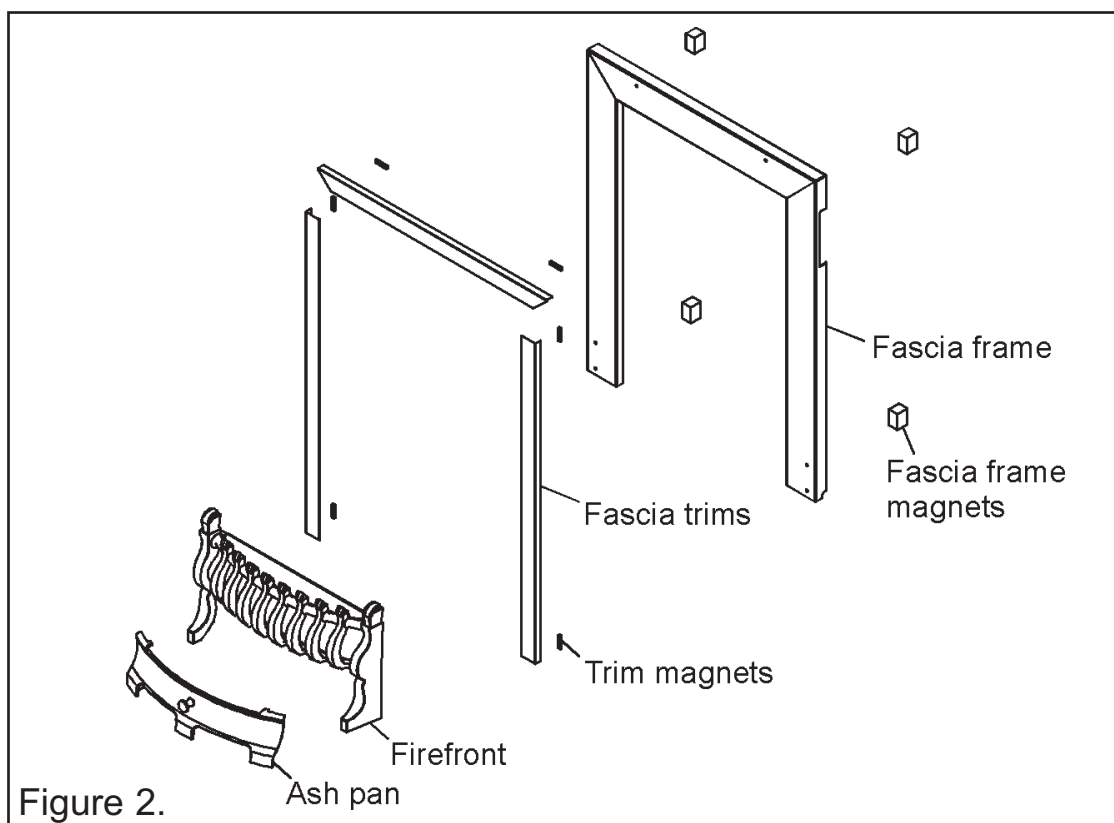


Figure 2.

INSTALLER AND OWNER GUIDE

6. HEATER CONTENTS

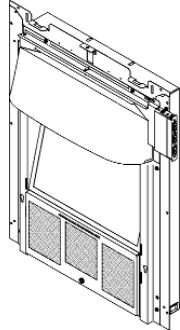


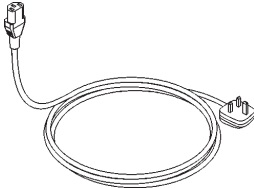
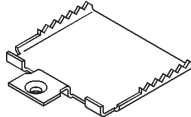




Contents	Quantity	(Illustrations are not to scale)
Heater	1	
No. 8 x 3/8 pan head screw	5	
Tension wire	1	
Mains cable	1	
Securing clamp	1	
M5 x 40mm Securing clamp screw	1	
Screw eye	1	
Wood screw	5	
Wall plug	5	

Figure 3.

INSTALLER AND OWNER GUIDE

7. HEATER DIMENSIONS

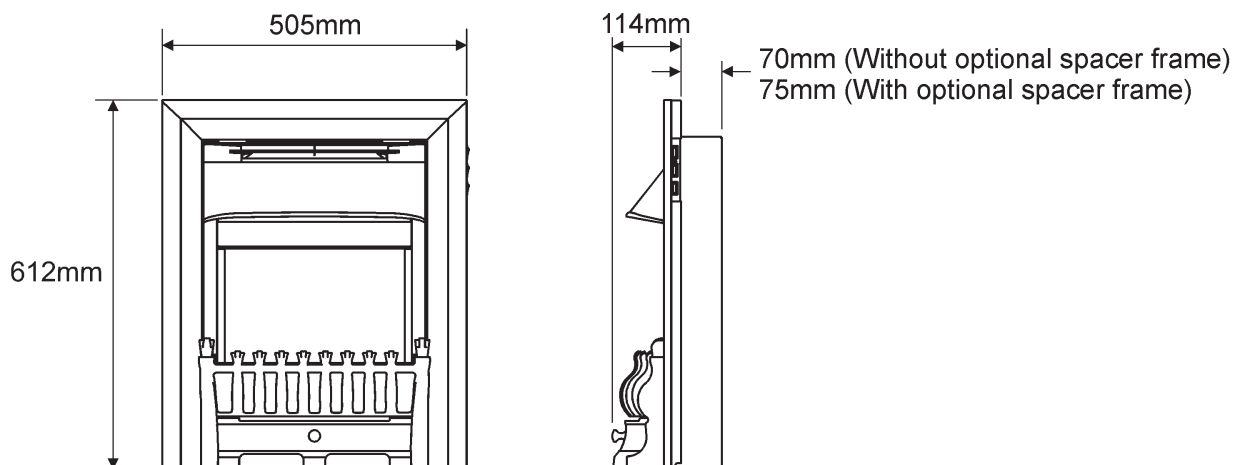


Figure 4. Dimensions (All dimensions are subject to manufacturing tolerances)

8. WHERE AND HOW CAN I FIT THE HEATER?

Important: Before continuing with the installation of this heater please ensure that you have completed the information on the last page of this guide.

Please read this section thoroughly before positioning the heater.

Do I need any tools?

Depending upon the chosen method of installation you may need the following tools: -

- For Optional Spacer frame or screw fixed installations you will need a **cross head screwdriver**. This should have a number 2 size tip.
- If wire fixing and drilling into brickwork you will need a power drill (preferably with hammer action) and appropriate size drill bit for the wall plugs supplied.

Where and how can I fit the heater?

Q Can the heater be installed into a 'hole in the wall' (elevated opening)?

A We do not recommend the heater be used for this type of installation.

Q Do you want to fit the heater into a surround or fireplace opening without the optional spacer frame?

A The minimum rebate / depth required is 70mm.

INSTALLER AND OWNER GUIDE

Q Do you want to fit the heater against a flat wall with the base of the heater on a hearth or similar surface?

A You will need to purchase an optional spacer frame kit - See section 4. This spacer enables the heater to be flat wall fixed. The depth of the spacer frame is 75mm.

Q What opening size do you need in the surround or fireplace opening?

A This heater can be fitted into fireplaces or surrounds where the following dimensions are available.

Width	395mm - 450 mm
Height	555mm - 590 mm
Depth	At least 70mm

Q Do you want to fit the heater below a shelf, mantle or similar?

A You will have to allow the clearances as shown below:

The minimum height from the base of the heater to the underside of any shelf made from wood or other combustible materials is detailed below.

- For a shelf up to 150mm deep: Minimum height = 700mm.
- For a shelf deeper than 150mm: 700mm + 12.5mm for every 25mm depth over 150mm (See Figure 5).

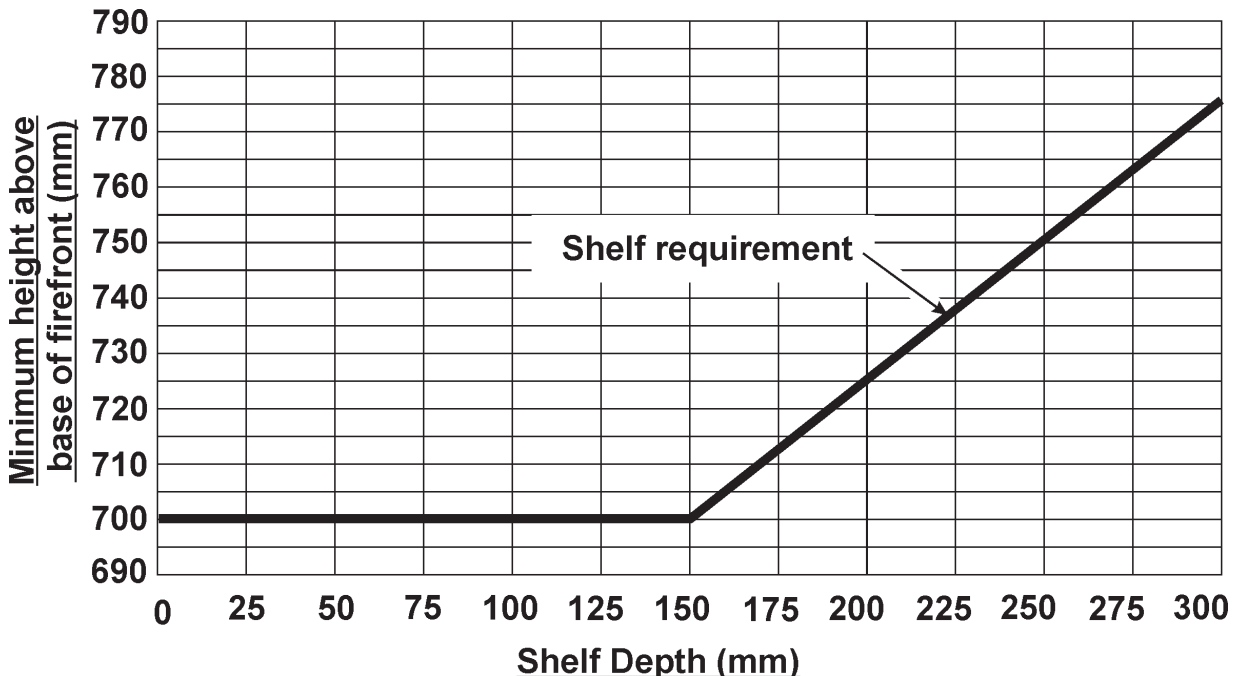


Figure 5. Combustible shelf clearances

INSTALLER AND OWNER GUIDE

Q Do you want to fit the heater directly onto carpet?

A Although the heater can be fitted directly onto carpet we do not recommend this.

The reasons for this are:

- It may be difficult to stand the firefront and ash pan on certain carpets.
- The filter may require more frequent cleaning.
- It is important that rugs and other objects do not obstruct the air openings at the bottom of the heater.

General notes to read before fitting your heater.

- If fitting the heater onto a reflective or shiny surface such as a hearth we recommend that this surface does not extend further than 300mm from the fixing plane (wall). Reflective or shiny surfaces that project further than 300mm may reflect an image of the internal light source.
- When the fuel effect is on, it will be possible to see reflected light and movement behind the outlet louvre at the top of the heater.

Fitting the mains cable.

The heater is supplied with a mains cable assembly that should be connected to the heater prior to installation. The heater connector is located at the rear bottom left (See figure 6).

The mains cable guides.

At the base of the heater you will find two electric cable guides, one each side of the heater. If required, the cable guide on the right hand side (looking from the front of the heater) can be removed and put in the rectangular slot in the centre rear of the heater. For removal and fitting please see the following sections.

Removing the cable guide.

1. Before removing the cable guide please note that the wider part of the cable guide is on the outer edge of the base (See figure 7 - Item 1).
2. To remove the cable guide push and lift the tab on the bottom. The bottom of the cable guide will open (See figure 7 - Item 2).
3. Hold the bottom of the cable guide close to the heater then gently pull the cable guide away from the rectangular slot (See figure 7 - Item 3).

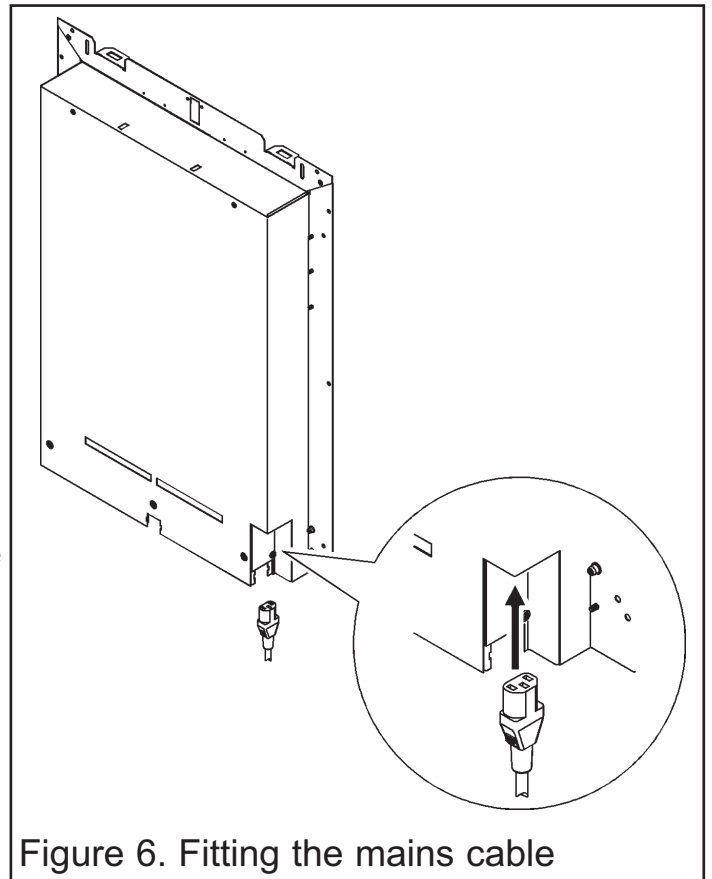


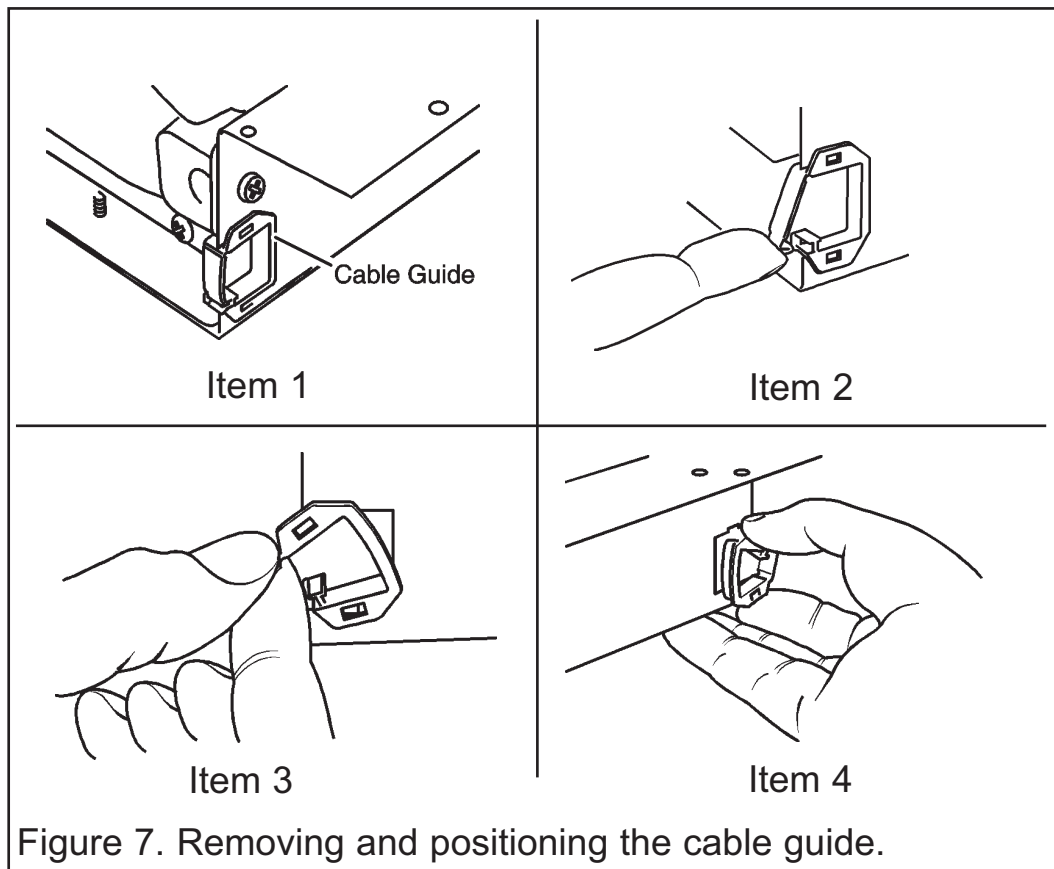
Figure 6. Fitting the mains cable

INSTALLER AND OWNER GUIDE

Fitting the cable guide.

When fitting the cable guide please remember that the wider part of the cable guide has to be fitted against the outer edge of the base (See figure 7 - Item 1).

1. Gently pinch the sides of the cable guide (See figure 7 - Item 4) and push the cable guide into the required rectangular slot.
2. Place the electrical cable into the guides and close the top of the cable guides.



Securing the Heater.

The heater must be secured into position to prevent it from being tipped over.

The following securing options are available:

- **Method A** - Securing the heater with **Screws**.
- **Method B** - Securing the heater with **Wire**.
- **Method C** - Securing the heater using the **Optional Spacer Frame** (kit number **05801T1**).
- **Method D** - Securing the heater using the **Securing clamp**.

If fitting the heater into a fireplace or surround opening, try the heater in the opening to ensure that it will fit.

Never hold the hood / canopy on the front of the heater when lifting.

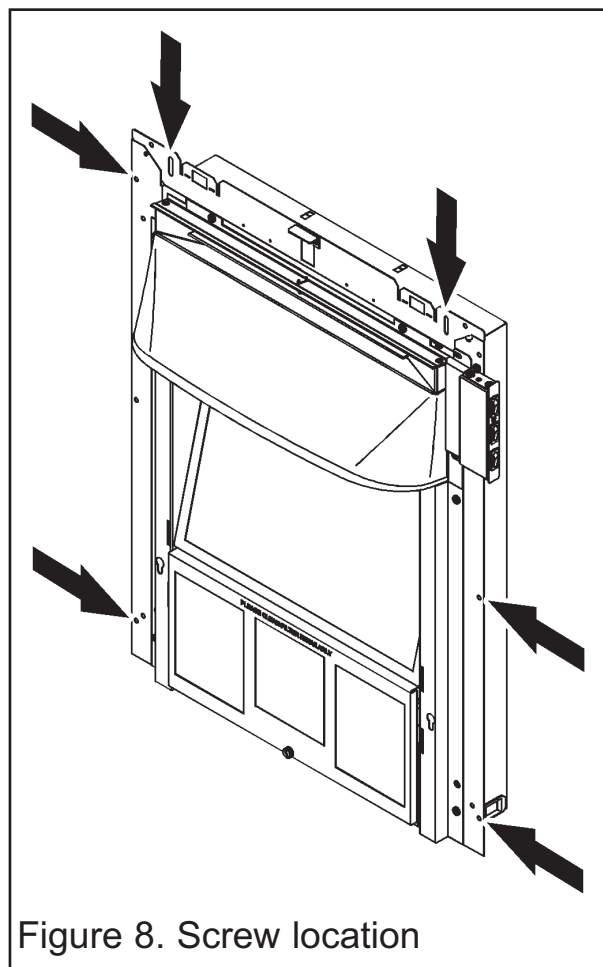
If fitting the heater onto a decorative hearth surface such as marble or tile it is advisable to protect the hearth surface. Do not drag the heater as the surface finish may be damaged.

INSTALLER AND OWNER GUIDE

Method A - Securing with screws.

Note - If fixing to marble it is recommended that Method B - 'Securing with wire' is used. Drilling marble without the correct tools and experience may result in the marble cracking.

1. Place the heater into the fireplace or surround opening. Make sure that the heater is in the middle of the surround or fireplace.
2. There are two slotted holes in the top of the heater and four holes in the side flanges (See figure 8). We recommend the use of two upper holes and two lower holes. Mark through the required holes so that their position is clear when the heater is removed.
3. Remove the heater.
4. Drill an appropriate size hole in each of the marked positions for the wall plugs supplied. Insert wall plugs into the drilled holes.
5. Place the heater so that the holes are in line with the wall plugs in the fixing surface.
6. Screw and secure the heater with four wood screws (See figure 3).

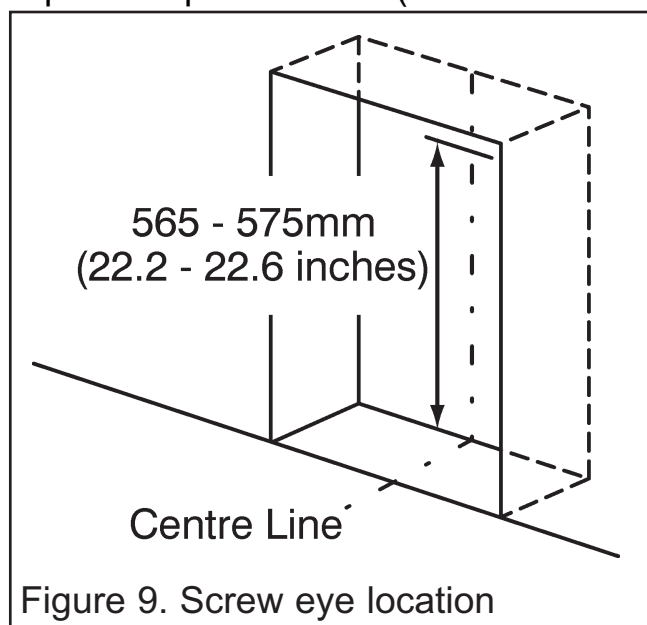


Method B - Securing with wire.

This method of securing is recommended where the wall / brickwork is in poor condition or where marble back panels / surrounds are used.

Although this section deals with fireplace openings without a spacer, this method of securing the heater it can also be used with the optional spacer frame (See method C).

1. The fixing kit supplied with the heater includes a wire and screw eye. These can be used to secure the heater to the back of a surround / fireplace opening.
2. Mark the screw eye position on the centre line at the back of the fireplace opening and at a height of 565-575mm (See figure 9).
3. Drill an appropriate size hole in the marked position.
4. Insert a wall plug into the drilled hole.
5. Screw the screw eye into the wall plug.



INSTALLER AND OWNER GUIDE

6. Position the heater in front of the fireplace opening.

7. At the top of the heater there are four small holes, two each side of the heater. From the front of the heater, thread about 50mm of the wire into the outside small hole on the right side of the heater (See point 1 - figure 10).

8. Thread the other end of the wire through the remaining small hole to the left. Continue to push the wire through this hole until there is only a small loop of wire at the front of the heater (See point 2 - figure 10).

9. At the back of the heater there will be a long piece and a short piece of wire coming through the two holes. Hold the short piece and give the long piece a gentle tug. This will secure the wire. Take the long piece and thread this through the screw eye in the back of the fireplace opening (See figure 10).

10. From the back of the heater thread the long piece of wire through the inner small hole on the left hand side of the heater (See figure 10).

11. Locate the heater in the fireplace opening, then from the front of the heater, gently pull the wire on the right hand side to gather up the excess until the heater is secure. Thread the wire through the remaining small hole to lock the wire and heater in place (See point 4 - figure 10).

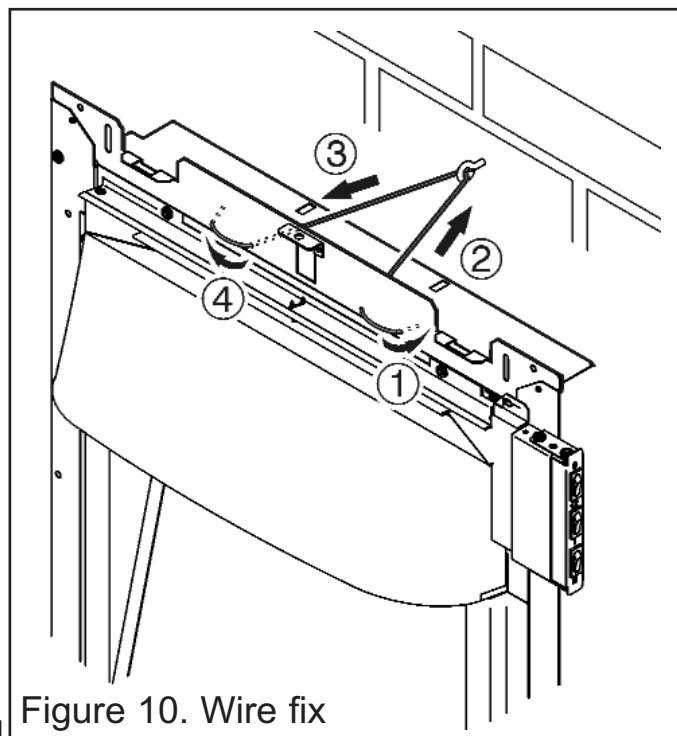


Figure 10. Wire fix

Method C - Securing with the Optional Spacer Frame.

The spacer frame enables the heater to be flat wall fixed. For your safety the frame and heater must be securely fixed to the rear wall / surround.

Fitting the spacer frame

The rear of the spacer has two screw location slots in the top flange. These should be to the rear when fitting.

1. Position the spacer frame against the wall. Ensure that the spacer frame is central to the fireplace.

2. The top rear flange of the spacer frame has two screw locations. Mark the positions of the two screw locations on the rear wall (See figure 11).

3. Remove the spacer frame from the fireplace and place away from the work area.

4. Drill the locations using a suitably sized masonry drill bit for the wall plugs supplied.

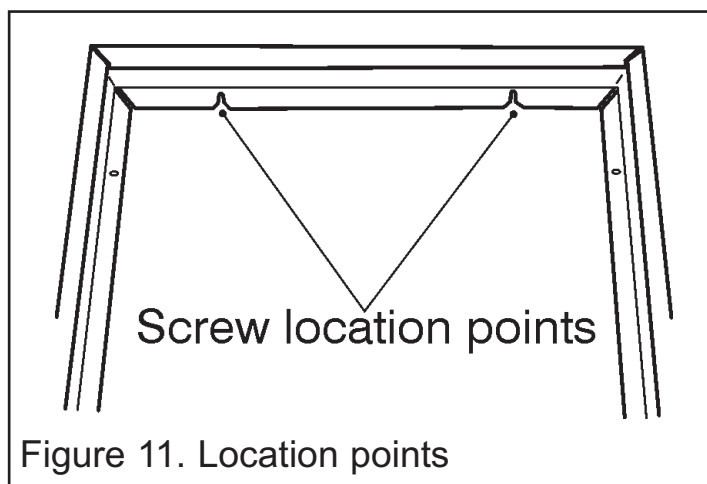


Figure 11. Location points

INSTALLER AND OWNER GUIDE

5. Insert two wall plugs provided into the holes.

6. Insert a woodscrew into each hole and screw in until there is approximately 6mm of screw protruding from the wall.

Preparing the heater for installation.

1. Secure the spacer frames to the heater using four No.8 x 3/8 screws supplied (See figure 12).

Fitting the heater.

1. Carefully lift the heater and locate the slots on the rear of the spacer frame onto the screws in the wall. The screws can be adjusted to ensure a tight fit. When mounting to decorative surfaces such as wallpaper be careful not to drag the heater down the wall as this may damage the decorative surface.

Method D - Securing with the clamp.

This method of securing cannot be used in conjunction with the optional spacer frame. This is an alternative securing method where fixing to a surround or rear wall proves impractical.

1. Locate the clamp as in point 1 of figure 13. Place the screw through the upper bracket on the heater and locate into the clamp - point 2 of figure 13. It is only necessary to locate the screw, do not continue to turn it as this will elevate the clamp.

2. Place the heater into the surround / opening.

3. Rotate the clamp screw clockwise until the heater is secured in the surround / opening. **Where applicable, do not over-tighten the screw as this may deform or cause damage to the surround / back panel.**

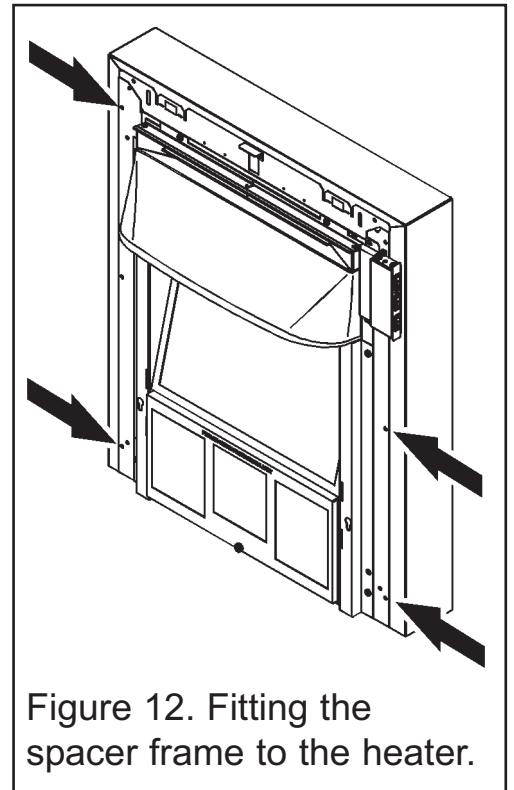


Figure 12. Fitting the spacer frame to the heater.

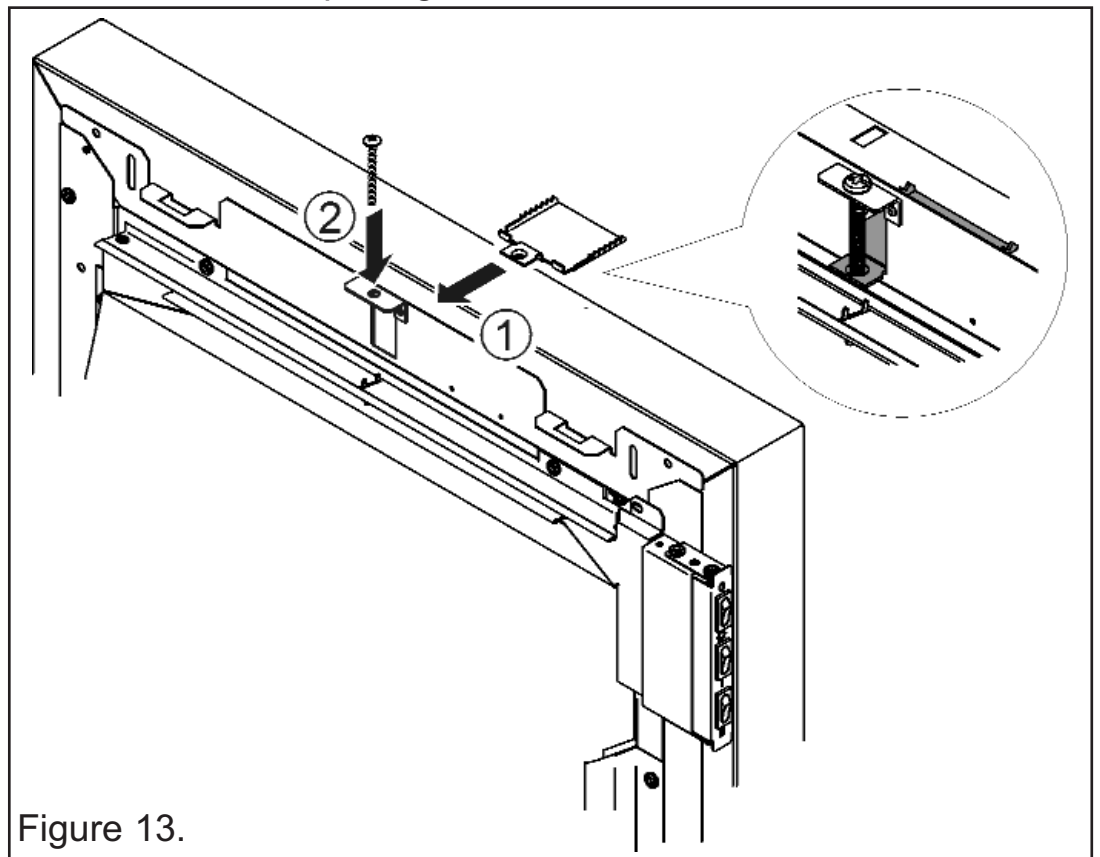


Figure 13.

INSTALLER AND OWNER GUIDE

9. LIGHT SHUTTER ADJUSTMENT

The light shutter is an adjustable plate that increases and decreases the appearance of the flames in the flame effect.

1. Switch on the fuel effect. If you are satisfied with the appearance of the flame effect there is no need to adjust the light shutter.

2. To gain access to the light shutter, unscrew and remove the thumbscrew from the bottom of the filter panel. Gently pull the base of the filter panel forward and down to remove it from the heater (See figure 14). There is a black card baffle in front of the light shutter; hold both sides and gently pull this forward to gain access to the light shutter (See figure 15).

3. To adjust the light shutter, loosen the two screws then lift the shutter to increase the appearance of the flames or lower it to decrease the appearance of the flames (See figure 16).

4. When you have obtained the required flame appearance, tighten the two screws and secure the shutter in place, replace the card baffle and filter panel.

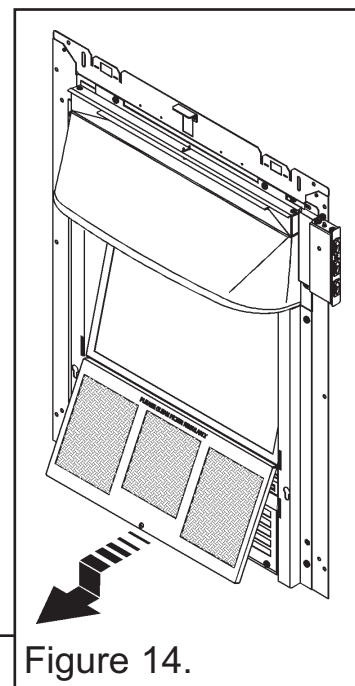


Figure 14.

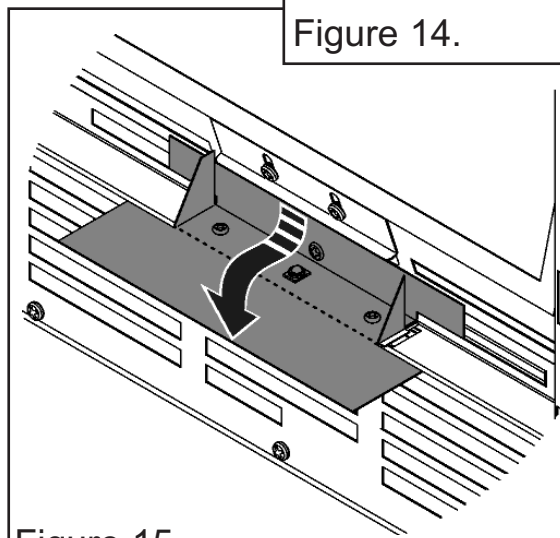


Figure 15.

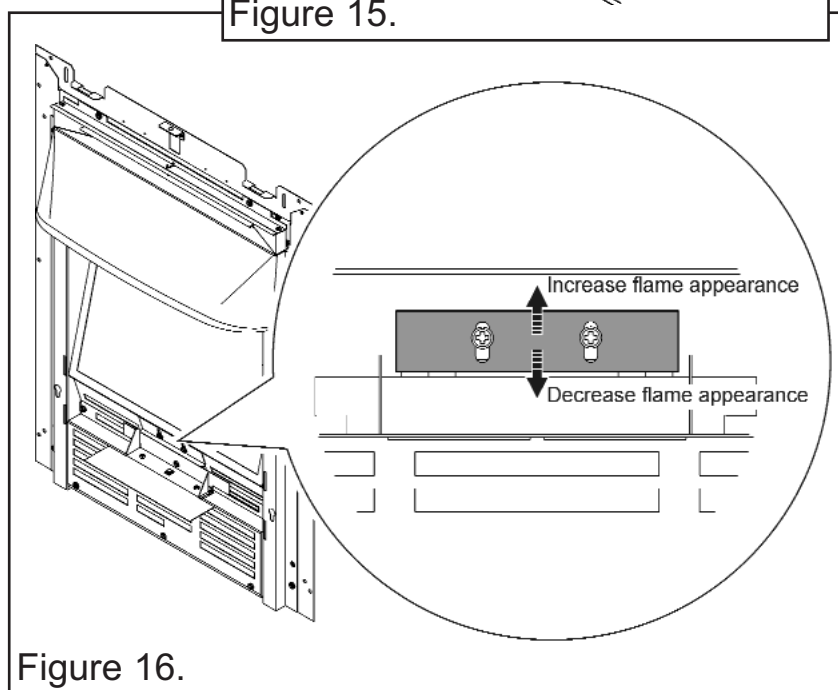
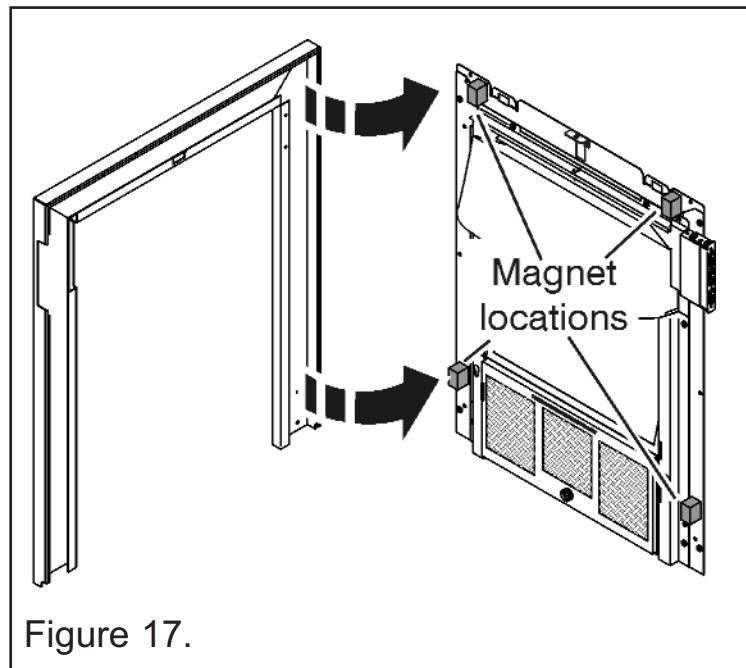


Figure 16.

10. FITTING THE FASCIA

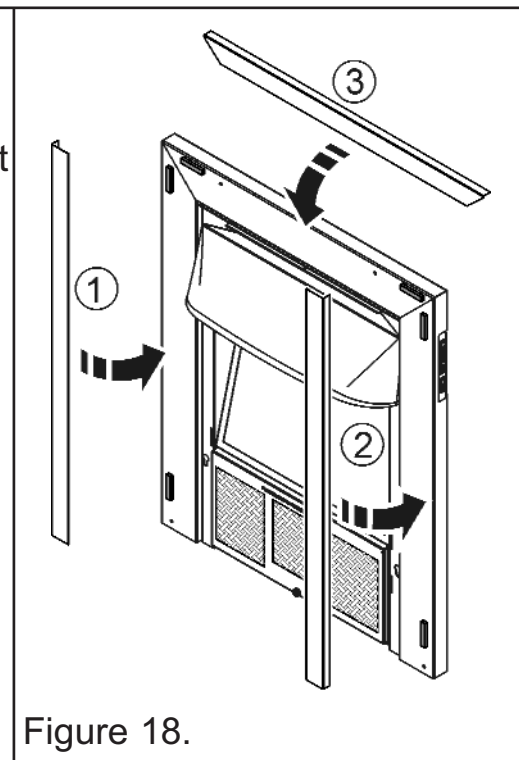
Fitting the Blenheim fascia frame.

1. Remove the fascia frame from its packaging.
2. There are four magnets supplied. Locate the magnets to the heater body (See figure 17). Ensure that they are located correctly before fitting the fascia frame.
3. Locate the fascia frame onto the heater.



Fitting the Blenheim fascia trims.

1. Remove the fascia trims from the packaging.
2. There are six magnets supplied. Locate the magnets to the heater frame (See figure 18). Ensure that they are located correctly before fitting the fascia trims.
3. Locate the fascia trims onto the frame. Ensure that the side trims are located before the top trim.



Fitting the firefront and ash pan.

1. Remove the firefront from its packaging.
2. Locate the firefront casting.
3. Position the ash pan beneath the firefront.

11. OPERATING THE HEATER

Never cover the firefront or obstruct the opening at the base of the firefront, this could cause overheating and consequent risk of fire.

The heater is controlled by three switches located on the upper right hand side (See figure 19).

The heat settings are quoted using a 240V ~ 50Hz supply.

What do the switches do?

The upper switch (The effect switch).

- Pressing the bottom of the switch marked ☀ turns the effect on. An internal fan is used to produce the flickering flame effect, room temperature air will be felt coming from the outlet at the top of the firefront.
- Pressing the top of the switch marked ○ turns the effect off. No air will be felt coming from the outlet at the top of the firefront.

The middle switch (The 675 watt heat switch).

- For the middle switch to work the upper switch has to be in the ☀ position.
- Pressing the bottom of the switch marked | will turn the 675 watt heater on. Warm air will be felt coming from the outlet at the top of the firefront.
- Pressing the top of the switch will turn the 675 watt heater off.

The bottom switch (The 1350 watt heat switch).

- For the bottom switch to work the upper switch has to be in the ☀ position and the middle switch has to be in the | position.
- Pressing the bottom of the switch marked || will turn the 1350 watt heater on. Warm air will be felt coming from the outlet at the top of the firefront.
- Pressing the top of the switch will turn the 1350 watt heater off.

Please note that the 675 watt or 1350 watt switches can be left in the desired positions and the upper switch used as a master on/off switch.

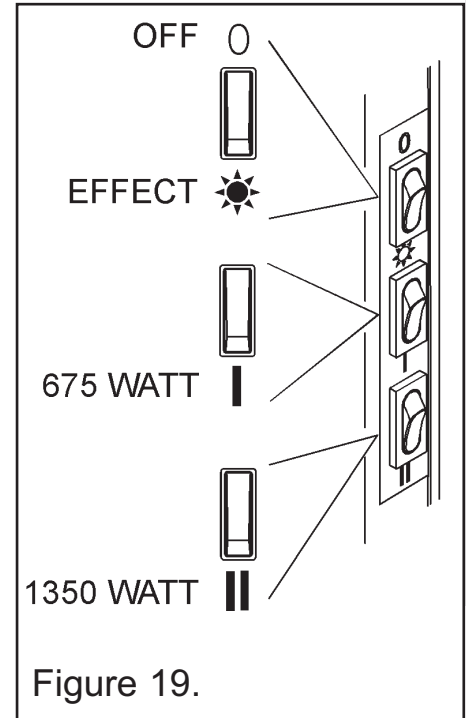


Figure 19.

INSTALLER AND OWNER GUIDE

12. CLEANING THE HEATER

Important Safety.

Before undertaking maintenance always disconnect the heater from the electricity supply by removing the 3 pin plug and allowing the heater to cool.

How do I Clean my heater?

The heater and plastic parts need only to be wiped clean with a dry soft cloth; do not use polishes or abrasive materials. This is especially important when cleaning the effects screen.

Cleaning the filter panel.

The filter panel requires regular cleaning. We recommend cleaning the filter at least once a month. The filter may require cleaning more frequently depending upon use. To gain access to the filter remove the ash pan and lower firefront casting. It is not necessary to remove the filter for cleaning. Clean the filter using a vacuum fitted with a soft brush attachment. Do not apply pressure to the filter as this may cause damage.

13. HELP AND ADVICE

I have a problem with my heater!

1. My heater is switched on but there is no effect or heat.

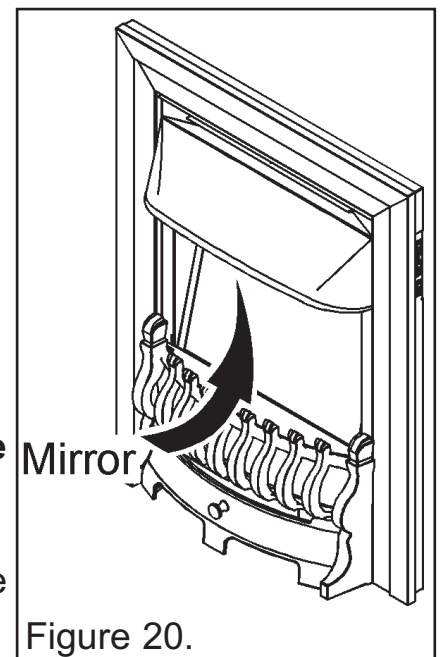
The first thing to do is check the wall socket. To do this plug in a known working appliance. If the appliance you have plugged in works then there is a good chance that the problem lies with the 13 Amp fuse in the heater plug. If either fuse or socket is suspected, have them checked by an electrician.

2. My heater is on, I have selected a heat setting but there is no heat, just the effect.

A cut out device is fitted to the heater to prevent damage due to over heating. If it operates due to an obstruction in the airflow, the heater must be turned off and allowed to cool for 15 minutes and the obstruction removed before restarting. Check that the filter panel is clean (See 'cleaning the filter panel' above).

3. I have dark areas in the fuel effect of my heater or the fuel effect is not as bright as it was when new.

There is a mirror fitted to the rear of the hood / canopy at the front of the heater and this may need cleaning. Wipe the mirror with a clean, dry non abrasive cloth (See figure 20).



INSTALLER AND OWNER GUIDE

4. I have a problem that is different to those in the previous examples 1- 3.

For general advice about your heater, to report faults, arrange for your heater to be serviced, or for sales and product information call 0844 8711 565. Callers in the Republic of Ireland please telephone 0044 844 8711 565.

For spares inquiries

Spare parts are available nationwide via the 'interpart stockist network'. For your local stockist consult Yellow pages under 'Central Heating'.

When ordering spare parts for your heater please have the below information available. This will help us to deal with your call quicker and avoid you having to make a second call.

- Your Post Code
- The fault, problem or request.
- Model, Name and serial number (This information should have been recorded on the last page of this guide and can also be found on a small label attached to the filter panel of the heater (See figure 22))

14. ENVIRONMENT

Environmental Protection.



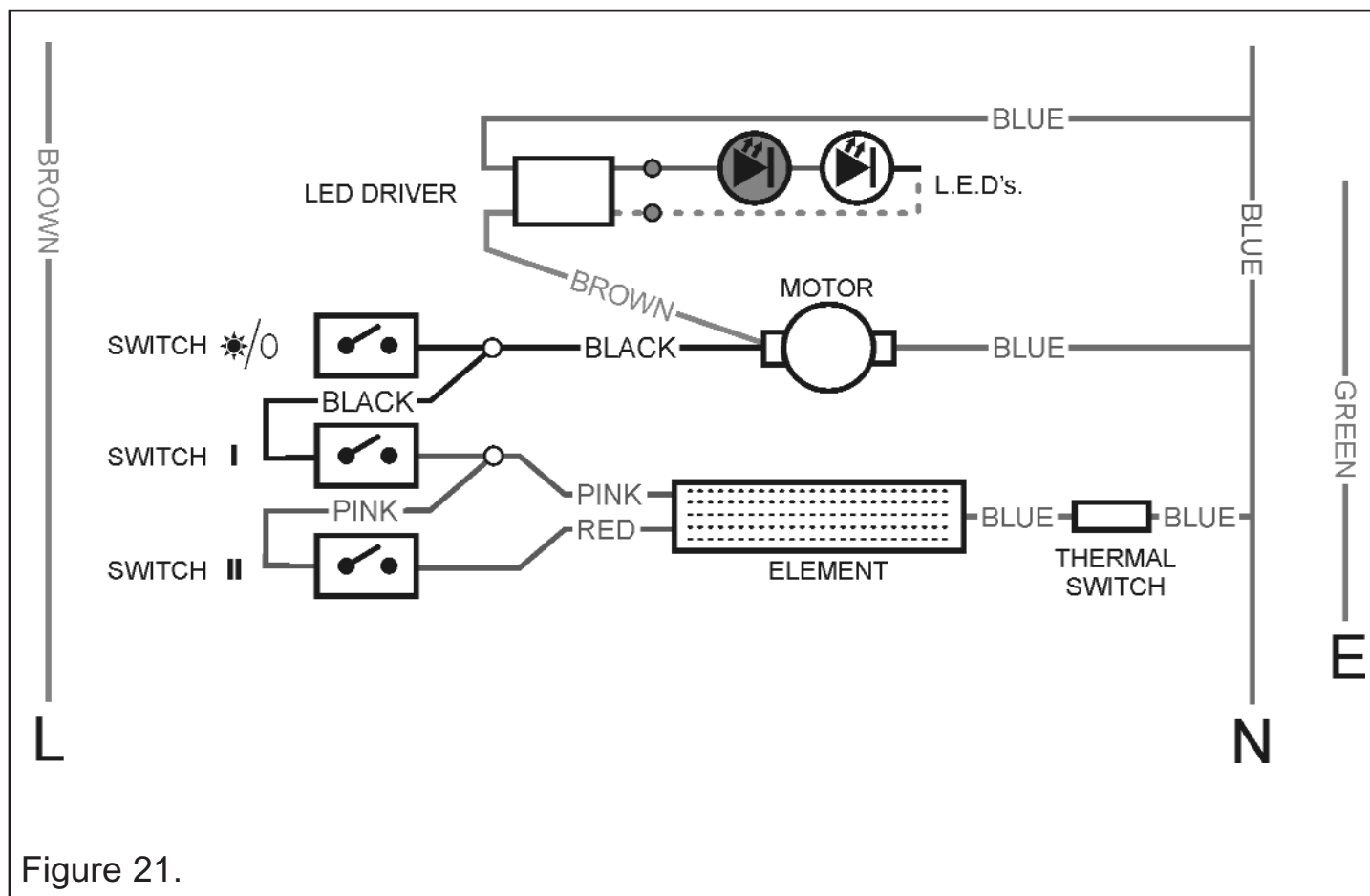
Waste electrical products should not be disposed of with household waste. Please recycle where facilities exist. Check with your local authority or retailer for recycling advice.

What should I do when I'm ready to dispose of my heater?

The plug should be removed from the mains cable and the mains cable removed from the heater. These should be disposed of with the heater.

INSTALLER AND OWNER GUIDE

15. WIRING CIRCUIT SCHEMATIC



16. WARRANTY AND SERVICE

Information for the customer.

Standard Warranty Terms & Conditions

The warranty is for 12 months subject to contract.

In the United Kingdom servicing can be carried out either by a **heateam** service engineer or a suitably qualified person.

You must register your heater with **heateam**, the service division of Baxi Heating UK Limited, either by completing and returning the registration card or calling our free telephone registration line on **0800 032 72 44**.

Our promise to you

If you experience a fault with your new heater, we aim to provide a safe and high quality repair service supported by our dedicated national network of highly skilled engineers. Nothing in this warranty will affect your statutory rights.

INSTALLER AND OWNER GUIDE

What you need to do if you experience a problem with the operation of the heater;

Read section 12 of this guide “Cleaning the heater”. If the problem cannot be resolved simply call our service division **heateam** on **08706 090 081** to book an engineer visit or for any general advice that you may need. Our contact centre is open Monday to Friday 8am – 6pm, weekends and Bank Holidays 8.30am – 2pm, excluding Christmas Day and New Years day.

When calling **heateam**, it would be helpful if you could have the following information to hand:-

1. Heater serial number
2. Heater brand and model number
3. Date of installation
4. Proof of purchase (If you do not have the heater serial number)

Note: Details 1 – 3 can be found on the last page of this guide.

What this warranty covers

Free of charge repair or replacement of components found to be of faulty manufacture.

Free of charge replacement of the complete unit providing the failure is related to a manufacturing fault that cannot be repaired or is uneconomic to repair.

What this warranty does not cover

Repairs to heaters which haven't been installed properly and as set out in this guide.

Faults caused by inadequate supply of electricity.

Reimbursement of any third party repair or replacement costs that we haven't been told about or agreed with you in advance.

Compensation or consequential losses (e.g. loss of earnings, business losses, stress and inconvenience) arising from a production breakdown, including repair delays caused by factors outside our reasonable control.

INSTALLER AND OWNER GUIDE

INSTALLER AND OWNER GUIDE

Heater Model

8 5 5

Serial number (A label containing this information may have been placed below or can be found on the serial number label - See figure 22)

□ □ □ □ □ □ □ □ □ □ □ □ □ □

A LABEL CONTAINING THE HEATER SERIAL NUMBER MAY HAVE BEEN PLACED INSIDE THIS BOX.

HEATER SERIAL NUMBER LABEL
TO BE AFFIXED HERE

Fascia name

B L E N H E I M

Brand

V A L O R

Date of Installation

□ □ □ □ □ □
D D M M Y Y

GC number

E F - 0 3 2 - 4 2

