



INSTALLER AND OWNER GUIDE

Please keep me in a safe place for future use.

Model 850

ELECTRIC HEATER

Fitted with one of the following fascia:

Dream or Petrus.

(GC No. EF-032-41)



This guide is intended to help you install and care for your Valor electric heater. Please read carefully before installing and using your heater. However, if further information is required, our **Valor Technical Helpline** will be pleased to help. Telephone **0844 8711 565** (National call rates apply in the United Kingdom). In the Republic of Ireland Telephone **0044 844 8711 565**.

Need to know your **Serial number?**

You can find it on the last page of this guide.



INSTALLER AND OWNER GUIDE

© Baxi Heating U.K. Limited 2011.

All rights reserved. No part of this publication may be reproduced in any material form (including photocopying), stored in any medium by electronic means (including in any retrieval system or database) or transmitted, in any form or by any means, whether electronic, mechanical, recording or otherwise, without the prior written permission of the copyright owner.

Applications for the copyright owner's permission to reproduce any part of this publication should be made, giving details of the proposed use, to the following address: The Company Secretary, Baxi Heating UK Limited, Brooks House, Coventry Road, Warwick, CV34 4LL.

Warning: Any person who does any unauthorised act in relation to a copyright work may be liable to criminal prosecution and civil claims for damages.

Valor Fires, Erdington, Birmingham B24 9QP
www.firesandstoves.co.uk

Because our policy is one of constant development and improvement, details may vary slightly from those given in this publication

Safety First.

Valor heaters are CE Approved and designed to meet the appropriate British Standards and Safety Marks.



Quality and Excellence.

All Valor heaters are manufactured to the highest standards of quality and excellence and are manufactured under a BS EN ISO 9001 quality system accepted by the British Standards Institute.



INSTALLER AND OWNER GUIDE

CUSTOMER CARE

Thank you for choosing Valor.

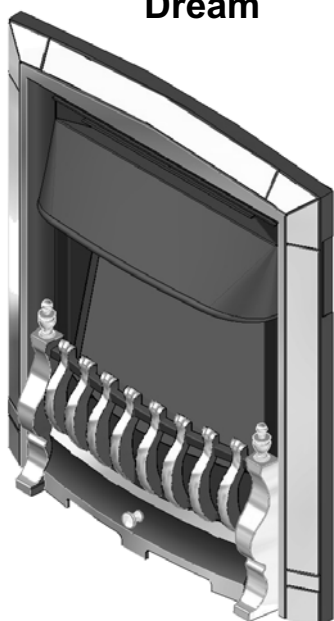
All Valor heaters are designed to meet the most stringent quality, performance and safety requirements to provide our customers with many years of trouble free service. This guide aims to improve your understanding and appreciation of your new Valor heater, by providing simple and informative instructions to enable you to install it and to ensure that you benefit from the excellent performance and features it has to offer.

If you require further assistance, the **Valor Technical Helpline** will be pleased to help.

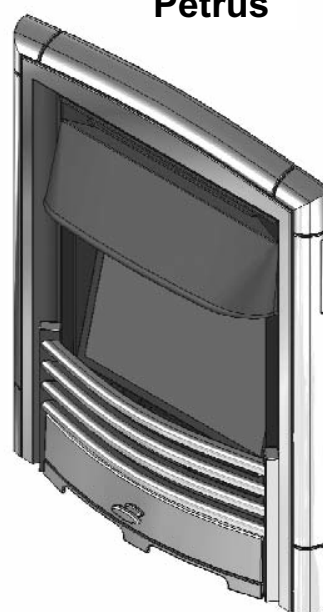
Please telephone **0844 8711 565** (local rates apply in the United Kingdom). In the Republic of Ireland please telephone **0044 844 8711 565**.

1. IMAGES

Dream



Petrus



INSTALLER AND OWNER GUIDE

2. HANDLING AND UNPACKING

Before continuing any further with the installation of this heater please read the following:

Important instructions.

- The approximate lifting weight (kg) of the heater parts are listed below:

<u>Model</u>	<u>Heat engine</u>	<u>Fascia</u>	<u>Optional Spacer (See section 4)</u>
Petrus	7.7	10.0	1.0*
Dream	7.7	12.4	1.0*

- One person should be sufficient to lift the heater. If for any reason this weight is considered too heavy then obtain assistance.
- When lifting always keep your back straight. Bend your legs and not your back.
- Avoid twisting at the waist. It is better to reposition your feet.
- Avoid upper body / top heavy bending. Always bend from the knees rather than the waist. Do not lean forward or sideways whilst handling the heater.
- Always grip with the palm of the hand. Do not use the tips of fingers for support.
- Always keep the heater as close to the body as possible. This will minimise the cantilever action.
- Use gloves to provide additional grip.
- Always use assistance if required.

3. SAFETY

This appliance is not intended for use by persons (including children) with reduced physical, sensory or mental capabilities, or lack of experience and knowledge, unless they have been given supervision or instruction concerning use of the appliance by a person responsible for their safety.

Children should be supervised to ensure that they do not play with the appliance.

Always

- **Always** install the heater in accordance with this guide. If in doubt obtain expert advice.
- **Always** make sure the electrical socket is accessible and located adjacent to, but not above or behind the heater.
- **Always** disconnect the heater from the electrical supply before carrying out cleaning or maintenance.
- **Always** ensure that the electrical supply is OFF before removing the mains cable from the rear of the heater.
- **Always** use a fireguard when young children, the elderly, the infirm and pet animals can come into contact with the heater.

INSTALLER AND OWNER GUIDE

- Always use genuine spares supplied by Valor or approved agents.

Never

- **Never** leave children unsupervised in a room where the heater is ON and unguarded.
- **Never** use the heater in a small room when occupied by persons not able to leave the room by themselves unless constantly supervised.
- **Never** obstruct or cover the fan outlet or force items into heater openings.
- **Never** install or use the heater anywhere where water is in use, i.e. Bathrooms, Kitchens, Shower Rooms and Swimming Pools etc.
- **Never** use aerosols or steam cleaners on or around the heater.
- **Never** route the electric cable under carpet etc.
- **Never** install the heater close to curtains or combustible materials.
- **Never** use the heater to dry clothes etc.
- **Never** sit or stand on the heater.
- **Never** use the heater with a timer switch or similar device.

Important Electrical Safety.

The heater must **not** be located in front of or under an electrical socket; the socket must always be accessible in order to disconnect the heater from the electrical supply for maintenance and cleaning.

CAUTION: In order to avoid a hazard due to inadvertent resetting of the thermal cut out, this appliance must **not** be supplied through an external switching device, such as a timer, or connected to a circuit that is regularly switched on and off by the utility.

Important! This heater must be earthed.

- The heater is supplied with a 3 pin 13 Amp fused plug with 1mm² 3 core cable.
- The wires in the cable are coloured in accordance with the following code:-
Live = Brown
Neutral = Blue
Earth = Green /Yellow
- The electric supply must be safely routed from the heater to an electrical socket. If the electric cable is damaged, to avoid a hazard it must be replaced by a Valor authorised service agent, or similarly qualified person (See page 23 for contact numbers). All external wiring between the heater and the electrical supply shall comply with current IEE regulations. Extension leads should not be used.

INSTALLER AND OWNER GUIDE

4. OPTIONAL SPACER FRAME KIT

An optional spacer frame kit is obtainable either from your heater supplier or direct from Valor Sales. The kit is an 80mm deep spacer kit (Kit number 0582631). This spacer enables the heater to be flat wall fixed.

The kit is obtainable either from your heater supplier or direct from Valor Sales.

Spacer frame kit 0582631.

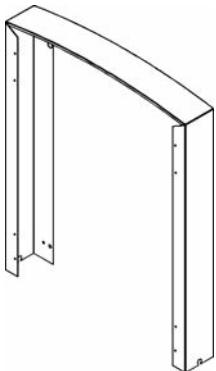

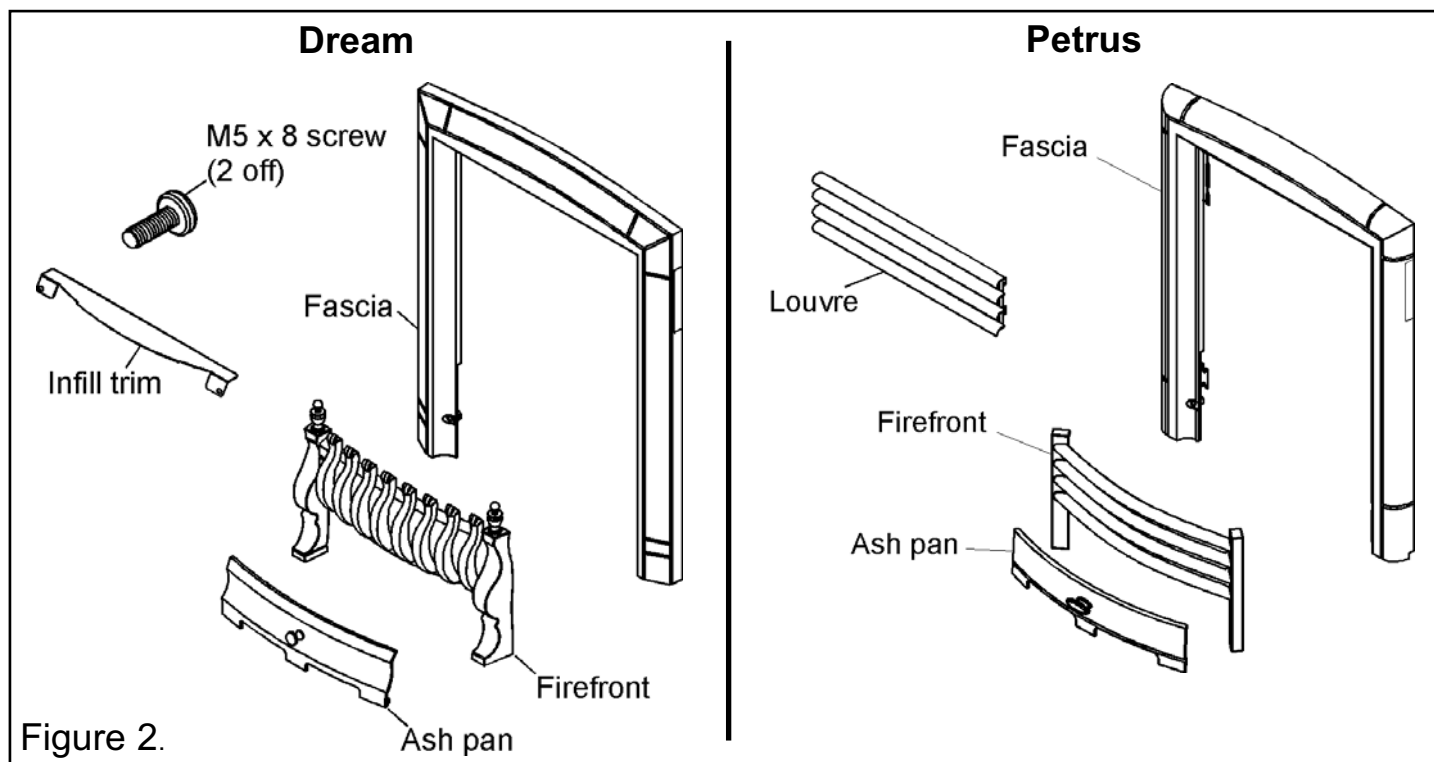
Contents	Quantity	(Illustrations are not to scale)
80mm deep spacer frame	1	
No 8 x 3/8 Self-tapping screws	4	

Figure 1.

5. FASCIA CONTENTS



INSTALLER AND OWNER GUIDE

6. HEATER CONTENTS

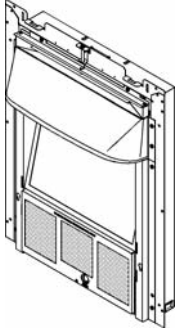

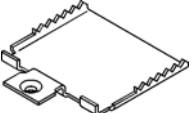








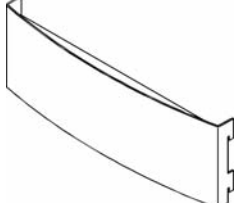


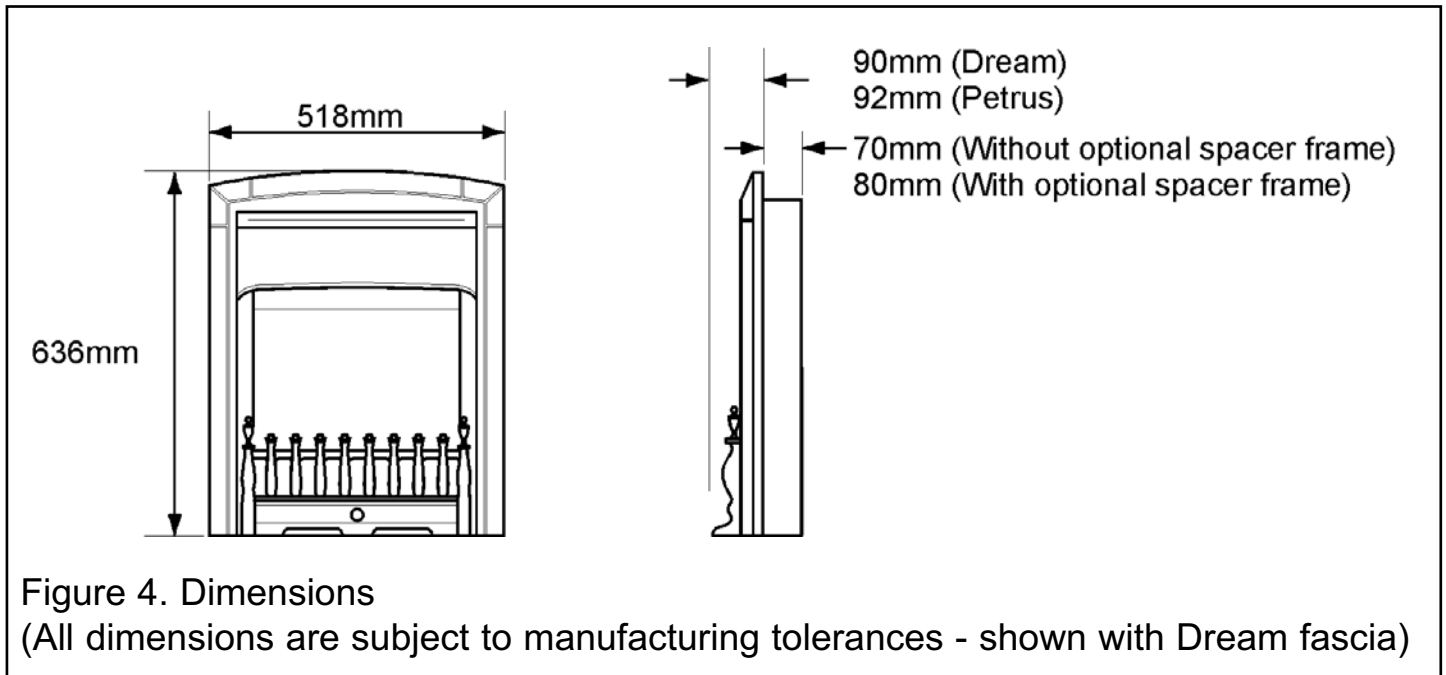
Contents	Qty.	(Not to scale)	Contents	Qty.	(Not to scale)
Heater (May differ from that shown - hood not present on Petrus models)	1		'AAA' Battery	2	
Securing clamp	1		Handset	1	
M5 x 40mm Securing clamp screw	1		M4 x 25mm screw	2	
No.8 x 3/8 pan head screw	5		Washer	2	
Tension wire	1		Mains cable	1	
Screw eye	1		Infill trim (Petrus model only)	1	
Wood screw	5				
Wall plug	5				

Figure 3. Contents

INSTALLER AND OWNER GUIDE

7. HEATER DIMENSIONS



8. WHERE AND HOW CAN I FIT THE HEATER?

Important: Before continuing with the installation of this heater please ensure that you have completed the information on the last page of this guide.

Please read this section thoroughly before positioning the heater.

Do I need any tools?

Depending upon the chosen method of installation you may need the following tools: -

- For Optional Spacer frame or screw fixed installations you will need a **cross head screwdriver**. This should have a number 2 size tip.
- If wire fixing and drilling into brickwork you will need a power drill (preferably with hammer action) and appropriate size drill bit for the wall plugs supplied.

Where and how can you fit the heater?

Q Can the heater be installed into a 'hole in the wall' (elevated opening)?

A We do not recommend the heater for this type of installation.

Q Do you want to fit the heater into a surround or fireplace opening without the optional spacer frame?

A The minimum rebate / depth required is 70mm.

INSTALLER AND OWNER GUIDE

- Q Do you want to fit the heater against a flat wall with the base of the heater on a hearth or similar surface?**
A You will need to purchase the optional spacer frame kit. This spacer enables the heater to be flat wall fixed. Please refer to Section 4 of this guide for details.

- Q What opening size do you need in the surround or fireplace opening?**
A This heater can be fitted into fireplaces or surrounds where the following dimensions are available.

Width 395mm - 450 mm
Height 555mm - 590 mm
Depth At least 70mm

- Q Do you want to fit the heater below a shelf, mantle or similar?**
A You will have to allow the clearances as shown below:

The minimum height from the base of the heater to the underside of any shelf made from wood or other combustible materials is detailed below.

- For a shelf up to 150mm deep: Minimum height = 700mm.
- For a shelf deeper than 150mm: 700mm + 12.5mm for every 25mm depth over 150mm (See Figure 5).

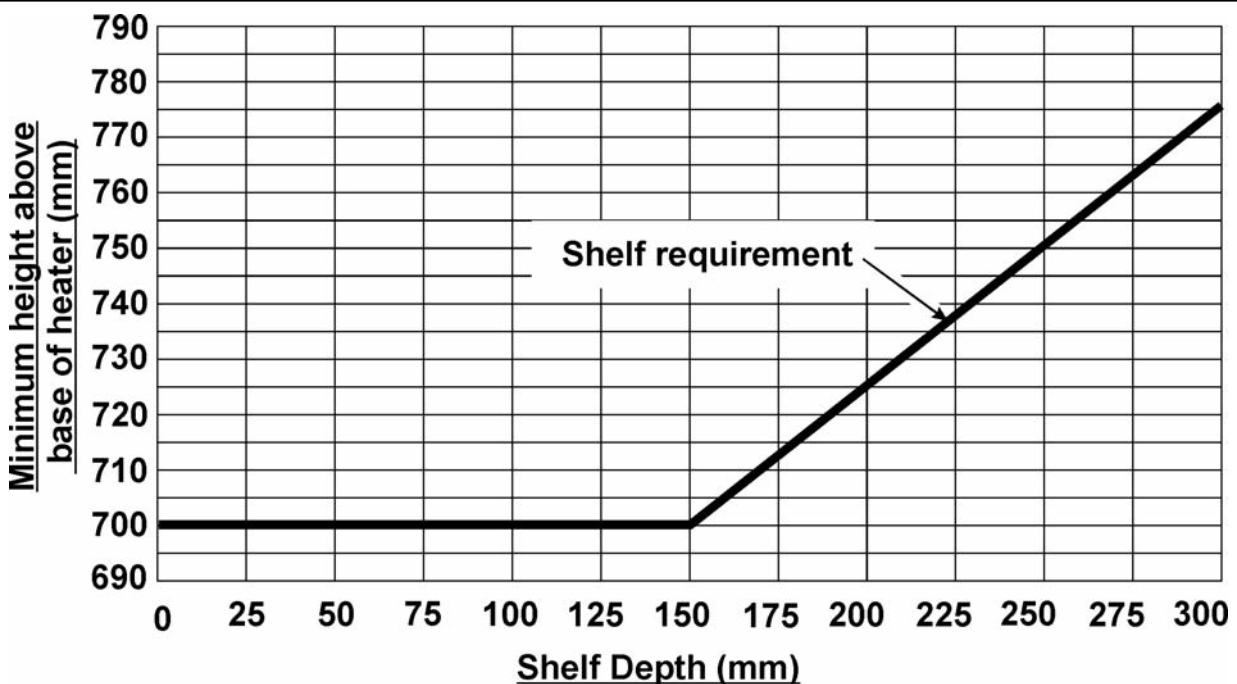


Figure 5. Combustible shelf clearances

INSTALLER AND OWNER GUIDE

General notes to read before fitting your heater.

- If fitting the heater onto a reflective or shiny surface such as a hearth we recommend that this surface does not extend further than 300mm from the fixing plane (wall). Reflective or shiny surfaces that project further than 300mm may reflect an image of the internal light source.
- When the fuel effect is on, it will be possible to see reflected light and movement behind the outlet louvre at the top of the heater.

Fitting the batteries to the Remote Control Handset.

The remote control handset uses 2 x 1.5V AAA type batteries. For longer battery life use only alkaline batteries. To install the batteries, slide the cover down on the rear of the handset and remove (See figure 6). The polarity of the batteries is marked on the inside of the battery compartment.

If the heater does not respond to the remote control handset commands, it is likely that the batteries are faulty or require replacement.

Fitting the mains cable.

The heater is supplied with a mains cable assembly that should be connected to the heater prior to installation. The heater connector is located at the rear bottom left (See figure 7).

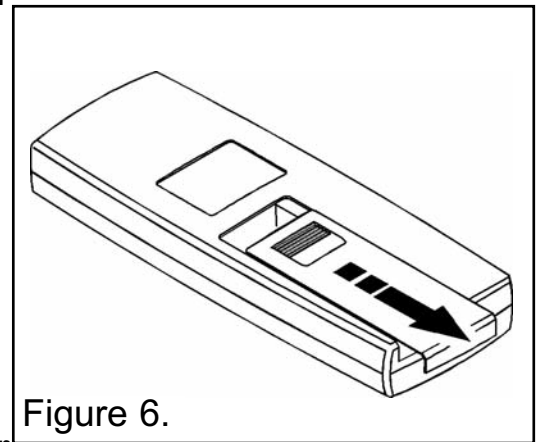


Figure 6.

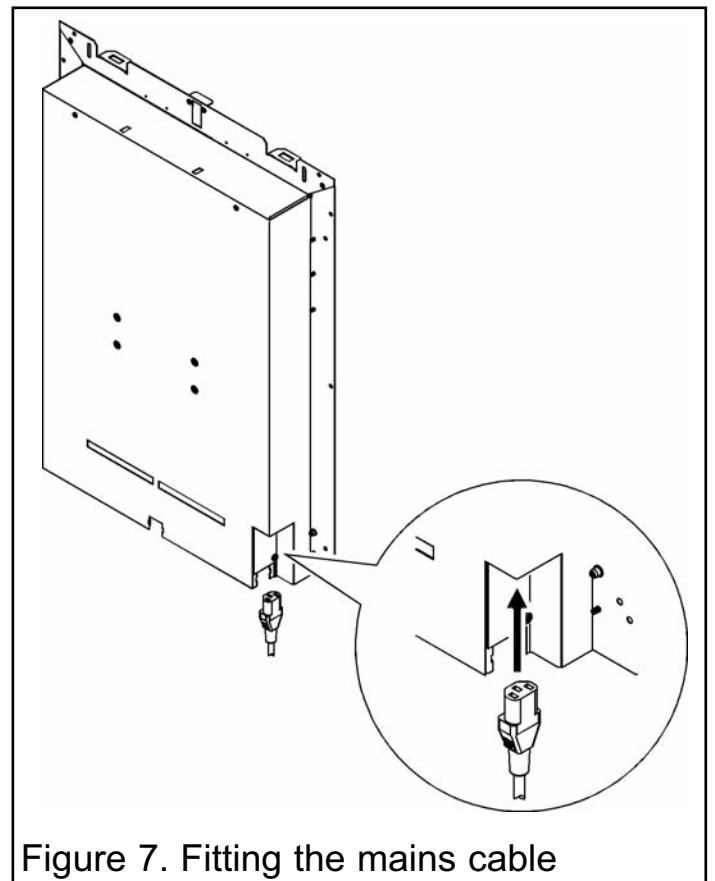


Figure 7. Fitting the mains cable

INSTALLER AND OWNER GUIDE

The mains cable guides.

At the base of the heater you will find two electric cable guides, one each side of the heater. If required, the cable guide on the right hand side (looking from the front of the heater) can be removed and put in the rectangular slot in the centre rear of the heater. For removal and fitting please see the following sections.

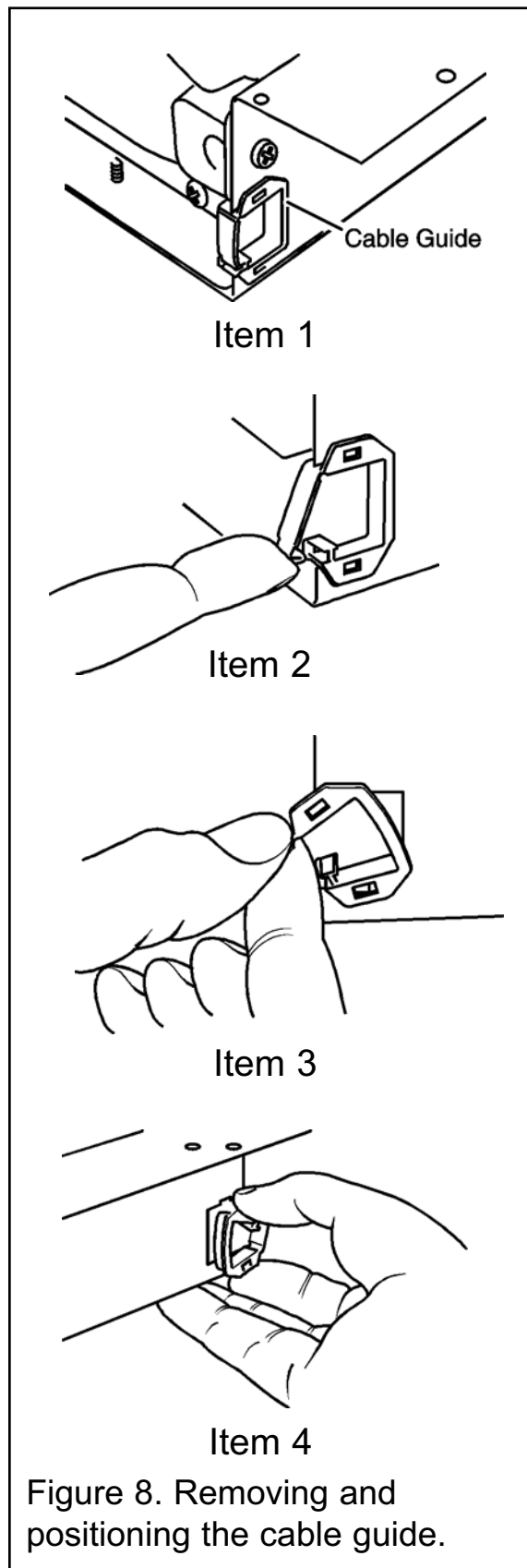
Removing the cable guide.

1. Before removing the cable guide please note that the wider part of the cable guide is on the outer edge of the base (See figure 8 - Item 1).
2. To remove the cable guide push and lift the tab on the bottom. The bottom of the cable guide will open (See figure 8 - Item 2).
3. Hold the bottom of the cable guide close to the heater then gently pull the cable guide away from the rectangular slot (See figure 8 - Item 3).

Fitting the cable guide.

When fitting the cable guide please remember that the wider part of the cable guide has to be fitted against the outer edge of the base (See figure 8 - Item 1).

1. Gently pinch the sides of the cable guide (See figure 8 - Item 4) and push the cable guide into the required rectangular slot.
2. Place the electrical cable into the guides and close the top of the cable guides.



INSTALLER AND OWNER GUIDE

Securing the heater.

The heater must be secured into position to prevent it from being tipped over.

The following securing options are available:

- **Method A** - Securing the heater with **Screws**.
- **Method B** - Securing the heater with **Wire**.
- **Method C** - Securing the heater using the **Optional Spacer Frame** (kit number 0582631).
- **Method D** - Securing the heater using the **Securing clamp**.

If fitting the heater into a fireplace or surround opening, try the heater in the opening to ensure that it will fit.

On Dream models, never hold the hood / canopy on the front of the heater when lifting.

If fitting the heater onto a decorative hearth surface such as marble or tile it is advisable to protect the hearth surface. Do not drag the heater as the surface finish may be damaged.

Method A - Securing with screws.

Note - If fixing to marble it is recommended that Method B - 'Securing with wire' is used. Drilling marble without the correct tools and experience may result in the marble cracking.

1. Place the heater into the fireplace or surround opening. Make sure that the heater is in the middle of the surround or fireplace.
2. There are two slotted holes in the top of the heater and four holes in the side flanges (See figure 9). We recommend the use of two upper holes and two lower holes. Mark through the required holes so that their position is clear when the heater is removed.
3. Remove the heater.
4. Drill an appropriate size hole in each of the marked positions for the wall plugs supplied. Insert wall plugs into the drilled holes.
5. Place the heater so that the holes are in line with the wall plugs in the fixing surface.
6. Screw and secure the heater with four wood screws - (See figure 3).

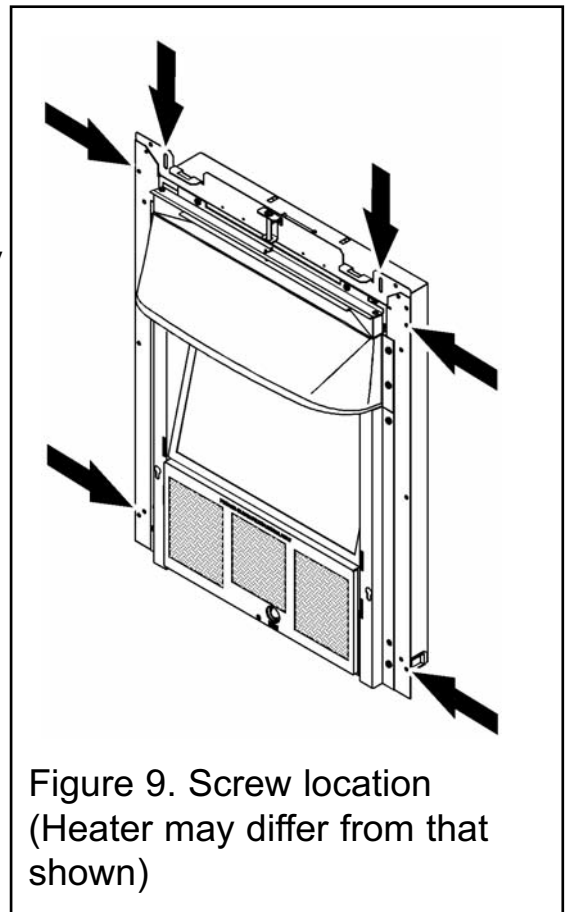


Figure 9. Screw location
(Heater may differ from that shown)

INSTALLER AND OWNER GUIDE

Method B - Securing with wire.

This method of securing is recommended where the wall / brickwork is in poor condition or where marble back panels / surrounds are used.

Although this section deals with fireplace openings without a spacer, this method of securing the heater it can also be used with the optional spacer frame (See method C).

1. The fixing kit supplied with the heater includes a wire and eyescrew. These can be used to secure the heater to the back of a surround / fireplace opening.
2. Mark the eyescrew position on the centre line at the back of the fireplace opening and at a height of 565-575mm (See figure 10).
3. Drill an appropriate size hole in the marked position.

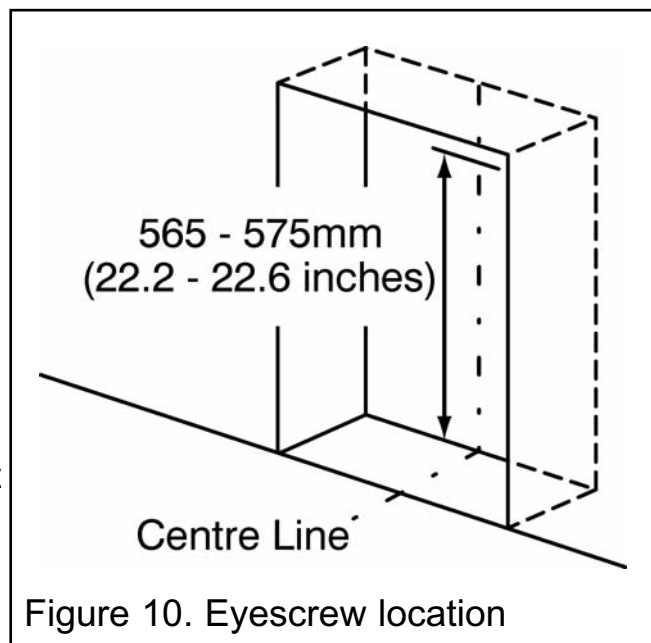


Figure 10. Eyescrew location

4. Insert a wall plug into the drilled hole.
5. Screw the eyescrew into the wall plug.
6. Position the heater in front of the fireplace opening.
7. At the top of the heater there are four small holes, two each side of the heater. From the front of the heater, thread about 50mm of the wire into the outside small hole on the right side of the heater (See item 1 - figure 11).

8. Thread the other end of the wire through the remaining small hole to the left. Continue to push the wire through this hole until there is only a small loop of wire at the front of the heater (See item 2 - figure 11).

9. At the back of the heater there will be a long piece and a short piece of wire coming through the two holes. Hold the short piece and give the long piece a gentle tug. This will secure the wire. Take the long piece and thread this through the eyescrew in the back of the fireplace opening (See figure 11).

10. From the back of the heater thread the long piece of wire through the inner small hole on the left hand side of the heater (See figure 11).

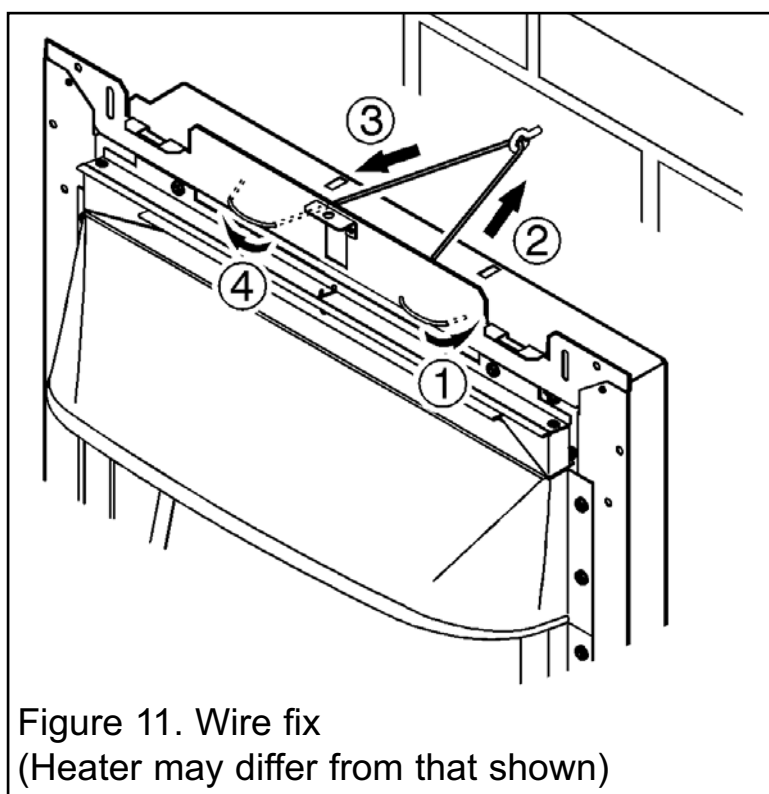


Figure 11. Wire fix
(Heater may differ from that shown)

INSTALLER AND OWNER GUIDE

11. Locate the heater in the fireplace opening, then from the front of the heater, gently pull the wire on the right hand side to gather up the excess until the heater is secure. Thread the wire through the remaining small hole to lock the wire and heater in place (See item 4 - figure 11).

Method C - Securing with the Optional Spacer Frame.

The spacer frame enables the heater to be flat wall fixed. For your safety the frame and heater must be securely fixed to the rear wall / surround.

Fitting the spacer frame

The rear of the spacer has wider flanges. These should be to the rear when fitting.

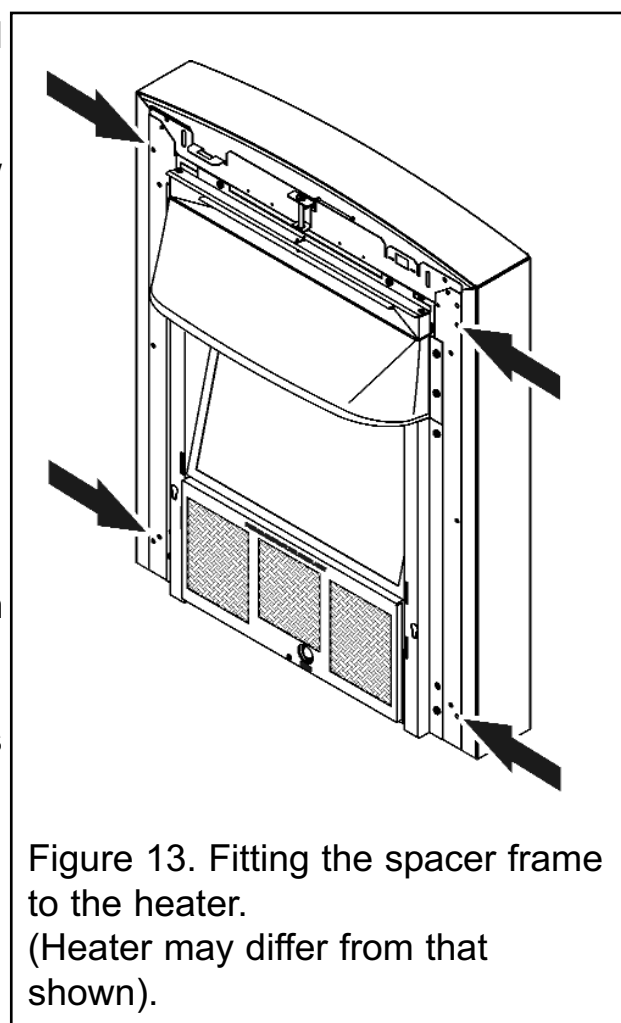
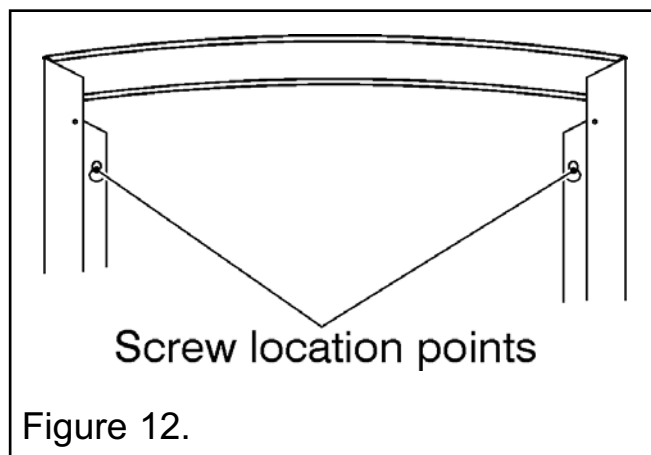
- 1.** Position the rear of the spacer frame against the wall. Ensure that the spacer frame is central to the fireplace. It is important that the side legs are positioned correctly and are upright.
- 2.** Mark the upper positions of the key hole slots on the rear wall (See figure 12).
- 3.** Remove the spacer frame from the fireplace and place away from the work area.
- 4.** Drill the screw locations using a suitably sized masonry drill bit for the wall plugs supplied.
- 5.** Insert two wall plugs provided into the holes.
- 6.** Insert a wood screw into each hole and screw in until there is approximately 6mm of screw protruding from the wall.

Preparing the heater for installation.

- 1.** Secure the spacer frames to the heater using four No.8 x 3/8 screws supplied (See figures 3 and 13).

Fitting the heater.

- 1.** Carefully lift the heater and locate the slots on the rear of the spacer frame onto the screws in the wall. The screws can be adjusted to ensure a tight fit. When mounting to decorative surfaces such as wallpaper be careful not to drag the heater down the wall as this may damage the decorative surface.



INSTALLER AND OWNER GUIDE

Method D - Securing with the clamp.

This method of securing **cannot** be used in conjunction with the optional spacer frame. This is an alternative securing method where fixing to a surround or rear wall proves impractical.

1. Locate the clamp as in item 1 of figure 14. Place the screw through the upper bracket on the heater and locate into the clamp - item 2 of figure 14. It is only necessary to locate the screw, do not continue to turn it as this will elevate the clamp.
2. Place the heater into the surround / opening.
3. Rotate the clamp screw clockwise until the heater is secured in the surround / opening. **Where applicable, do not over-tighten the screw as this may deform or cause damage to the surround / back panel.**

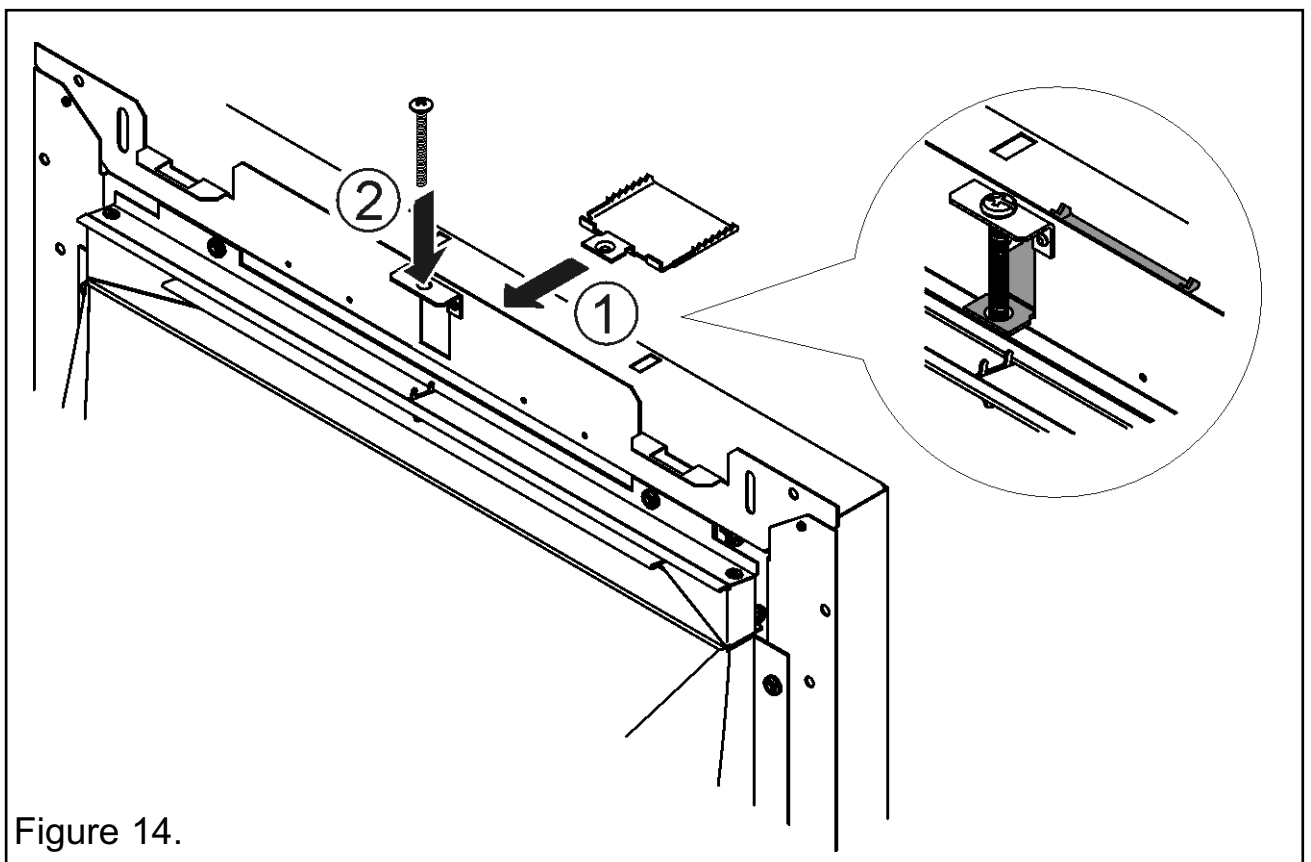


Figure 14.

INSTALLER AND OWNER GUIDE

9. LIGHT SHUTTER ADJUSTMENT

The light shutter is an adjustable plate that increases and decreases the appearance of the flames in the flame effect.

1. Switch on the fuel effect. If you are satisfied with the appearance of the flame effect there is no need to adjust the light shutter.

2. To gain access to the light shutter, unscrew and remove the thumbscrew from the bottom of the filter panel. Gently pull the base of the filter panel forward and down to remove it from the heater (See figure 15). There is a black card baffle in front of the light shutter; hold both sides and gently pull this forward to gain access to the light shutter (See figure 16).

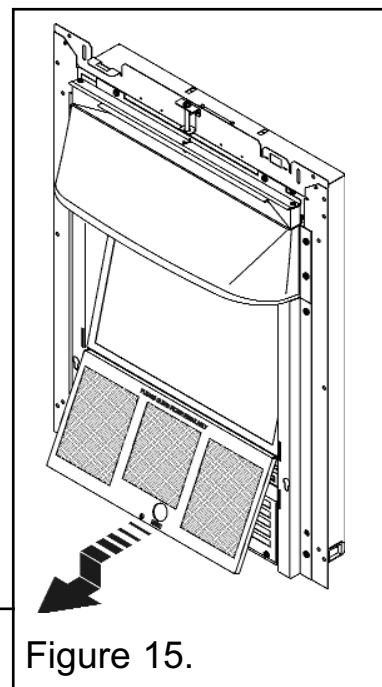


Figure 15.

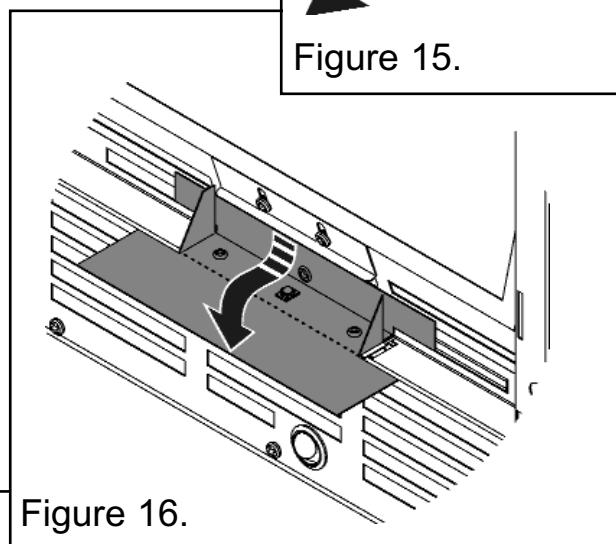


Figure 16.

3. To adjust the light shutter, loosen the two screws then lift the shutter to increase the appearance of the flames or lower it to decrease the appearance of the flames (See figure 17).

4. When you have obtained the required flame appearance, tighten the two screws and secure the shutter in place, replace the card baffle and filter panel.

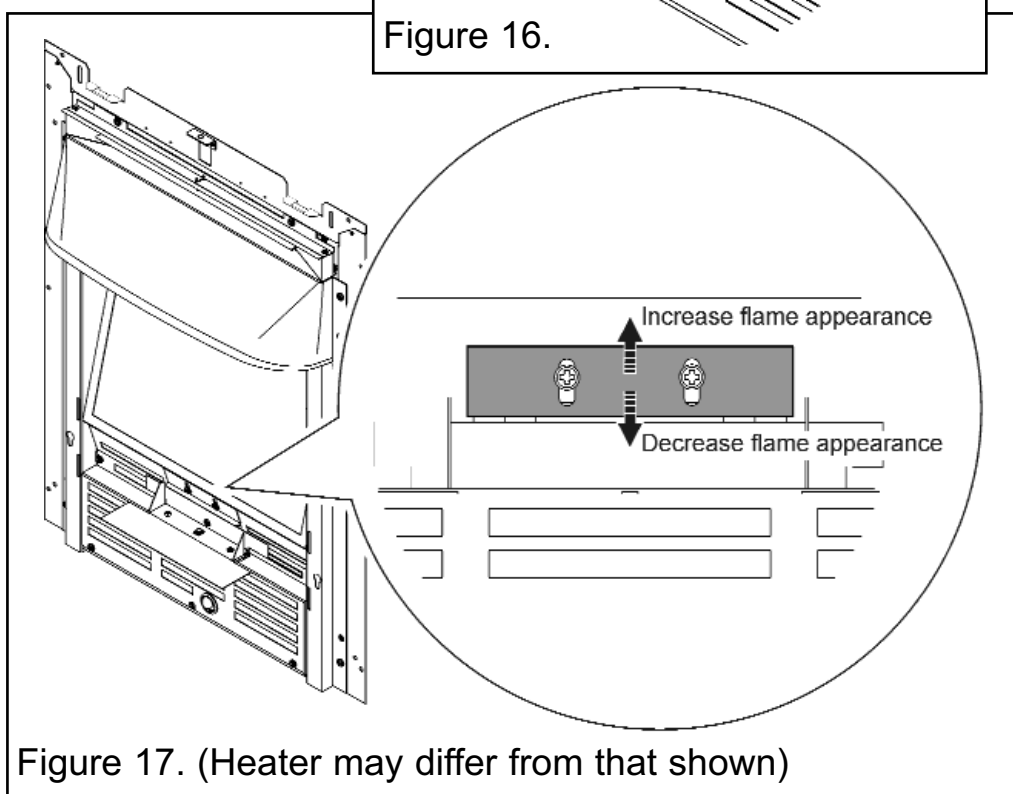
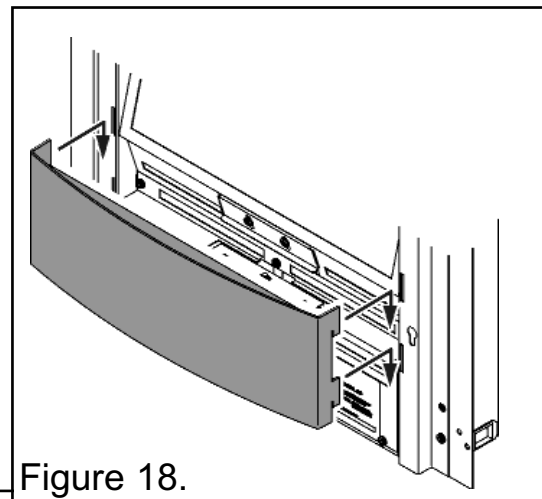


Figure 17. (Heater may differ from that shown)

10. FITTING THE FASCIA

Fitting the infill trim (Petrus model only).

1. Remove the infill trim from its packaging.
2. Locate the four tabs on the rear of the infill trim into the four slotted holes in the heater (See figure 18).

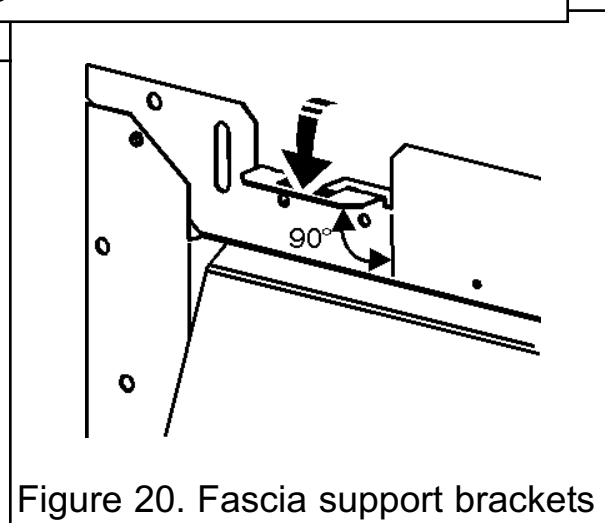
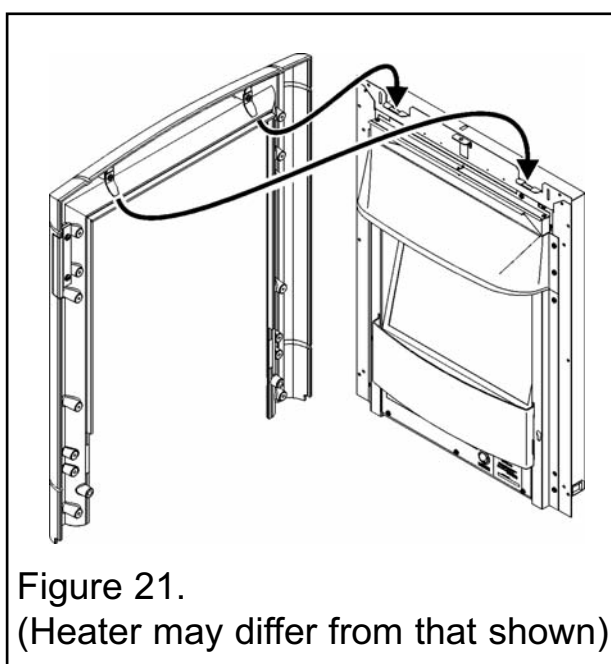
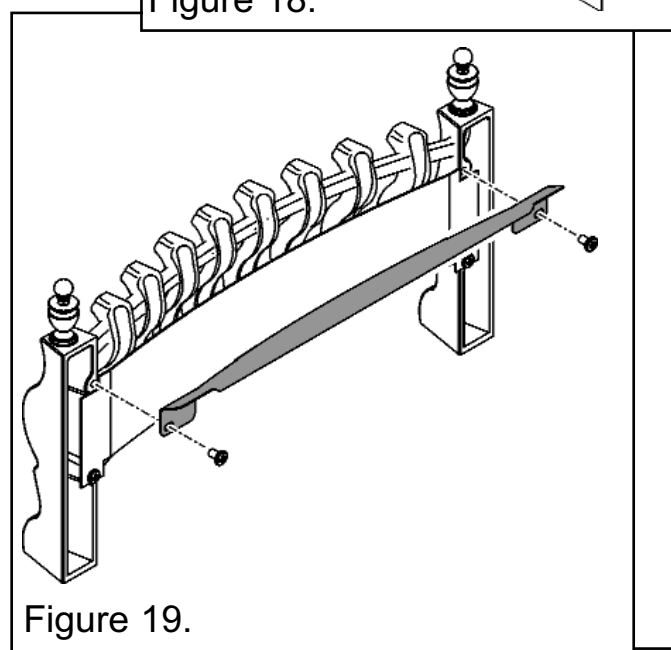


Fitting the infill trim (Dream model only).

1. Remove the infill trim from its packaging.
2. Locate the infill trim as in figure 19 and secure in place using two M5 x 8 screws supplied.

Fitting the fascia.

1. Remove the fascia from its packaging.
2. As supplied the fascia support brackets may be flat against the heater body. Using a suitable tool or gloved hand bend the brackets as in figure 20.
3. Hold the fascia firmly and lift into place. Locate the fascia hanging brackets into those on top of the heater (See figure 21). Lower the fascia into place and swing the bottom of the fascia towards the heater.
4. Secure the fascia through the holes in the lower side legs of the fascia using two washers and two M4 x 25mm screws supplied.



INSTALLER AND OWNER GUIDE

Fitting the firefront and ash pan (Petrus model only).

1. Remove the firefront from its packaging.
2. The rear of the firefront may be fitted with hanging screws or they may be supplied in the firefront packaging. Where they are not already fitted insert them into the lower holes on both sides of the firefront. The distance between the firefront and the underside of the screw heads should be approximately 12mm. The screws can be adjusted to obtain the required fit (See figure 22).
3. Hang the firefront on the keyhole slots on the heater.
4. Position the ash pan cover beneath the firefront.

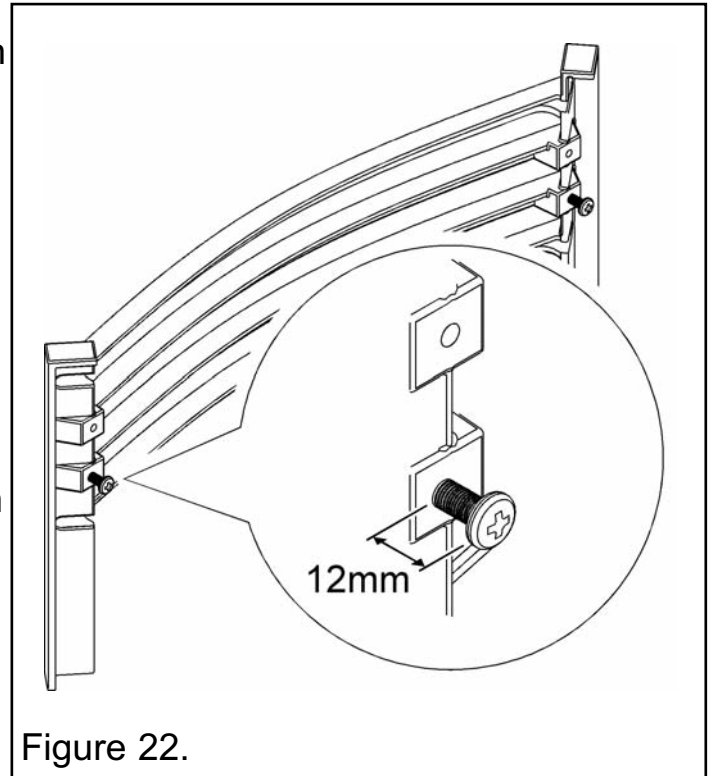


Figure 22.

Fitting the firefront and ash pan (Dream model only).

1. Remove the firefront from its packaging.
2. Locate the firefront.
3. Position the ash pan beneath the firefront.

11. OPERATING THE HEATER

Never cover the heater or obstruct the opening at the base of the heater, this could cause overheating and consequent risk of fire.

The appliance can be controlled by the manual control located behind the ash pan cover on the lower right hand side of the heater or by using the remote control handset.

The heat settings are quoted using a 240V ~ 50Hz supply.

Remote Control - What do the buttons do?

Pressing the red 'ON/OFF' button.

To activate the remote handset it is necessary to press the red ON/OFF button (See figure 23). The status lamp on the heater will turn red (See figure 24).

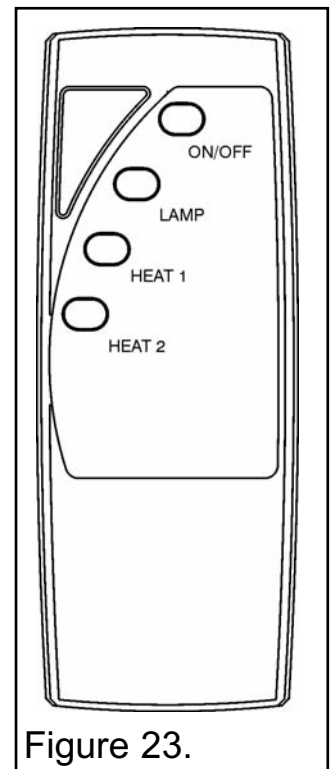
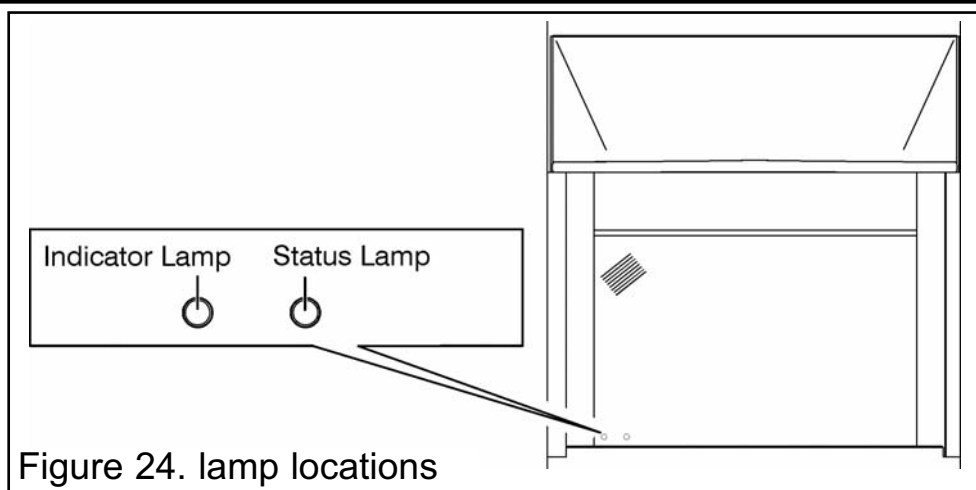


Figure 23.



Pressing the 'LAMP' button.

This turns the **DIMENSION** effect on. The indicator lamp (See figure 24) will flash green for approximately five seconds, after this time the lamp will no longer be visible. An internal fan is used to produce the flickering flame effect, room temperature air will be felt coming from the outlet at the top of the firefront. The heater does not produce cold air.

Pressing the 'Heat 1' button.

This turns the **DIMENSION** effect and 675 watt heater on. The indicator lamp will flash amber for approximately five seconds, after this time the lamp will no longer be visible.

Pressing the 'Heat 2' button.

This turns the **DIMENSION** effect and 1350 watt heater on. The indicator lamp will flash red for approximately five seconds, after this time the lamp will no longer be visible.

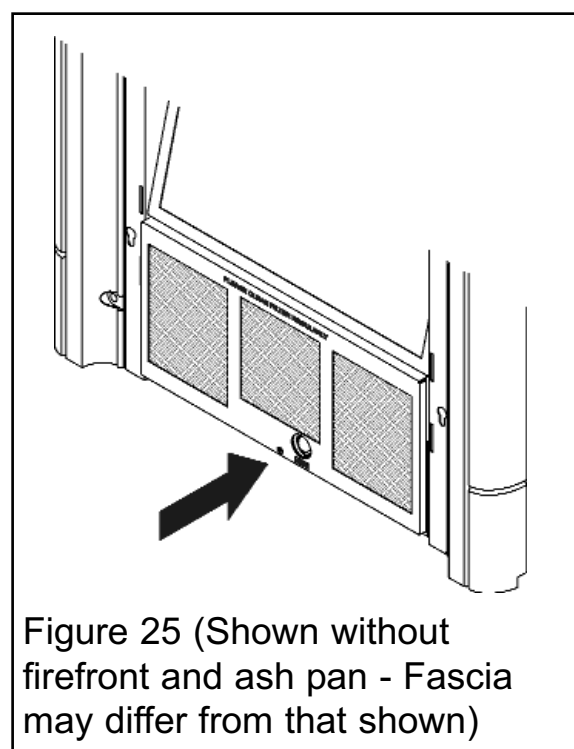
Pressing the red 'ON/OFF' button.

Pressing this button at any time whilst the **DIMENSION** effect and heater are in operation will turn the **DIMENSION** effect and heater off.

Manual Control - What is it and why is it there?

The manual control is there as a back up. If the remote control has been damaged, lost, or the batteries lives have expired, the manual control will enable the **DIMENSION** effect and heater to be operated.

The control is located behind the ash pan cover on the lower right hand side of the heater (See figure 25).



INSTALLER AND OWNER GUIDE

What does the button do?

Press the button once.

This turns the DIMENSION effect on. The indicator lamp will flash green for approximately five seconds, after this time the lamp will no longer be visible.

Press the button a second time.

This will turn the 675 watt heater on. The DIMENSION effect will already be on. The indicator lamp will flash amber for approximately five seconds, after this time the lamp will no longer be visible.

Press the button a third time.

This will turn the 1350 watt heater on. The DIMENSION effect will already be on. The indicator lamp will flash red for approximately five seconds, after this time the lamp will no longer be visible.

Press the button a fourth time.

Pressing this button at any time whilst the DIMENSION effect or heater are in operation will turn the DIMENSION effect and heater off.

12. CLEANING AND MAINTAINING THE HEATER

Important Safety.

Before undertaking maintenance always disconnect the heater from the electricity supply by removing the 3 pin plug and allow the heater to cool completely.

How do I Clean my heater?

The heater and plastic parts need only to be wiped clean with a dry soft cloth; do not use polishes or abrasive materials. This is especially important when cleaning the effects screen.

Cleaning the Filter Panel.

The filter panel requires regular cleaning. We recommend cleaning the filter at least once a month. The filter may require cleaning more frequently depending upon use. To gain access to the filter remove the ash pan and firefront. It is not necessary to remove the filter for cleaning. Clean the filter using a vacuum fitted with a soft brush attachment. Do not apply pressure to the filter as this may cause damage.

I have a problem with my heater!

1. My remote control does not work.

The batteries in the remote control handset probably need replacing - See section 8 and figure 6. The heater can be operated manually as on pages 19 and 20.

2. My heater is switched on but there is no effect or heat.

The first thing to do is check the wall socket. To do this plug in a known working appliance. If the appliance you have plugged in works then there is a good chance that the problem lies with the 13 Amp fuse in the heater plug. If either fuse or socket is suspected, have them checked by an electrician.

3. My heater is on, I have selected a heat setting but there is no heat, just the effect.

A cut out device is fitted to the heater to prevent damage due to over heating. If it operates due to an obstruction in the airflow, the heater must be turned off and allowed to cool for 15 minutes and the obstruction removed before restarting. Check that the filter panel is clean (Please refer to the "Cleaning the filter panel" section of Part 12 of this guide).

4. I have dark areas in the fuel effect of my heater or the fuel effect is not as bright as it was when new.

There is a mirror fitted to the rear of the hood / canopy at the front of the heater and this may need cleaning. Wipe the mirror with a clean, dry, non abrasive cloth (See figure 26).

5. I have a problem that is different to those in the previous examples 1- 4.

For general advice about your heater, to report faults, arrange for your heater to be serviced, or for sales and product information call 0844 8711 565. Callers in the Republic of Ireland please telephone 0044 844 8711 565.

For spares inquiries

Spare parts are available nationwide via the 'interpart stockist network'. For your local stockist consult Yellow pages under 'Central Heating'.

When ordering spare parts please have the below information available. This will help us to deal with your call quicker and avoid you having to make a second call.

- Your Post Code.
- Type of Heater (Electric or gas).
- The fault, problem or request.

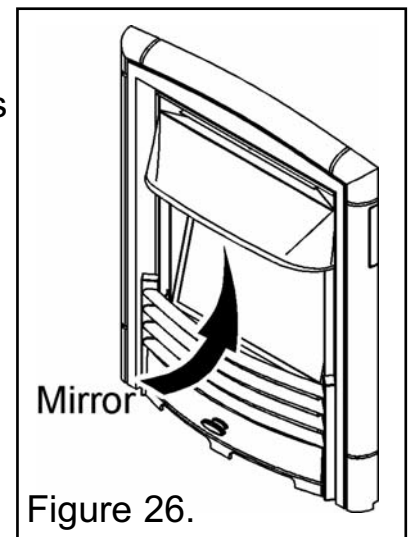


Figure 26.

INSTALLER AND OWNER GUIDE

- Model, Name and serial number (This information can be found on a small label attached to the lower right of the heater (See figure 23) and should also have been recorded on the last page of this guide.

14. ENVIRONMENT

Environmental Protection.

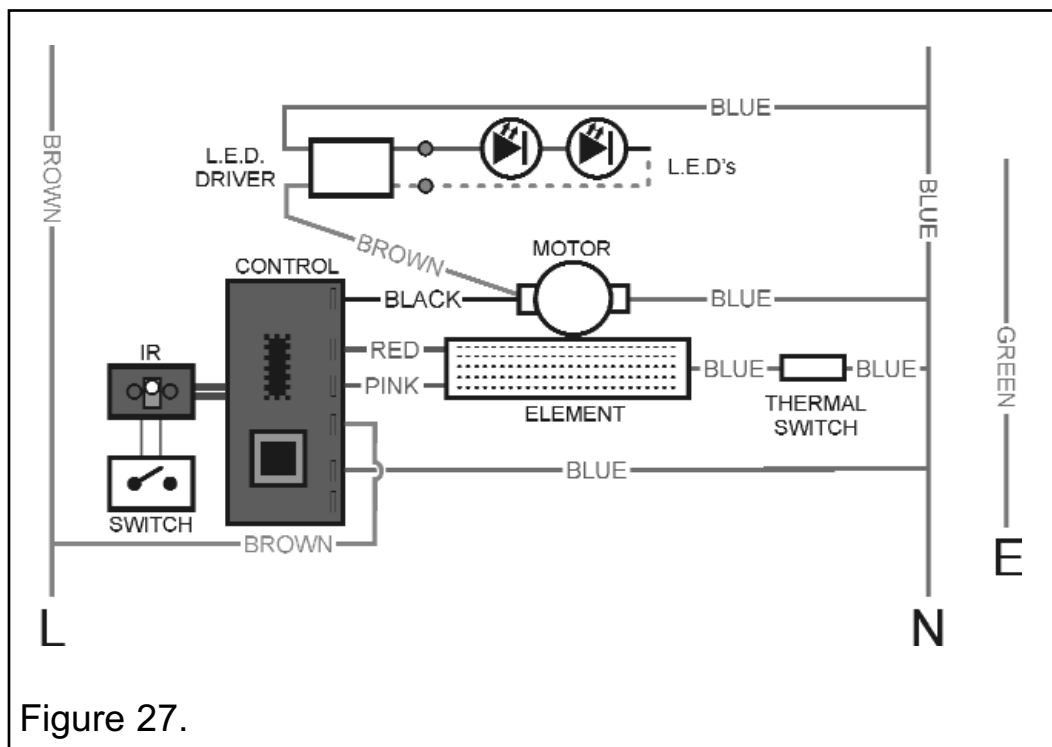


Waste electrical products should not be disposed of with household waste. Please recycle where facilities exist. Check with your local authority or retailer for recycling advice.

What should I do when I'm ready to dispose of my heater?

Remove the mains cable from the heater. This should be disposed of with the heater.

15. WIRING CIRCUIT SCHEMATIC



16. WARRANTY AND SERVICE

Information for the customer

Standard Warranty Terms & Conditions

The warranty is for 12 months subject to contract.

In the United Kingdom servicing can be carried out either by a **heateam** service engineer or a suitably qualified person.

INSTALLER AND OWNER GUIDE

You must register your heater with **heateam**, the service division of Baxi Heating UK Limited, either by completing and returning the registration card or calling our free telephone registration line on **0800 032 72 44**.

Our promise to you

If you experience a fault with your new heater, we aim to provide a safe and high quality repair service supported by our dedicated national network of highly skilled engineers. Nothing in this warranty will affect your statutory rights.

What you need to do if you experience a problem with the operation of the heater;

Read section 12 of this guide “Cleaning and maintaining the heater”. If the problem cannot be resolved simply call our service division **heateam** on **0844 8711 565** to book an engineer visit or for any general advice that you may need. Our contact centre is open Monday to Friday 8am – 6pm, weekends and Bank Holidays 8.30am – 2pm, excluding Christmas Day and New Years day.

When calling **heateam**, it would be helpful if you could have the following information to hand:-

1. Heater serial number*
2. Heater brand and model number*
3. Date of installation*
4. Proof of purchase (If you do not have the heater serial number)

*Note: Details 1 – 3 can be found on the last page of this guide.

What this warranty covers

Free of charge repair or replacement of components found to be of faulty manufacture.

Free of charge replacement of the complete unit providing the failure is related to a manufacturing fault that cannot be repaired or is uneconomic to repair.

What this warranty does not cover

Repairs to heaters which haven't been installed properly and as set out in this guide.

Faults caused by inadequate supply of electricity.

Reimbursement of any third party repair or replacement costs that we haven't been told about or agreed with you in advance.

Compensation or consequential losses (e.g. loss of earnings, business losses, stress and inconvenience) arising from a production breakdown, including repair delays caused by factors outside our reasonable control.

INSTALLER AND OWNER GUIDE

Customer: Please complete the shaded areas below:

Model

8 5 0

Serial number (A label containing this information may have been placed below or can be found on the serial number label - See figure 28)

□ □ □ □ □ □ □ □ □ □ □ □ □ □

A LABEL CONTAINING THE SERIAL NUMBER MAY HAVE BEEN PLACED INSIDE THIS BOX.

SERIAL NUMBER LABEL
TO BE AFFIXED HERE

Fascia name (Block Capitals)

□ □ □ □ □ □ □ □ □ □

Brand

V A L O R

Date of Installation

□ □ □ □ □ □
D D M M Y Y

GC number

E F - 0 3 2 - 4 1

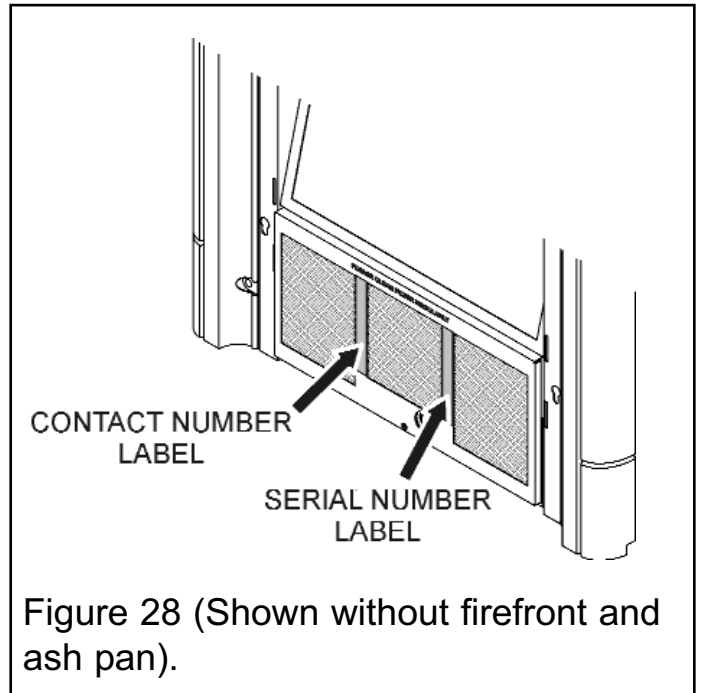


Figure 28 (Shown without firefront and ash pan).

