

INSTALLER AND OWNER GUIDE

Model 834

Electric Heater

fitted with one of the following fascia

Hanging Deco, Distinction 2, Panache or Washington.

(GC No. EF-032-24)



This guide is intended to help you install and care for your Valor Fires electric heater. Please read carefully before installing and using your heater. However, if further information is required, our

Valor Fires Technical Helpline will be pleased to help.

Telephone **08706 061 065**

(National call rates apply in the United Kingdom)

In the Republic of Ireland

Telephone **0044 8706 061 065**



BAXI ● VALOR ● WONDERFIRE

Important: Please keep your guide in a safe place for future reference

INSTALLER AND OWNER GUIDE

© Baxi Heating U.K. Limited 2007.

All rights reserved. No part of this publication may be reproduced in any material form (including photocopying), stored in any medium by electronic means (including in any retrieval system or database) or transmitted, in any form or by any means, whether electronic, mechanical, recording or otherwise, without the prior written permission of the copyright owner.

Applications for the copyright owner's permission to reproduce any part of this publication should be made, giving details of the proposed use, to the following address: The Company Secretary, Baxi Heating UK Limited, The Wyvern Business Park, Stanier Way, Derby, DE21 6BF.

Warning: Any person who does any unauthorised act in relation to a copyright work may be liable to criminal prosecution and civil claims for damages.

VALOR FIRES

Valor Fires, Erdington, Birmingham B24 9QP
www.firesandstoves.co.uk

Because our policy is one of constant development and improvement, details may vary slightly from those given in this publication

INSTALLER AND OWNER GUIDE

Safety First.

Valor Fires heaters are CE Approved and designed to meet the appropriate British Standards and Safety Marks.



Quality and Excellence.

All Valor Fires heaters are manufactured to the highest standards of quality and excellence and are manufactured under a BS EN ISO 9001 quality system accepted by the British Standards Institute.



CUSTOMER CARE

Thank you for choosing Valor Fires

All Valor Fires heaters are designed to meet the most stringent quality, performance and safety requirements to provide our customers with many years of trouble free service. This guide aims to improve your understanding and appreciation of your new heater, by providing simple and informative instructions to enable you to install it and to ensure that you benefit from the excellent performance and features it has to offer. If you require further assistance, the **Valor Fires Technical Helpline** will be pleased to help.

Please telephone **08706 061 065** (local rates apply in the United Kingdom).

In the Republic of Ireland telephone **0044 8706 061 065**.

FOR OTHER USEFUL TELEPHONE NUMBERS SEE PAGE 15 OF THIS GUIDE

INSTALLER AND OWNER GUIDE

1. HANDLING AND UNPACKING

Fascia parts may be covered in protective film. Ensure that this has been removed before using the heater.

Before continuing any further with the installation of this heater please read the following:

Important safety instructions.

- The lifting weights of the heater parts are listed below: -

<u>Heater</u>	<u>Heat engine (kg)</u>	<u>Fascia (kg)</u>	<u>Surround and Fascia (kg)</u>
Hanging Deco	8.15	6.72	N/A
Distinction 2	8.15	6.39	N/A
Panache	8.15	N/A	19.0
Washington	8.15	N/A	19.0

- One person should be sufficient to lift Hanging Deco and Distinction 2 heater. We recommend a minimum of two people lift the Panache and Washington models. If for any reason this weight is considered too heavy then obtain assistance.
- When lifting always keep your back straight. Bend your legs and not your back.
- Avoid twisting at the waist. It is better to reposition your feet.
- Avoid upper body/top heavy bending. Always bend from the knees rather than the waist. Do not lean forward or sideways whilst handling the heater.
- Always grip with the palm of the hand. Do not use the tips of fingers for support.
- Always keep the heater as close to the body as possible. This will minimise the cantilever action.
- Use gloves to provide additional grip.
- Always use assistance if required.

INSTALLER AND OWNER GUIDE

2. SAFETY

This appliance is not intended for use by persons (including children) with reduced physical, sensory or mental capabilities, or lack of experience and knowledge, unless they have been given supervision or instruction concerning use of the appliance by a person responsible for their safety.

Always

- **Always** install the heater in accordance with this guide. If in doubt obtain expert advice.
- **Always** make sure the electrical socket is accessible and located adjacent to, but not above the heater.
- **Always** disconnect the heater from the electrical supply before carrying out cleaning, maintenance or replacing the lamps.
- **Always** use a fireguard when young children, infirm persons and pet animals can come into contact with the heater.
- **Always** use genuine Valor Fires spare parts.

Never

- **Never** leave children unsupervised in a room where the heater is ON and unguarded.
- **Never** obstruct or cover the fan outlet or force items into heater openings.
- **Never** obstruct the openings at the base of the heater, this could cause overheating and consequent risk of fire.
- **Never** install or use the heater anywhere where water is in use, i.e. Bathrooms, Kitchens, Shower Rooms, Swimming Pools etc.
- **Never** use aerosols or steam cleaners on or around the heater.
- **Never** route the electric supply cable under carpet etc.
- **Never** install the heater close to curtains or combustible materials.
- **Never** use the heater to dry clothes etc.
- **Never** sit or stand on the heater or surround.

INSTALLER AND OWNER GUIDE

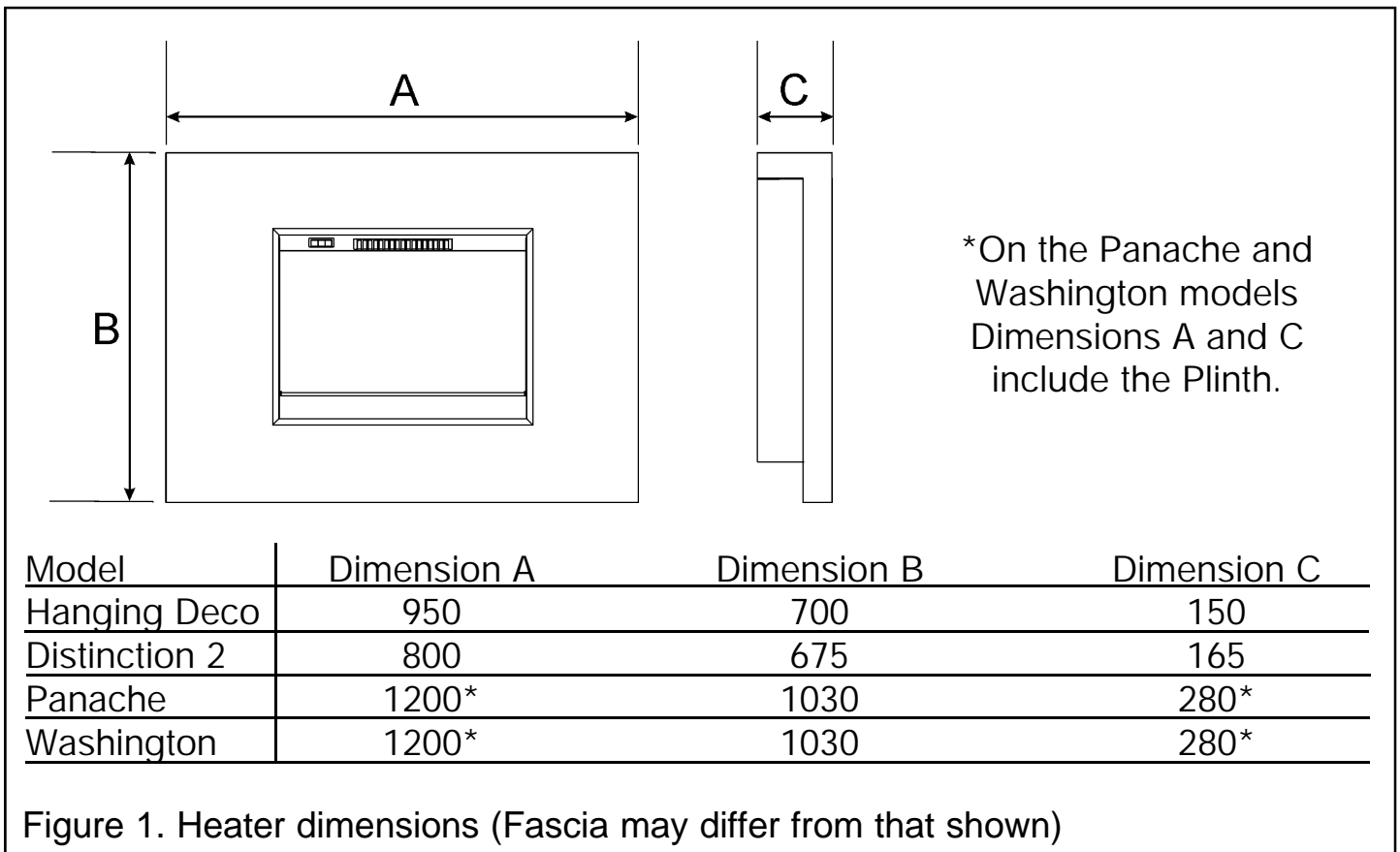
Important Electrical Safety

The heater must **not** be located in front of or under an electrical socket, the socket must always be accessible in order to disconnect the heater from the electrical supply for maintenance and cleaning. On the Panache and Washington models the electrical socket must not be covered by the surround or plinth.

Important! This heater must be earthed.

- The heater is supplied with a 3 pin 13 Amp fused re-wireable plug with 1mm² 3 core cable.
- The wires in the cable are coloured in accordance with the following code:-
Live = Brown
Neutral = Blue
Earth = Green /Yellow
- The electric supply must be safely routed from the heater to an electrical socket. If the electric cable is damaged, to avoid a hazard it must be replaced by a Valor Fires authorised service agent, or similarly qualified person (See page 15 for contact numbers). All external wiring between the heater and the electrical supply shall comply with current IEE regulations.

2. HEATER DIMENSIONS



INSTALLER AND OWNER GUIDE

3. FITTING THE HEATER

The installation of this heater requires a reasonable level of DIY skills. Please read this guide thoroughly before commencing installation and if in doubt, seek help from a competent person.

Before fitting the fuel support ensure that the back page of this guide is completed.

Do I need any tools?

Hanging Deco and Distinction 2 models.

- A Pozidrive / Phillips / cross head. This should have a number 2 size tip. This is required for screwing the lower support bracket and the hanging/retainer brackets to the Hanging Deco fascia.
- A flat ended screwdriver will be required for securing the wall mounting bracket and lower support bracket.
- If drilling into brick work you will need a power drill (preferably with hammer action) and appropriate size drill bit for the wall plugs supplied.

Panache and Washington model.

- A Pozidrive / Phillips / cross head. This should have a number 2 size tip. This is required for screwing the surround to the plinth.

Where can I fit the heater?

Hanging Deco and Distinction 2 models.

The Hanging Deco and Distinction 2 models are designed to be wall mounted on a flat wall. There should be at least 50mm (2 inches) clearance between the top of the fascia and anything such as a shelf, fireplace surround or mantel etc. This will allow the fascia to be lifted off or removed during servicing. To check this gently place the fascia against the surface to which it is to be fixed. Measure the distance from the top of the fascia.

Panache and Washington model.

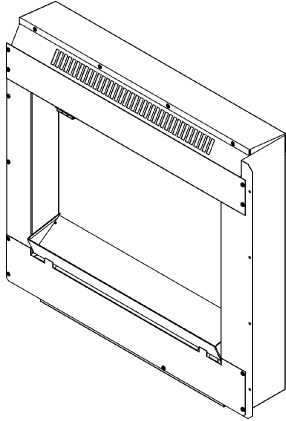
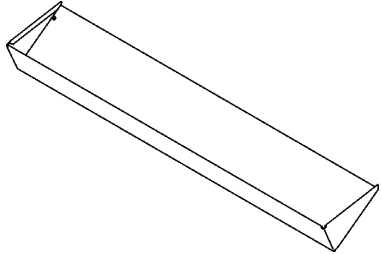
The model is designed to be floor mounted on a level flat floor.

INSTALLER AND OWNER GUIDE

Securing the heater.

The contents have been identified as in figure 2 (The Fascia is not shown). Additional fixings may be required if fitting the heater to a plasterboard wall that has a wooden frame behind it. In such cases we recommend the use of heavy duty cavity fixings.

All models

Contents	Qty	(Illustrations are not to scale)	Contents	Qty	(Illustrations are not to scale)
Heater	1		Fuel support	1	

Hanging Deco and Distinction 2

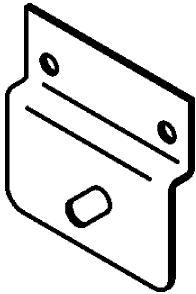
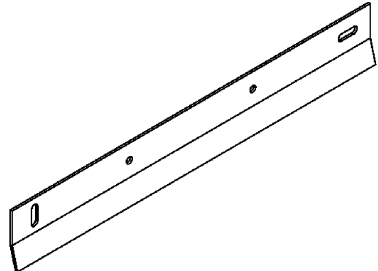



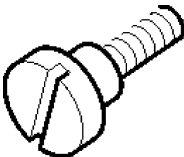
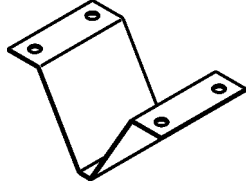
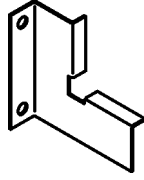

Contents	Qty	(Illustrations are not to scale)	Contents	Qty	(Illustrations are not to scale)
Lower support bracket	1		Wall mounting bracket	1	
Woodscrew	3		Wall plug	3	
No.8 x 3/8 screw	2		Knurled shoulder screw. (Distinction 2 Model)	1	

Figure 2. Contents (Items are not to scale)

INSTALLER AND OWNER GUIDE

Hanging Deco model

Contents	Qty	(Illustrations are not to scale)	Contents	Qty	(Illustrations are not to scale)
Fascia hanging bracket	2		Fascia retaining bracket	2	
No.8 x 3/8 screw	12				

Panache and Washington models


Contents	Qty	(Illustrations are not to scale)
Screw (Surround to Plinth)	6	

Figure 2. Contents continued (Items are not to scale)

Fitting the heater.

Hanging Deco and Distinction 2 models.

1. There is a Lower Support bracket supplied with the heater. Secure this to the rear base of the heater with the two screws supplied (See figure 3).

2. Decide the location of the heater.

3. **'Hanging Deco' fascia only** - If the heater is to be fixed with the bottom of the fascia level with the hearth or finished floor then the wall mounted support bracket needs to be secured as in

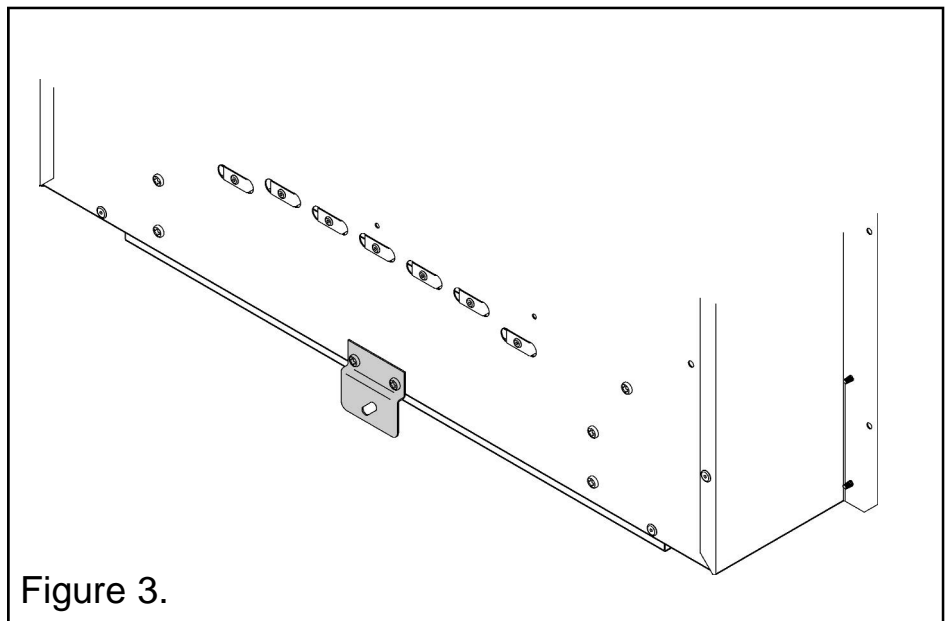


Figure 3.

figure 4. (The dimension shown in figure 4 is a minimum dimension for installations with an 'Hanging Deco' fascia. This dimension can be increased).

3. **'Distinction 2' fascia** - The fascia is secured at the base with two knurled

INSTALLER AND OWNER GUIDE

shoulder screw and therefore cannot be fitted level with the hearth or finished floor level as the 'Hanging Deco' above.

4. If fitting to a conventional brick wall then use the outer slotted holes in the bracket. If fitting to a plasterboard wall that has a wooden frame behind it then use all four fixing holes in the bracket. This is required to spread the load. Mark the positions of the hanging bracket holes on the wall.

5. Drill the marked positions using a suitable sized drill bit for the chosen fixings.

6. Insert the wall plugs / fixings and secure the bracket to the wall using suitable screws.

7. Hang the heater body on the wall hanging bracket.

8. Underneath the heater, mark on the wall the position of the slot in the lower support bracket.

9. Lift the heater off the wall.

10. Drill the marked positions using a suitable sized drill bit for the chosen fixings.

11. Insert the wall plugs / fixings.

12. Hang the heater body on the wall hanging bracket. Secure the bottom of the heater using a suitable screw.

Panache and Washington models.

1. The surround has six holes in its base. The top surface of the plinth has six pilot holes. Place the surround onto the plinth ensuring that the six holes are in line. Secure the surround to the plinth using

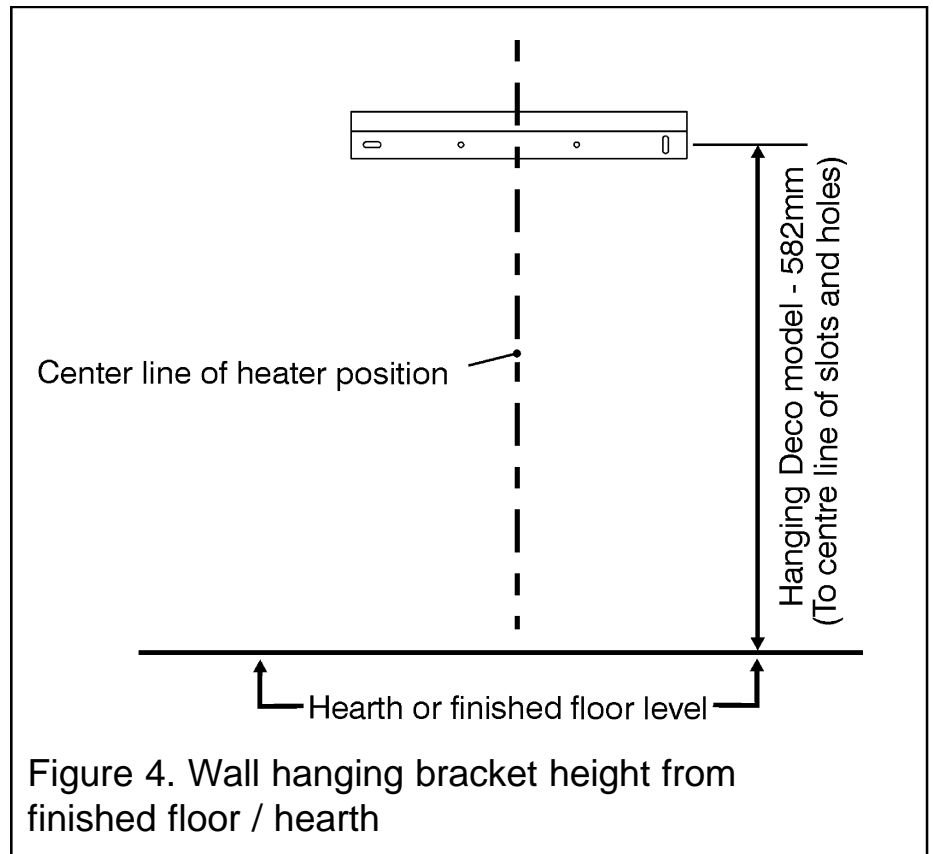


Figure 4. Wall hanging bracket height from finished floor / hearth

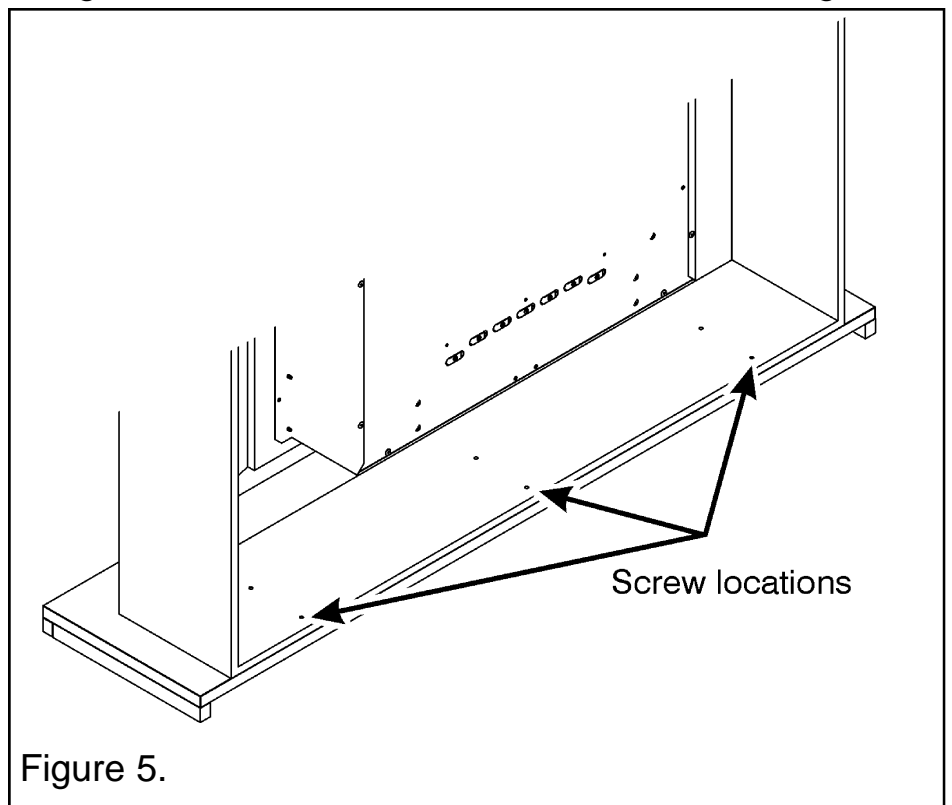


Figure 5.

INSTALLER AND OWNER GUIDE

six screws supplied (See figure 5).

2. Place the surround and plinth assembly against the wall ensuring that the electrical cable is on the required side of the surround.

Fitting the Hanging Deco Fascia.

1. On the underside of the fascia top are two sets of pilot holes. Align the holes in the fascia hanging brackets with the pilot holes and secure using the screws supplied (See figure 6).

2. On the lower rear of the fascia are two sets of pilot holes. Align the holes in the fascia retaining brackets with the pilot holes and secure using the screws supplied (See figure 6).

3. Locate the fascia hanging brackets into those on top of the heater.

4. Swing the bottom of the fascia in to place.

Fitting the Distinction 2 Fascia.

1. The rear of the fascia has two vertical metal strips. The tops of these strips have a 'U' shape. Hang the fascia to the top side flanges of the heater using these 'U' channels (See figure 7).

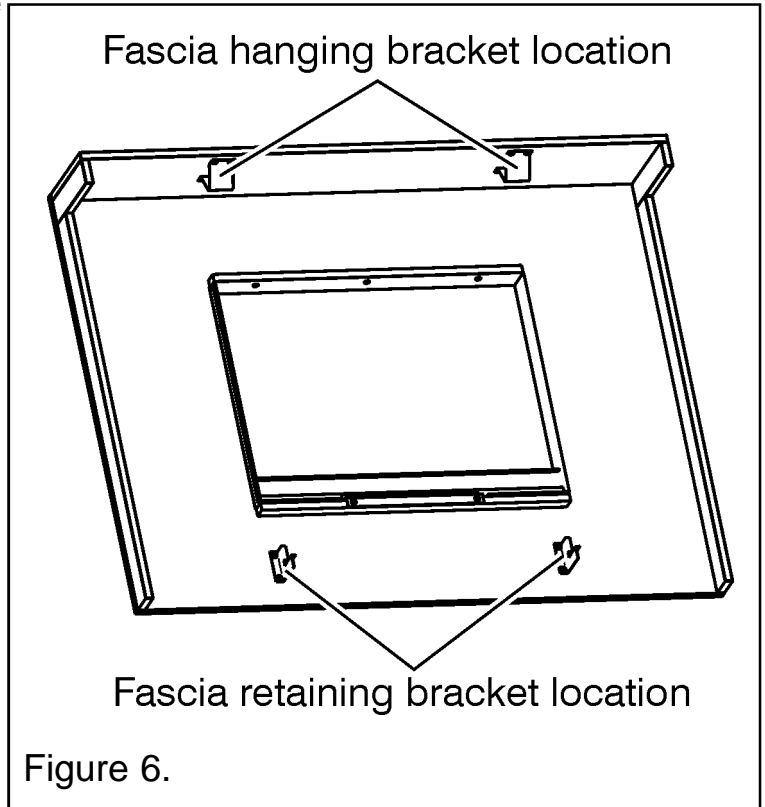


Figure 6.

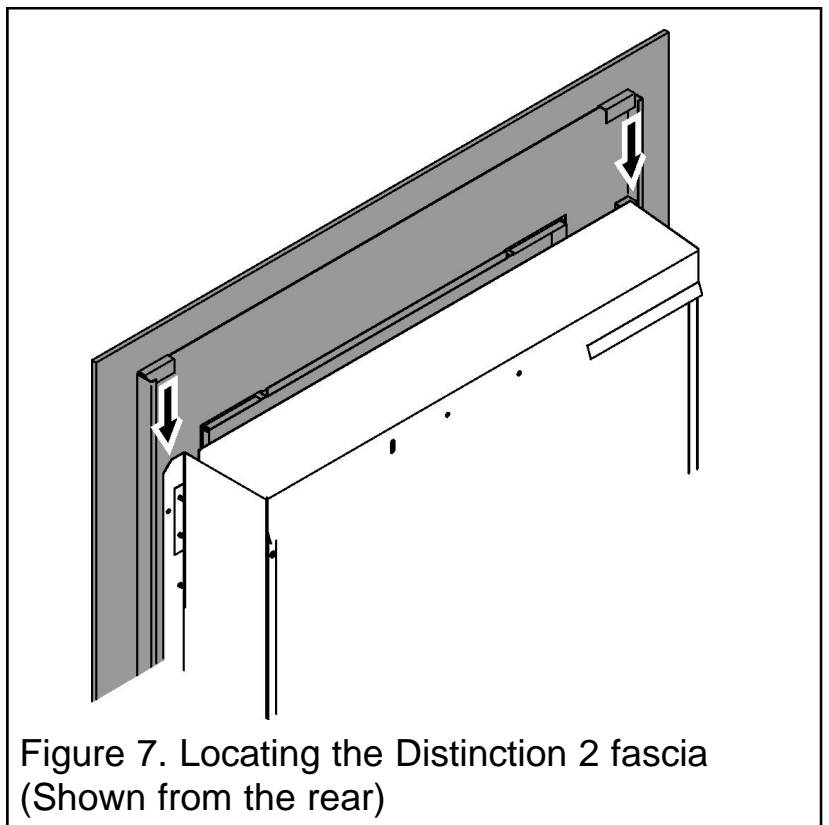


Figure 7. Locating the Distinction 2 fascia (Shown from the rear)

INSTALLER AND OWNER GUIDE

2. The bottom of the fascia has a bracket with two holes. Secure the bottom of the fascia to the heater using the two knurled shoulder screws supplied (See figure 8).

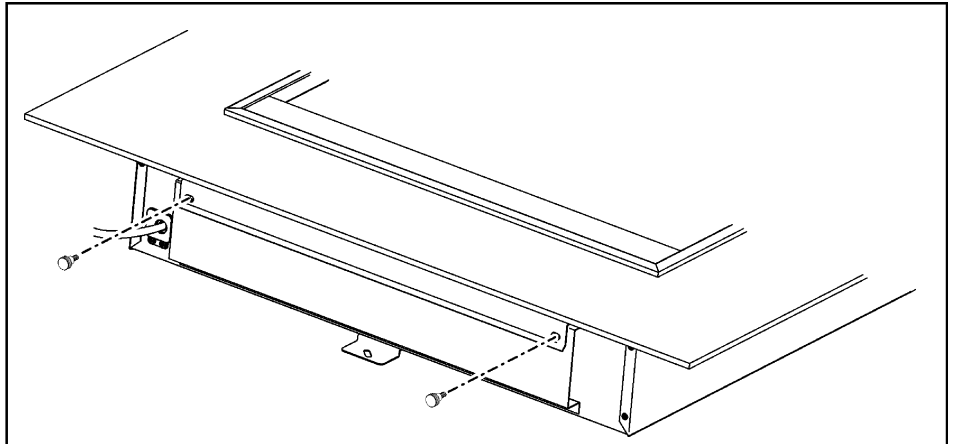


Figure 8. Securing the Distinction 2 fascia

Fitting the Fuel support (All models).

Before fitting the fuel support ensure that the back page of this guide is completed.

1. Locate the fuel support as in figure 9.
2. Place the coals / pebbles on top of the fuel support. It is not necessary to use all the coals / pebbles supplied.

Important notes.

- The coal pieces supplied are a natural material. Occasionally it will be necessary to reduce the size of the coal pieces. To do this place them inside a plastic bag, place on a suitable hard surface and tap gently with a small hammer or similar tool.
- **The coals / pebbles are for decorative purposes only. There is a choke risk to young children. Make sure they cannot gain access to them.**

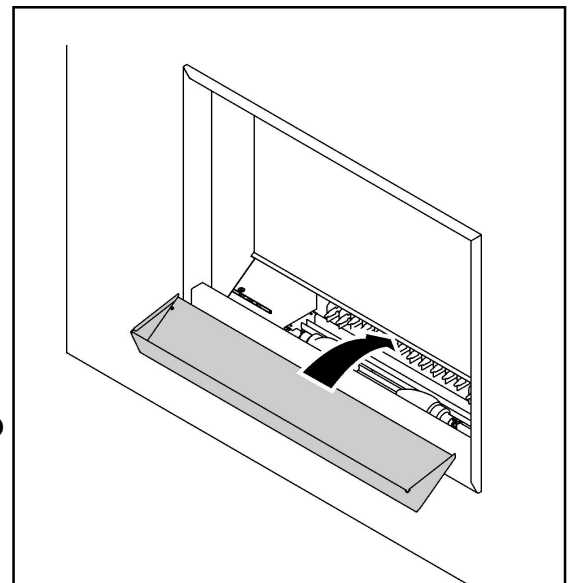


Figure 9. Fuel support locations (Fascia may differ from that shown)

INSTALLER AND OWNER GUIDE

4. USING THE HEATER

Important Safety

Never cover the heater or obstruct the openings at the base of the heater, this could cause overheating and consequent risk of fire.

What are the three switches for?

The heater is operated by three switches located below the hood on the left hand side of the heater.

Switch 1 =  Main On - Off

In the On position only the fuel effect operates

Switch 2 = **I** 1kW fan heat setting and fuel effect

Switch 3 = **II** 2kW fan heat setting and fuel effect

The switches are connected on the inside, so when switch 1 is turned off, all switches turn off.

INSTALLER AND OWNER GUIDE

5. CLEANING AND MAINTAINING THE HEATER

How do I clean my heater?

The heater fascia and plastic parts need only to be wiped clean with a dry soft cloth, do not use polishes or abrasive materials.

I have a problem with my heater!

Important Safety

Before undertaking maintenance or replacing the lamp(s) always disconnect the heater from the electricity supply by removing the 3 pin plug and allowing the heater to cool completely.

1. My heater is on but there is no light or the light appears brighter on one side of the heater.

This is possibly a lamp failure. Remove the lamp(s) as follows and check it / them in a table lamp that is known to work. If it / they do not work in the table lamp then replace as below.

The lamps fitted to this heater are standard clear 40 Watt (maximum) candle, Edison screw, SES E14 lamps, but due to the indeterminate life span and ease of replacement, they are specifically excluded from the guarantee.

To replace the lamp(s).

1. To gain access to the lamp, remove the loose coals / pebbles from the fuel support and place them onto an old newspaper or plastic bag. This will prevent them from marking the surface.
2. Remove the fuel support by lifting clear.
3. Unscrew and replace the lamp(s) with a clear 40 Watt (maximum) candle, Edison screw, SES E14.
4. Refit the fuel support and coals / pebbles.

2. My heater is on but there is no light or heat.

The first thing to do is check the wall socket. To do this plug in a known working appliance. If the appliance you have plugged in works then there is a good chance that the problem lies with the 13Amp fuse in the heater plug. If either fuse or socket is suspected, have them checked by an electrician.

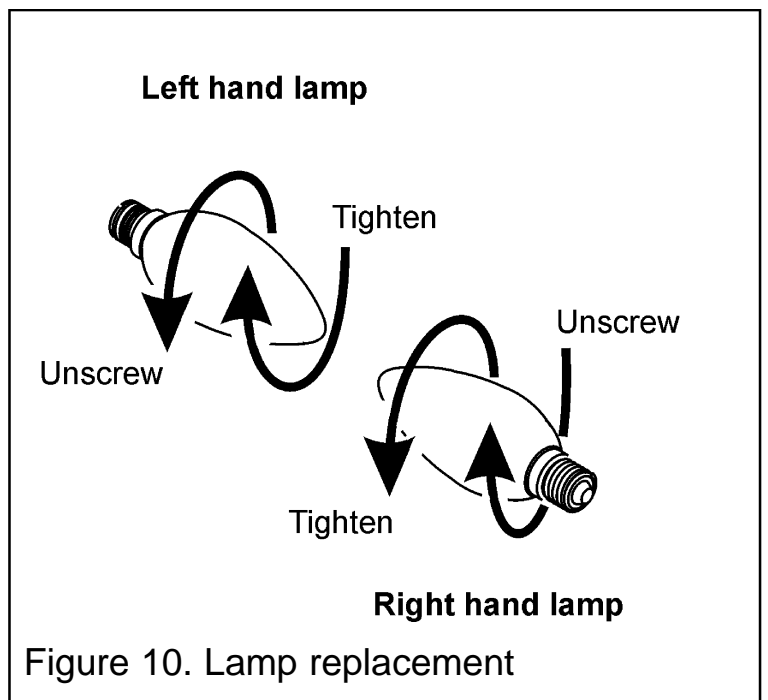


Figure 10. Lamp replacement

INSTALLER AND OWNER GUIDE

3. My heater is on but there is no heat.

A cut out device is fitted to the heater to prevent damage due to over heating. If it operates due to an obstruction in the airflow, the heater must be turned off and allowed to cool for 15 minutes and the obstruction removed before restarting.

4. I Have a problem that is different to those in the previous examples 1- 3.

Following is a list of useful telephone numbers

For general advice about your heater:

VALOR FIRES TECHNICAL HELPLINE 08706 061 065.

To report faults or arrange for your heater to be serviced:

VALOR FIRES SERVICE 08706 090 081.

For sales or product information:

VALOR FIRES SALES 08706 061 067.

CALLERS IN THE REPUBLIC OF IRELAND

Call 0044 8706 061 065

For spares inquiries

Spare parts are available nationwide via the 'interpart stockist network'. For your local stockist consult Yellow pages under 'Central Heating'.

6. ENVIRONMENT

What should I do when I'm ready to dispose of my heater?

The plug should be removed from the mains supply cable and the mains supply cable cut from the heater.

Environmental Protection.



Waste electrical products should not be disposed of with household waste. Please recycle where facilities exist. Check with your local authority or retailer for recycling advice.

Information for the customer

Standard Warranty Terms & Conditions

The warranty is for 12 months subject to contract.

In the United Kingdom servicing can be carried out either by a **heateam** service engineer or a CORGI registered installer.

You must register your heater with **heateam**, the service division of Baxi Heating UK Limited, either by completing and returning the registration card or calling our free telephone registration line on **0800 032 72 44**.

Our promise to you

If you experience a fault with your new heater, we aim to provide a safe and high quality repair service supported by our dedicated national network of highly skilled engineers. Nothing in this warranty will affect your statutory rights.

What you need to do if you experience a problem with the operation of the heater;

Read section 5 of this guide "Cleaning and maintaining the heater". If the problem cannot be resolved simply call our service division **heateam** on **08706 090 081** to book an engineer visit or for any general advice that you may need. Our contact centre is open Monday to Friday 8am – 6pm, weekends and Bank Holidays 8.30am – 2pm, excluding Christmas Day and New Years day.

When calling **heateam**, it would be helpful if you could have the following information to hand:-

1. Heater serial number.
2. Heater brand and model number.
3. Date of installation.
4. Proof of purchase (If you do not have the heater serial number)

Note; details 1 – 3 can be found on the last page of this guide.

What this warranty covers

Free of charge repair or replacement of components found to be of faulty manufacture.

Free of charge replacement of the complete unit providing the failure is related to a manufacturing fault that cannot be repaired or is uneconomic to repair.

INSTALLER AND OWNER GUIDE

What this warranty does not cover

Repairs to heaters which haven't been installed properly and as set out in this guide.

Faults caused by inadequate supply of electricity.

Reimbursement of any third party repair or replacement costs that we haven't been told about or agreed with you in advance.

Compensation or consequential losses (e.g. loss of earnings, business losses, stress and inconvenience) arising from a production breakdown, including repair delays caused by factors outside our reasonable control.

INSTALLER AND OWNER GUIDE

INSTALLER AND OWNER GUIDE

To be completed by the customer:

Model

Serial number (Can be found on the information label - See figure 11)

A LABEL CONTAINING THE SERIAL NUMBER MAY HAVE BEEN PLACED INSIDE THIS BOX.

Fascia name (Block Capitals)

Fascia code - Can be found close to the information label (Block Capitals)

A LABEL CONTAINING THE FASCIA CODE MAY HAVE BEEN PLACED INSIDE THIS BOX.

Brand (Please tick)

Baxi

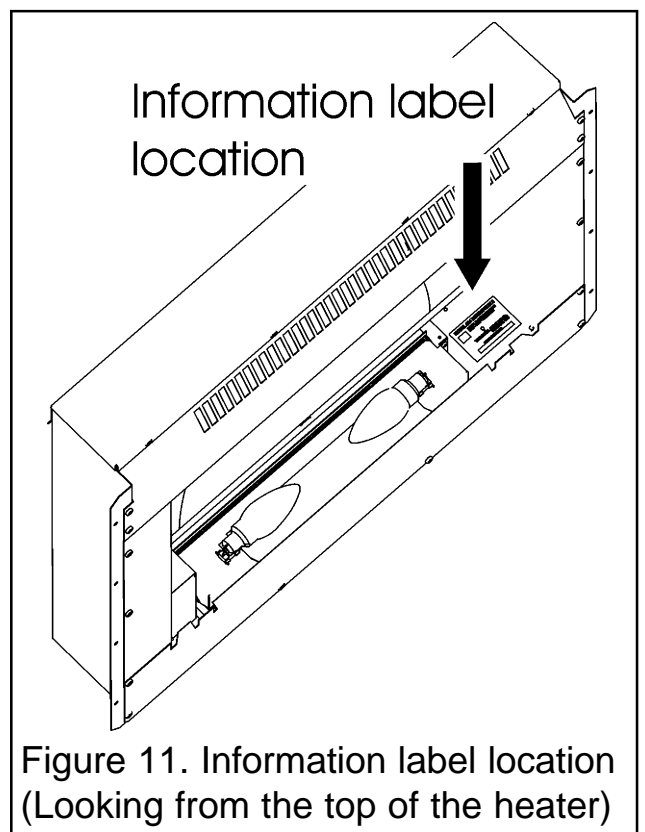
Valor

Wonderfire

Other.....

Date of Installation

D D M M Y Y



VALOR FIRES