

BAXI FIRES DIVISION

INSTALLER AND OWNER GUIDE

Model 834

Electric Heater

fitted with one of the following fascia

Hanging Deco, Distinction, Panache or Washington.

(GC No. EF-032-24)



This guide is intended to help you install and care for your Baxi Fires Division electric heater. Please read carefully before installing and using your heater. However, if further information is required, our **Baxi Fires Division Technical Helpline** will be pleased to help.
Telephone **08706 061 065**
(National call rates apply in the United Kingdom)
In the Republic of Ireland
Telephone **0044 8706 061 065**



BAXI ● VALOR ● WONDERFIRE

Important: Please keep your guide in a safe place for future reference.

INSTALLER AND OWNER GUIDE

© Baxi Heating U.K. Limited 2006.

All rights reserved. No part of this publication may be reproduced in any material form (including photocopying), stored in any medium by electronic means (including in any retrieval system or database) or transmitted, in any form or by any means, whether electronic, mechanical, recording or otherwise, without the prior written permission of the copyright owner.

Applications for the copyright owner's permission to reproduce any part of this publication should be made, giving details of the proposed use, to the following address: The Company Secretary, Baxi Heating UK Limited, Pentagon House, Sir Frank Whittle Road, Derby, DE21 4XA.

Warning: Any person who does any unauthorised act in relation to a copyright work may be liable to criminal prosecution and civil claims for damages.

B A X I F I R E S D I V I S I O N

Baxi Fires Division, Erdington, Birmingham B24 9QP
www.firesandstoves.co.uk

Because our policy is one of constant development and improvement, details may vary slightly from those given in this publication

INSTALLER AND OWNER GUIDE

Safety First.

Baxi Fires Division heaters are CE Approved and designed to meet the appropriate British Standards and Safety Marks.



Quality and Excellence.

All Baxi Fires Division heaters are manufactured to the highest standards of quality and excellence and are manufactured under a BS EN ISO 9001 quality system accepted by the British Standards Institute.



CUSTOMER CARE

Thank you for choosing Baxi Fires Division

All Baxi Fires Division heaters are designed to meet the most stringent quality, performance and safety requirements to provide our customers with many years of trouble free service. This guide aims to improve your understanding and appreciation of your new heater, by providing simple and informative instructions to enable you to install it and to ensure that you benefit from the excellent performance and features it has to offer.

If you require further assistance, the **Baxi Fires Division Technical Helpline** will be pleased to help.

Please telephone **08706 061 065** (local rates apply in the United Kingdom).

In the Republic of Ireland telephone **0044 8706 061 065**.

FOR OTHER USEFUL TELEPHONE NUMBERS SEE PAGE 12 OF THIS GUIDE

INSTALLER AND OWNER GUIDE

HANDLING AND UNPACKING

The 'Distinction' model is supplied with the fascia fitted to the heater. We recommend that this is removed before continuing with the installation. To do this, remove the two thumbscrews at the base of the heater, pull the bottom of the fascia forward and lift the fascia clear of the heater.

Fascia parts may be covered in protective film. Ensure that this has been removed before using the heater.

Before continuing any further with the installation of this heater please read the following:

Important safety instructions.

- The lifting weights of the heater parts are listed below: -

<u>Heater</u>	<u>Heat engine (kg)</u>	<u>Fascia (kg)</u>	<u>Surround and Fascia (kg)</u>
Hanging Deco	8.15	6.72	N/A
Distinction	8.15	8.5	N/A
Panache	8.15	N/A	19.0
Washington	8.15	N/A	19.0

- One person should be sufficient to lift Hanging Deco and Distinction heater. We recommend a minimum of two people lift the Panache and Washington models. If for any reason this weight is considered too heavy then obtain assistance.
- When lifting always keep your back straight. Bend your legs and not your back.
- Avoid twisting at the waist. It is better to reposition your feet.
- Avoid upper body/top heavy bending. Always bend from the knees rather than the waist. Do not lean forward or sideways whilst handling the heater.
- Always grip with the palm of the hand. Do not use the tips of fingers for support.
- Always keep the heater as close to the body as possible. This will minimise the cantilever action.
- Use gloves to provide additional grip.
- Always use assistance if required.

Always

- **Always** install the heater in accordance with this guide. If in doubt obtain expert advice.
- **Always** make sure the electrical socket is accessible and located adjacent to, but not above the heater.
- **Always** disconnect the heater from the electrical supply before carrying out

INSTALLER AND OWNER GUIDE

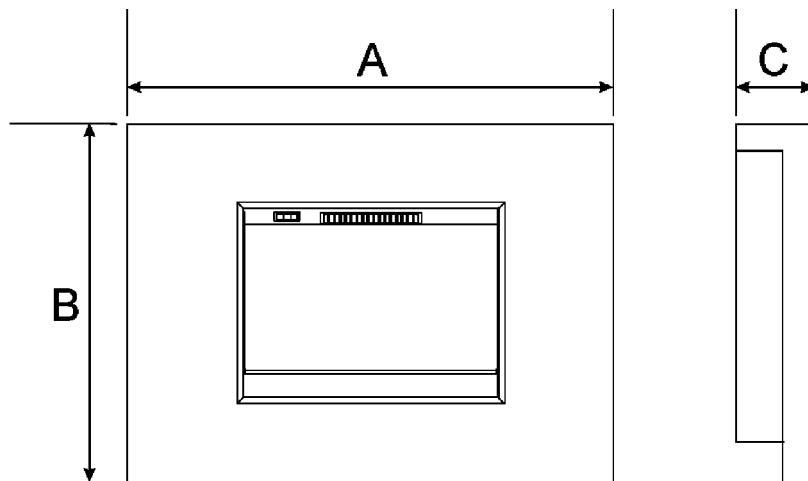
cleaning, maintenance or replacing the light bulbs.

- **Always** use a fireguard when young children, infirm persons and pet animals can come into contact with the heater.
- **Always** use genuine Baxi Fires Division spare parts.

Never

- **Never** leave children unsupervised in a room where the heater is ON and unguarded.
- **Never** obstruct or cover the fan outlet or force items into heater openings.
- **Never** obstruct the openings at the base of the heater, this could cause overheating and consequent risk of fire.
- **Never** install or use the heater anywhere where water is in use, i.e. Bathrooms, Kitchens, Shower Rooms, Swimming Pools etc.
- **Never** use aerosols or steam cleaners on or around the heater.
- **Never** route the electric supply cable under carpet etc.
- **Never** install the heater close to curtains or combustible materials.
- **Never** use the heater to dry clothes etc.
- **Never** sit or stand on the heater or surround.

HEATER DIMENSIONS



*On the Panache and Washington models Dimensions A and C include the Plinth.

Model	Dimension A	Dimension B	Dimension C
Hanging Deco	950	700	150
Distinction	800	675	165
Panache	1200*	1030	280*
Washington	1200*	1030	280*

Figure 1. Heater dimensions (Fascia may differ from that shown)

INSTALLER AND OWNER GUIDE

FITTING THE HEATER

The installation of this heater requires a reasonable level of DIY skills. Please read this guide thoroughly before commencing installation and if in doubt, seek help from a competent person.

Do I need any tools?

Hanging Deco and Distinction models.

- A Pozidrive / Phillips / cross head. This should have a number 2 size tip. This is required for screwing the lower support bracket and the hanging/retainer brackets to the Hanging Deco fascia.
- A flat ended screwdriver will be required for securing the wall mounting bracket and lower support bracket.
- If drilling into brick work you will need a power drill (preferably with hammer action) and appropriate size drill bit for the wall plugs supplied.

Panache and Washington model.

- A Pozidrive / Phillips / cross head. This should have a number 2 size tip. This is required for screwing the surround to the plinth.

Where can I fit the heater?

Hanging Deco and Distinction models.

The Hanging Deco and Distinction models are designed to be wall mounted on a flat wall. There should be at least 50mm (2 inches) clearance between the top of the fascia and anything such as a shelf, fireplace surround or mantel etc. This will allow the fascia to be lifted off or removed during servicing. To check this gently place the fascia against the surface to which it is to be fixed. Measure the distance from the top of the fascia.

Panache and Washington model.

The model is designed to be floor mounted on a level flat floor.

Important electrical safety.

The heater must **not** be located in front of or under an electrical socket, the socket must always be accessible in order to disconnect the heater from the electrical supply for maintenance and cleaning. On the Panache and Washington models the electrical socket must not be covered by the surround or plinth.

INSTALLER AND OWNER GUIDE

Important! This heater must be earthed.

- The heater is supplied with a 3 pin 13 Amp fused re-wireable plug with 1mm² 3 core cable.
- The wires in the cable are coloured in accordance with the following code: -
 - Live = Brown
 - Neutral = Blue
 - Earth = Green / Yellow
- The electric cable must be safely routed from the heater to an electrical socket.

If the electric cable is damaged, to avoid a hazard it must be replaced by a Baxi Fires Division authorised service agent, or similarly qualified person (See page 12 of this guide for useful telephone numbers).

All external wiring between the heater and the electrical supply shall comply with current IEE regulations.

Heater fixing.

All fixings supplied with the heaters have been identified in figure 2.

Additional fixings may be required if fitting the heater to a plasterboard wall that has a wooden frame behind it. In such cases we recommend the use of heavy duty cavity fixings.

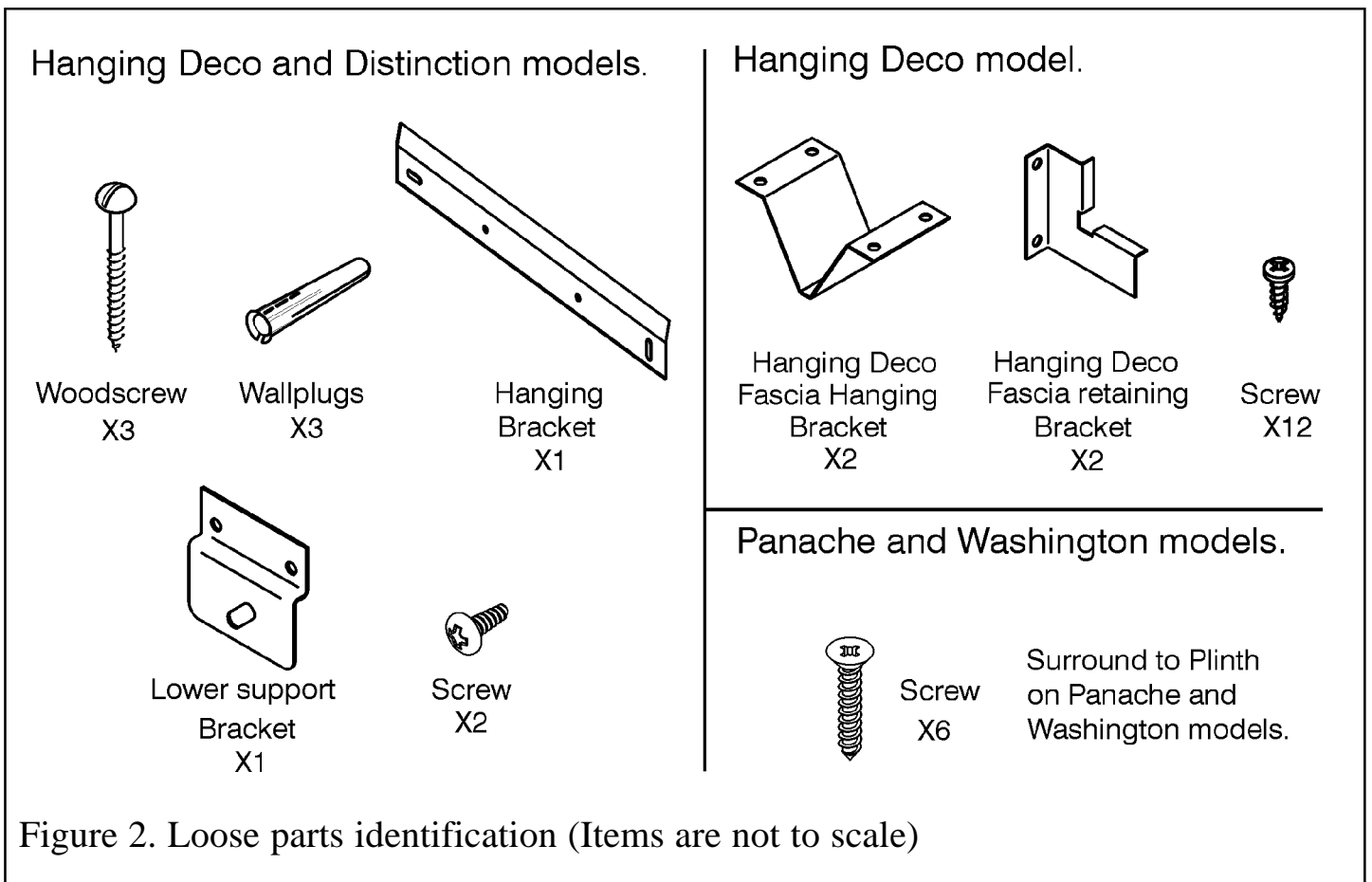


Figure 2. Loose parts identification (Items are not to scale)

INSTALLER AND OWNER GUIDE

Fitting the heater.

Hanging Deco and Distinction models.

1. There is a Lower Support bracket supplied with the heater. Secure this to the rear base of the heater with the two screws supplied (See figure 3).

2. Decide the location of the heater.

3. **'Hanging Deco' fascia only** - If the heater is to be fixed with the bottom of the fascia level with the hearth or finished floor then the wall mounted support bracket

needs to be secured as in figure 4. (The dimension shown in figure 4 is a minimum dimension for installations with an 'Hanging Deco' fascia. This dimension can be increased).

3. **'Distinction' fascia** - The fascia is secured at the base with two thumbscrews and therefore cannot be fitted level with the hearth or finished floor level as the 'Hanging Deco' above.

4. If fitting to a conventional brick wall then use the outer slotted holes in the bracket. If fitting to a plasterboard wall that has a wooden frame behind it then use all four fixing holes in the bracket. This is required to spread the load. Mark the positions of the hanging bracket holes on the wall.

5. Drill the marked positions using a suitable sized drill bit for the chosen fixings.

6. Insert the wall plugs / fixings and secure the bracket to the wall using suitable screws.

7. Hang the heater body on the wall hanging bracket.

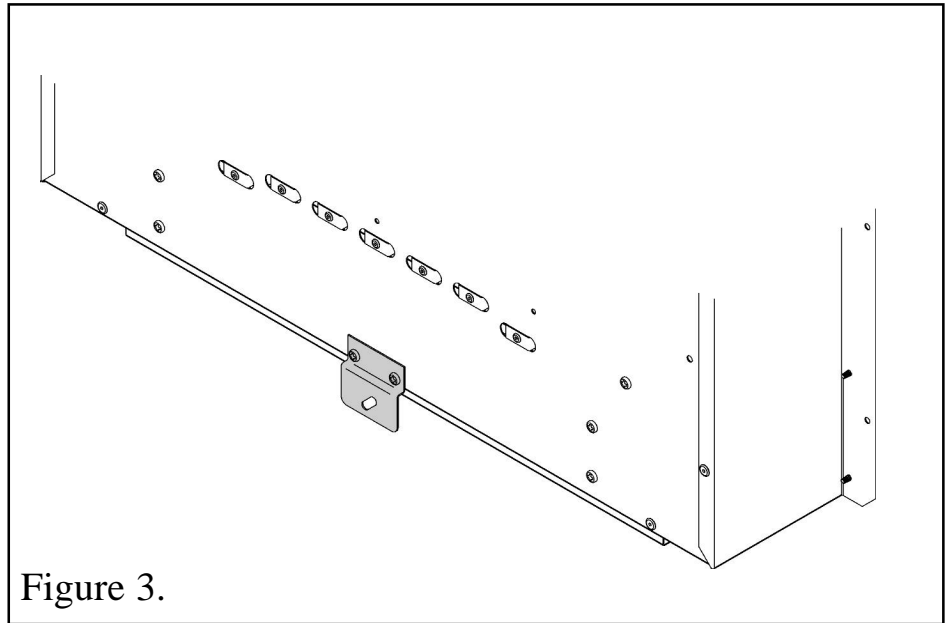


Figure 3.

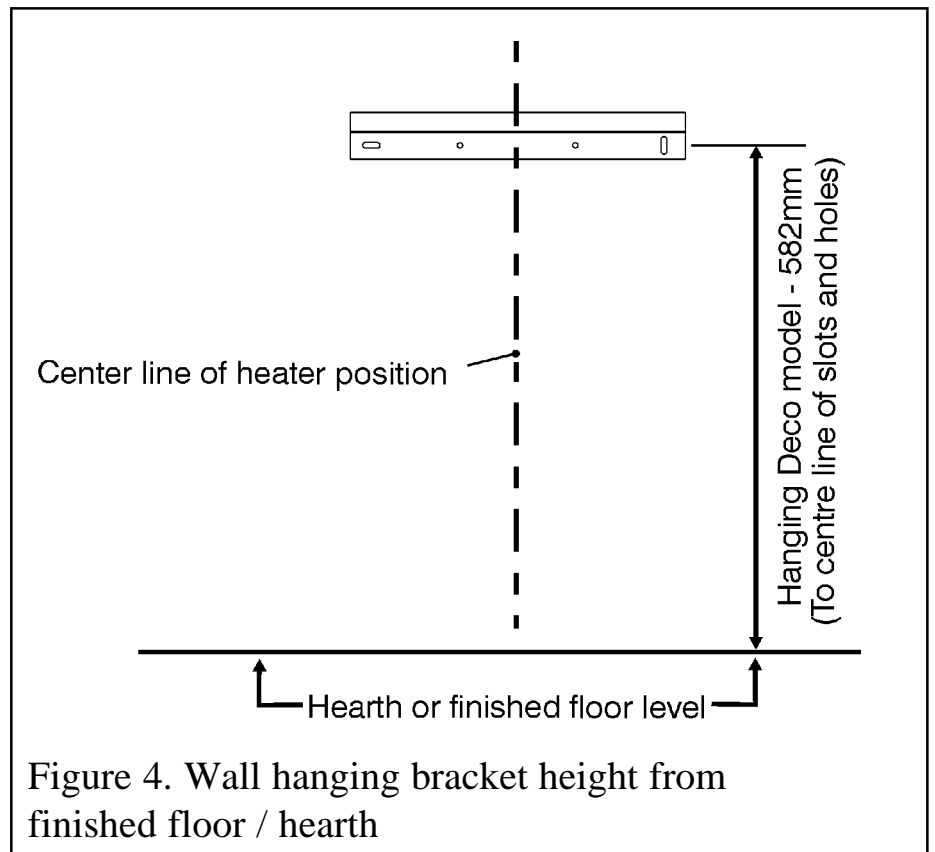


Figure 4. Wall hanging bracket height from finished floor / hearth

INSTALLER AND OWNER GUIDE

8. Underneath the heater, mark on the wall the position of the slot in the lower support bracket.
9. Lift the heater off the wall.
10. Drill the marked positions using a suitable sized drill bit for the chosen fixings.
11. Insert the wall plugs / fixings.
12. Hang the heater body on the wall hanging bracket. Secure the bottom of the heater using a suitable screw.

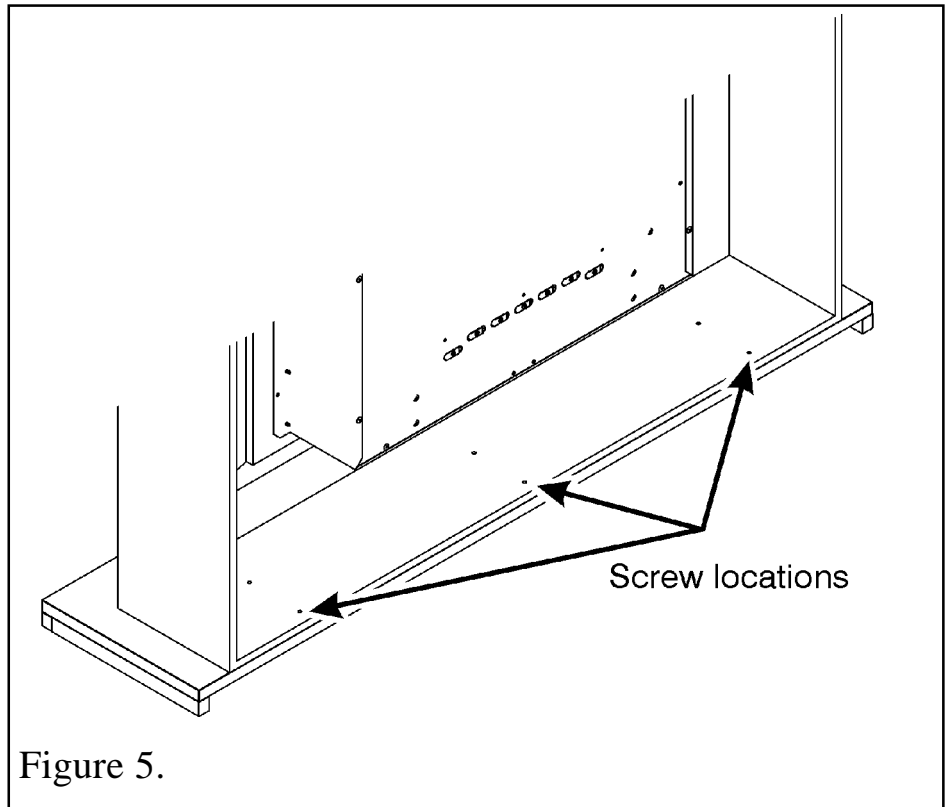


Figure 5.

Panache and Washington models.

1. The surround has six holes in its base. The top surface of the plinth has six pilot holes. Place the surround onto the plinth ensuring that the six holes are in line. Secure the surround to the plinth using six screws supplied (See figure 5).
2. Place the surround and plinth assembly against the wall ensuring that the electrical cable is on the required side of the surround.

Fitting the Hanging Deco Fascia.

1. On the underside of the fascia top are two sets of pilot holes. Align the holes in the fascia hanging brackets with the pilot holes and secure using the screws supplied (See figure 6).
2. On the lower rear of the fascia are two sets of pilot holes. Align the holes in the fascia retaining brackets with the pilot holes and secure using the screws supplied (See figure 6).
3. Locate the fascia hanging brackets into those on top of the heater.
4. Swing the bottom of the fascia in to place.

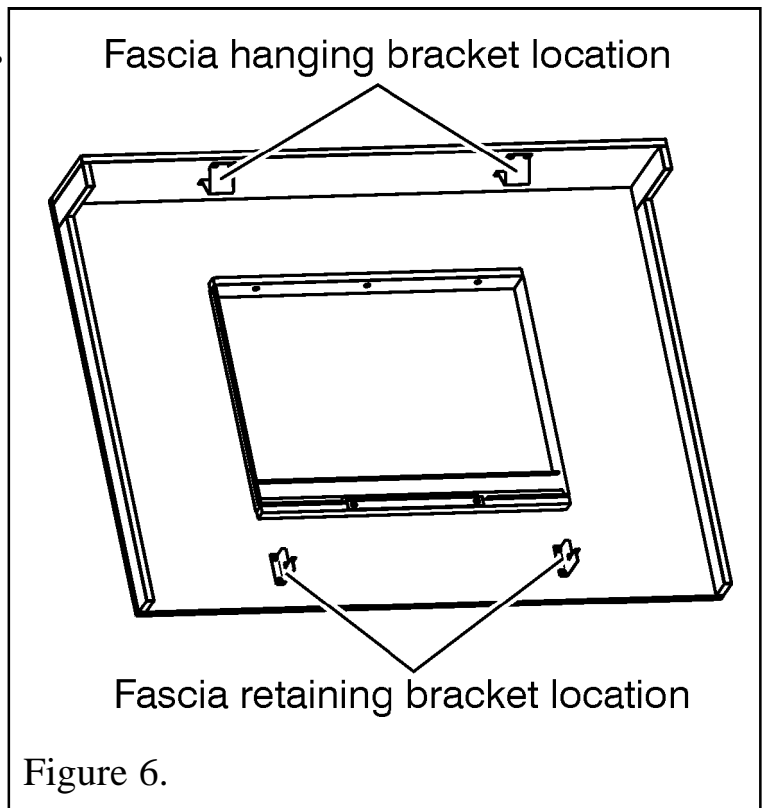


Figure 6.

INSTALLER AND OWNER GUIDE

Fitting the Distinction Fascia.

1. Fit the fascia and secure using the thumbscrews removed previously.

Fitting the Fuel support (All models).

1. Locate the fuel support as in figure 7.
2. Place the coals on top of the fuel support. It is not necessary to use all the coals supplied.

Important notes.

- The coal pieces supplied are a natural material. Occasionally it will be necessary to reduce the size of the coal pieces. To do this place them inside a plastic bag, place on a suitable hard surface and tap gently with a small hammer or similar tool.
- **The coals are for decorative purposes only.**
There is a choke risk to young children. Make sure they cannot gain access to them.

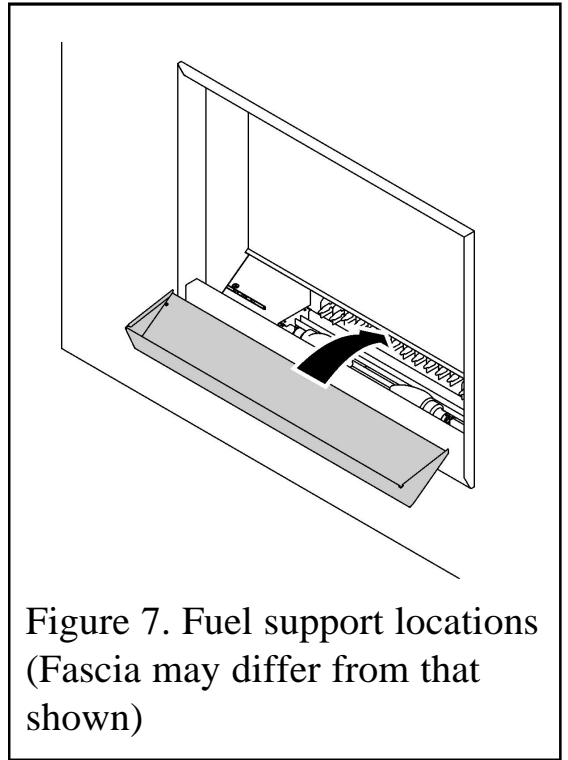


Figure 7. Fuel support locations (Fascia may differ from that shown)

USING THE HEATER

Important Safety

Never cover the heater or obstruct the openings at the base of the heater, this could cause overheating and consequent risk of fire.

What are the three switches for?

The heater is operated by three switches located below the hood on the left hand side of the heater.

Switch 1 =  Main On - Off

In the On position only the fuel effect operates

Switch 2 =  1kW fan heat setting and fuel effect

Switch 3 =  2kW fan heat setting and fuel effect

The switches are connected on the inside, so when switch 1 is turned off, all switches turn off.

How do I clean my heater?

The heater fascia and plastic parts need only to be wiped clean with a dry soft cloth, do not use polishes or abrasive materials. The 'Distinction' fascia is NOT glass fronted and will be damaged by the use of polishes or abrasive materials.

I have a problem with my heater!

Important Safety

Before undertaking maintenance or replacing the light bulb(s) always disconnect the heater from the electricity supply by removing the 3 pin plug and allowing the heater to cool completely.

1. My heater is on but there is no light or the light appears brighter on one side of the heater.

This is possibly a light bulb failure. Remove the light bulb(s) as follows and check it / them in a table lamp that is known to work. If it / they do not work in the table lamp then replace as below.

The light bulbs fitted to this heater are standard clear 40 Watt (maximum) candle, Edison screw, SES E14 lamps, but due to the indeterminate life span and ease of replacement, they are specifically excluded from the guarantee.

To replace the light bulb(s).

1. To gain access to the light bulb, remove the loose coals from the fuel support and place them onto an old newspaper or plastic bag. This will prevent them from marking the surface.
2. Remove the fuel support by lifting clear.
3. Unscrew and replace the light bulb(s) with a clear 40 Watt (maximum) candle, Edison screw, SES E14.
4. Refit the fuel support and coals.

2. My heater is on but there is no light or heat.

The first thing to do is check the wall socket. To do this plug in a known working appliance. If the appliance you have plugged in works then there is a good chance that the problem lies with the 13Amp fuse in the heater plug. If either fuse or socket is suspected, have them checked by an electrician.

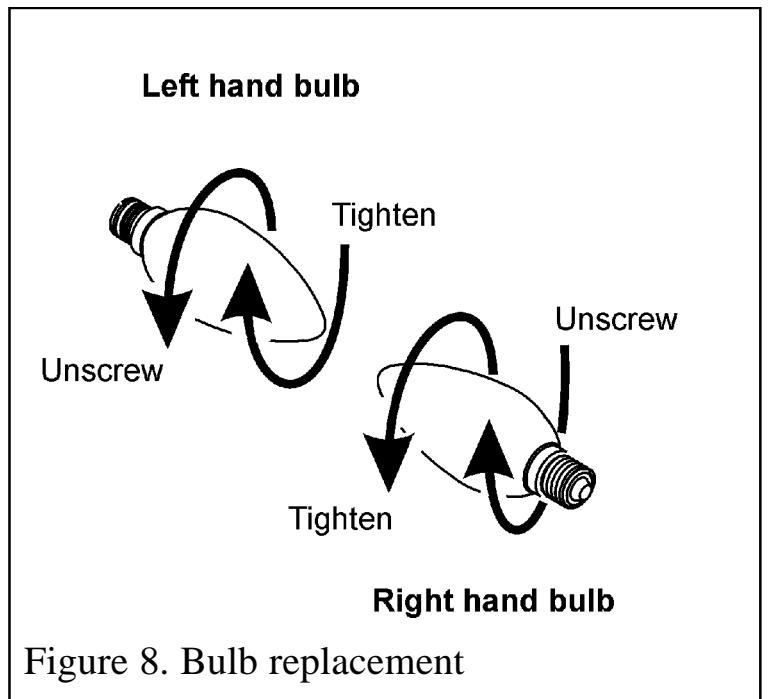


Figure 8. Bulb replacement

INSTALLER AND OWNER GUIDE

3. My heater is on but there is no heat.

A cut out device is fitted to the heater to prevent damage due to over heating. If it operates due to an obstruction in the airflow, the heater must be turned off and allowed to cool for 15 minutes and the obstruction removed before restarting.

4. I Have a problem that is different to those in the previous examples 1- 3.

Following is a list of useful telephone numbers

For general advice about your heater:

BAXI FIRES DIVISION TECHNICAL HELPLINE 08706 061 065.

To report faults or arrange for your heater to be serviced:

BAXI FIRES DIVISION SERVICE 08706 090 081.

For sales or product information:

BAXI FIRES DIVISION SALES 08706 061 067.

CALLERS IN THE REPUBLIC OF IRELAND

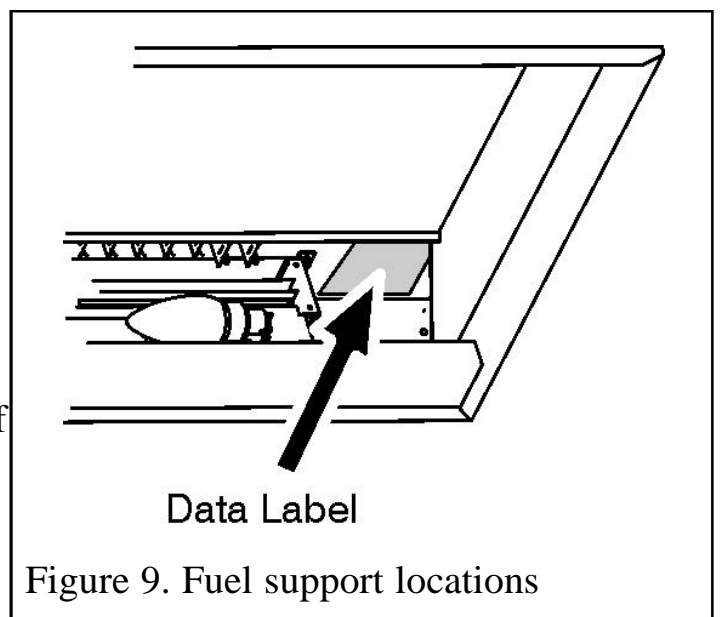
Call **0044 8706 061 065**

For spares inquiries

Spare parts are available nationwide via the ‘interpart stockist network’. For your local stockist consult Yellow pages under ‘Central Heating’.

When ordering spare parts please have the below information available. This will help us to deal with your call quicker and avoid you having to make a second call.

- Your Post Code
- Type of Heater (Electric or gas)
- The fault, problem or request.
- Model, Name and serial number (This information can be found on a small label attached to the inside lower right of the heater. To see this you will have to remove the coals and fuel support. The label is located on the right of the fan unit. See figure 9).



INSTALLER AND OWNER GUIDE

What should I do when I'm ready to dispose of my heater?

The plug should be removed from the mains supply cable and the mains supply cable cut from the heater.

Environmental Protection.



Waste electrical products should not be disposed of with household waste. Please recycle where facilities exist. Check with your local authority or retailer for recycling advice.