

BAXI FIRES DIVISION

INSTALLER AND OWNER GUIDE

Model 826

Dream LongLite

Electric Heater incorporating the

Baxi Fires Division **FireSlide**[®] Control

(EF-032-26)



This guide is intended to help you install and care for your Baxi Fires Division electric heater. Please read carefully before installing and using your heater. However, if further information is required, our **Baxi Fires Division Technical Helpline** will be pleased to help.
 Telephone **08706 061 065**
 (National call rates apply in the United Kingdom)
 In the Republic of Ireland
 Telephone **0044 8706 061 065**



BAXI ● VALOR ● WONDERFIRE

Important: Please keep your guide in a safe place for future reference

INSTALLER AND OWNER GUIDE

© Baxi Heating U.K. Limited 2006.

All rights reserved. No part of this publication may be reproduced in any material form (including photocopying), stored in any medium by electronic means (including in any retrieval system or database) or transmitted, in any form or by any means, whether electronic, mechanical, recording or otherwise, without the prior written permission of the copyright owner.

Applications for the copyright owner's permission to reproduce any part of this publication should be made, giving details of the proposed use, to the following address:
The Company Secretary, Baxi Heating UK Limited, Pentagon House, Sir Frank Whittle Road, Derby, DE21 4XA.

Warning: Any person who does any unauthorised act in relation to a copyright work may be liable to criminal prosecution and civil claims for damages.

B A X I F I R E S D I V I S I O N

Baxi Fires Division, Erdington, Birmingham B24 9QP
www.firesandstoves.co.uk

Because our policy is one of constant development and improvement, details may vary slightly from those given in this publication

INSTALLER AND OWNER GUIDE

Safety First.

Baxi Fires Division heaters are CE Approved and designed to meet the appropriate British Standards and Safety Marks.



Quality and Excellence.

All Baxi Fires Division heaters are manufactured to the highest standards of quality and excellence and are manufactured to ISO 9001

CUSTOMER CARE

Thank you for choosing Baxi Fires Division

All Baxi Fires Division heaters are designed to meet the most stringent quality, performance and safety requirements to provide our customers with many years of trouble free service. This guide aims to improve your understanding and appreciation of your new heater, by providing simple and informative instructions to enable you to install it and to ensure that you benefit from the excellent performance and features it has to offer.

If you require further assistance, the **Baxi Fires Division Technical Helpline** will be pleased to help.

Please telephone **08706 061 065** (local rates apply in the United Kingdom).

In the Republic of Ireland telephone **0044 8706 061 065**.

FOR OTHER USEFUL TELEPHONE NUMBERS SEE PAGE 13 OF THIS GUIDE

INSTALLER AND OWNER GUIDE

HANDLING AND UNPACKING

Before continuing any further with the installation of this heater please read the following:

Important safety instructions.

- The approximate lifting weights of the heater parts are listed below: -

<u>Heat engine (kg)</u>	<u>Firefront (kg)</u>	<u>Fascia (kg)</u>	<u>Spacer* (kg)</u>	<u>Top Coal (kg)</u>
5.9	4.48	8.79	1.74	0.72

* An optional spacer frame kit is obtainable either from the your heater supplier or direct from Baxi Fires Division Sales. The kit is a 75mm (3 inch) spacer kit (Kit number 0582631).

- One person should be sufficient to lift the heater. If for any reason this weight is considered too heavy then obtain assistance.
- When lifting always keep your back straight. Bend your legs and not your back.
- Avoid twisting at the waist. It is better to reposition your feet.
- Avoid upper body/top heavy bending. Always bend from the knees rather than the waist. Do not lean forward or sideways whilst handling the heater.
- Always grip with the palm of the hand. Do not use the tips of fingers for support.
- Always keep the heater as close to the body as possible. This will minimise the cantilever action.
- Use gloves to provide additional grip.
- Always use assistance if required.

Always

- **Always** install the heater in accordance with this guide. If in doubt obtain expert advice.
- **Always** make sure the electrical socket is accessible and located adjacent to, but not above the heater.
- **Always** disconnect the heater from the electrical supply before carrying out cleaning, maintenance or replacing the light bulb.
- **Always** make sure the heater is firmly secured to prevent it from being tipped over.
- **Always** use a fireguard when young children and infirm persons can come into contact with the heater.
- **Always** use genuine Baxi Fires Division spare parts.

INSTALLER AND OWNER GUIDE

Never

- **Never** leave children unsupervised in a room where the heater is ON and unguarded.
- **Never** obstruct or cover the fan outlet or force items into heater openings.
- **Never** install or use the heater anywhere where water is in use, i.e. Bathrooms, Kitchens, Shower Rooms, Swimming Pools etc.
- **Never** use aerosols or steam cleaners on or around the heater.
- **Never** route the electric supply cable under carpet etc.
- **Never** install the heater close to curtains or combustible materials.
- **Never** use the heater to dry clothes etc.
- **Never** sit or stand on the heater.

FITTING THE HEATER

The installation of this heater requires a reasonable level of DIY skills. Please read this guide thoroughly before commencing installation and if in doubt, seek help from a competent person.

Do I need any tools?

1. Depending upon the chosen method of installation you may need the following tools: -

- **A Hexagonal Key (Supplied with the heater).**
- **A Pozidrive / Phillips / cross head screwdriver.** This should have a number 2 size tip.

2. If drilling into brickwork you will need a power drill (preferably with hammer action) and appropriate size drill bit for the wall plugs supplied.

Where can I fit the heater?

This heater can be fitted into fireplaces or surrounds where the following dimensions are available.

Width	400mm - 450 mm (15.35 inches - 17.72 inches)
Height	555mm - 590 mm (21.9 inches - 23.2 inches)
Depth	At least 75mm (At least 3 inches)

An optional spacer frame kit is obtainable either from the your heater supplier or direct from Baxi Fires Division Sales. The kit is a 75mm (3 inch) spacer kit (Kit number 0582631).

INSTALLER AND OWNER GUIDE

Important electrical safety.

The heater must **not** be located in front of or under an electrical socket, the socket must always be accessible in order to disconnect the heater from the electrical supply for maintenance and cleaning.

Important! This heater must be earthed.

- The heater is supplied with a 3 pin 13 Amp fused re-wireable plug with 1mm² 3 core cable.
- The wires in the cable are coloured in accordance with the following code: -
 - Live = Brown
 - Neutral = Blue
 - Earth = Green / Yellow
- The electric cable must be safely routed from the heater to an electrical socket.

Moving the cable guide.

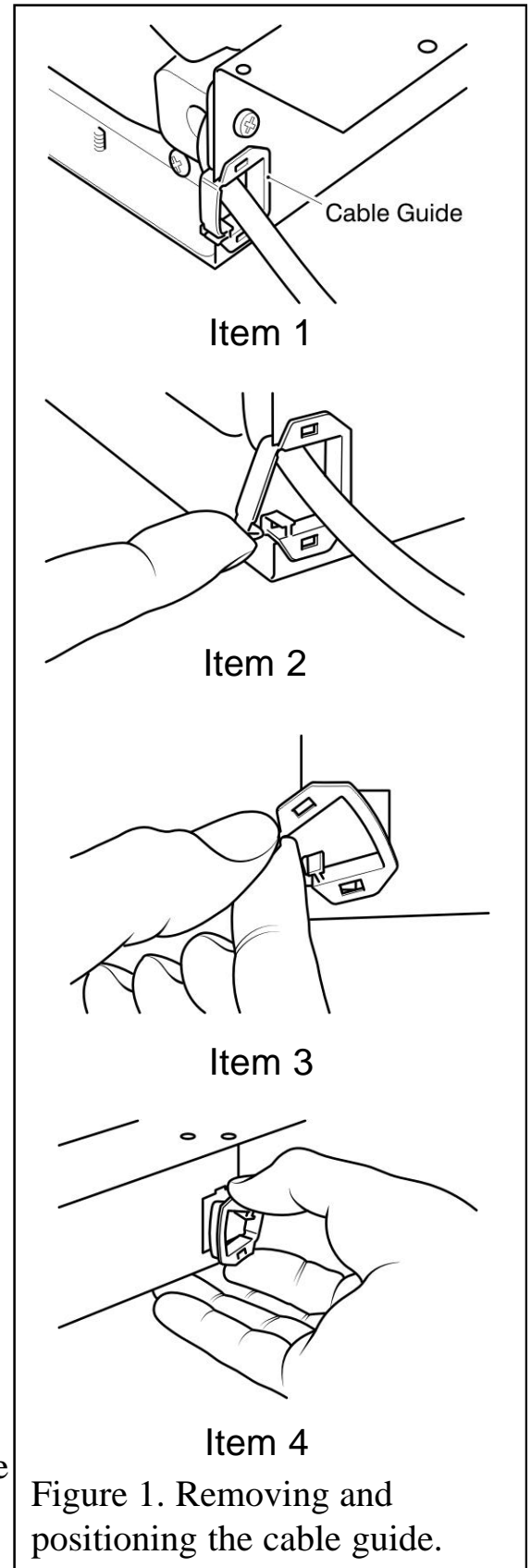
At the base of the heater you will find an electric cable which runs through a rectangular plastic cable guide. As supplied the cable guide is fitted into the rectangular cut-out on the right side of the heater. If required, the cable guide can be removed and put in the rectangular slot in the centre or left hand side of the heater. For removal and fitting please see the following sections.

Removing the cable guide

1. Before removing the cable guide please note that the wider part of the cable guide is on the outer edge of the base (See figure 1- Item 1).
2. To remove the cable guide push and lift the tab on the bottom. The bottom of the cable guide will open (See figure 1- Item 2).
3. Lift the electric cable clear of the cable guide.
4. Hold the bottom of the cable guide close to the heater then gently pull the cable guide away from the rectangular slot (See figure 1- Item 3).

Fitting the cable guide.

When fitting the cable guide please remember that the wider part of the cable guide has to be fitted against the outer edge of the base (See figure 1- Item 1).



INSTALLER AND OWNER GUIDE

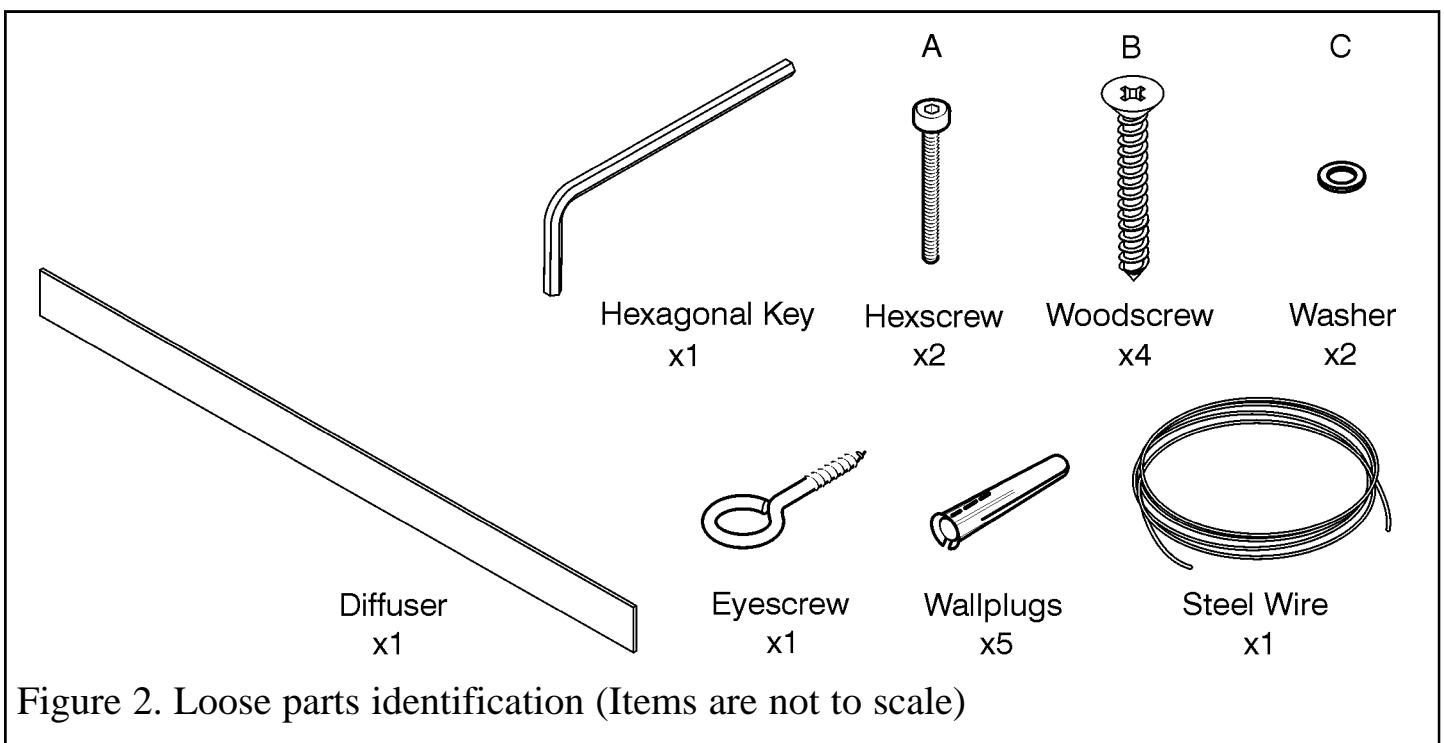
1. Gently pinch the sides of the cable guide (See figure 1 - Item 4) and push the cable guide into the required rectangular slot.
2. Place the electrical cable into the guide and close the top of the cable guide.

If the electric cable is damaged, to avoid a hazard it must be replaced by a Baxi Fires Division authorised service agent, or similarly qualified person (See the last page of this guide for useful telephone numbers).

All external wiring between the heater and the electrical supply shall comply with current IEE regulations.

Heater fixing.

All fixings supplied with the heater have been identified in figure 2.



The heater must be fixed into position to prevent it from being tipped over

The following fixing options are available:

- Screw Fixing.
- Wire Fixing.
- Spacer Frame*.

* An optional spacer frame kit is obtainable either from the your heater supplier or direct from Baxi Fires Division Sales. The kit is a 75mm (3 inch) spacer kit (Kit number 0582631).

INSTALLER AND OWNER GUIDE

If fitting the heater into a fireplace or surround opening, try the heater in the opening to ensure that it will fit.

If fitting the heater onto a decorative hearth surface such as marble or tile it is advisable to protect the hearth surface. Do not drag the heater across the surface of the hearth as this may scratch the hearth surface.

Fascia support brackets.

As supplied the fascia support brackets may be flat against the heater body. Using a suitable tool or gloved hand bend the brackets as in figure 3.

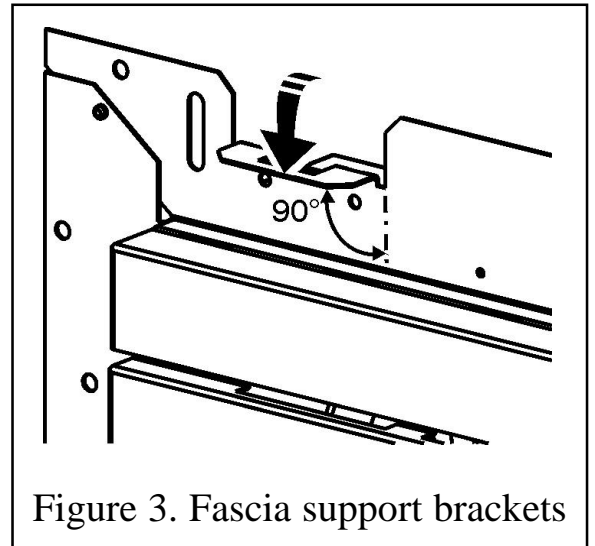


Figure 3. Fascia support brackets

Method A - Screw fixing.

Note - If fixing to marble it is recommended that Method B - 'Wire fixing' is used. Drilling marble without the correct tools and experience may result in the marble cracking.

1. Place the heater into the fireplace or surround opening. Make sure that the heater is in the middle of the surround or fireplace.
2. There are two slotted holes in the top of the heater (See figure 4). Mark through the slotted holes so that their position is clear when the heater is removed.
3. Remove the heater.
4. Drill an appropriate size hole in each of the marked positions. Insert wall plugs into the drilled holes.
5. Place the heater so that the slotted holes are in line with the wall plugs in the fixing surface.
6. Screw and secure the heater with two 'B' screws (See figure 2).

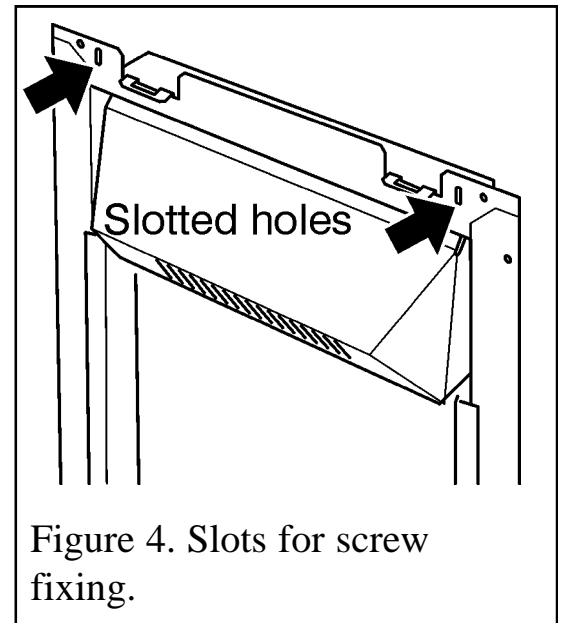


Figure 4. Slots for screw fixing.

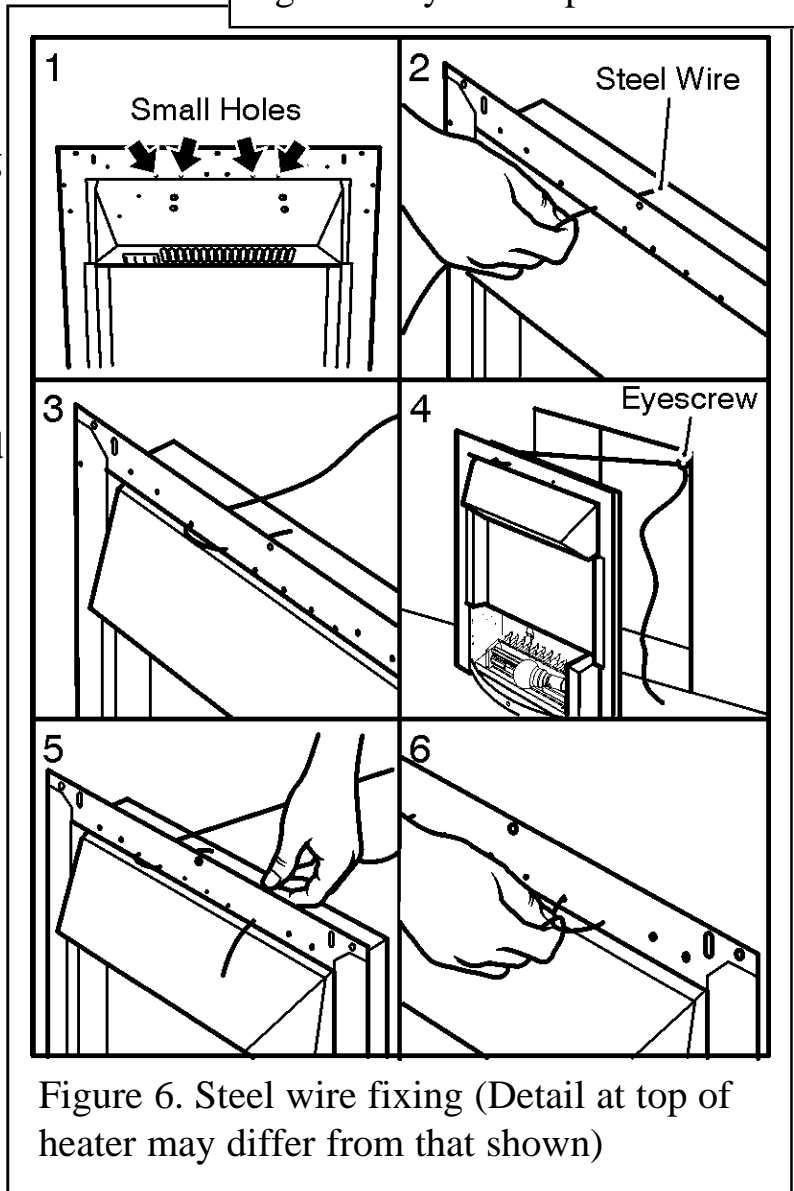
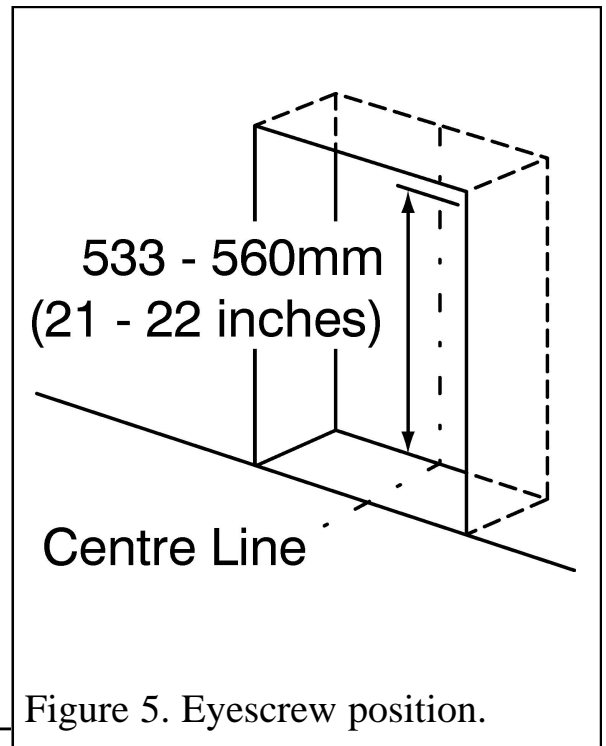
Method B - Wire fix.

This method of fixing needs a fireplace opening and is recommended when fixing the heater to a marble surround or where the wall or brickwork is in poor condition.

1. The fixing kit supplied with the heater includes a steel wire and eyescrew (See figure 2). These can be used to secure the heater to the back of a fireplace opening.
2. Mark the eyescrew position on the centre line at the back of the fireplace opening and at a height of 533-560mm (21 inches - 22 inches) (See figure 5).
3. Drill an appropriate size hole in the marked position.

INSTALLER AND OWNER GUIDE

4. Insert a wall plug into the drilled hole.
5. Screw the eyescrew into the wall plug.
6. Position the heater in front of the fireplace opening.
7. At the top of the heater there are four small holes, two each side of the heater (See figure 6-Item 1). From the front of the heater, thread about 50mm (2 inches) of the steel wire into the inside small hole on the left side of the heater (See figure 6 - item 2).
8. Thread the other end of the wire through the remaining small hole on the left hand side of the heater. Continue to push the wire through this hole until there is only a small loop of wire at the front of the heater (See figure 6 - item 3).
9. At the back of the heater there will be a long piece and a short piece of wire coming through the two holes. Hold the short piece and give the long piece a gentle tug. This will secure the steel wire. Take the long piece and thread this through the eyescrew in the back of the fireplace opening (See figure 6 - item 4).
10. From the back of the heater thread the long piece of steel wire through the outer small hole on the right hand side of the heater (See figure 6 - item 5).
11. Locate the heater in the fireplace opening, then from the front of the heater, gently pull the steel wire on the right hand side to gather up the excess until the heater is secure. Thread the wire through the remaining small hole to lock the wire and heater in place (See figure 6 - item 6).



INSTALLER AND OWNER GUIDE

Method C - Spacer Frame

The optional spacer frame is for use during installations where a chimney recess or rebated fire surround are not available. For your safety the frame and heater must be securely fixed to the rear wall.

Fitting the spacer frame

The rear of the spacer has wider flanges. These should be to the rear when fitting.

1. Position the rear of the spacer frame against the wall. Ensure that the spacer frame is central to the fireplace. It is important that the side legs are positioned correctly and are upright.
2. Mark the upper positions of the key hole slots on the rear wall (See figure 7).
3. Remove the spacer frame from the fireplace and place away from the work area.
4. Drill the screw locations using a no. 12 masonry drill bit.
5. Insert two wall plugs provided into the holes.
6. Insert a 'B' screw into each hole and screw in until there is approximately 6mm of screw protruding from the wall.

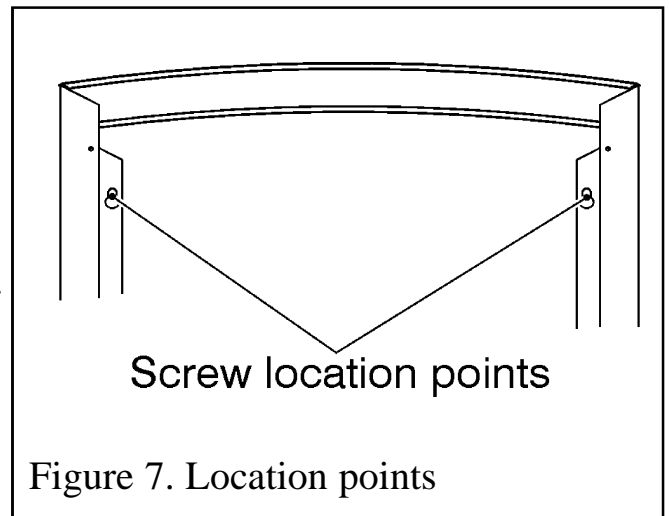
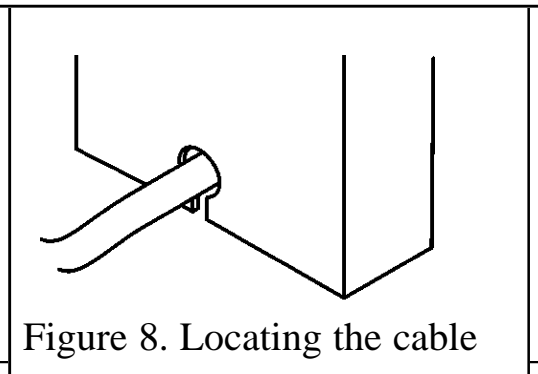


Figure 7. Location points

Preparing the heater for installation.

1. Using the four screws provided with the spacer frame kit, fix the heater to the spacer frame.
2. There is a supply cable slot on both sides of the spacer frame. It is located at the base. Decide which side to pass the supply cable through and position the supply cable in the spacer frame slot (See figure 8).

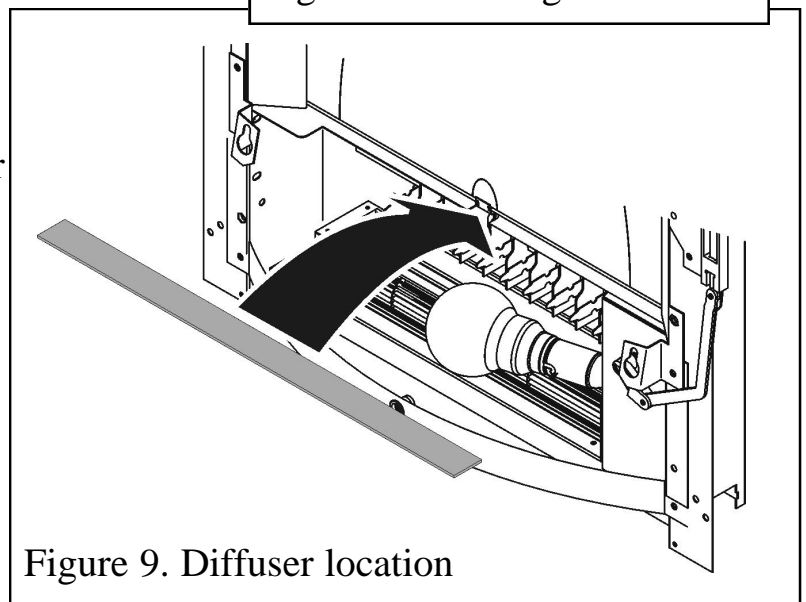


Fitting the heater.

1. Locate the spacer frame and heater over the screw heads ensuring a tight fit. If the fit is loose, remove the spacer frame and heater from the wall. Tighten the wall screws slightly and reposition the spacer frame and heater.

Fitting the light diffuser.

1. There is a light diffuser supplied with the heater (See figure 9). Place this on to the metal flange below the



INSTALLER AND OWNER GUIDE

plastic screen.

Fitting the Fascia

1. Fit the fascia to the heater by hooking the brackets on the rear of the fascia over the brackets on the heater (See figure 10).
2. Secure the fascia to the heater with 2 off hexscrews 'A' and 2 off washers 'C' (See figure 2) through the holes in the lower side legs of the fascia. A hexagonal key is supplied with the heater.
3. Hook the firefront on to the fascia as in figure 11.
4. Position the ash pan cover beneath the firefront. Secure in place using the decorative knob.
5. Place the one piece coal bed onto the top of the fuel support.

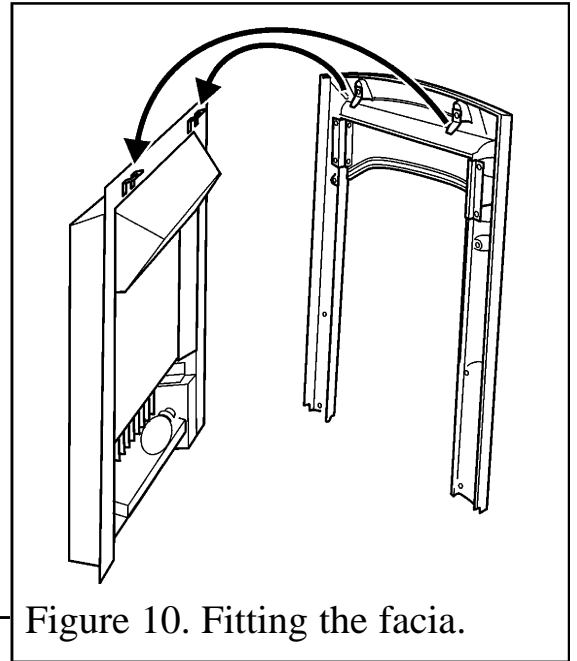


Figure 10. Fitting the fascia.

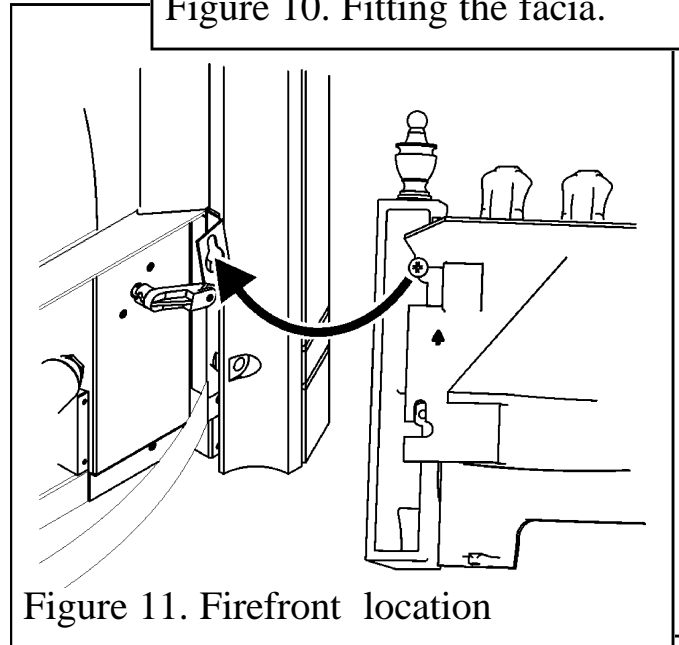


Figure 11. Firefront location

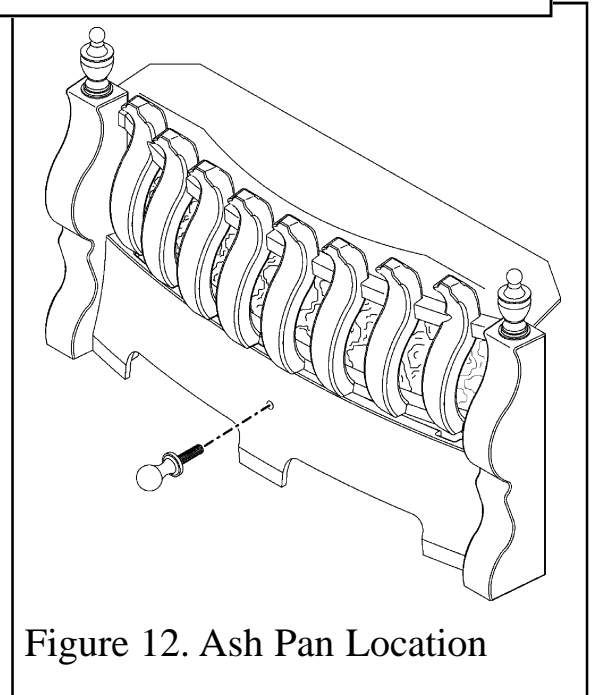


Figure 12. Ash Pan Location

INSTALLER AND OWNER GUIDE

USING THE HEATER

Important Safety

Never cover the heater or obstruct the openings at the base of the heater, this could cause overheating and consequent risk of fire.

What are the fireslide control positions for?

The heater is operated by the fireslide control located on the upper right hand side of the heater.

Fireslide Position

OFF The flame effect and heater are OFF.



Only the flame effect operates



1kW fan heat setting and flame effect.



2kW fan heat setting and flame effect.

CLEANING AND MAINTAINING THE HEATER

How do I clean my heater?

The heater fascia and plastic parts need only to be wiped clean with a dry soft cloth, do not use polishes or abrasive materials.

I have a problem with my heater!

Important Safety

Before undertaking maintenance or replacing the light bulb always disconnect the heater from the electricity supply by removing the 3 pin plug and allowing the heater to cool completely.

1. My heater is on but there is no light.

This is possibly a light bulb failure. Remove the light bulb as follows and check it in a table lamp that is known to work. If it does not work in the table lamp then replace as below.

The light bulb fitted to this heater is a 60Watt max, BC Clear, 16,000Hr (GLS)

Bayonet, 240V lamp, but due to the indeterminate life span and ease of replacement, it

INSTALLER AND OWNER GUIDE

is specifically excluded from the guarantee.

To replace the light bulb.

1. To gain access to the light bulb, remove the top coal fuel effect and place carefully to one side.
2. Unscrew and remove the decorative control knob from the front of the 'ash pan' casting (See figure 12). Remove the 'ash pan' casting.
3. Swing the bottom of the firefront casting forward and down. Gently pull the casting away from the heater (Reverse of that shown in figure 11).
4. Replace the light bulb with 60Watt max, BC Clear, 16,000Hr (GLS) Bayonet, 240V lamp.
5. Refit the firefront / 'ash pan' and top fuel effect.

2. My heater is on but there is no light or heat.

The first thing to do is check the wall socket. To do this plug in a known working appliance. If the appliance you have plugged in works then there is a good chance that the problem lies with the 13Amp fuse in the heater plug. If either fuse or socket is suspected, have them checked by an electrician.

3. My heater is on but there is no heat.

A cut out device is fitted to the heater to prevent damage due to over heating. If it operates due to an obstruction in the airflow, the heater must be turned off and allowed to cool for 15 minutes and the obstruction removed before restarting.

4. I Have a problem that is different to those in the previous examples 1- 3.

Following is a list of useful telephone numbers

For general advice about your heater:

BAXI FIRES DIVISION TECHNICAL HELPLINE 08706 061 065.

To report faults or arrange for your heater to be serviced:

BAXI FIRES DIVISION SERVICE 08706 090 081.

For sales or product information:

BAXI FIRES DIVISION SALES 08706 061 067.

CALLERS IN THE REPUBLIC OF IRELAND

Call 0044 8706 061 065

For spares inquiries

Spare parts are available nationwide via the 'interpart stockist network'. For your local stockist consult Yellow pages under 'Central Heating'.

INSTALLER AND OWNER GUIDE

When ordering spare parts please have the below information available. This will help us to deal with your call quicker and avoid you having to make a second call.

- Your Post Code
- Type of Heater (Electric or gas)
- Model, Name and serial number (This information can be found on a small label attached to the inside lower left of the heater. To see this you will have to remove the firefront.
- The fault, problem or request.

What should I do when I'm ready to dispose of my heater?

The plug should be removed from the mains supply cable and the mains supply cable cut from the heater.

Environmental Protection.



Waste electrical products should not be disposed of with household waste. Please recycle where facilities exist. Check with your local authority or retailer for recycling advice.