

BAXI FIRES DIVISION

INSTALLER AND OWNER GUIDE

Model 804

Electric Heater

fitted with a

Chic,

Envy,

Mirage,

Serenity or

Twilight fascia.



This guide is intended to help you install and care for your Baxi Fires Division electric heater. Please read carefully before installing and using your heater. However, if further information is required, our **Baxi Fires Division Technical Helpline** will be pleased to help.

Telephone **08706 061 065** (National call rates apply in the United Kingdom)

In the Republic of Ireland call **0044 8706 061 065**

Important: Please keep your guide in a safe place for future reference

INSTALLER AND OWNER GUIDE

© Baxi Heating U.K. Limited 2005.

All rights reserved. No part of this publication may be reproduced in any material form (including photocopying), stored in any medium by electronic means (including in any retrieval system or database) or transmitted, in any form or by any means, whether electronic, mechanical, recording or otherwise, without the prior written permission of the copyright owner.

Applications for the copyright owner's permission to reproduce any part of this publication should be made, giving details of the proposed use, to the following address: The Company Secretary, Baxi Heating UK Limited, Pentagon House, Sir Frank Whittle Road, Derby, DE21 4XA.

Warning: Any person who does any unauthorised act in relation to a copyright work may be liable to criminal prosecution and civil claims for damages.

CUSTOMER CARE

Thank you for choosing Baxi Fires Division

All Baxi Fires Division heaters are designed to meet the most stringent quality, performance and safety requirements to provide our customers with many years of trouble free service. This guide aims to improve your understanding and appreciation of your new Baxi Fires Division heater, by providing simple and informative instructions to enable you to install it and to ensure that you benefit from the excellent performance and features it has to offer.

If you require further assistance, the **Baxi Fires Division Technical Helpline** will be pleased to help.

Please telephone **08706 061 065** (local rates apply in the United Kingdom). In the Republic of Ireland please telephone **0044 8706 061 065**.

FOR OTHER USEFUL TELEPHONE NUMBERS SEE PAGE 16 OF THIS GUIDE.

B A X I F I R E S D I V I S I O N

Baxi Fires Division, Erdington, Birmingham B24 9QP
www.firesandstoves.co.uk

Because our policy is one of constant development and improvement, details may vary slightly from those given in this publication

INSTALLER AND OWNER GUIDE

Safety First.

Baxi Fires Division heaters are CE Approved and designed to meet the appropriate British Standards and Safety Marks.



Quality and Excellence.

All Baxi Fires Division heaters are manufactured to the highest standards of quality and excellence and are manufactured under a BS EN ISO 9001 quality system accepted by the British Standards Institute.



HANDLING AND UNPACKING

Before continuing any further with the installation of this heater please read the following:

Important instructions.

- The lifting weight of the heater is as below:

<u>Model</u>	<u>Heater Body (kg)</u>	<u>Fascia (kg)</u>	<u>Spacer (kg)</u>	<u>Total (kg)</u>
Chic	5.3 kg.	3 kg.	0.9 kg.	9.2kg.
Serenity	5.3 kg.	6.5 kg.	1.3 kg.	13.1 kg.
Twilight	5.3 kg.	8.0 kg.	0.9 kg.	14.2kg.
Envy	5.3 kg.	3.11 kg.	0.9 kg.	9.31kg.
Mirage	5.3 kg.	3.60 kg.	0.66 kg.	9.56kg.

INSTALLER AND OWNER GUIDE

- One person should be sufficient to lift the heater. If for any reason this weight is considered too heavy then obtain assistance.
- When lifting always keep your back straight. Bend your legs and not your back.
- Avoid twisting at the waist. It is better to reposition your feet.
- Avoid upper body / top heavy bending. Always bend from the knees rather than the waist. Do not lean forward or sideways whilst handling the heater.
- Always grip with the palm of the hand. Do not use the tips of fingers for support.
- Always keep the heater as close to the body as possible. This will minimise the cantilever action.
- Use gloves to provide additional grip.
- Always use assistance if required.

SAFETY

Always

- **Always** install the heater in accordance with this guide. If in doubt obtain expert advice.
- **Always** make sure the electrical socket is accessible and located adjacent to, but not above or behind the heater.
- **Always** disconnect the heater from the electrical supply before carrying out cleaning, maintenance or replacing the light bulb.
- **Always** make sure the heater is firmly secured to prevent it from being tipped over.
- **Always** use a fireguard when young children and infirm persons can come into contact with the heater.
- **Always** use genuine Baxi Fires Division spares.

Never

- **Never** leave children unsupervised in a room where the heater is ON and unguarded.
- **Never** obstruct or cover the fan outlet or force items into heater openings.
- **Never** install or use the heater anywhere where water is in use, i.e. Bathrooms, Kitchens, Shower Rooms, Swimming Pools etc.
- **Never** use aerosols or steam cleaners on or around the heater.
- **Never** route the electric cable under carpet etc.
- **Never** install the heater close to curtains or combustible materials.
- **Never** use the heater to dry clothes etc.
- **Never** sit or stand on the heater.

INSTALLER AND OWNER GUIDE

FITTING THE HEATER

The installation of this heater requires a reasonable level of DIY skills. Please read this guide thoroughly before commencing installation and if in doubt, seek help from a competent person

Do I need any tools?

1. Depending upon the chosen method of installation you may need the following screwdrivers: -
 - 1 off Pozidrive / Phillips / cross head. This should have a number 2 size tip.
 - 1 off Flat end.
2. If drilling into brickwork you will need a power drill (preferably with hammer action) and appropriate size drill bit for the wallplugs supplied.

Where can I fit the heater?

There should be at least 50mm (2 inches) clearance between the top of the fascia and anything such as a shelf, fireplace surround or mantel etc. This will allow the fascia to be lifted off or removed during servicing. To check this gently place the fascia against the surface to which it is to be fixed. Measure the distance from the top of the fascia.

Chic, Envy, Mirage and Serenity models.

The heater can be fitted into fireplaces or surrounds where the following dimensions are available.

Width	390mm - 450 mm (15.35 inches - 17.72 inches)
Height	555mm - 590 mm (21.9 inches - 23.2 inches)
Depth	At least 75mm (At least 3 inches)

The heater can also be fitted against against a flat wall. A spacer frame is supplied with the heater.

Twilight model.

The heater **cannot** be fitted into fireplaces / fireplace openings. It is intended for installation to a flat wall. A spacer frame is supplied with the heater.

Important Electrical Safety

The heater must **not** be located in front of or under an electrical socket, the socket must always be accessible in order to disconnect the heater from the electrical supply for maintenance and cleaning.

Important! This heater must be earthed.

INSTALLER AND OWNER GUIDE

- The heater is supplied with a 3 pin 13 Amp fused re-wireable plug with 1mm² 3 core cable.
- The wires in the cable are coloured in accordance with the following code: -
 - Live = Brown
 - Neutral = Blue
 - Earth = Green /Yellow
- The electric supply must be safely routed from the heater to an electrical socket.

Moving the Cable Guide

At the base of the heater you will find the electric cable which runs through a rectangular plastic cable guide. The cable guide is fitted into the rectangular slot on the right side of the heater. If required this can be moved and put in the rectangular slot in the centre or left hand side of the heater. For removal and fitting please see below.

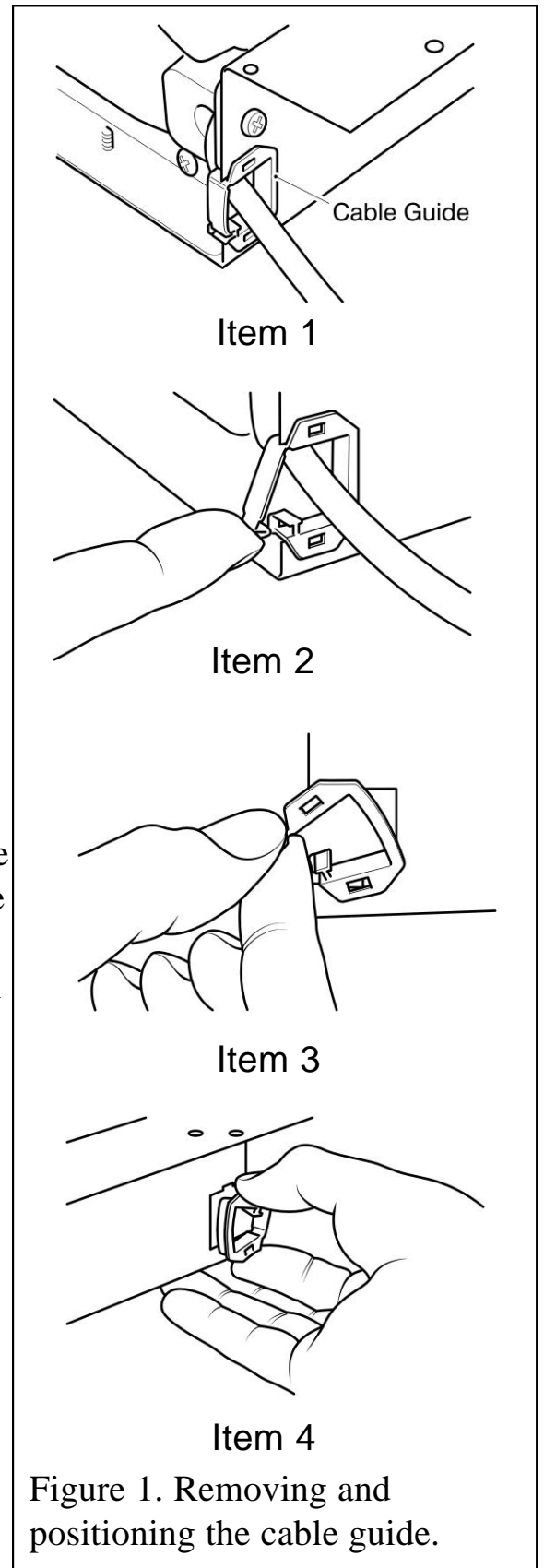
Removing the cable guide

1. Before moving the cable guide please note that the lip of the cable guide is on the outer edge of the base (See figure 1- Item 1).
2. To remove the cable guide push and lift the tab on the bottom of it and the cable guide will open (See figure 1- Item 2).
3. Lift the electric cable clear of the cable guide.
4. Hold the bottom of the cable guide close to the heater then gently pull the cable guide away from the rectangular slot (See figure 1- Item 3).

Fitting the cable guide.

When fitting the cable guide please remember that the lip of the cable guide has to be fitted against the outer face of the base (See figure 1- Item 1).

1. Gently pinch the sides of the cable guide (See figure 1 - Item 4) and push into the desired rectangular slot.
2. Place the electrical cable into the guide and close the top.



INSTALLER AND OWNER GUIDE

If the electric cable is damaged, to avoid a hazard it must be replaced by a Baxi Fires Division authorised service agent, or similarly qualified person (See page 16) All external wiring between the heater and the electrical supply shall comply with current IEE regulations.

Fascia support brackets.

As supplied the fascia support brackets may be flat against the heater body. Using a suitable tool or gloved hand bend the brackets as in figure 2.

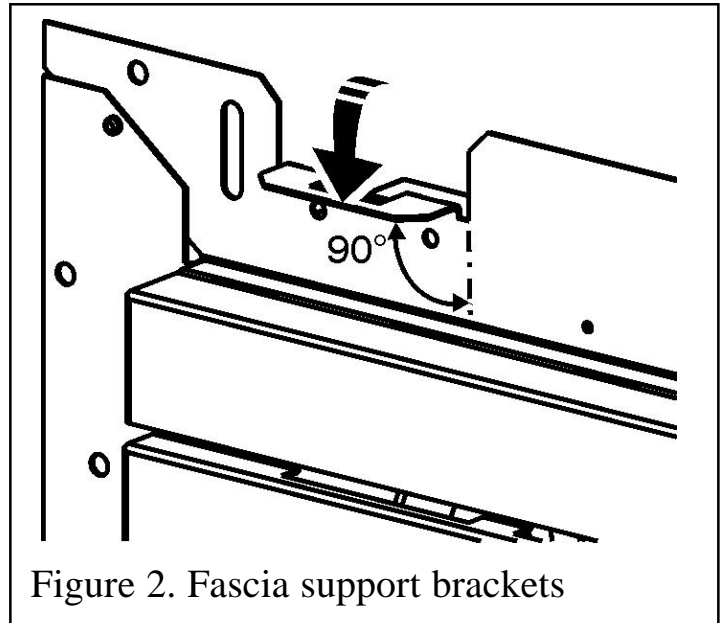


Figure 2. Fascia support brackets

Heater Fixing.

All of the fixings and loose parts supplied with the heater have been identified as in figure 3.

Additional fixings may be required if fitting the heater to a plasterboard wall that has a wooden frame behind it. In such cases we recommend the use of heavy duty cavity fixings. If fitting the heater in an elevated position (i.e. above hearth or finished floor height) then the lower support bracket must be fitted (See figure 3).

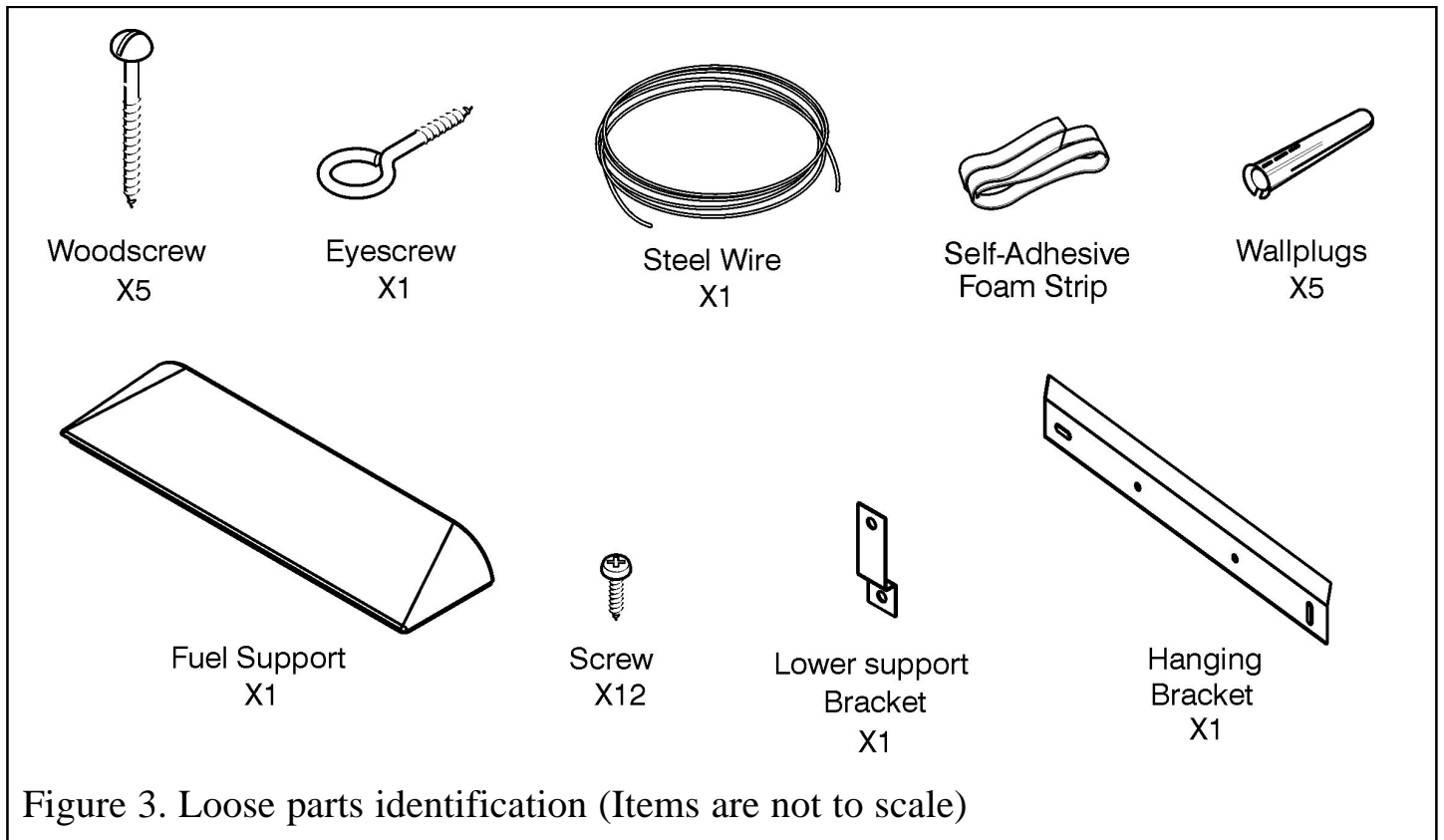


Figure 3. Loose parts identification (Items are not to scale)

INSTALLER AND OWNER GUIDE

The heater must always be fixed into position to prevent it from being tipped over
The following fixing options are available:

Chic, Envy, Serenity and Mirage models.

- Screw Fixing.**
- To a fireplace opening / surround
 - To a flat wall with the use of the spacer frame
- Wire Fixing**
- To a fireplace opening / surround

Twilight model.

- Screw Fixing**
- To a flat wall with the use of the spacer frame

If fitting the heater into a fireplace or surround opening, try the heater in the opening to ensure that it will fit.

If fitting the heater onto a decorative hearth surface such as marble or tile it is advisable to protect the hearth surface. Do not drag the heater across the surface of the hearth as this may scratch the hearth surface.

Method A - Screw fixing to a fireplace opening.

Note - If fixing to marble it is recommended that Method B - 'Wire fixing to a fireplace opening' is used. Drilling marble without the correct tools and experience may result in the marble cracking.

1. Place the heater into the fireplace or surround opening. Make sure that the heater is in the middle of the surround or fireplace.
2. There are two slotted holes in the top of the heater (See figure 4). Mark through the slotted holes so that their position is clear when the heater is removed.
3. Remove the heater
4. Drill an appropriate size hole in each of the marked positions. Insert wall plugs into the drilled holes.
5. Place the heater so that the slotted holes are in line with the wallplugs in the fixing surface.
6. Screw and secure the heater with two woodscrews (See figure 3).

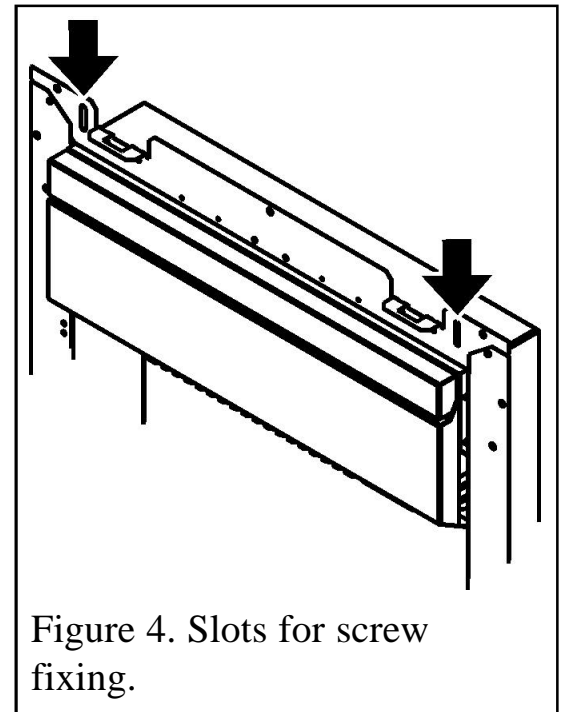


Figure 4. Slots for screw fixing.

Method B - Wire Fixing to a fireplace opening.

This method of fixing is recommended when fixing the heater to a marble surround or where the wall or brickwork is in poor condition.

1. The fixing kit supplied with the heater includes a steel wire, wall plug and eyescrew (See figure 3). These can be used to secure the heater to the back of a fireplace opening.

INSTALLER AND OWNER GUIDE

2. Mark the eyescrew position on the centre line at the back of the fireplace opening and at a height of 533-560mm (21 inches - 22 inches) (See figure 5).

3. Drill an appropriate size hole in the marked position.

4. Insert a wallplug into the drilled hole.

5. Screw the eyescrew into the wallplug.

6. Position the heater in front of the fireplace opening.

7. At the top of the heater there are four small holes, two each side of the heater (See figure 6- Item 1).

From the front of the heater, thread about 50mm (2 inches) of the steel wire into the inside small hole on the left side of the heater (See figure 6 - item 2).

8. Thread the other end of the wire through the remaining small hole on the left hand side of the heater. Continue to push the wire through this hole until there is only a small loop of wire at the front of the heater (See figure 6 - item 3).

9. At the back of the heater there will be a long piece and a short piece of wire coming through the two holes. Hold the short piece and give the long piece a gentle tug. This will secure the steel wire. Take the long piece and thread this through the eyescrew in the back of the fireplace opening (See figure 6 - item 4).

10. From the back of the heater thread the long piece of steel wire through the outer small hole on the right hand side of the heater (See figure 6 - item 5).

11. Locate the heater in the fireplace opening, then from the front of the heater, gently pull the steel wire on the right hand side to gather up the excess until the heater is secure. Thread the wire through the remaining small hole to lock the wire and heater in place (See figure 6 - item 6).

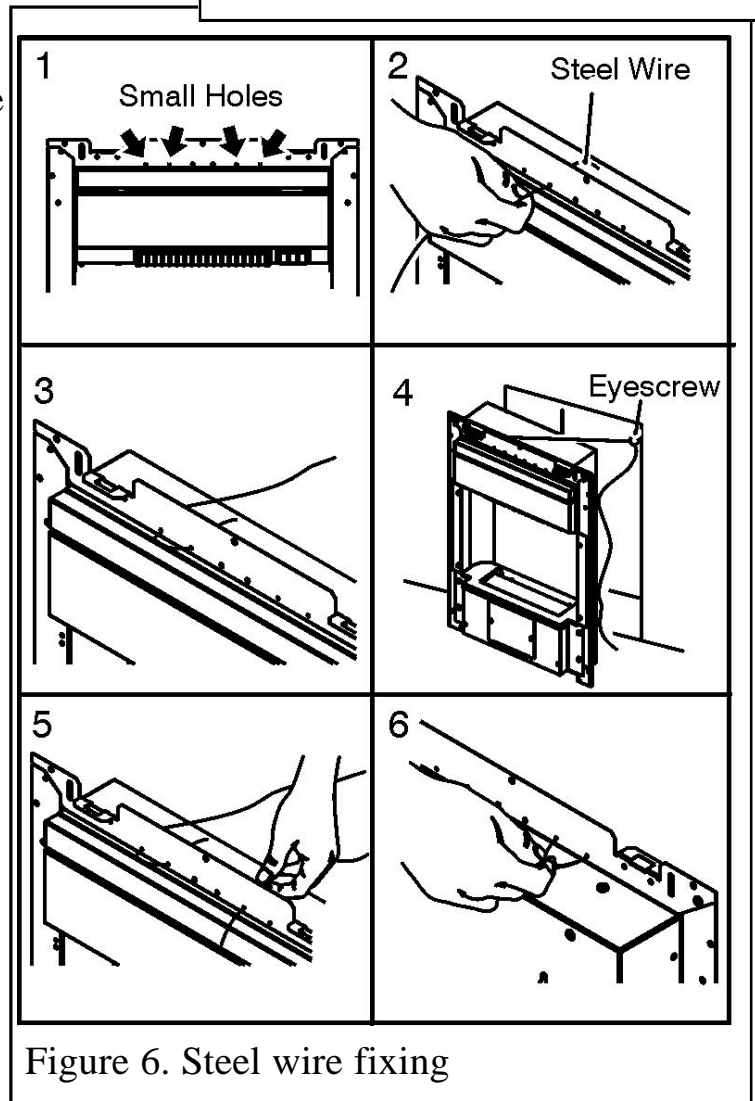
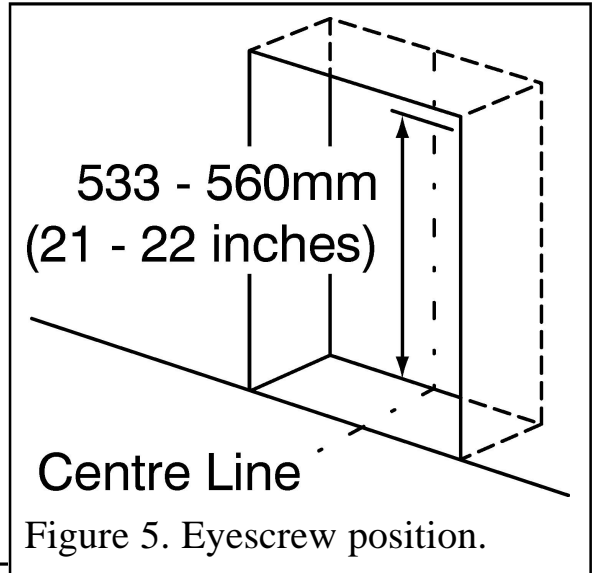


Figure 6. Steel wire fixing

INSTALLER AND OWNER GUIDE

Method C - Screw fixing to a flat wall.

If the heater is to be mounted on to a plasterboard wall that has a wooden frame behind it then the integrity and ability of the wall to carry the weight of the appliance must be confirmed. It is important that any vapour control barrier is not damaged, and that the structural members of the house are not damaged.

Preparing the heater for installation.

Chic, Envy and Twilight model - The spacer frame will need to be fitted to the heater at this point using the nine black screws provided (See figure 7).

Mirage model - The spacer frame is supplied with three magnets. Locate one magnet centrally on the inside of each of the three sides. Locate the spacer frame over the back of the heater ensuring that the cut-outs for the cable at the rear of the heater. Be careful not to damage the cable.

Serenity model - Locate the top of the spacer frame behind the top flange of the fascia (See figure 8). Using the four screws provided, fix the spacer frame to the fascia.

The heater must be secured to the wall using the hanging bracket supplied.

Please note that when mounting to a plasterboard wall that has a wooden frame behind it then suitable wall fixings will be required. Although not supplied with the heater we recommend the use of heavy duty cavity fixings. For conventional brick walls plastic plugs and woodscrews are supplied.

The distance from the centre of the holes in the wall hanging bracket to the bottom of the heater on Serenity, Envy, Mirage and Chic models or the fascia on the Twilight model is shown in figure 9. This is important if wall mounting the heater so that the bottom sits on a hearth or finished

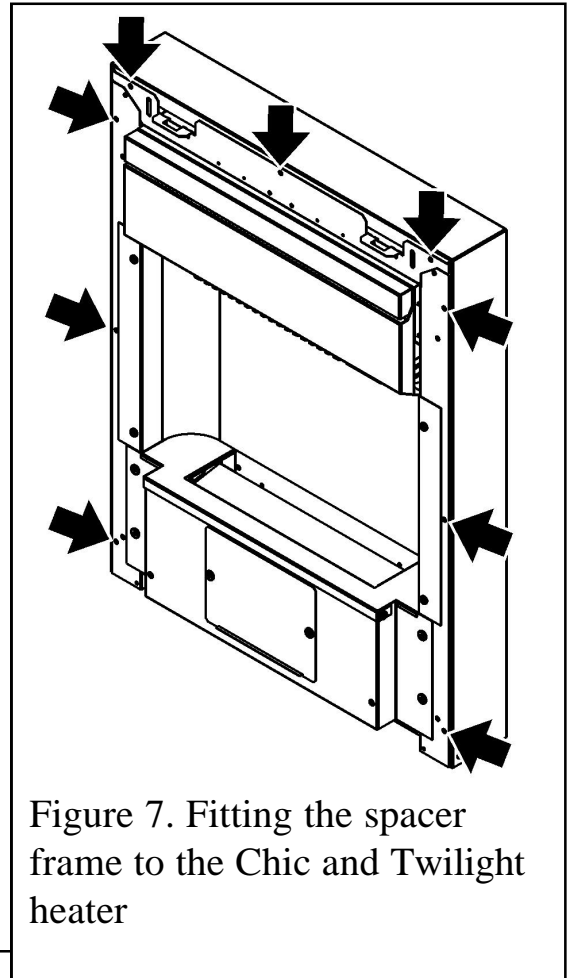


Figure 7. Fitting the spacer frame to the Chic and Twilight heater

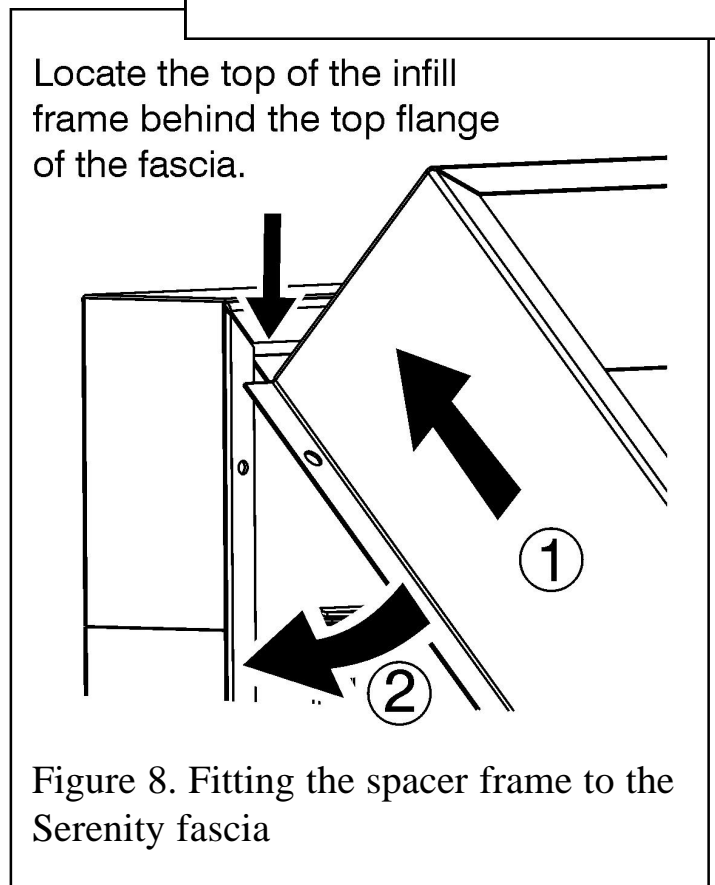


Figure 8. Fitting the spacer frame to the Serenity fascia

INSTALLER AND OWNER GUIDE

floor level.

Fitting the heater.

1. Decide the location of the heater.
2. If the heater is to be fixed in an elevated position (i.e. above hearth or finished floor height) then the lower support bracket needs to be secured to the rear bottom of the heater. To do this use the black screw provided (See figure 10).
3. Supplied with the heater is a length of self-adhesive foam strip. Remove the backing paper and locate the foam strip along the bottom of the heater as in figure 11. This foam strip prevents light from the rear of the heater showing below the heater.
4. If fitting to a conventional brick wall then use the outer slotted holes in the bracket. If fitting to a plasterboard wall that has a wooden frame behind it then use all four fixing holes in the bracket. This is required to spread the load. Mark the positions of the hanging bracket holes on the wall.
5. Drill the marked positions using a suitable sized drill bit for the chosen fixings.
6. Insert the wall plugs / fixings and secure the bracket to the wall using suitable screws.
7. Hang the heater body on the hanging bracket. There is a electric cable slot on both sides of the spacer frame. If the heater is located on a hearth then pass the electric cable through the required slot.

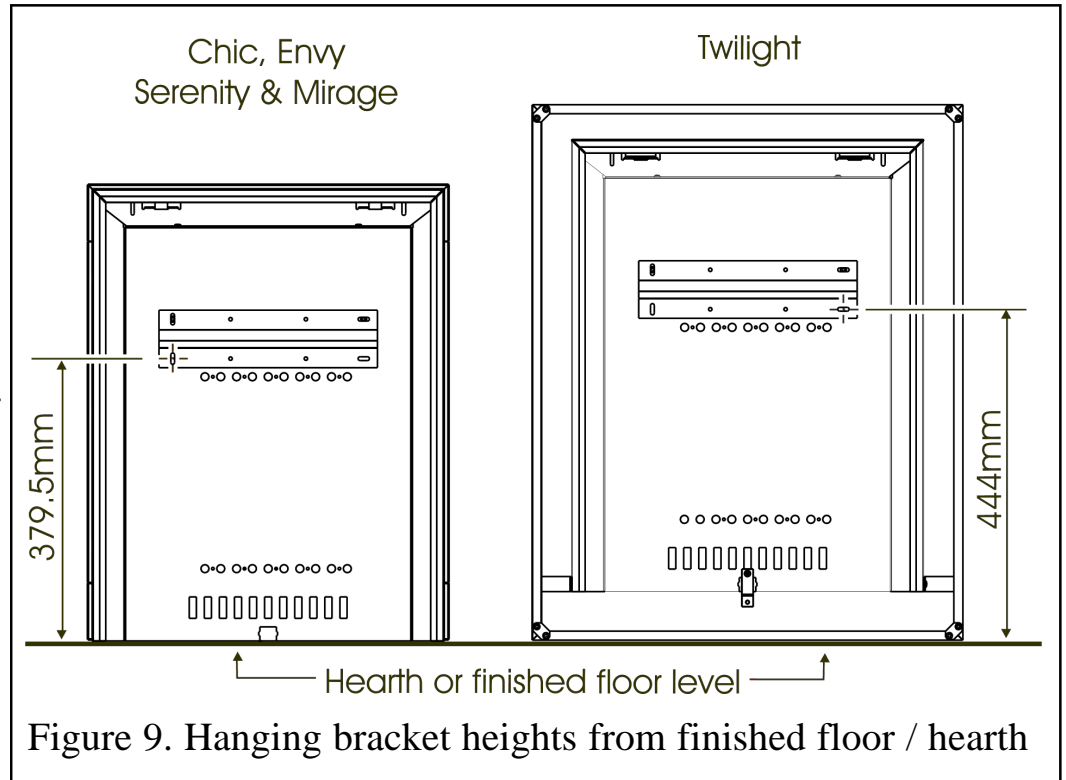


Figure 9. Hanging bracket heights from finished floor / hearth

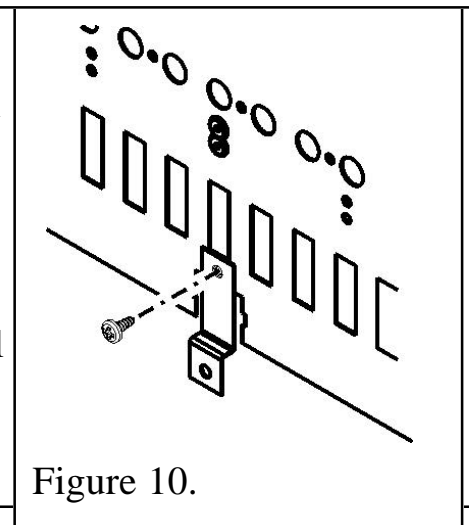


Figure 10.

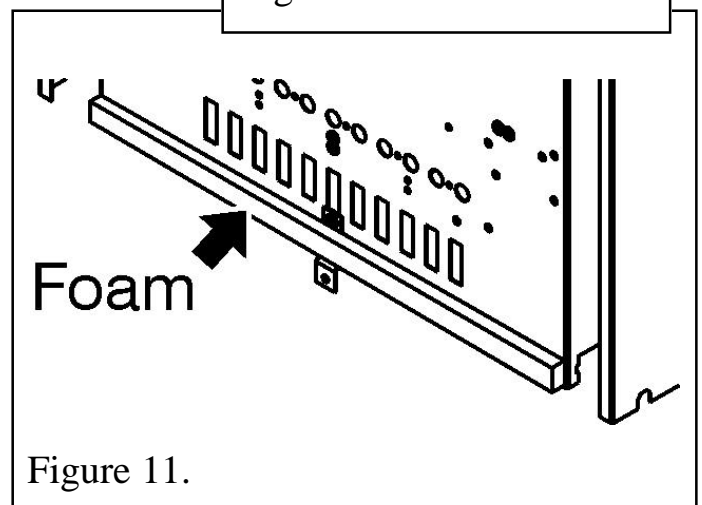


Figure 11.

INSTALLER AND OWNER GUIDE

Fitting the fascia.

1. There are two hooked brackets on the top rear of the fascia. Locate the hooks into the brackets at the top of the heater (See figure 12).
2. The fascia is secured using the two screws with bright metal finish. These are located as in figure 13.
3. Locate the fuel support as in figure 14.
4. Place the loose pebbles onto the fuel support. It is not necessary to use all the pebbles supplied.

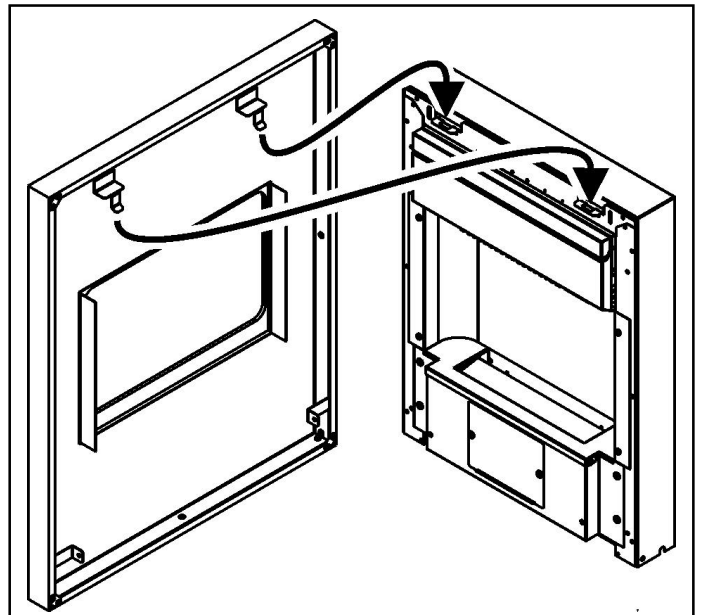
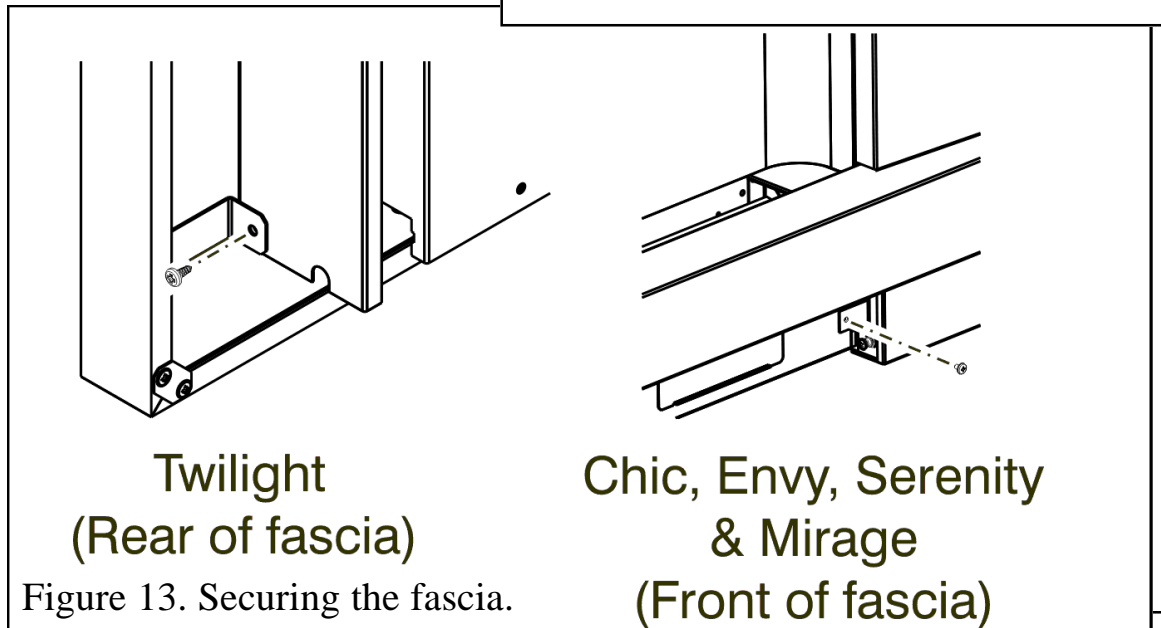


Figure 12. Fitting the fascia (Fascia may differ from that shown).



Twilight
(Rear of fascia)

Chic, Envy, Serenity
& Mirage
(Front of fascia)

Figure 13. Securing the fascia.

Important Note:

The pebbles are for decorative purposes only. There is a choke risk to young children. Make sure they cannot gain access to them.

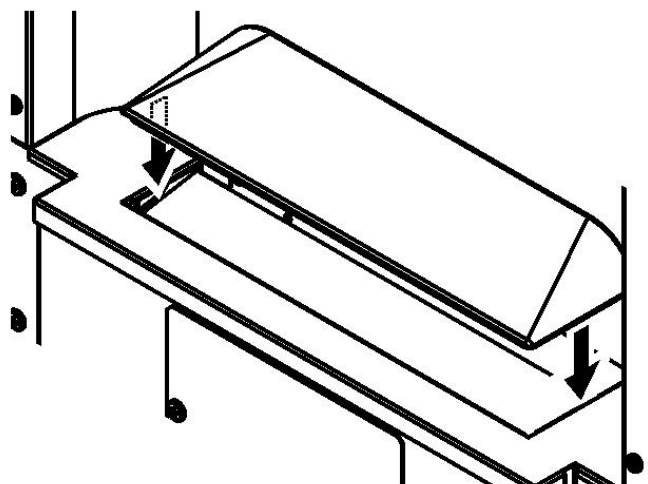


Figure 14. Fitting the fuel support.

INSTALLER AND OWNER GUIDE

Chic fascia only.

1. The lower section of the fascia is secured with magnets. Locate it as in figure 15. The bottom of the lower section should sit on the tags as shown.
2. Supplied in the fascia pack are two tubular trim sets. Hang one set at the top of the fascia and the other at the bottom (See figure 16).

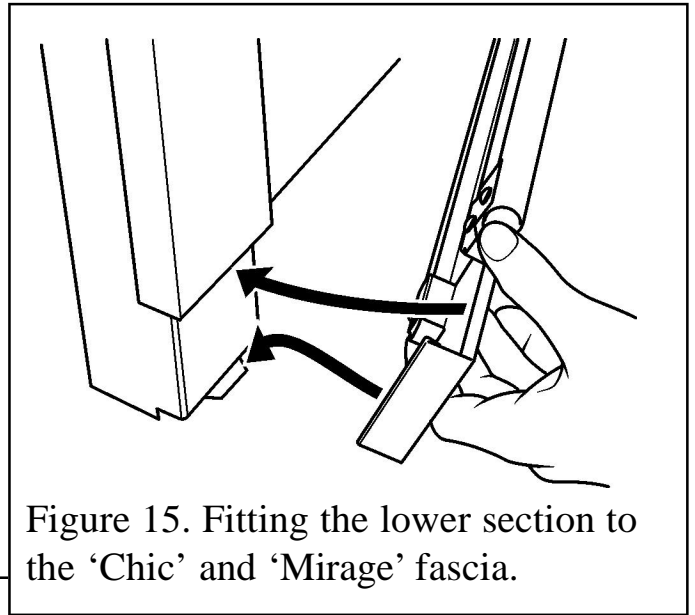


Figure 15. Fitting the lower section to the 'Chic' and 'Mirage' fascia.

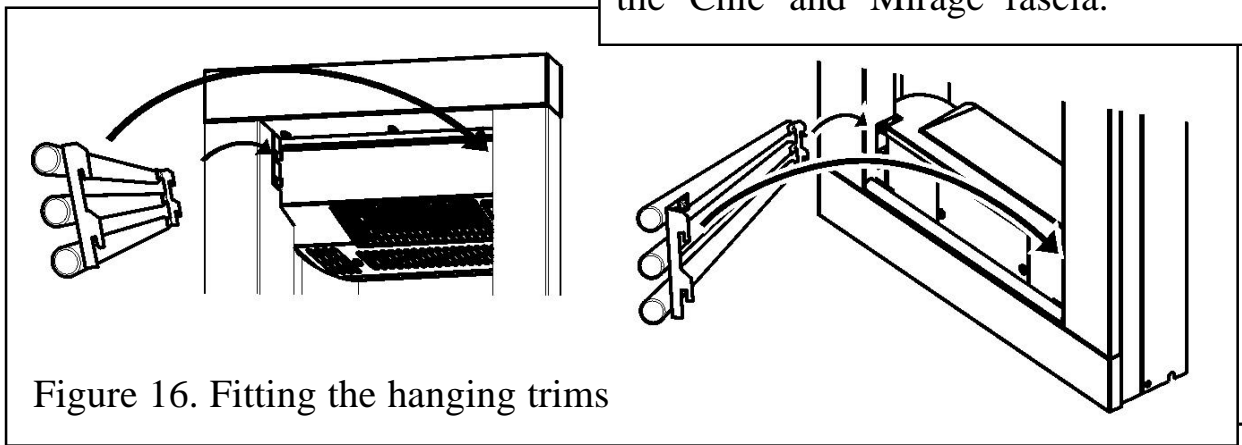


Figure 16. Fitting the hanging trims

Mirage fascia only.

1. The lower section of the fascia is secured with magnets. Locate it as in figure 15. The bottom of the lower section should sit on the tags as shown.
2. Supplied in the fascia pack is a canopy trim. Hang this at the top of the fascia (See figure 17).
3. Supplied in the fascia pack is a three bar trim. Hang this at the bottom of the fascia (See figure 16).

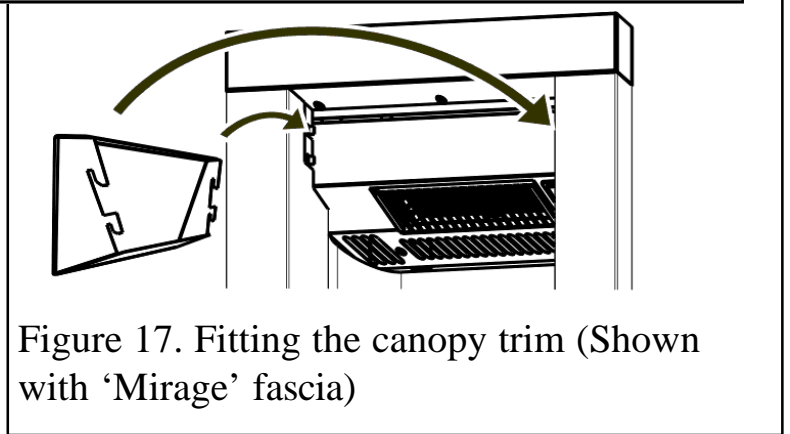


Figure 17. Fitting the canopy trim (Shown with 'Mirage' fascia)

Envy fascia only.

1. Supplied in the fascia pack is a canopy trim. Hang this at the top of the fascia (See figure 17).

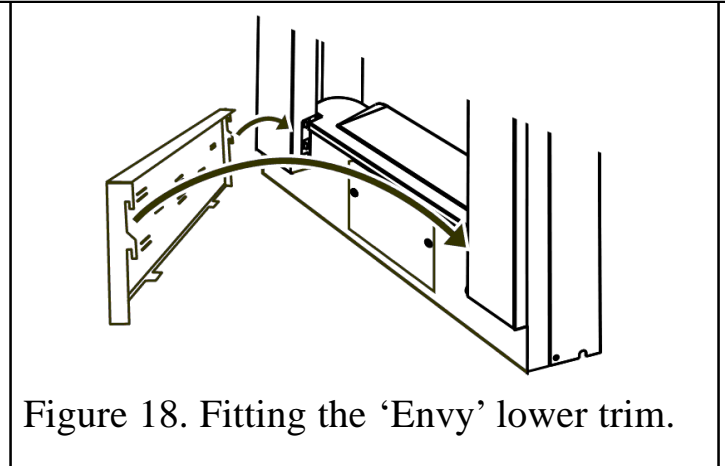


Figure 18. Fitting the 'Envy' lower trim.

INSTALLER AND OWNER GUIDE

2. Hang the lower trim at the bottom of the fascia (See figure 18).

USING THE HEATER

Important Safety

Never cover the heater or obstruct the openings at the base of the heater, this could cause overheating and consequent risk of fire.

What are the three switches for?

The heater is operated by three switches located below the hood on the left hand side of the heater.

Switch 1 =  Main On - Off

In the On position only the fuel effect operates

Switch 2 =  1kW fan heat setting and fuel effect

Switch 3 =  2kW fan heat setting and fuel effect

The switches are mechanically interlocked, so when switch 1 is turned off, all switches turn off.

CLEANING AND MAINTAINING THE HEATER

How do I Clean my heater?

The heater fascia, spacer frame and glass parts need only to be wiped clean with a dry soft cloth, do not use polishes or abrasive materials.

I have a problem with my heater!

Important Safety

Before undertaking maintenance or replacing the light bulb(s) always disconnect the heater from the electricity supply by removing the 3 pin plug and allowing the heater to cool.

1. My heater is on but there is no light / low light.

This is possibly a light bulb failure. Remove the light bulb as below and check it in a table lamp that is known to work. If it does not work in the table lamp then replace it as below.

The light bulb fitted to this heater is a B22 100Watt, 240Volt, triple life, Bayonet fitting with a clear finish. Due to the indeterminate life span and ease of replacement, it is

INSTALLER AND OWNER GUIDE

specifically excluded from the guarantee.

To replace the light bulb.

1. To gain access to the light bulb, remove the loose pebbles from the fuel support.
2. Remove the fascia in the reverse order to that shown on page 12 & 13.
3. Remove the lower cover plate from the front of the heat engine. To do this remove the two screws (See figure 19).
4. Replace the light bulb with a B22 100Watt, 240Volt, triple life, Bayonet fitting type bulb with a clear finish .
5. Fit the fascia (See pages 12 & 13).
6. Place the pebbles back on top of the fuel support.

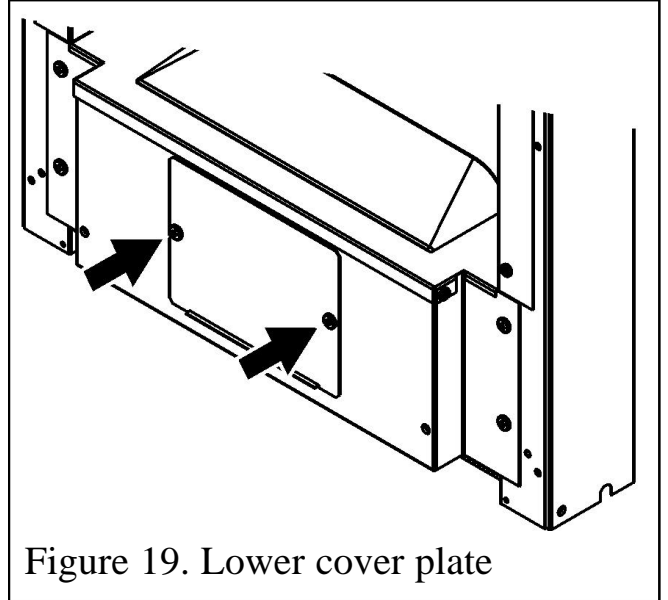


Figure 19. Lower cover plate

2. My heater is on but there is no light or heat.

The first thing to do is check the wall socket.

To do this plug in a known working appliance.

If the appliance you have plugged in works then there is a good chance that the problem lies with the 13Amp fuse in the heater plug. If either fuse or socket is suspected, have them checked by an electrician.

3. My heater is on but there is no heat.

A cut out device is fitted to the heater to prevent damage due to over heating. If it operates due to an obstruction in the airflow, the heater must be turned off and allowed to cool for 15 minutes and the obstruction removed before restarting.

INSTALLER AND OWNER GUIDE

4. I Have a problem that is different to those in the previous examples 1- 3.

Below is a list of Useful Telephone numbers

For general advice about your heater:

BAXI FIRES DIVISION TECHNICAL HELPLINE 08706 061 065.

To report faults or arrange for your heater to be serviced:

BAXI FIRES DIVISION SERVICE 08706 090 081.

For sales or product information:

BAXI FIRES DIVISION SALES 08706 061 067.

CALLERS IN THE REPUBLIC OF IRELAND

Call 0044 8706 061 065

For spares inquiries

Spare parts are available nationwide via the ‘interpart stockist network’. For your local stockist consult Yellow pages under ‘Central Heating’.

When ordering spare parts please have the below information available. This will help us to deal with your call quicker and avoid you having to make a second call.

- Your Post Code
- Type of Heater (Electric or gas)
- The fault, problem or request.
- Model, Name and serial number (This information can be found on a small label on the lower left of the heater next to the cover plate. To see this you may have to remove the fascia).

What should I do when I’m ready to dispose of my heater?

The plug should be removed from the mains cable and the mains cable cut from the heater. These should be disposed of with the heater.



Environmental Protection.

Waste electrical products should not be disposed of with household waste.

Please recycle where facilities exist. Check with your local authority or retailer for recycling advice.