

BAXI FIRES DIVISION

INSTALLER GUIDE

Steel & Monaco

Model 747

(GC No. 32-032-51)



INSET LIVE FUEL EFFECT GAS FIRE

**THIS APPLIANCE IS FOR USE WITH NATURAL GAS (G20)
WHEN CONVERTED USING CONVERSION KIT NO. 0595221 THIS
APPLIANCE IS FOR USE WITH PROPANE GAS (G31)
THIS APPLIANCE IS SUITABLE ONLY FOR INSTALLATION IN THE UNITED
KINGDOM (GB) AND THE REPUBLIC OF IRELAND (IE).**

We trust that these instructions give sufficient details to enable this appliance to be installed and maintained satisfactorily. However, if further information is required, our

Baxi Fires Division Technical Helpline will be pleased to help.

Telephone **08706 061 065** (National call rates apply in the United Kingdom)

In the Republic of Ireland call 0044 08706 061 065

INSTALLER: Please leave this guide with the owner

INSTALLER GUIDE

Safety First.

Baxi Fires Division fires are CE Approved and designed to meet the appropriate British Standards and Safety Marks.



Quality and Excellence.

At the heart of every Baxi Fires Division fire.

All Baxi Fires Division fires are manufactured to the highest standards of quality and excellence and are manufactured under a BS EN ISO 9001 quality system accepted by the British Standards Institute.



The Highest Standards

Baxi Fires Division is a member of the Society of British Gas Industries which works to ensure high standards of safety, quality and performance.



Careful Installation

Baxi Fires Division is a CORGI registered company. All our gas fires must be installed by a competent CORGI Registered Installer in accordance with our Installer Guide and should not be fitted directly on to a carpet or floor of combustible material.

B A X I F I R E S D I V I S I O N

Baxi Fires Division, Erdington, Birmingham B24 9QP

www.firesandstoves.co.uk

Because our policy is one of constant development and improvement, details may vary slightly from those given in this publication

INSTALLER GUIDE

CONTENTS

<u>Section</u>	<u>Heading</u>	<u>Page</u>
1.	SAFETY	4
2.	APPLIANCE DATA	5
3.	GENERAL INSTALLATION REQUIREMENTS	6
4.	PACK CONTENTS	12
5.	FIREPLACE CHECK	14
6.	IGNITION CHECK	15
7.	GAS SUPPLY CONNECTION	15
8.	PREPARING APPLIANCE FOR INSTALLATION	16
	8.1 Appliance Preparation	16
	8.2 Fitting the Front Surround	16
	8.3 Fitting the foam seal.	16
	8.4 The Flue Restrictor	17
9.	FIREBOX INSTALLATION	18
10.	BURNER INSTALLATION	20
	10.1 Burner & Supply Pipe Installation	20
	10.2.1 Lighting the burner	20
	10.2.2 Operating the burner.	20
	10.3 Inlet Pressure Check	21
	10.4 Fitting the burner tray trim.	21
11.	LOWER FIREFRONT INSTALLATION	21
12.	CERAMIC PEBBLE INSTALLATION	22
13.	FULL OPERATING CHECKS	24
	13.1 Check the Control Settings	24
	13.1.1 Lighting the burner	24
	13.1.2 Operating the burner.	24
14.	SPILLAGE & FLAME SUPERVISION CHECKS	25
	14.1 Check for Spillage	25
	14.2 Flame Supervision & Spillage Monitoring System	25
15.	FINAL REVIEW	26
16.	SERVICING & PARTS REPLACEMENT	27
	16.1 Checking the aeration setting of the burner.	28
	16.2 To Remove the Burner Unit	28
	16.3 To Remove the Pilot Unit	28
	16.4 To Remove the gas valve	29
	16.5 To Replace the Burner	29
	16.6 To Remove the Main Burner Injector	30
	16.7 To Remove the Appliance from the Fireplace	30
	16.8 To Remove the Fire Front Surround	30
17.	SHORT LIST OF SPARES	31

INSTALLER GUIDE

1. SAFETY

Installer

Before continuing any further with the installation of this appliance please read the following guide to manual handling

- The lifting weight of this appliance is as below: -

Monaco 10.0 kg

Steel 10.0 kg

- One person should be sufficient to lift the fire. If for any reason this weight is considered too heavy then obtain assistance.
- When lifting always keep your back straight. Bend your legs and not your back.
- Avoid twisting at the waist. It is better to reposition your feet.
- Avoid upper body/top heavy bending. Do not lean forward or sideways whilst handling the fire.
- Always grip with the palm of the hand. Do not use the tips of fingers for support.
- Always keep the fire as close to the body as possible. This will minimise the cantilever action.
- Use gloves to provide additional grip.
- Always use assistance if required.

INSTALLER GUIDE

2. APPLIANCE DATA

This product uses fuel effect pieces and a burner compartment rear wall containing Refractory Ceramic Fibres (RCF), which are man-made vitreous silicate fibres. Excessive exposure to these materials may cause irritation to eyes, skin and respiratory tract. Consequently, it is important to take care when handling these articles to ensure that the release of dust is kept to a minimum. To ensure that the release of fibres from these RCF articles is kept to a minimum, during installation and servicing we recommend that you use a HEPA filtered vacuum to remove any dust and soot accumulated in and around the fire before and after working on the fire. When replacing these articles we recommend that the replaced items are not broken up, but are sealed within a heavy duty polythene bag, clearly labelled as RCF waste. This is not classified as “hazardous waste” and may be disposed of at a tipping site licensed for the disposal of industrial waste. Protective clothing is not required when handling these articles, but we recommend you follow the normal hygiene rules of not smoking, eating or drinking in the work area and always wash your hands before eating or drinking. This appliance does not contain any component manufactured from asbestos or asbestos related products.

Gas	Natural (G20)	Propane (G31) *
Inlet Pressure	20mbar	37mbar
Input - Max. (Gross)	6.0kW (20,500Btu/h)	6.1kW (20,800Btu/h)
Input - Min. (Gross)	2.3kW (7,850Btu/h)	3.8kW (12,965Btu/h)
Inlet Test Pressure (Cold)	20.0 ± 1.0mbar (8.0 ± 0.4in w.g.)	37.0 ± 1.0 mbar (14.85 ± 0.4in w.g.)
Gas Connection	8mm pipe	8mm pipe
Burner Injector	Stereomatic Cat 82 - 069	Stereomatic Size 128
Pilot & Atmosphere Sensing Device	Copreci Ref. O.D.S 21500/166	Copreci Ref. O.D.S 21500/166 Fitted with RBM 180 - 02 injector
Ignition	Piezo Electric. Integral with Gas Tap	Piezo Electric. Integral with Gas Tap
Aeration	See section 16.1	Non-adjustable

* When converted using Kit 0595221

The appliance data label is located on a plate at the base of the fire. This can be seen by removing the lower hanging trim.

INSTALLER GUIDE

3. GENERAL INSTALLATION REQUIREMENTS

3.1 The installation must be in accordance with these instructions.

For the user's protection, in the United Kingdom it is the law that all gas appliances are installed by competent persons in accordance with the current edition of the Gas Safety (Installation and Use) Regulations. Failure to install the appliance correctly could lead to prosecution. The Council for the Registration of Gas Installers (CORGI) requires its members to work to recognised standards.

In the United Kingdom the installation must also be in accordance with:

All the relevant parts of local regulations.

All relevant codes of practice.

The relevant parts of the current editions of the following British Standards: -

BS 715 BS 1251 BS 1289 Part 1 BS EN 1806

BS 4543 Part 2 BS 5440 Part 1 BS 5440 Part 2 BS 5871 Part 1

BS 6461 Part 1 BS 6891

In England and Wales, the current edition of the Building Regulations issued by the Department of the

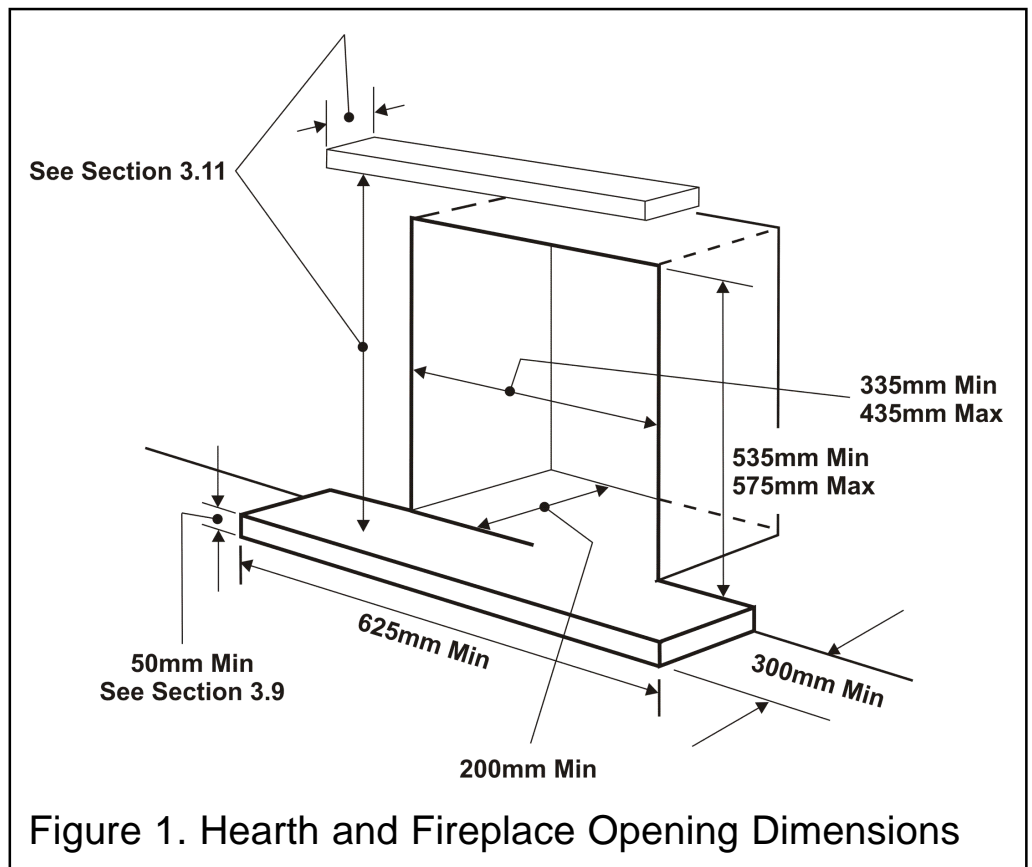
Environment and the Welsh Office

In Scotland, the current edition of the Building Standards (Scotland) Regulations issued by the Scottish Executive.

In Northern Ireland, the current edition of the Building regulations (Northern Ireland) issued by the Department of the Environment for Northern Ireland.

In the republic of Ireland the installation must be carried out by a competent person and installed in accordance with:

- The current edition of IS 813 "Domestic gas installations"
- All relevant national and local rules in force.
- The current building regulations



INSTALLER GUIDE

Where no specific instructions are given, reference should be made to the relevant British Standard Code of Practice.

3.2 In the United Kingdom, as supplied, this appliance can be installed in the following situations: -

3.2.1 A masonry chimney with a minimum diameter of 175mm (7") free from any obstruction, and with any damper or restrictor plate in the chimney removed or secured, and having a minimum effective flue height of 3m (10ft). A masonry chimney having a correctly installed flue liner to BS715 and with a minimum flue diameter of 125mm is also acceptable. Chair brick removal may not be required providing at least 50mm clearance is available from the flue outlet to any fireplace component. The appliance is designed to cater for low lintel installations (min height 505mm) providing a minimum distance of 25mm is maintained between the lintel and the front face of the fireplace (i.e. 25mm rebated fire surround).

3.2.1.1 'Hole-in-the-wall' Installations

- **It is recommended that a hearth should be installed as in figure 1.**
- **If a hearth is not fitted, the fire must be installed so that the distance from the base of the fireplace opening in the wall to the finished floor level is at least 72mm.**

3.2.2 To a fireplace incorporating a metal flue box conforming to BS715 with a minimum internal depth of 150mm. Incombustible mineral wool insulation of not less than 50mm thickness must be applied to the top surface of the firebox (See figure 2) and it must stand on a non-combustible hearth. See figure 1.

3.2.3 To a fireplace that has a precast concrete or clay flue block system conforming to BS1289 or BS EN 1806. The appliance is suitable for installations conforming to older versions of BS1289 as well as the current edition. The flue blocks must have a minimum width not less than 63mm and a cross-sectional area not less than $13,000\text{mm}^2$. Older editions of BS1289 required a cross-sectional area of $13,000\text{mm}^2$.

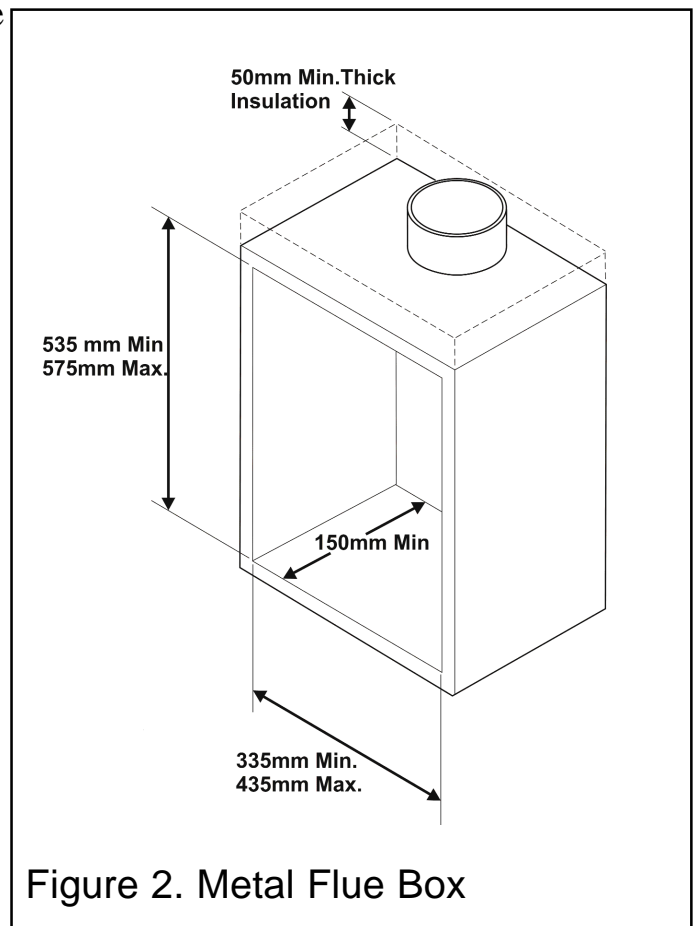


Figure 2. Metal Flue Box

INSTALLER GUIDE

The current revision of the standard requires $16,500\text{mm}^2$. This appliance is suitable in both cases. The total depth of the opening measured from the finished front of the fireplace (Including plaster, surround etc.) must be **not less than 120mm**. See figure 3. The current versions of BS1289 and BS EN 1806 recommend that there should be an air space or insulation between the flue blocks and the plaster because heat transfer may cause cracking on directly plastered flues. However, generally this appliance is suitable for installations under all circumstances unless there is a history of cracking problems. Remember that faults such as cracking may be caused by poorly built and restrictive flues, e.g. mortar extrusions, too many bends, flue heights below three metres, restrictive terminations, etc.

3.2.4 If the fireplace opening is greater than the acceptable dimensions given in this guide, do not use the back of a fire surround or marble to reduce the opening. This may cause cracking of the surround back or marble.

3.3 The following flues are suitable:

- 225mm x 225mm conventional brick flue.

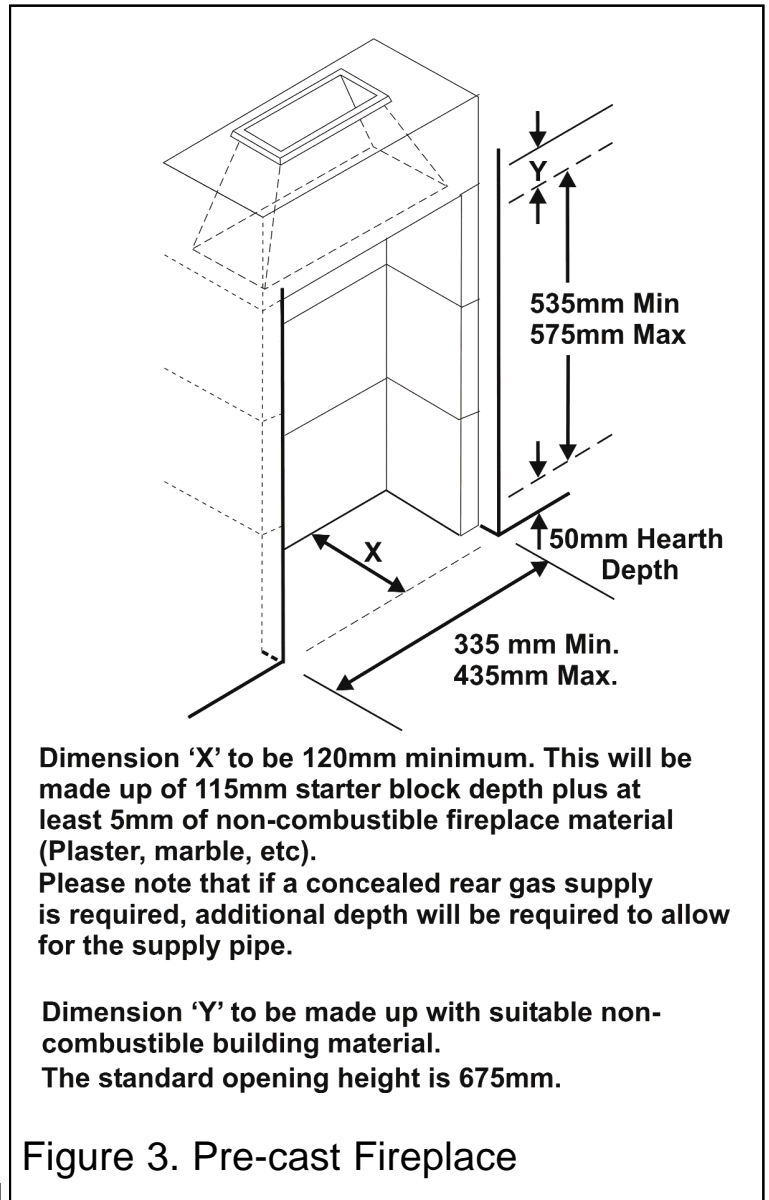
If a flue liner is used, it must be a minimum of 125mm diameter. The liner must be sealed to the surrounding area above the fireplace opening and to the top of the chimney. An approved terminal must be fitted.

- A properly constructed precast flue conforming to B.S 1289 or BS EN 1806.
- A flue pipe with a minimum diameter of 127mm. See B.S 6461 Part 1 for suitable materials. Metal flue pipes must comply with B.S 715.

3.3.1 The minimum effective height of the flue must be 3m.

3.3.2 The flue must be clear of any obstruction and its base must be clear of debris.

3.3.3 The flue must be completely sealed so that combustion products do not come into contact with combustible materials outside the chimney.



INSTALLER GUIDE

3.3.4 The flue must serve only one fireplace.

3.4 The flue must conform to BS 5440: Part 1 in design and installation.

The flue, measured from the bottom of the fireplace opening to the bottom of the terminal, shall be not less than 3m in actual vertical height. When calculated in accordance with BS 5440: Part 1 Annex A, the minimum **equivalent** height of the flue shall be 2.0m of 125mm dia. flue pipe.

3.5 The flue must not be used for any other appliance or application.

3.6 Any chimney dampers or restrictors should be removed. If removal is not possible they must be fixed in the open position.

3.7 If the appliance is intended to be installed to a chimney, which was previously used for solid fuel, the flue must be swept clean prior to installation. All flues should be inspected for soundness and freedom from blockages.

3.8 If the fireplace opening is an underfloor draught type, it must be sealed to stop any draughts.

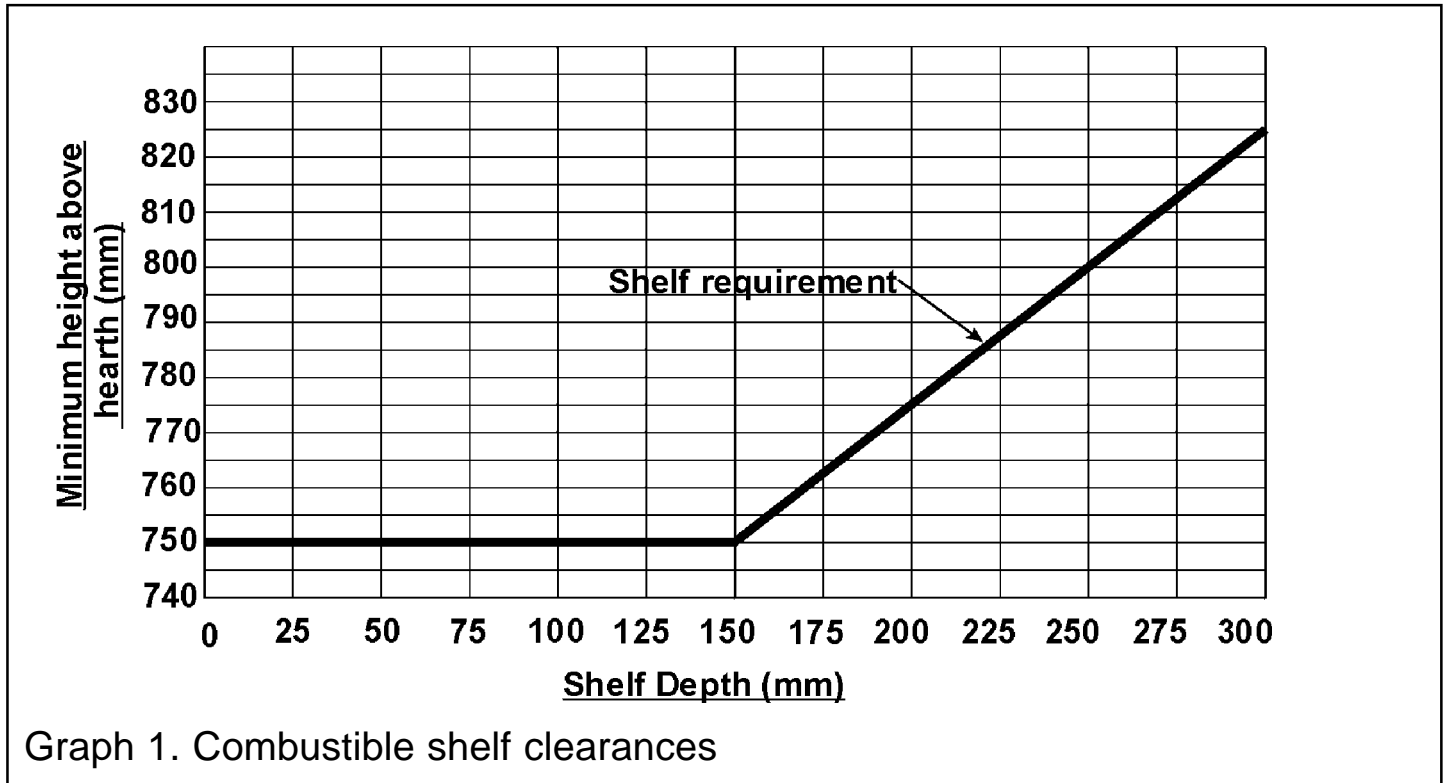
3.9 The appliance must be mounted behind a non-combustible hearth (N.B. conglomerate marble hearths are considered as non-combustible). The appliance can be fitted to a purpose made proprietary class “O”-150°C surround. The hearth material must be at least 12mm thick. The periphery of the hearth (or fender) should be at least 50mm above floor level to discourage the placing of carpets or rugs over it. The appliance must not stand on combustible materials or carpets (See figure 1).

3.10 The front face of the fireplace should be reasonably flat over the area covered by the hotbox top and side flange seals to ensure good sealing. These faces should be made good if necessary. The fireplace floor should be reasonably flat to ensure that a good seal with the hotbox can be made.

INSTALLER GUIDE

3.11 The minimum height from the top surface of the hearth to the underside of any shelf made from wood or other combustible materials is detailed below.

- For a shelf up to 150mm deep: Minimum height = 750mm.
- For a shelf deeper than 150mm: 150mm + 12.5mm for every 25mm depth over 150mm. (See Graph 1)



3.12 Note that soft wall coverings (e.g. embossed vinyl, etc.) are easily affected by heat. They may scorch or become discoloured when close to a heating appliance. Please bear this in mind when installing.

3.13 The appliance must not be installed in any room, which contains a bath, or shower or where steam is regularly present.

3.14 An extractor fan may only be used in the same room as this appliance, or in any area from which ventilation for the appliance is taken, if it does not affect the safe performance of the appliance. Note the spillage test requirements detailed further on in this manual. If the fan is likely to affect the appliance, the appliance must not be installed unless the fan is permanently disconnected.

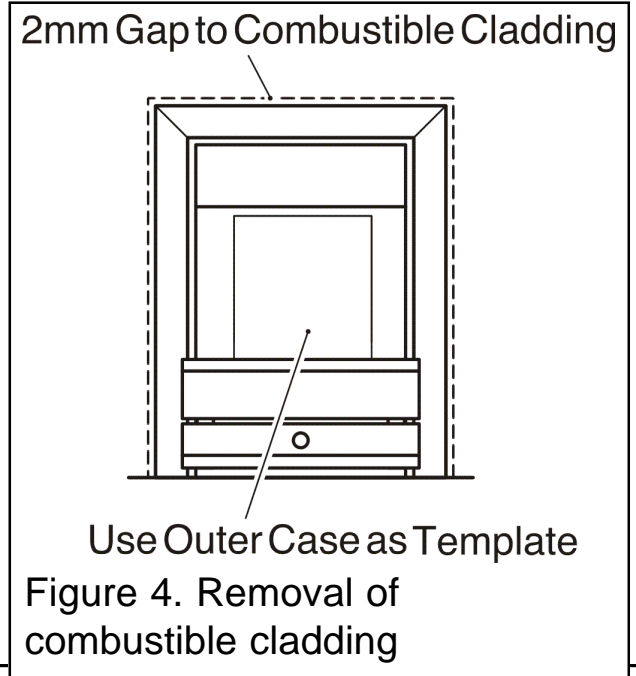
3.15 Normal adventitious ventilation is usually sufficient to satisfy the ventilation requirements of this appliance. In GB reference should be made to BS 5871 Part 2 and in IE reference should be made to the current edition of IS 813 “Domestic gas Installations” which makes clear the conditions that must be met to demonstrate that sufficient ventilation is available

INSTALLER GUIDE

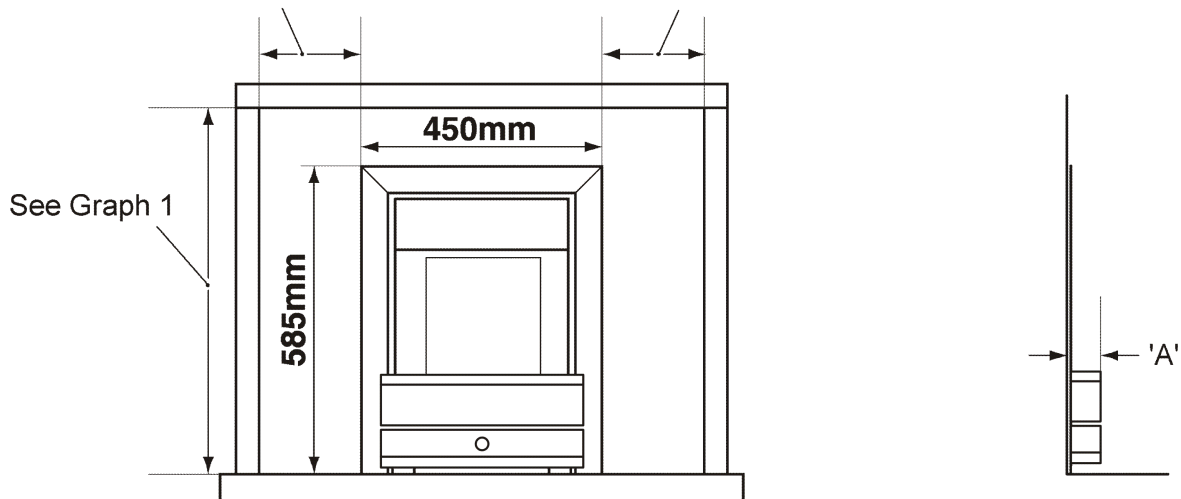
3.16 Propane gas appliances must not be installed in a room, which is built entirely below ground level (See BS 5871 Pt2).

3.17 If the appliance is to be fitted against a wall with combustible cladding, the cladding must be removed from the area covered by the outer surround. The cladding must also not touch the surround. (See figure 4). We suggest that the actual surround is used as a template to mark the area for combustible cladding removal and that this area is increased by at least 2mm all round.

3.18 The minimum allowable distance from the outside of the appliance case to a corner wall having combustible material or any other combustible surface which projects beyond the front of the appliance is shown in figure 5. A 10mm access clearance from a non-combustible surface is necessary at both sides. See figure 5.



100mm minimum mandatory clearance to combustible surfaces projecting beyond front of appliance. For access purposes a 10mm clearance is recommended to non-combustible surfaces



Shown with 'Monaco' firefront. Dimensions are relevant to both models

Dimension 'A' - Projection into room

<u>Model</u>	Monaco	Steel
<u>Dimension (mm)</u>	43mm	75mm

Figure 5. Appliance dimensions

INSTALLER GUIDE

3.19 Proprietary terminals must comply with BS 715 or BS 1289. Any terminal or termination must be positioned in accordance with BS 5440 Part 1 to ensure that the products of combustion can be safely dispersed into the outside atmosphere. Where the appliance is connected to an unlined brick chimney it is generally unnecessary for the chimney pot to be replaced or for a terminal to be fitted unless the flue has a diameter smaller than 170mm.

3.20 The appliance is fitted with an A.S.D (Atmosphere sensing device). If the appliance closes down after a period of operation for no apparent reason, the consumer should be informed to stop using the appliance until the installation and appliance have been thoroughly checked. The A.S.D will shut the appliance down if an unacceptable amount of harmful products of combustion accumulate. Under no circumstances should the A.S.D be altered or bypassed in any way. Only a genuine manufacturers replacement part should be fitted. The individual A.S.D components are not replaceable.

3.21 A fireguard complying with BS 8423 should be fitted for the protection of young children, the elderly, or the infirm.

4. PACK CONTENTS

- 1 Hotbox and Burner assembly
- 1 Firefront surround
- 1 Lower firefront trim
- 1 Literature Pack
- 1 Loose parts pack including: -
 - 1 Burner tray trim
 - 1 Length of Self-Adhesive Foam seal
 - 2 Tension Cables
 - 2 Cable Adjusters
 - 1 Flue restrictor with 2 securing screws
 - 4 Eyescrews
 - 4 Fibre Plugs
 - 1 Strip of Floor Sealing Tape
 - 1 Nut and Olive for 8mm Inlet Pipe
 - 1 "T" connector including pressure test point
 - 1 Grommet for rear of hotbox.

- 1 Pebble base
- 1 Loose pebble pack

INSTALLER GUIDE

Remove all the items carefully to prevent damage. Take special care when handling the ceramic components. Some items may be contained in the packaging fitments - Examine the packaging carefully before discarding. Check that all the items are present and undamaged.

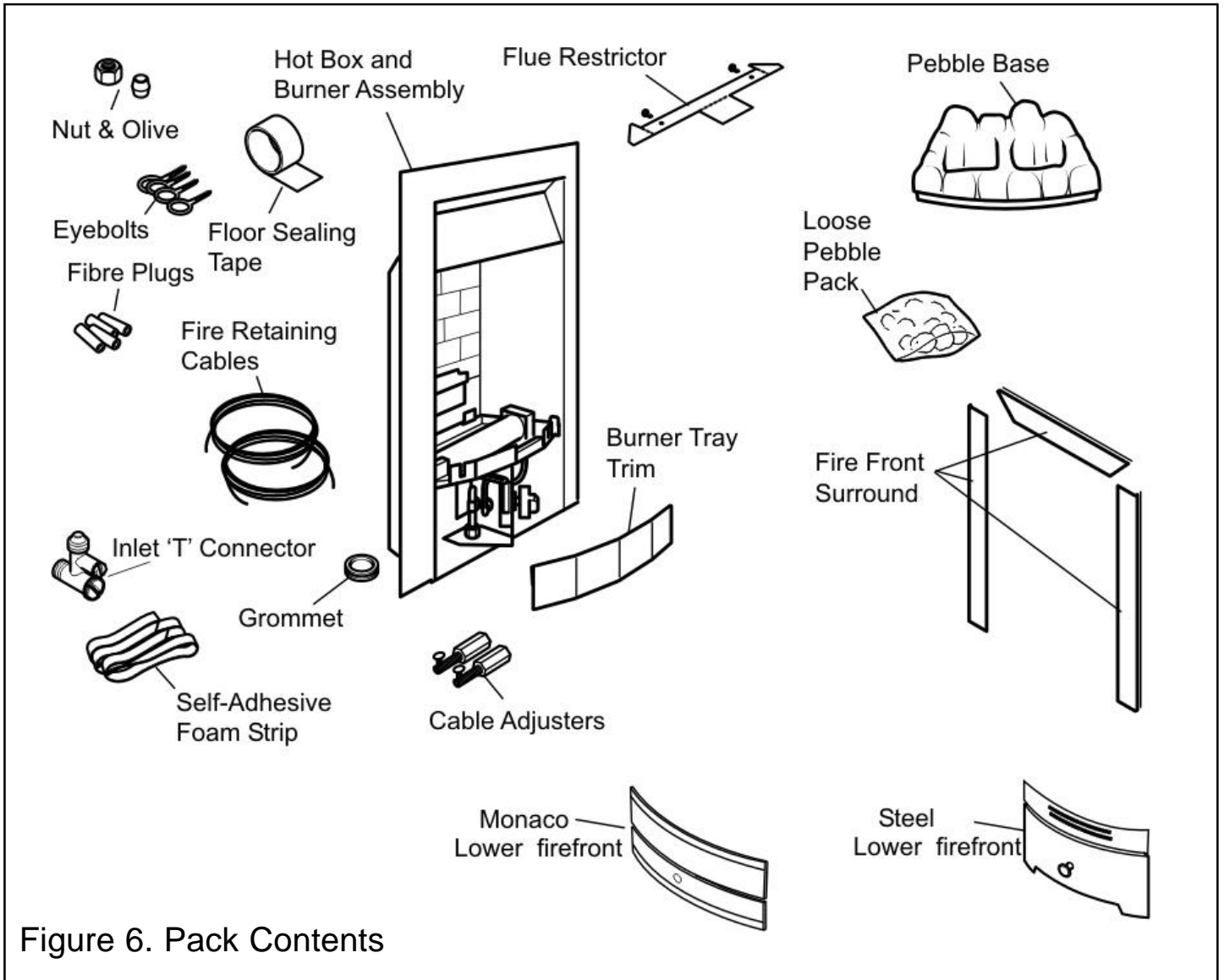


Figure 6. Pack Contents

INSTALLER GUIDE

5. FIREPLACE CHECK

5.1 Fireplace check

5.1.1 Fireplace size

The fireplace must comply with the requirements described in section 3.2. This may entail removing the fireback and infill material behind the fireback.

5.1.2 Fireplace general condition

The fireplace floor should be reasonably flat to ensure that the hotbox can be installed without it rocking and so that a good seal can be made at the bottom front of the box. The front face of the fireplace should be reasonably flat over the area covered by the hotbox top and side flange seals to ensure good sealing. These faces should be made good if necessary. If the appliance is to be fitted against a wall with combustible cladding, the cladding must be removed from the area covered by the outer surround. The cladding must also not touch the surround. (See figure 4). We suggest that the actual surround is used as a template to mark the area for combustible cladding removal and that this area is increased by at least 2mm all round.

5.1.3 Soundness for appliance attachment

One primary methods of retaining the appliance is provided: -

1) Using concealed tension cables fixed to the rear of the fireplace opening.

The method is detailed in section 9.1 of this manual. Make sure that the areas at the back and towards the centre of the fireplace floor are sound enough to take the eyebolts. If these areas have deteriorated due to prolonged use, they should be made sound with a suitable cement.

5.1.4 Installations using a metal flue box

The whole of the top surface of the metal flue box must be covered with a minimum 50mm layer of mineral wool or equivalent insulation. (See figure 2).

5.2 Fireplace Flue Pull

Close all doors and windows in the room in which the appliance is to be installed. After confirming with a match that smoke is drawn into the flue, light a 13 gram smoke pellet and check that there is a definite flow through the flue. Verify outside that the smoke exits from one terminal only and that the termination is suitable. Observe where possible, upstairs rooms and loft spaces for signs of escaping smoke indicating a defective flue. If there is not a definite flow warm the flue for a few minutes and repeat the smoke pellet test. If there is still no definite flow the flue may need remedial work – **Do not fit the appliance until there is a definite flow through the flue.**

INSTALLER GUIDE

6. IGNITION CHECK

Before attempting to install, it is worth checking that the ignition system performs satisfactorily.

Set the control knob to the off position.

Depress the control knob and rotate it anticlockwise to the pilot ignition position. A 'click' will be heard as the integral piezo operates. A spark should be seen between the electrode and pilot tip. If there is no spark check the following: -

- Ensure that the electrode lead is connected to the terminal at the base of the electrode.
- If the above is correct, check for damage to the electrode lead.

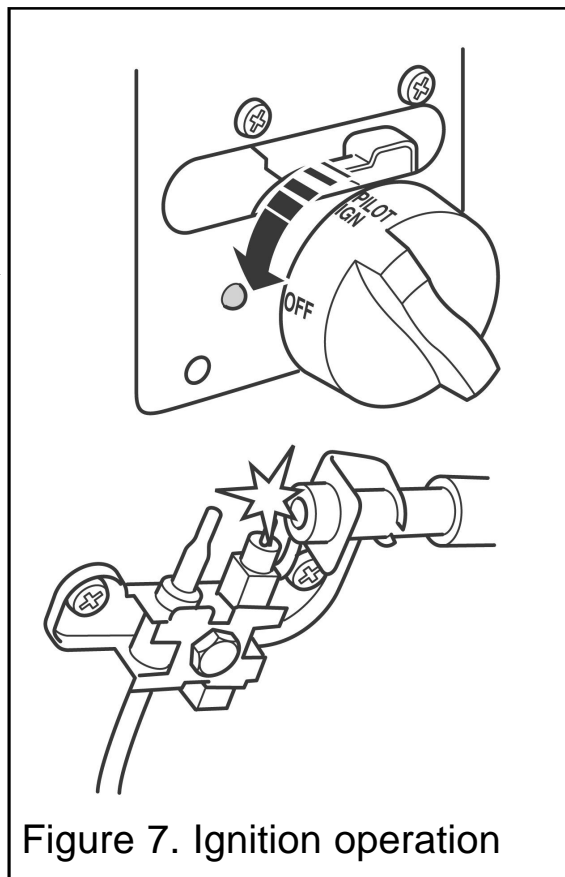


Figure 7. Ignition operation

7. GAS SUPPLY CONNECTION

A nut and olive are provided for an 8mm pipe inlet connection to the 'T' connector at the bottom front of the appliance. The 'T' connector can be rotated to allow a connection from any direction. The 'T' connector includes a valve for isolating the gas supply and a pressure test point.

The supply pipe must be rigid material. Flexible pipe must not be used.

Concealed Supply Pipe Connection

If a concealed connection from inside the fireplace is required then, **before the appliance is fitted into the fireplace** it will be necessary to extend the supply line so that it will project through the hole in the back of the hotbox and run to the 'T' connector at the front. The pipe run from the supply line up to the rear opening in the hotbox must be kept away from the area which will be taken by the hotbox when it is installed. Note that the centre of the appliance inlet 'T' connector is 25mm above the fireplace floor. The inlet 'T' connector should be fitted to the supply pipe at this stage.

8. PREPARING APPLIANCE FOR INSTALLATION

8.1 Appliance Preparation

1. Remove any transit tape and packing and inspect for any evidence of mishandling which might affect the performance. Each unit is flame tested before it leaves the factory and as a result there may be slight discolouration around the burner ports.
2. Detach the burner unit from the hotbox by removing two screws - See figure 8. Lift the burner unit clear.

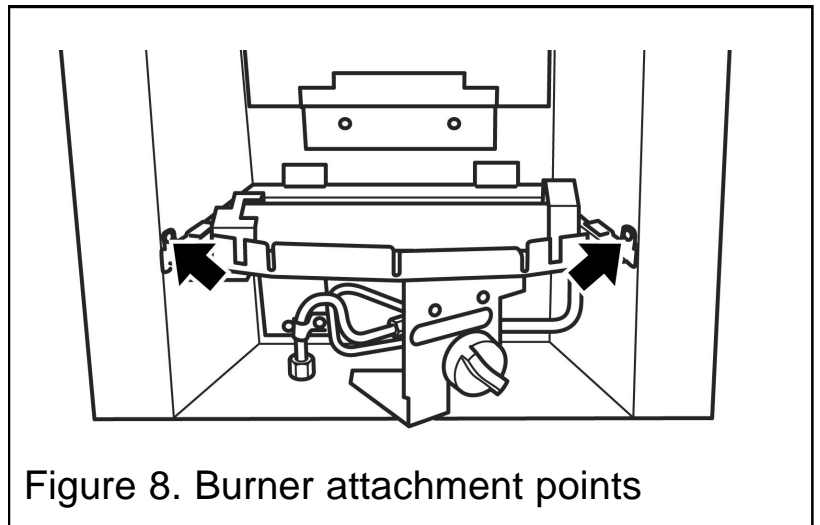


Figure 8. Burner attachment points

IMPORTANT

Before continuing with the installation of this gas fire the aeration setting on the burner must be checked. The aeration is factory set for use with the fuel effect supplied, but will still require checking. See section 16.1 (Servicing and parts replacement).

3. It is important that the grommet supplied in the loose parts pack is fitted to the hole in the rear of the hotbox.

8.2 Fitting the Front Surround

1. The front surround is supplied in three sections. Remove any protective film. The two longer sections are the left and right sides. The shorter section is the top. The left and right hand sections have folded edges, one of which is shorter than the other. This shortened edge should be fitted at the inner top on both sides. Fit the top section last and centralise (See figure 9)

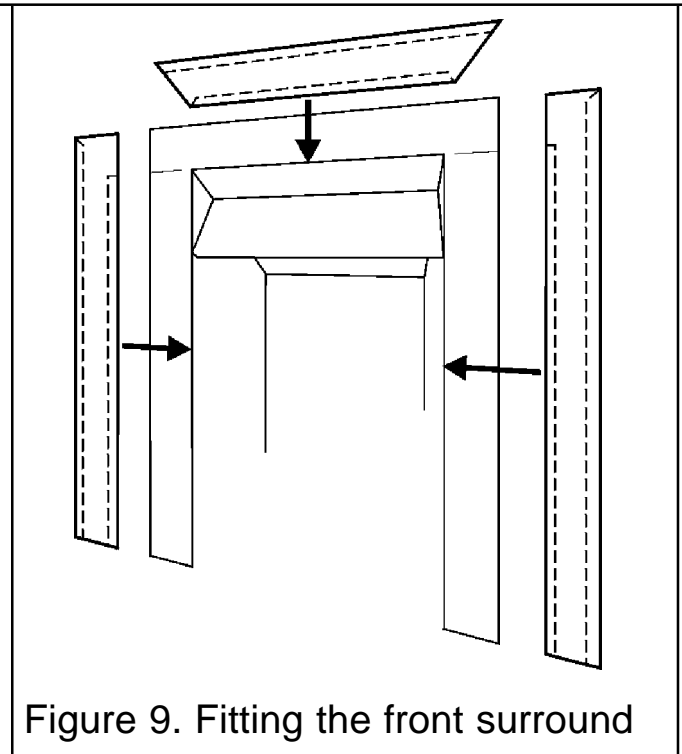


Figure 9. Fitting the front surround

8.3 Fitting the foam seal.

There is a length of self adhesive foam seal supplied with the fire. This will need to be fitted to the outer rear edges of the side and top flanges of the hotbox. This will be fitted over the flanges of the front surround. **It is therefore important to ensure that the**

INSTALLER GUIDE

front surround is positioned correctly before fitting the foam seal. Cut the foam seal to the required length. Be careful not to stretch the seal when measuring. Remove the protective backing from the foam seal and fit this to the rear of the hotbox flange (See figure 10).

8.4 The Flue Restrictor

This appliance is supplied with a flue restrictor for use where the flue draught is excessive. **The restrictor must not be fitted where a precast flue or a 125mm flue liner is used.** For flue liners greater than 125mm and all other installations the restrictor should be fitted. There may however, be certain exceptional circumstances where fitting the restrictor causes the fire to fail the spillage test. In such cases the restrictor will have to be removed. After removal conduct the spillage check again. The restrictor is packed flat with the appliance and will require bending prior to fixing. Bend the restrictor as shown in figure 11. Fit the restrictor as shown in figure 12 using the two screws provided.

The Foam Seal should touch at this point
Ensure that there is no gap between the seals

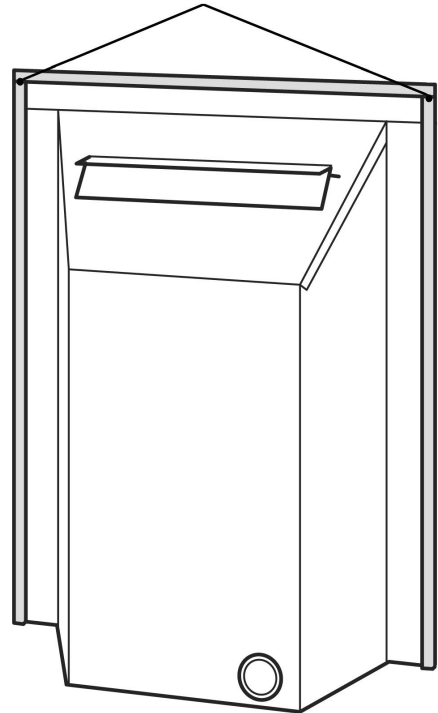


Figure 10. Fitting the foam seal

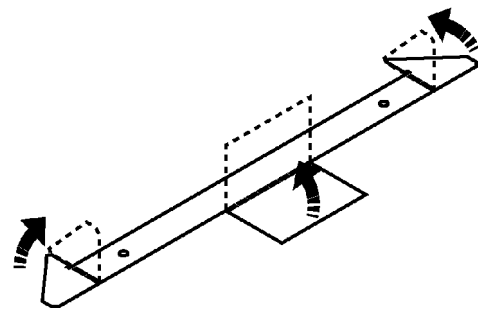


Figure 11. Bending the restrictor

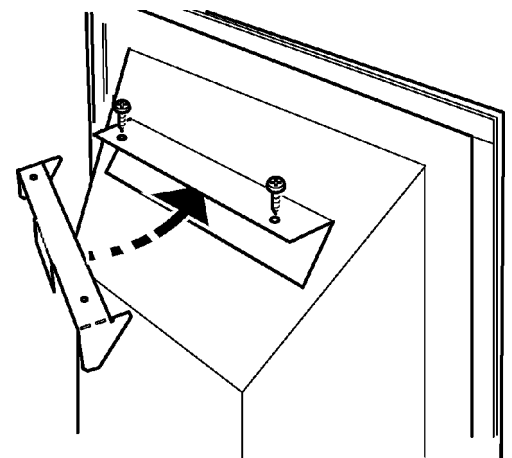


Figure 12. Fixing restrictor

INSTALLER GUIDE

9. FIREBOX INSTALLATION

9.1 Firebox Installation

1. Make sure that the relevant areas at the fireplace back are sound enough to take the eyebolts. If these areas have deteriorated due to prolonged use they should be made sound with a suitable cement.
2. Drill four holes in the rear wall of the fireplace for the eyebolt plugs. The holes should be drilled within the range of positions shown in

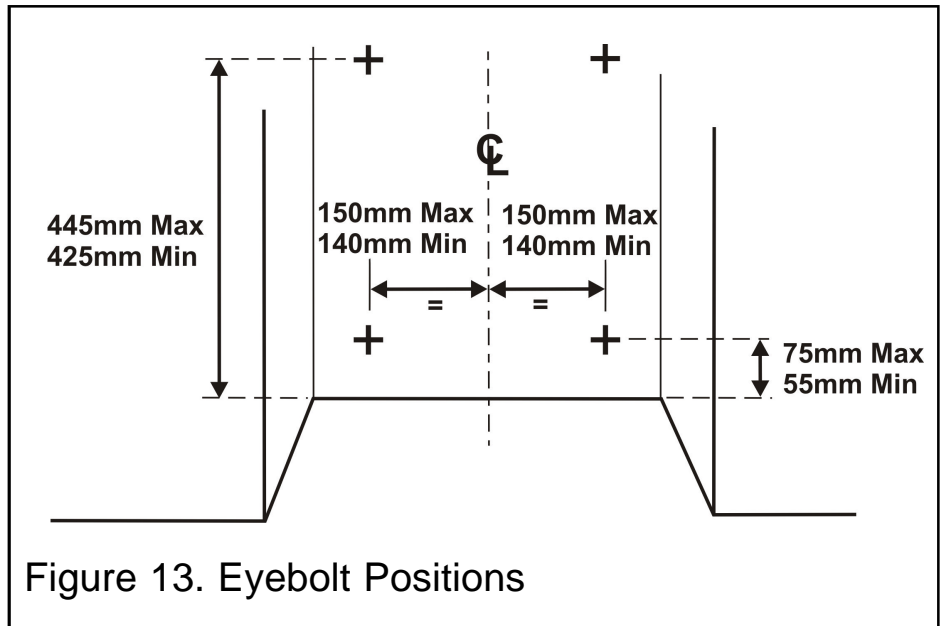


Figure 13. Eyebolt Positions

3. Insert a fibre plug into each hole. Use the fibre plugs supplied with this appliance - **Never use plastic plugs instead of the fibre plugs supplied.** Screw the eyebolts into the plugs. Make sure that the bolts are secure.

4. Place the hotbox unit close to the fireplace but allow sufficient access into the fireplace opening so that the cables can be threaded through the eyebolts and returned through the back of the hotbox. If a concealed connection is being used, insert the hotbox into the fireplace feeding the supply pipe through the pierced hole in the rear grommet.

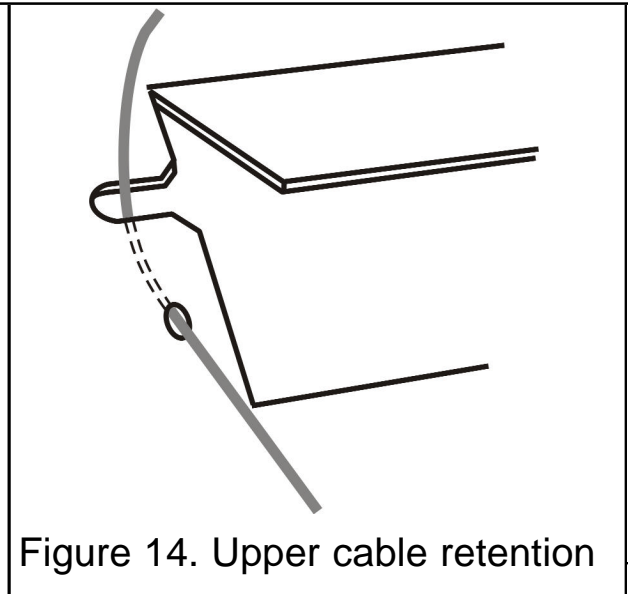


Figure 14. Upper cable retention

5. The rear of the hotbox has a slot and hole each side of the outlet opening. Assemble one end of the cable to the top of the fire by passing it through the small round hole and locking by positioning the cable in the adjacent slot. See figure 14. Give the cables a pull so that they grip.

6. Thread the cables through the eyebolts. Return the cables through the holes near the bottom of the hotbox side panels - See figure 15

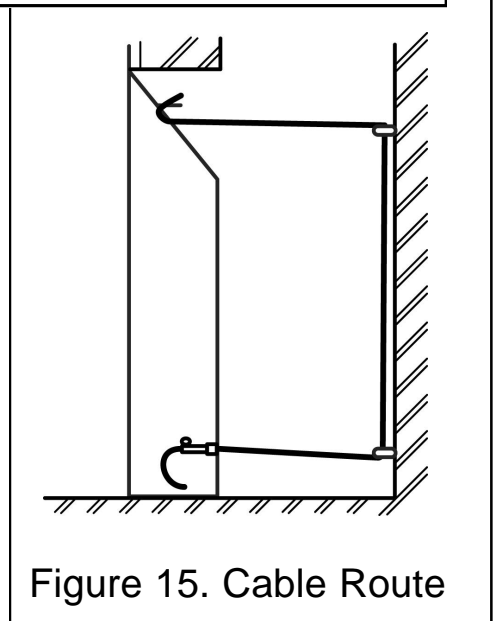


Figure 15. Cable Route

INSTALLER GUIDE

7. Place the hotbox fully back into the fireplace opening so that it is sealed against the fireplace front surround.

8. Fit a cable retainer over the bottom end of each cable.

9. Pull each cable taut. Push the cable retainers hard up against the back panel. The end of the cable adjuster will pass into the hole. Tighten the screws in the retainers so that they clamp the cables in position. Apply tension to the cables by turning the hexagonal adjusters by hand. See figure 16.

10. Inspect the installation of the hotbox against the fireplace surround. If the hotbox is aligned squarely and the sealing is satisfactory, fully tighten the cable retainers.

11. If the hotbox is not correctly aligned, release the tension on the cables by slackening the screws and turning the hexagonal adjusters fully anticlockwise. The hotbox should then automatically realign itself. Pull each cable taut again and push the cable retainers back against the back panel. Again, tighten the screws in the retainers and apply tension to the cables by turning the hexagonal adjusters clockwise as far as possible.

12. Do not cut off any excess cable, instead coil up the cable so that they are available to allow easy removal and refitting of the appliance during subsequent service calls.

9.2 Floor Sealing

Using the floor sealing tape supplied, seal the bottom of the hotbox to the fireplace and hearth floor. Run the tape over the centre bracket.

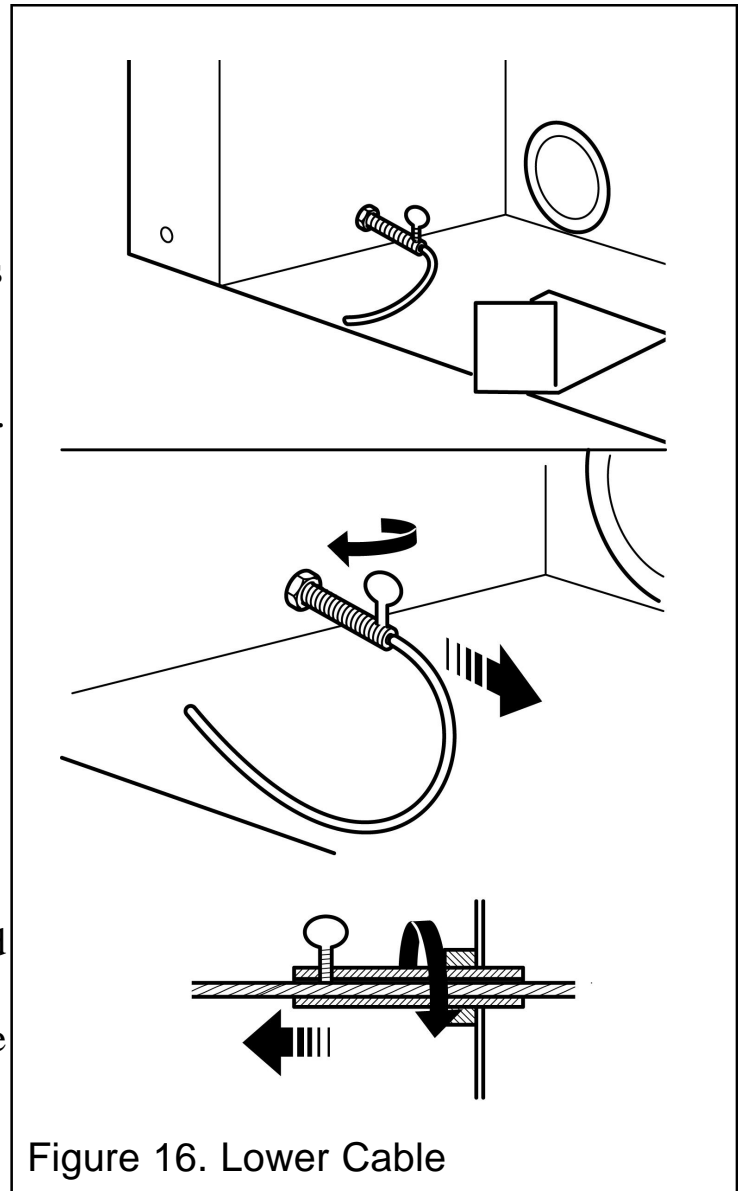


Figure 16. Lower Cable

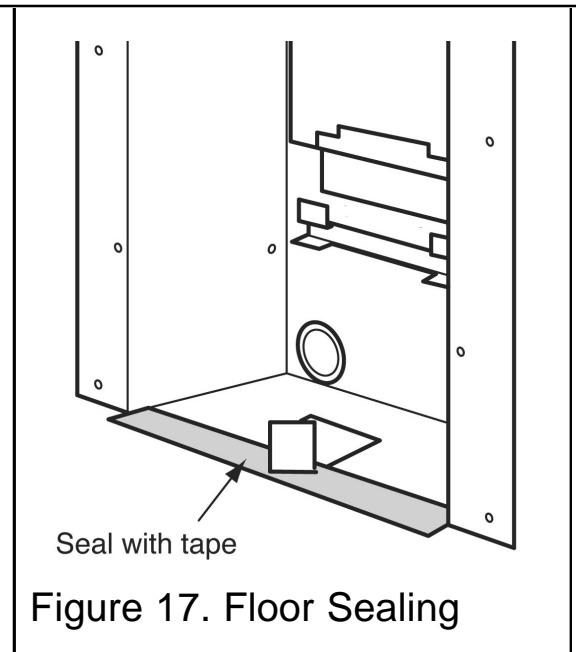


Figure 17. Floor Sealing

INSTALLER GUIDE

10. BURNER INSTALLATION

10.1 Burner & Supply Pipe Installation

1. Refit the burner unit to the hotbox using the two screws removed previously
2. Connect the supply line to the appliance.
3. If closed, open the isolating valve at the inlet 'T' connector.
4. Turn on the gas supply and pressure check the installation pipework for gas soundness. In the United Kingdom check in accordance with the current edition of BS 6891. In the Republic of Ireland refer to the current edition of I.S. 813 "Domestic gas installations".

10.2.1 Lighting the burner

Before lighting the burner ensure that any protective film has been removed from the firefront surround.

1. Depress the control knob and rotate it slowly anticlockwise to the pilot ignition position. A 'click' will be heard as the integral piezo operates. A spark should be seen between the electrode and pilot tip.
2. Turn the control knob clockwise to the 'Off' position. Repeat this operation until a flame appears at the pilot. There may be a delay before the pilot lights due to air being purged from the system. When a flame appears at the pilot keep the control knob depressed and hold the pilot ignition position for five seconds. When the control knob is released the pilot flame should remain lit.

10.2.2 Operating the burner.

1. When the pilot burner is operating properly, gradually turn the control knob anti-clockwise to 'HIGH' (Depress the knob slightly to get past the pilot ignition position). The main burner should now light. Depress the control knob slightly to release from the 'HIGH' position and turn back (clockwise) to 'LOW'. While turning, the burner flames should gradually become lower but remain alight. Depress the control knob slightly to release from the 'LOW' position and turn back (clockwise) to the Pilot ignition position. The main burner should extinguish but the pilot should remain alight. Depress the control knob slightly and turn back (clockwise) to turn OFF. This will extinguish the pilot.

If the above checks are satisfactory, continue with the installation. If not, check the control and ignition circuitry and components.

INSTALLER GUIDE

10.3 Inlet Pressure Check

The appliance is pre-set to give the correct heat input at the inlet pressure shown in section 2 of this manual. No adjustment is necessary.

1. Check the inlet pressure by fitting a pressure gauge at the test point. The test point is on the inlet 'T' connector. See figure 18. Check the pressure with the appliance alight and set at maximum output.
2. After checking, turn off the appliance. Remove the pressure gauge and replace the test point sealing screw.
3. Relight the appliance. Turn to the maximum output position and test around the sealing screw for gas soundness with a suitable leak detection fluid.

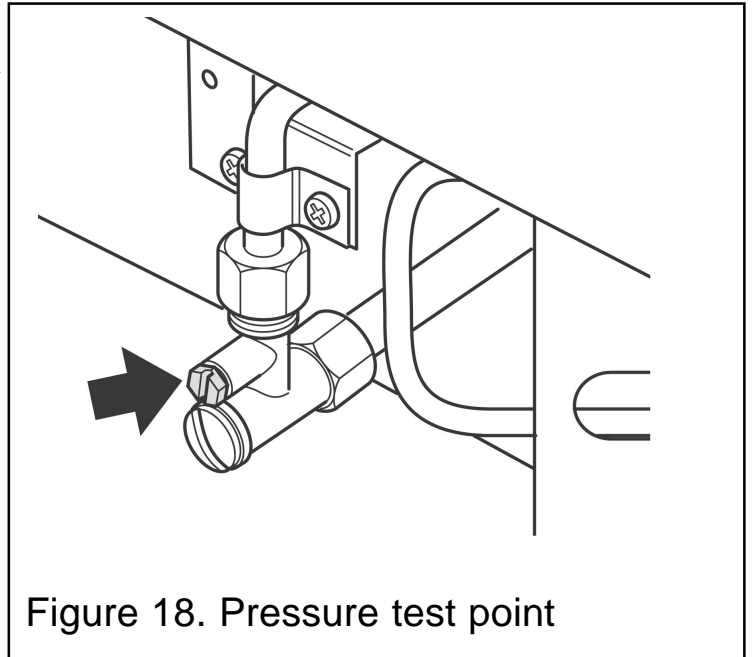


Figure 18. Pressure test point

10.4 Fitting the burner tray trim

1. Fit the burner tray trim over the front rim of the burner tray. Push the trim fully down. See figure 19.

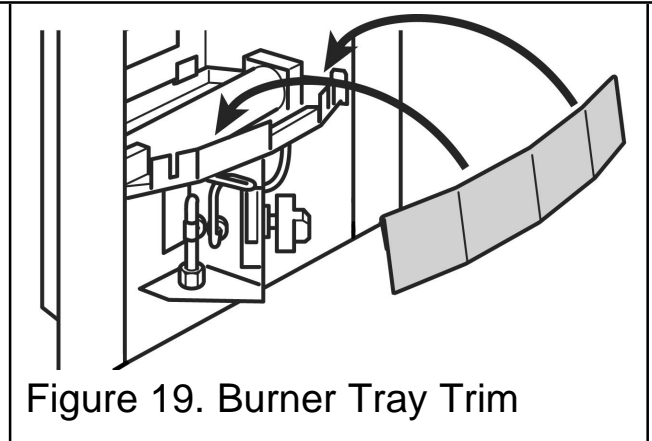


Figure 19. Burner Tray Trim

11. LOWER FIREFRONT INSTALLATION

11.1 Fitting the lower firefront.

Steel firefront only

1. There are two fold out hanging brackets on the rear of the Steel firefront. Fold these out so that they are perpendicular to the rear of the firefront.

Steel and Monaco firefronts

1. The rear of the firefront has two hanging brackets. Hook the hanging brackets over the top of the burner baffle (See figure 20).

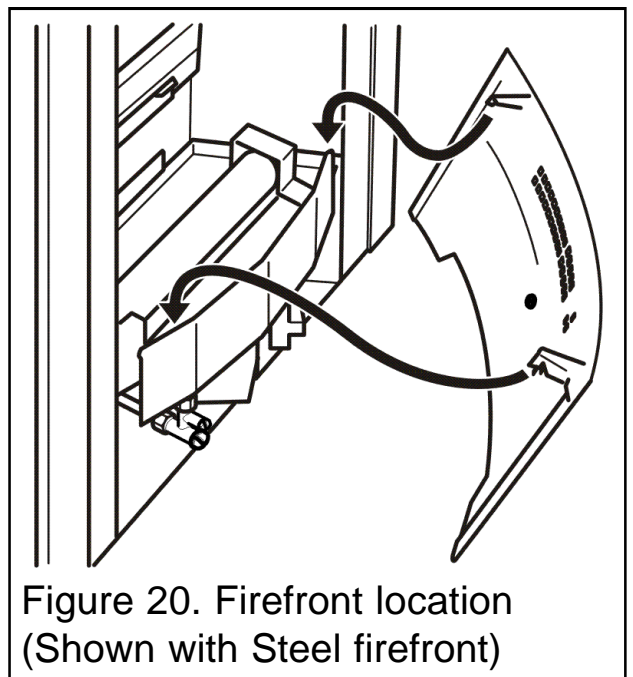


Figure 20. Firefront location (Shown with Steel firefront)

INSTALLER GUIDE

12. CERAMIC PEBBLE INSTALLATION

1. Place the base pebble in the firebox. It should rest on the ledges at the rear sides of the burner unit. See figure 21.

Install the 6 loose pebbles as follows. The underside of each pebble is marked with a letter 'A' to 'F' and an arrow.

2. The pebbles should be positioned so that the arrows always point towards the back of the fireplace opening. When located into position the stem of each arrow should be at 90° to the rear of the fireplace opening (See figure 22).

3. Hold pebble 'A' upright with the arrow pointing to the top. Place pebble "A" on top of the base pebble (See figure 22).

4. Hold pebble 'B' upright with the arrow pointing to the top. Place pebble "B" on top of the base pebble. (See figure 23).

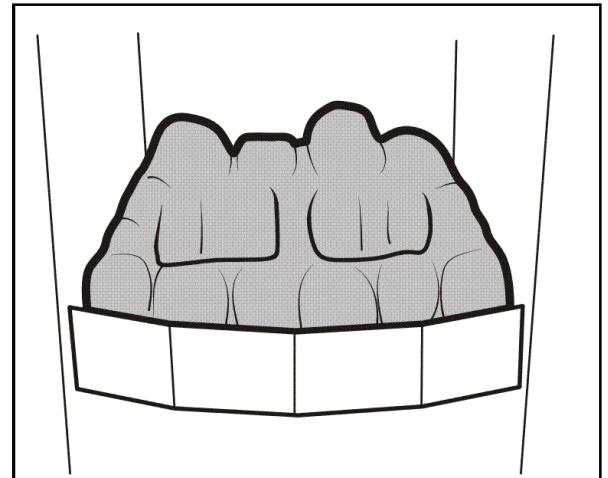


Figure 21 Base Pebble Position

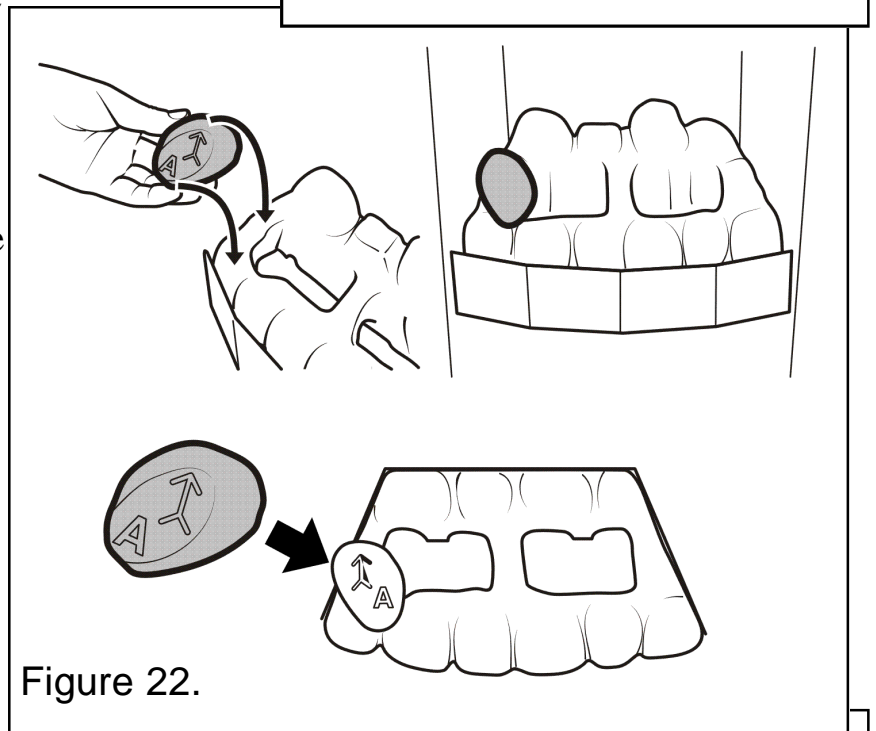


Figure 22.

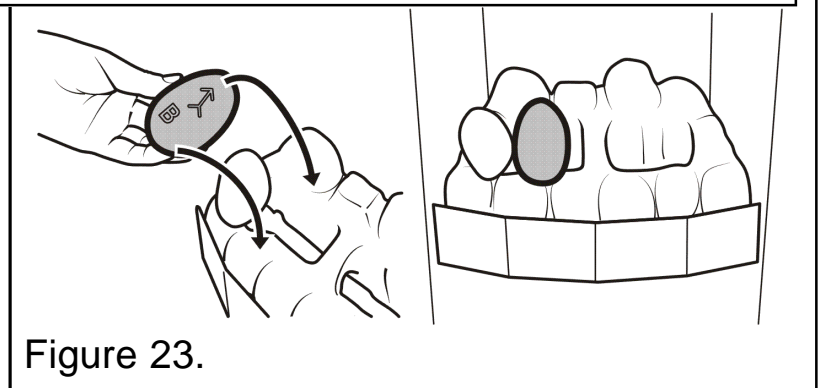
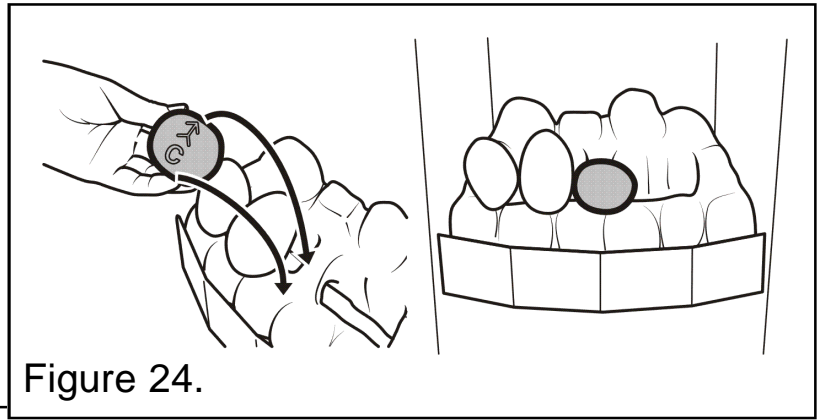


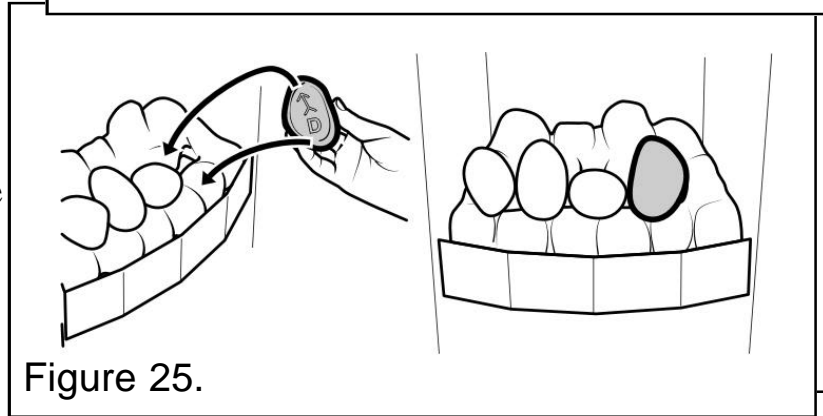
Figure 23.

INSTALLER GUIDE

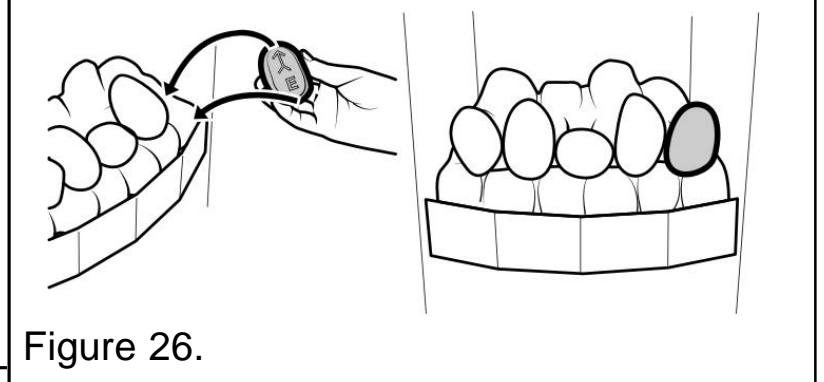
5. Hold pebble 'C' upright with the arrow pointing to the top. Place pebble "C" on top of the base pebble (See figure 24).



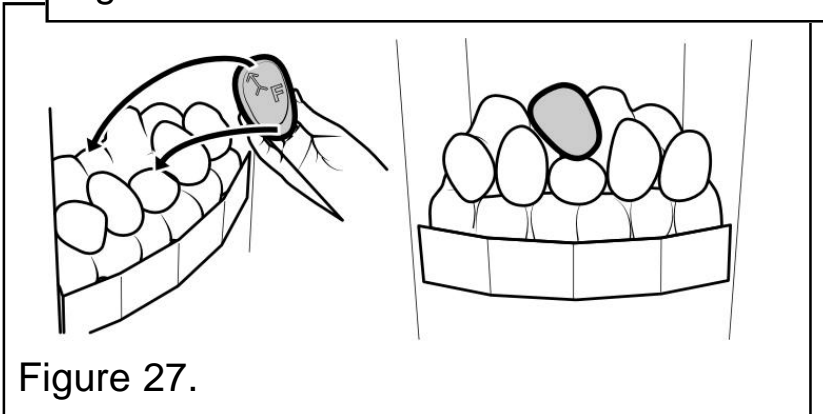
6. Hold pebble 'D' upright with the arrow pointing to the top. Place pebble "D" on top of the base pebble (See figure 25).



7. Hold pebble 'E' upright with the arrow pointing to the top. Place pebble 'E' on top of the base pebble (See figure 26).



8. Hold pebble 'F' upright with the arrow pointing to the top. Place pebble 'F' on top of pebble 'C'. It should rest against the rear of the pebble base (See figure 27)



13. FULL OPERATING CHECKS

13.1 Check the Control Settings

With the ceramic fuel effect in position the control operation must now be fully rechecked. Make sure that the isolating valve at the 'T' connector is open.

- *When first turned on from cold, the flames will appear predominantly blue.*
- *When operating the fire for the first time, some vapours may be given off which could set off smoke alarms in the vicinity. These vapours are quite normal with new appliances. They are totally harmless and will disappear after a few hours use.*

13.1.1 Lighting the burner

1. If closed, open the isolating valve at the inlet 'T' connector.
2. Depress the control knob and rotate it anticlockwise to the pilot ignition position. A 'click' will be heard as the integral piezo operates. A spark should be seen between the electrode and pilot tip.
3. Turn the control knob clockwise to the 'Off' position. Repeat this operation until a flame appears at the pilot. There may be a delay before the pilot lights due to air being purged from the system. When a flame appears at the pilot keep the control knob depressed and hold the pilot ignition position for five seconds. When the control knob is released the pilot flame should remain lit.

13.1.2 Operating the burner.

1. When the pilot burner is operating properly, gradually turn the control knob anti-clockwise to 'HIGH' (Depress the knob slightly to get past the pilot ignition position). The main burner should now light. Depress the control knob slightly to release from the 'HIGH' position and turn back (clockwise) to 'LOW'. While turning, the burner flames should gradually become lower but remain alight. Depress the control knob slightly to release from the 'LOW' position and turn back (clockwise) to the Pilot ignition position. The main burner should extinguish but the pilot should remain alight. Depress the control knob slightly and turn back (clockwise) to turn OFF. This will extinguish the pilot.

If the above checks are satisfactory, continue with the installation. If not, check the control and ignition circuitry and components as described in the servicing section of this guide.

While cooling the ceramic fuel effect may make some crackling noises. This is quite normal.

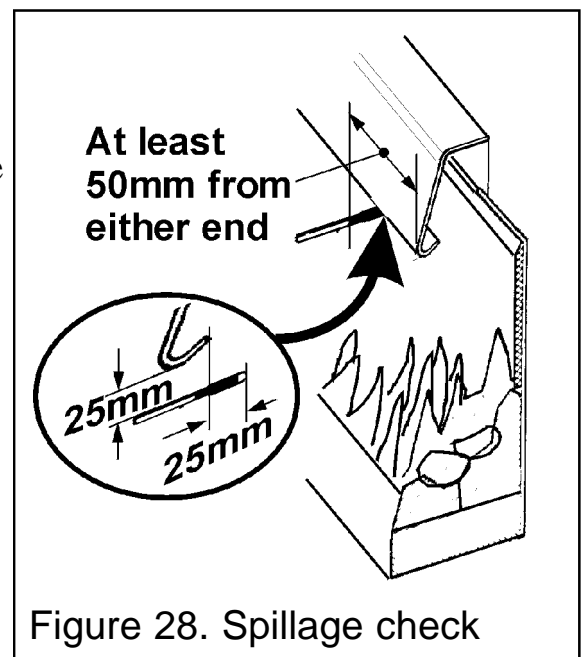
INSTALLER GUIDE

14. SPILLAGE & FLAME SUPERVISION CHECKS

14.1 Check for Spillage

A spillage check must be made before leaving the installed appliance with the customer. Make this with all the ceramic fuel effect pieces and lower firefront surround in position.

1. Close all doors and windows in the room containing the appliance.
2. Light the appliance and turn the control knob to “HIGH”.
3. Leave the appliance on for five minutes.
4. Place the smoke match into the appliance canopy. See figure 28.
5. The installation is satisfactory if the smoke is drawn into the appliance. If the smoke is not drawn into the appliance, leave the appliance alight at the maximum setting for a further ten minutes and then repeat the test. If smoke is still not drawn into the appliance, inspect the sealing to the fireplace surround. If the sealing is satisfactory but the appliance is installed with the flue restrictor (see section 8.4), remove the restrictor, reseal the appliance and retest. If smoke is still not drawn into the appliance, **disconnect the appliance and seek expert advice.**
6. If the above test is satisfactory, open all internal connecting doors, hatches, etc., in the room. Keep all doors and windows that open to the outside of the building closed. Recheck for spillage as above. If an extractor fan is installed in the same room as the appliance or a connecting room, check that spillage does not occur with the fan operating and all doors and other openings between the fan and the appliance open. If the smoke is drawn into the appliance, continue with the installation. If the test is not satisfactory, **disconnect the appliance and advise the customer of the cause of failure.**



14.2 Flame Supervision & Spillage Monitoring System

The pilot unit incorporates a system that will automatically shut off the gas supply if the pilot flame goes out or if there is insufficient oxygen due to spillage or lack of ventilation.

Check that the system operates properly as follows;

- Light the appliance. Set at the “HIGH” position and leave for one minute.
- Turn back to “OFF” to extinguish the pilot. **Note the time when the pilot goes out.** Listen for a snap sound at the gas tap. **Note the time when the sound is heard.** This

INSTALLER GUIDE

sound is caused by an electromagnetic valve shutting off the gas supply through the tap. The valve is located in the body of the tap. The valve should operate **within 60 seconds of the pilot going out**. If the valve does not operate within this time limit do not allow the appliance to be used until the fault has been corrected.

This monitoring system must not be adjusted, bypassed or put out of operation. This monitoring system, or any of its parts, must only be exchanged using Baxi fires division authorised parts.

15. FINAL REVIEW

1. Visually inspect the appliance. Clean off any marks incurred during installation.

Metal Parts

- Clean the metal parts with a slightly damp lint free non-abrasive cloth and then dry.
- Do not use abrasive cleaners as these will scratch the fire surface.
- **Front surround** -Clean the metal parts with a slightly damp cloth and then dry. If this does not work apply a very small amount of 'baby oil' to a lint free non-abrasive cloth and wipe over the surface. Use a clean cloth to wipe off the oil.

2. Advise the customer how to operate the fire.

3. Explain to the customer that the appliance has a flame failure and spillage monitoring system. Point out the explanation of this system shown in the owner's guide.

Advise that if the fire goes out for any reason, wait at least three minutes before relighting. Stress that if the monitoring system repeatedly shuts off the fire, the appliance should be switched off and a specialist should be consulted. Point out that the lighting instruction details are on a metal plate attached at the bottom of the appliance.

4. Advise that the fire may give off a slight odour while new. This is quite normal and it will disappear after a short period of use.

5. Advise that any cleaning must only be carried out when the fire is off and cold.

6. Advise the customer that they should read the Owner's guide before operating the fire and always follow the advice in the section headed "Cleaning your fire".

7. Advise the customer that the appliance will operate to its maximum potential if the flue is primed during the first 20 – 30 minutes of use. To do this, simply turn the control to its highest setting. This will also burn off any carbon deposits that may have formed during previous use.

If using the appliance for long periods it is beneficial to change between settings. This will also help to remove any carbon deposits that may form during use.

8. Recommend that the appliance should be serviced and the chimney inspected by a competent person (In the UK a CORGI registered person) at least annually.

If the appliance is in premises in the United Kingdom occupied by a tenant, point out that by law a landlord must have any gas appliance, flue and pipework which is situated in a tenant's premises checked for safety at least every 12 months.

9. Advise the customer that the front surround, firebox and ceramic pieces can be

INSTALLER GUIDE

cleaned as described in the user's instructions and that the loose ceramic fuel effect pieces must be replaced as described in those instructions.

Stress that no extra pebbles must be added over and above those supplied with the appliance and that any replacements must only be the authorised Baxi Fires Division spares. Warn that ignoring this advice could cause incomplete clearance of the products of combustion with consequent health hazards.

10. Inform the customer that the Serial number for the appliance is located on the metal plate, located behind the lower front casting and underneath the burner.

11. Hand the literature pack with this guide to the customer.

16. SERVICING & PARTS REPLACEMENT

Always turn off the gas supply before commencing any servicing (The appliance inlet "T" connector incorporates an isolating valve).

It is recommended that, at least once a year, the appliance is disconnected and the fireplace opening checked and cleared of any debris.

This product uses fuel effect pieces and a burner compartment rear wall containing Refractory Ceramic Fibres (RCF), which are man-made vitreous silicate fibres. Excessive exposure to these materials may cause irritation to eyes, skin and respiratory tract. Consequently, it is important to take care when handling these articles to ensure that the release of dust is kept to a minimum. To ensure that the release of fibres from these RCF articles is kept to a minimum, during installation and servicing we recommend that you use a HEPA filtered vacuum to remove any dust and soot accumulated in and around the fire before and after working on the fire. When replacing these articles we recommend that the replaced items are not broken up, but are sealed within a heavy duty polythene bag, clearly labelled as RCF waste. This is not classified as "hazardous waste" and may be disposed of at a tipping site licensed for the disposal of industrial waste. Protective clothing is not required when handling these articles, but we recommend you follow the normal hygiene rules of not smoking, eating or drinking in the work area and always wash your hands before eating or drinking.

- Check that the appliance is clean and that soot or debris is not blocking the gaps between the pebbles causing an imperfect flame.
- Check that soot or debris is not impairing the electrode spark or pilot burner.
- Check that soot or debris is not blocking any of the slots in the main burner.
- After servicing, make sure that the ceramic rear wall and pebbles are replaced correctly as described in the installation instructions.
- **Always test for gas soundness and spillage after servicing the appliance.**

INSTALLER GUIDE

16.1 Checking the aeration setting of the burner.

1. The aeration collar is factory set for use with a ‘pebble’ ceramic fuel effect. It is important to ensure that the aeration setting is correct for the ceramic fuel effect used. Check the aeration collar setting even if fitting the ‘pebble’ fuel effect. (See figure 29).
2. To adjust the aeration setting to suit the fuel effect used, loosen the two aeration shutter screws, slide the aeration shutter to the desired position and tighten the fixing screws.

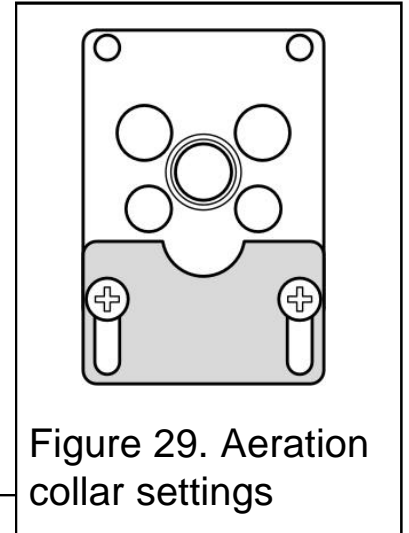


Figure 29. Aeration collar settings

16.2 To Remove the Burner Unit

1. Remove the lower firefront.
2. Remove the loose ceramic fuel effect pieces, the front ceramic fuel effect and the base ceramic fuel effect.
3. Support the inlet ‘T’ connector to avoid straining the pipework and disconnect the appliance from the ‘T’ connector.
4. Detach the burner unit from the hotbox by removing two screws –See figure 30.
5. Replace in the reverse order.

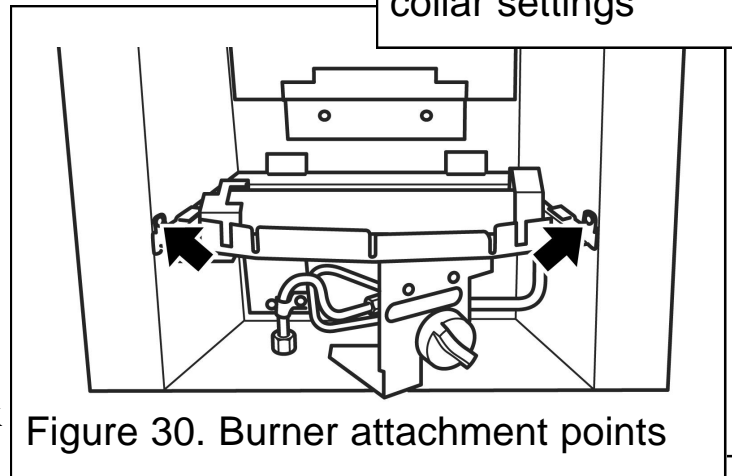


Figure 30. Burner attachment points

16.3 To Remove the Pilot Unit

1. Remove the burner unit - See section 16.2.
2. If lying the burner on its back, ensure that the worksurface is suitably protected This will avoid damage to the worksurface.
3. Detach the pilot pipe from the pilot unit.
4. Detach the thermocouple from the gas valve
5. Detach the electrode lead from the underside of the electrode tab.
6. Remove the two screws securing the pilot unit . See figure 31.
7. Refit in the reverse order.

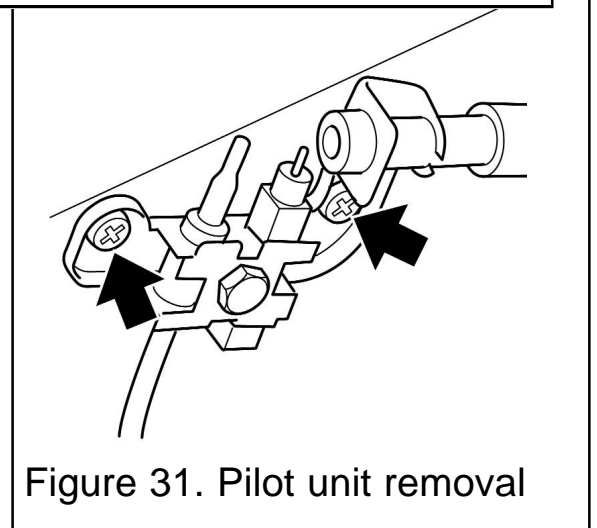


Figure 31. Pilot unit removal

Note:

1. The pilot unit is an atmosphere sensing device. It must be replaced as a whole assembly. Its individual components are not separately replaceable.

INSTALLER GUIDE

16.4 To Remove the gas valve

See figure 32.

1. Remove the burner unit - See section 16.2.

2. If lying the burner on its back, ensure that the worksurface is suitably protected. This will avoid damage to the worksurface. Turn the burner unit upside down. Detach the thermocouple from the tap

3. Detach the pilot pipe from the tap.

4. Detach the inlet pipe.

5. Detach the injector pipe

6. Detach the electrode lead

from the base of the electrode

7. Remove the control knob by pulling forward.

8. Remove the thermocouple by unscrewing the thermocouple nut at the gas valve.

9. Remove the hexagonal nut securing the gas valve to the mounting bracket.

10. Remove the gas valve

11. Refit in the reverse order.

16.5 To Replace the Burner

See figure 33.

1. Remove the burner unit - See section 16.2.

2. Support the elbow injector and unscrew the injector nut.

3. Remove the two screws from the burner clamping plate (See figure 33)

4. Lift the right hand side of the burner, slide it to the right and lift clear

5. Refit in reverse order.

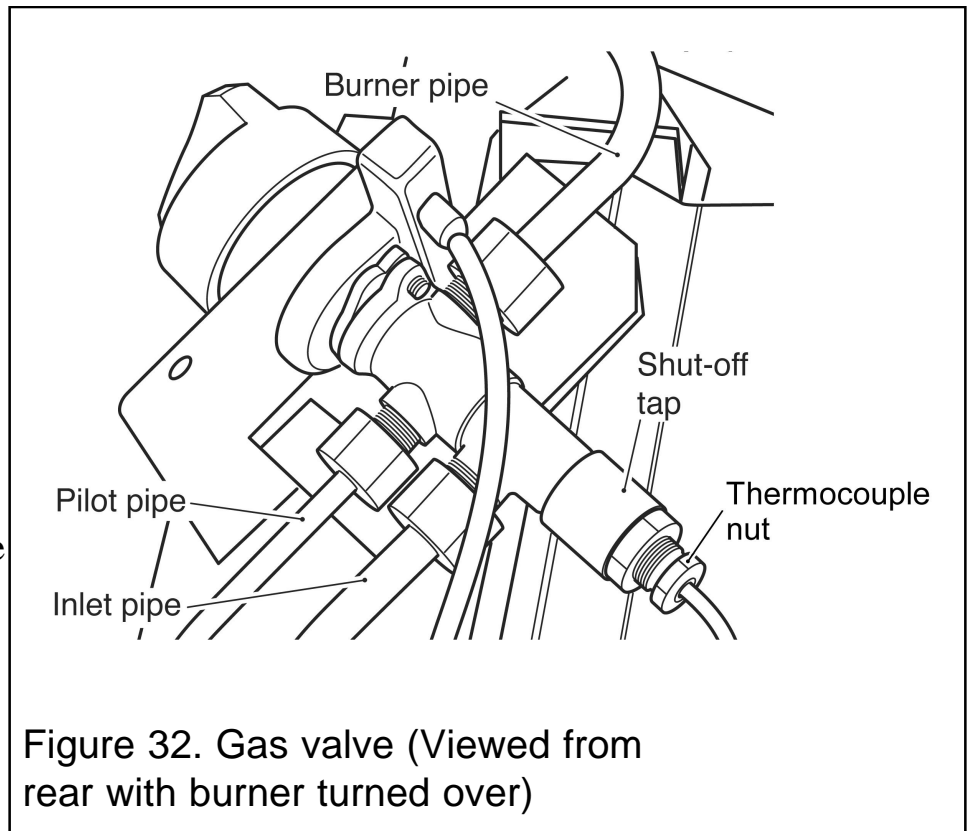


Figure 32. Gas valve (Viewed from rear with burner turned over)

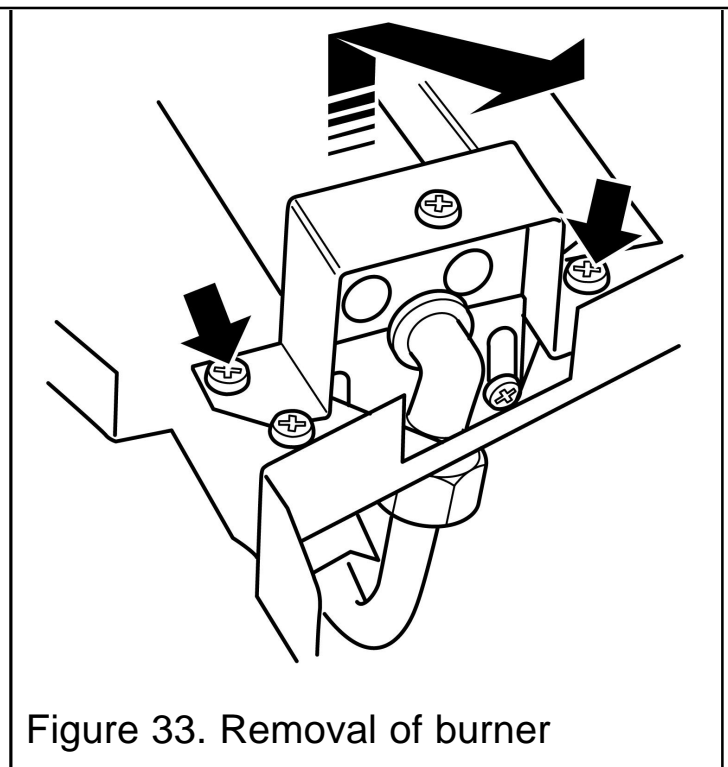


Figure 33. Removal of burner

INSTALLER GUIDE

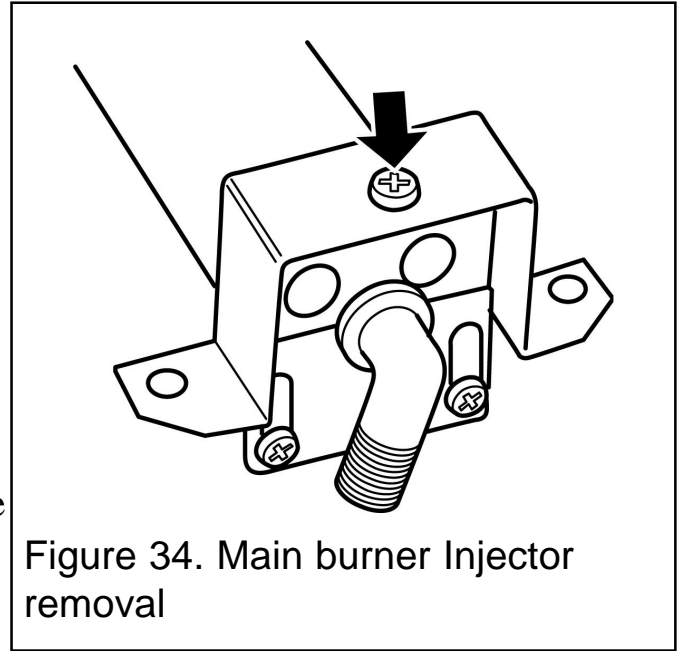
16.6 To Remove the Main Burner Injector

See figure 34.

1. Remove the burner - See section 16.5.
2. Remove the burner clamping screw (See figure 34)
3. Unscrew the injector from the burner
4. Refit in the reverse order.

16.7 To Remove the Appliance from the Fireplace

1. Remove the burner unit - See section 16.2.
2. Slacken the hexagonal adjusters on the cable retainers and unscrew the thumbscrews to release the cables (See section 9.1 of installation instructions).
3. Refit as described in the relevant installation sections. Make sure gas soundness, sealing, spillage test and performance are satisfactory.



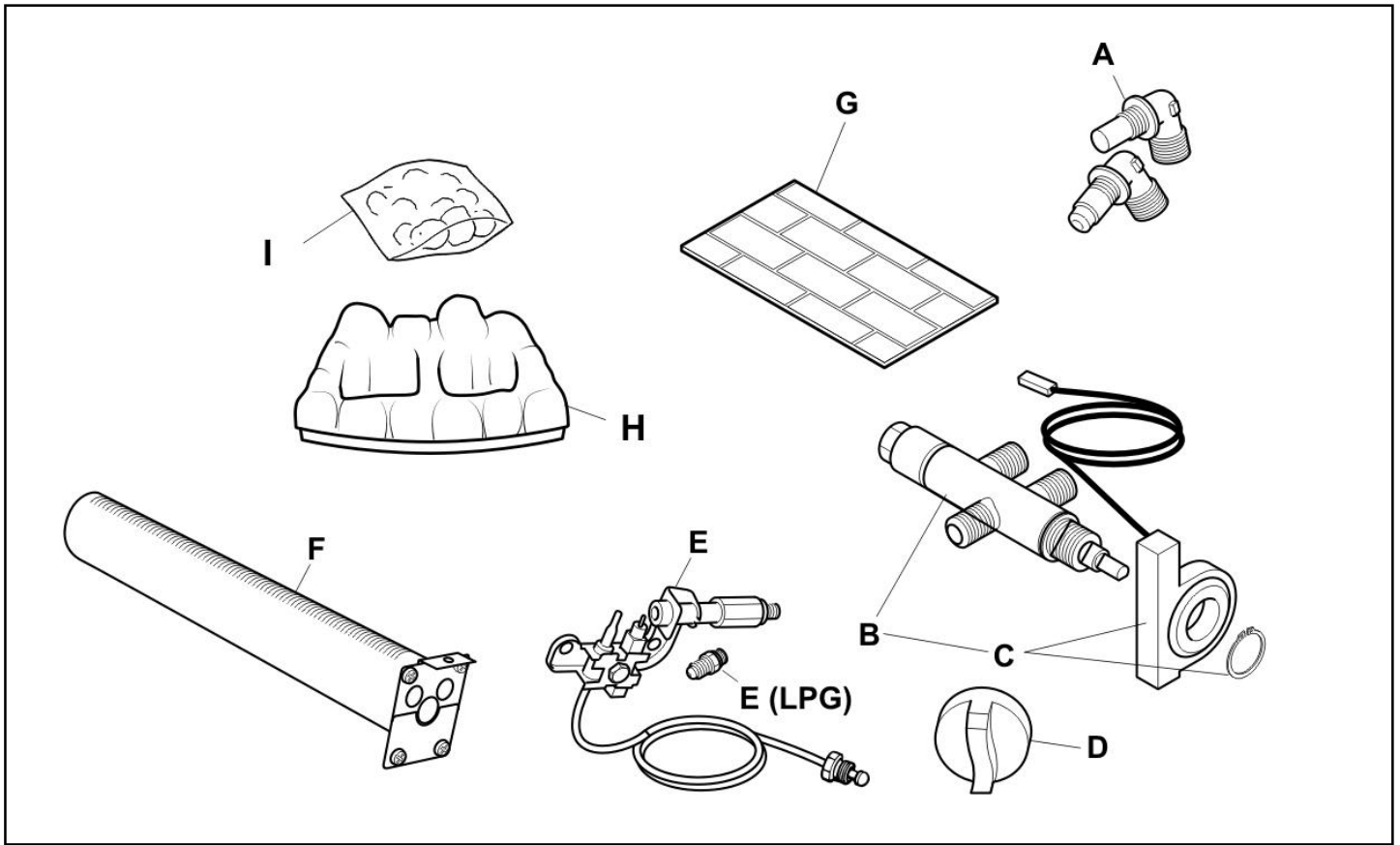
16.8 To Remove the Fire Front Surround

Important :Before removing the firefront surround check to see if the foam seal covers the flange on the rear of the surround. If it does then ensure that a replacement foam seal is available.

1. Remove the appliance from the fireplace - See section 16.7
2. If the foam seal covers the flange on the rear of the firefront surround remove the foam seal from the rear of the hotbox.
3. Carefully lift off the top surround section and place carefully aside. Carefully remove the two side sections and place carefully aside.
4. Refit in the reverse order (See section 8.2 'Fitting the front surround')
5. If the foam seal was removed previously fit the replacement foam seal (See as in section 8.3).
6. Refit the hotbox as described in the relevant installation sections. Make sure gas soundness, sealing, spillage test and performance are satisfactory.

INSTALLER GUIDE

17. SHORT LIST OF SPARES



KEY	DESCRIPTION	NO. OFF	PART NO.
A	Injector-Stereomatic Cat 82 - 069 <i>For Natural Gas Appliances</i>	1	5108137
	Injector-Stereomatic Size 128 and carrier <i>For Propane Gas Appliances</i>		5108996
B	Gas tap & spark generator	1	3002983
C	Spark generator and circlip	1	5108923
D	Control knob	1	0545979
E	Pilot unit <i>For Natural Gas Appliances</i>	1	3002988
	Pilot injector (RBM 180 - 02) <i>For Propane Appliances</i>		5108552
F	Burner - <i>For Natural Gas Appliances</i>	1	5108621
	Burner - <i>For Propane Gas Appliances</i>		5109353
G	Ceramic rear wall	1	0579139
H	Base pebble	1	5110028
I	Pack of loose Pebbles	1	5110029