



Part 590839
ZERO CLEARANCE KIT
for Models 737UN, 737UP & 737BN

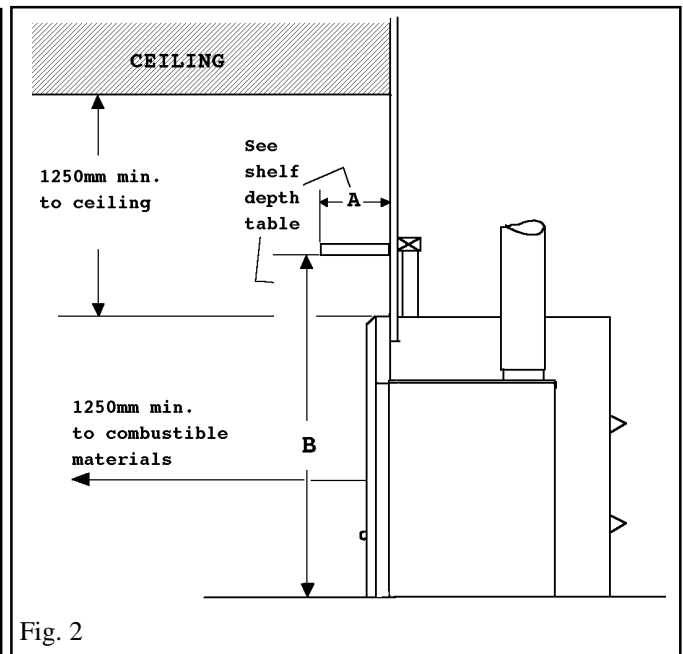
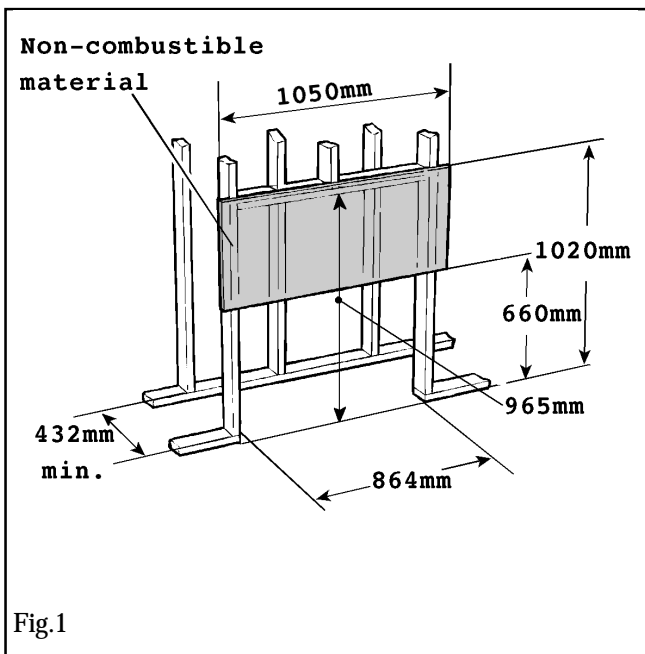
INSTALLATION INSTRUCTIONS

1. GENERAL

This kit must be used when installing heater Model 737UN, 737UP or 737BN into an enclosure constructed of combustible material. The heater must also be connected to an approved flue pipe. This kit has been designed to act as a fireplace opening for installation during the construction of the appliance enclosure. The heater is designed to be fitted into the opening after the walls and hearth have been finished.

2. FRAMING.

Minimum clearances to combustible materials and framing details are shown in fig.1,. Though not mandatory for this appliance, if the bottom of the appliance is at floor level, we recommend that there is a hard surfaced hearth area in front of the fireplace for both aesthetic and maintenance purposes. This may be finished in brick, ceramic tile, marble, etc. **To enable the heater to be installed correctly the height of the finished floor surface in front of the appliance must be known before constructing the frame. The bottom of the zero clearance kit must be installed at the height of the finished floor surface.**

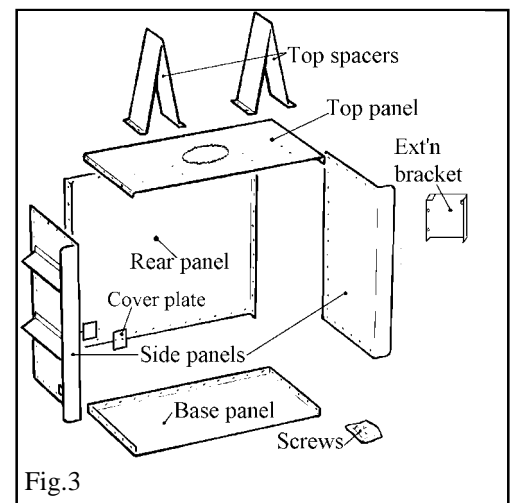


SHELF DEPTH "A"	25mm	50mm	75mm	100mm	125mm	150mm	175mm
HEIGHT FROM BASE OF HEATER "B"	960mm	1010mm	1040mm	1090mm	1140mm	1190mm	1240mm

3. KIT COMPONENTS

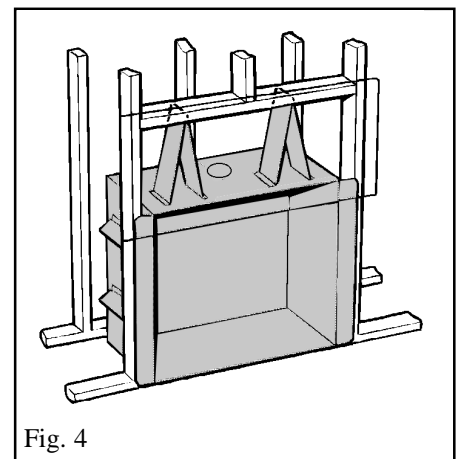
The kit contains the following (fig. 3):

- 1 top panel.
- 1 rear panel with spacers.
- 1 right side panel with spacers
- 1 left side panel with spacers.
- 1 base panel.
- 2 top panel spacers.
- 1 inlet opening cover plate.
- 1 extension bracket for thermostat coil.
- 1 screw pack.



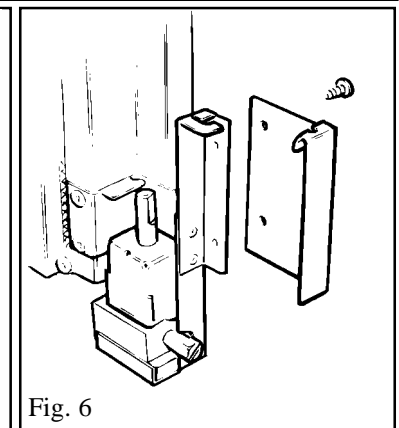
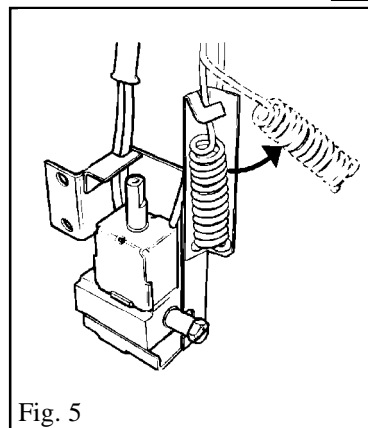
4. ASSEMBLE THE ZERO CLEARANCE KIT

- Assemble the rear, two sides, top and base panels, to form the zero clearance box, using the screws provided, (see fig. 3)
- Fit the top spacers to the top panel using the screws provided(fig. 3).
- Fit the inlet opening cover plate to the rectangular opening which will not be used for the gas inlet pipe.
- Secure the kit to the framing. Two fixing holes are provided in the base. Alternatively the side flanges may be drilled and countersunk woodscrews used.
- Fit the flue pipe through the hole in the top panel and secure to the appliance vent connector as described in the appliance instructions.
- All wall and hearth finishes can now be applied.



5. INSTALLING THE APPLIANCE

- Detach the thermostat coil from securing bracket at right side of appliance (see fig. 5).
- Fit the thermostat coil extension bracket to the end of the existing bracket with the two screws provided (fig. 6).
- Secure the thermostat coil to the tab at the top right of the extension bracket.
- The unit can now be installed exactly as in a masonry fireplace, see the appliance installation guide.



If the appliance does not have a thermostat coil bracket, work through the following steps

- Detach the thermostat coil from the securing clip at the right side of the appliance.
- Bend thermostat extension bracket along perforated line through 90° (see fig. 7).
- Fit the thermostat coil extension bracket to the two holes with the 2 screws provided. (see fig. 7).
- Secure the thermostat coil to the tab at the top right of the extension bracket.
- The unit can now be installed exactly as in a masonry fireplace, see the appliance installation guide.

