

# Wonderfire

## I N S T A L L E R G U I D E

for

**MODEL 530U**  
**(G.C. 32-032-21)**  
**PRESIDENT**  
**UNIVERSAL**



**FREE STANDING GAS STOVE**

with

**Balanced Flue\***

(with Logs or Coals)

**\*Open Flue Installations (Type B Appliances)**

If this appliance is intended to be installed to an open metal flue pipe (Type B appliance) instead of to a direct vent terminal (Type C appliance), **discard this manual.** Follow the installation and operating procedure in the manual supplied with the Open flue adapter kit No 9500388.

*Please keep in a safe place for future reference*

**Please leave this Installer Guide with the user**

As supplied, this appliance is for use with natural gas (G20)  
When converted using conversion kit no. 9500390 this appliance is for use with propane gas (G31)  
This appliance is for use in the United Kingdom (GB) and the Republic of Ireland (IE) only.

**C U S T O M E R C A R E**

This Installer Guide gives sufficient details to enable the appliance to be installed and maintained. If further information is required, our Wonderfire service department will be pleased to help.

**Please phone us on 0121 386 6203.**

**In the Republic of Ireland call 353 183 75114.**

# C O N T E N T S

<b>1. OPTIONS</b> .....	<b>4</b>
1.1. Appliance styles .....	4
1.2. Additional optional features .....	4
1.3. LP Gas .....	4
1.4. Flue & Terminal options .....	4
<b>2. APPLIANCE DATA</b> .....	<b>5</b>
<b>3. GENERAL INSTALLATION REQUIREMENTS</b> .....	<b>6</b>
<b>4. LOCATION</b> .....	<b>7</b>
4.1. Terminal location .....	7
4.2. Wall & Floor Fixing .....	7
4.3. Flue system configurations .....	7
<b>5. PACK CONTENTS</b> .....	<b>11</b>
<b>6. APPLIANCE PREPARATION</b> .....	<b>12</b>
6.1 Detach the window.....	12
6.2 Check ignition spark .....	12
6.3 Check flame control motor .....	12
6.4 Top Flue Outlet Positioning.....	13
6.5 Rear Flue Outlet Preparation .....	13
6.6 Attaching Wall Spacers.....	13
6.7 Attaching Air Restrictors – Appliances with Vertical Flue Rise Only .....	14
6.8 Attaching top air deflector .....	14
6.9 Appliance Wall or Floor Fixing .....	14
<b>7. FLUE INSTALLATION</b> .....	<b>15</b>
7.1 Installations except Flat on Wall with Wonderfire Flue Terminal 9500389 – Flue Pipe Fitting.....	15
7.2 Flat On Wall Installations With Wonderfire Flue Terminal 9500389 – Terminal Preparation .....	15
7.3 Preparing the wall.....	16
7.4 Securing appliance in place.....	16
<b>8. FITTING SIDES &amp; SWITCH</b> .....	<b>17</b>
<b>9. GAS SUPPLY INSTALLATION</b> .....	<b>18</b>
<b>10. CERAMIC FUEL BED INSTALLATION</b> .....	<b>19</b>
10.1. Ceramic Walls Installation .....	19
10.2. Ceramic Logs Installation.....	20
10.3. Ceramic coals Installation .....	21
<b>11. WINDOW REFITTING &amp; CHECKING</b> .....	<b>22</b>
<b>12. FULL OPERATING CHECKS</b> .....	<b>23</b>
12.1 Control operation check .....	23
12.2 Check the reference pressure .....	23
<b>13. INSTALLATION COMPLETION</b> .....	<b>24</b>
<b>14. FINAL REVIEW</b> .....	<b>25</b>
<b>15. SERVICING</b> .....	<b>25</b>

# 1. OPTIONS

Heater engine unit 9500384 is used with all installations.

## 1.1. Appliance styles

The free standing stove case is available in the following alternative finishes:

Black textured - **Kit No 9500385.**

Black enamelled – **Kit No.9500386.**

Green enamelled – **Kit No. 9500387.**

***One of the above kits must be used with each installation.***

## 1.2. Additional optional features

**Remote control unit** Hand operated control for flame & heat adjustment. It may be fitted before the stove is installed or retrofitted at a later date - **Kit No. 9500397.**

## 1.3. LP Gas

**LPG Conversion kit** Burner & injector kit for conversion from natural gas to propane – **Kit No. 9500390.**

## 1.4. Flue & Terminal options

### 1.4.1. Balanced flue installations (Type C appliance)

One or more of the accessories listed below must be used for each installation. See the “Location” section of this manual.

Kit No

9500389	Wonderfire flue terminal kit for non-combustible wall thickness up to 66cm (26in)
9940088	Terminal Guard for Wonderfire flue terminal
817VAK	Adapter for Dura-vent flue pipes
984	Dura-vent DV GS horizontal square flue terminal with integral guard
945B	45° Dura-vent DV GS elbow
990B	90° Dura-vent DV GS elbow
908B	6” Dura-vent DV GS pipe length
906B	12” Dura-vent DV GS pipe length
904B	24” Dura-vent DV GS pipe length
903B	36” Dura-vent DV GS pipe length
902B	48” Dura-vent DV GS pipe length
911B	Adjustable 11”-14 <sup>5</sup> / <sub>8</sub> ” Dura-vent DV GS pipe length
940	Decorative wall thimble cover for use with Dura-vent flue terminal
963	Ceiling firestop

### 1.4.2. Open flue installations

**Kit No. 9500388** converts this appliance from a balanced flue stove to an open flued stove for use with a 100mm (4in) metal flue pipe. A full installation manual is supplied with the kit.

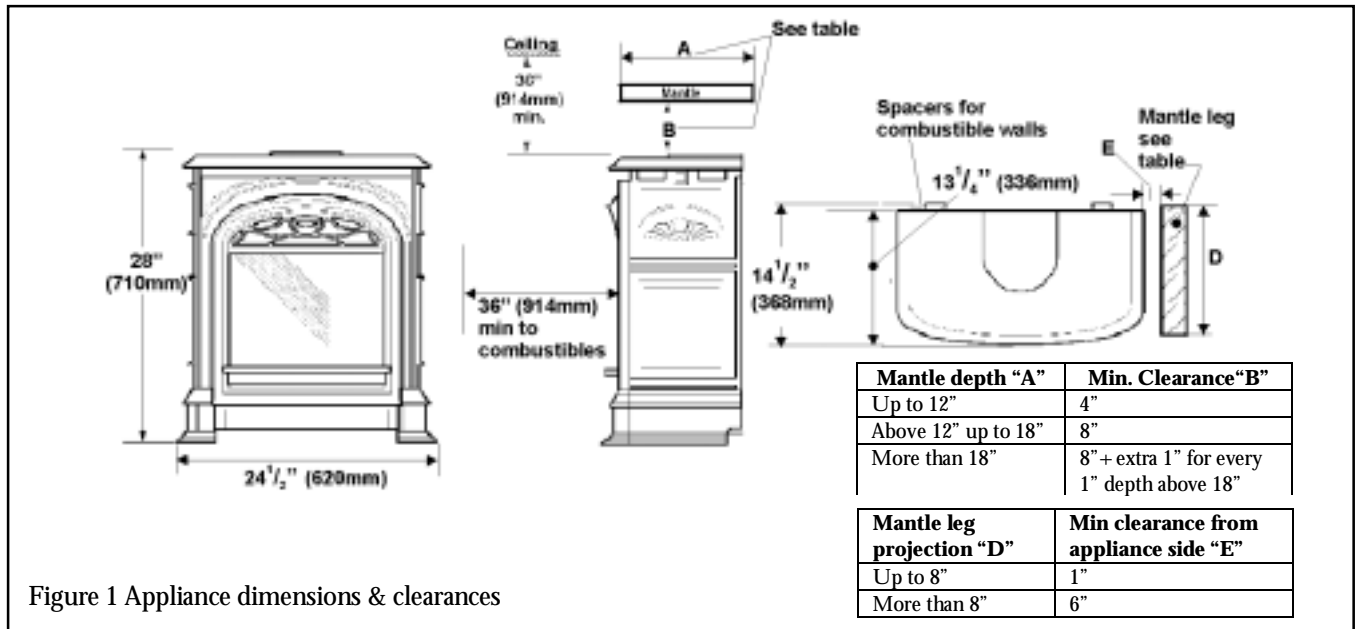
## 2. APPLIANCE DATA

This product uses fuel effect pieces, burner compartment walls and gaskets containing Refractory Ceramic Fibres (RCF), which are man-made vitreous silicate fibres. Excessive exposure to these materials may cause temporary irritation to eyes, skin and respiratory tract. Consequently, it makes sense to take care when handling these articles to ensure that the release of dust is kept to a minimum. To ensure that the release of fibres from these RCF articles is kept to a minimum, during installation and servicing we recommend that you use a HEPA filtered vacuum to remove any dust and soot accumulated in and around the fire before and after working on the fire. When replacing these articles we recommend that the replaced items are not broken up, but are sealed within a heavy duty polythene bag, clearly labelled as RCF waste. This is not classified as “hazardous waste” and may be disposed of at a tipping site licensed for the disposal of industrial waste. Protective clothing is not required when handling these articles, but we recommend you follow the normal hygiene rules of not smoking, eating or drinking in the work area and always wash your hands before eating or drinking.

This appliance does not contain any component manufactured from asbestos or asbestos related products.

	Nat Gas G20	Propane G31 *
Supply pressure	20mbar	37mbar
Input - Max. (Gross)	6.12kW	5.70kW
Input - Min. (Gross)	1.90kW	3.51kW
Test pressure (Cold)	9.2±0.75mbar (3.7±0.3in w.g.)	26.2±0.75mbar (10.5±0.3in w.g.)
Burner injector	Bray cat. 82 size 580	Bray cat. 92 size 200
Appliance category	II <sub>2</sub> H3P	
Efficiency class	2	

\*When converted using kit no. 9500390



### 3. GENERAL INSTALLATION REQUIREMENTS

**3.1** The installation must be in accordance with these instructions.

For the user's protection, in the United Kingdom it is the law that all gas appliances are installed by competent persons in accordance with the current edition of the Gas Safety (Installation and Use) Regulations. Failure to install the appliance correctly could lead to prosecution. The Council for the Registration of Gas Installers (CORGI) requires its members to work to recognised standards.

In the United Kingdom the installation must also be in accordance with:

- a) All the relevant parts of local regulations.
- b) The current edition of the Building Regulations issued by the Department of the Environment and the Welsh Office or the Building Standards (Scotland) Regulations issued by the Scottish Development Department.
- c) All relevant codes of practice.
- d) The relevant parts of the current editions of the following British Standards:-
  - BS 5440 Part 1
  - BS 5482 Part 1
  - BS 5871 Part 1
  - BS 6891

In the Republic of Ireland the installation must also conform to the relevant parts of:

- a) The current editions of:-
  - IS 813
- b) All relevant national and local rules in force.

**3.2** Before installation, ensure that the local distribution conditions (identification of the type of gas and pressure) and the adjustment of the appliance are compatible.

**3.3** Note that soft wall coverings (e.g. embossed vinyl, etc.) are easily affected by heat. They may scorch or become discoloured when close to a heating appliance. Please bear this in mind when installing.

**3.4** Minimum clearances to combustible surfaces are shown in figure 1.

**3.5** A hole 178mm (7in) diameter is required through the wall for the flue unit.

**3.6** Propane gas appliances must not be installed in a cellar, basement or any room which is built entirely below ground level (See BS5482 Part 1).

**3.7** Minimum allowable distances from the terminal are shown table 1 and figure 2.

**3.8** No special ventilation bricks or vents into the room containing the appliance are required.

**3.9** The top castings, front castings above the access door and the glass window are working surfaces. They become hot in use and should not be touched until the stove is switched off and allowed to cool.

## 4. LOCATION

### 4.1. Terminal location

Minimum allowable distances from the terminal are shown in the table below and figure 2.

	Terminal Position	Minimum Distance (mm)
A	Directly below an openable window or other opening e.g. air brick	300
B	Below gutters, soil pipes or drain pipes	300
C	Below eaves	300
D	Below balconies or car port roof	600
E	From vertical drain pipes and soil pipes	75
F	From internal or external corners	600
G	Above ground, roof or balcony level	300
H	From a surface facing a terminal	600
I	From a terminal facing a terminal	600
J	From an opening in a car port (e.g. door, window) into dwelling	1200
K	Vertically from a terminal on the same wall	1500
L	Horizontally from a terminal on the same wall	300

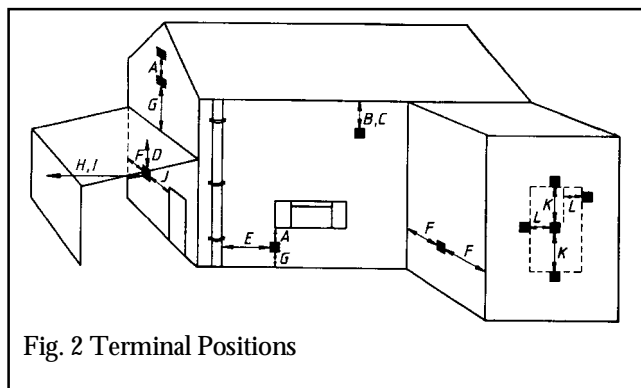


Fig. 2 Terminal Positions

In England and Wales the Building Regulations require a terminal guard to be fitted if the terminal could come into contact with people near the building or be subject to damage.

Fitting a terminal guard is recommended where contact with or damage to the terminal is possible even if regulations do not demand it.

The Dura-vent terminal (Kit 984) is constructed with an integral guard.

Terminal guard no. 9940088 is suitable for use with the Wonderfire terminal kit 9500389.

### 4.2. Wall & Floor Fixing

This appliance can be installed against a wall or in the room away from walls. The appliance is designed to be fixed to the floor. The appliance can additionally or alternatively be fixed to a rear wall. The fixing positions are shown in figure 3.

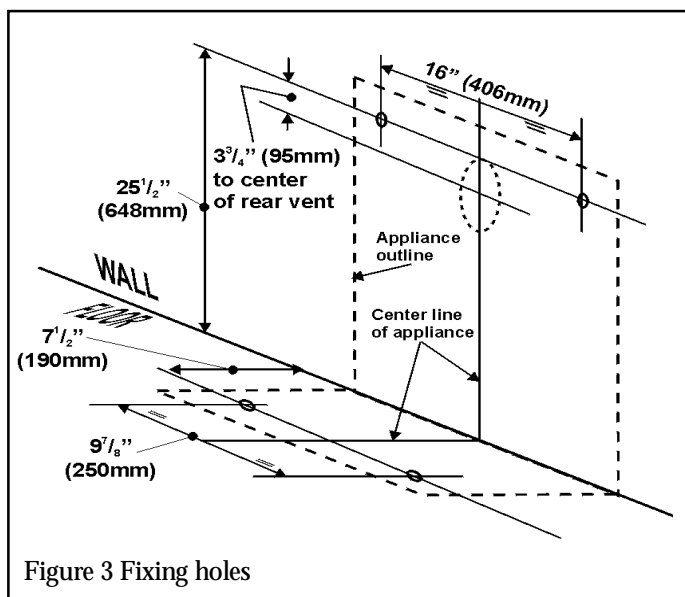


Figure 3 Fixing holes

### 4.3. Flue system configurations

#### 4.3.1. Flat on wall

Requires Wonderfire flue terminal kit 9500389 or Dura-vent pipe length with adapter 817VAK and Dura-vent terminal 984.

The location requirements are shown in figure 4.

*The horizontal vent run can not be extended beyond the dimensions shown in figure 4 by the use of any extra accessory pipes.*

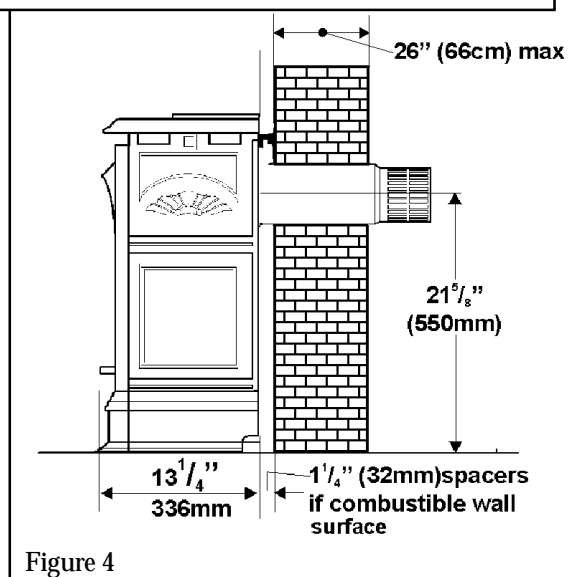


Figure 4

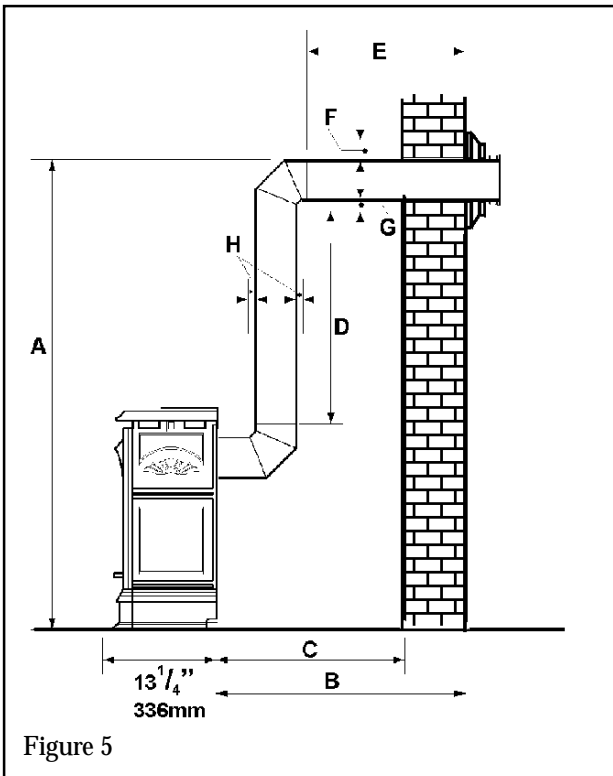


Figure 5

### 4.3.2. Rear flue pipe connection, vertical rise (Fig. 5)

For use with no.984 Dura-vent terminal cap and accessories. Adapter no.817VAK, two 90° Dura-vent elbows no.990B and Dura-vent pipe lengths will be required. (See options section of this manual).

*No more than two 90° elbows must be used.*

The location requirements are (See figure 5):-

	Minimum	Maximum
<b>A:</b> From floor to top of flue pipe	3ft 7in (109cm)	10ft 7in (323cm)
<b>B:</b> Back of appliance to outside wall	-	5ft 5in (165cm)
<b>C:</b> Back of appliance to inside wall	14 <sup>1</sup> / <sub>8</sub> in (36cm)	-
<b>D:</b> Vertical pipe run	12in (30cm)	8ft (244cm)
<b>E:</b> Horizontal pipe run (Total before and after elbows)	-	4ft 6in (137cm)
<b>F:</b> Clearance to combustible materials above horizontal pipe run	2 <sup>5</sup> / <sub>8</sub> in (6.7cm)	-
<b>G:</b> Clearance to combustible materials below horizontal pipe run	1 <sup>5</sup> / <sub>16</sub> in (3.3cm)	-
<b>H:</b> Clearance to combustible materials all round vertical pipe run and at sides of horizontal pipe run	1 <sup>5</sup> / <sub>16</sub> in (3.3cm)	-

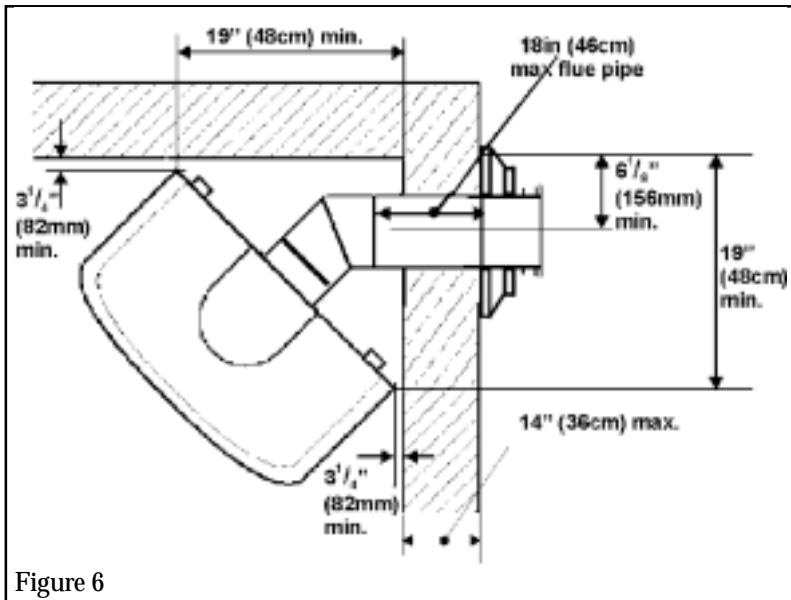


Figure 6

### 4.3.3. Corner location, horizontal flue pipe run only (Fig.6)

For use with no.984 Dura-vent terminal cap and accessories. Adapter no.817VAK and 45° Dura-vent elbow no.945B will be required. (See options section of this manual).

*Be aware of the limited maximum vent pipe length and wall depth for this type of installation - See figure 6.*



**4.3.4. Corner location, rear flue pipe connection, vertical rise, horizontal termination (Figs 5 & 7)**

For use with no.984 Dura-vent terminal cap and accessories.

Adapter no.817VAK, two 90° Dura-vent elbows no.990B and Dura-vent pipe lengths will be required.

(See options section of this manual).

*No more than two 90° elbows must be used.*

All vertical dimensional limits are as section 4.3.2.

The minimum corner location is shown in fig. 7.

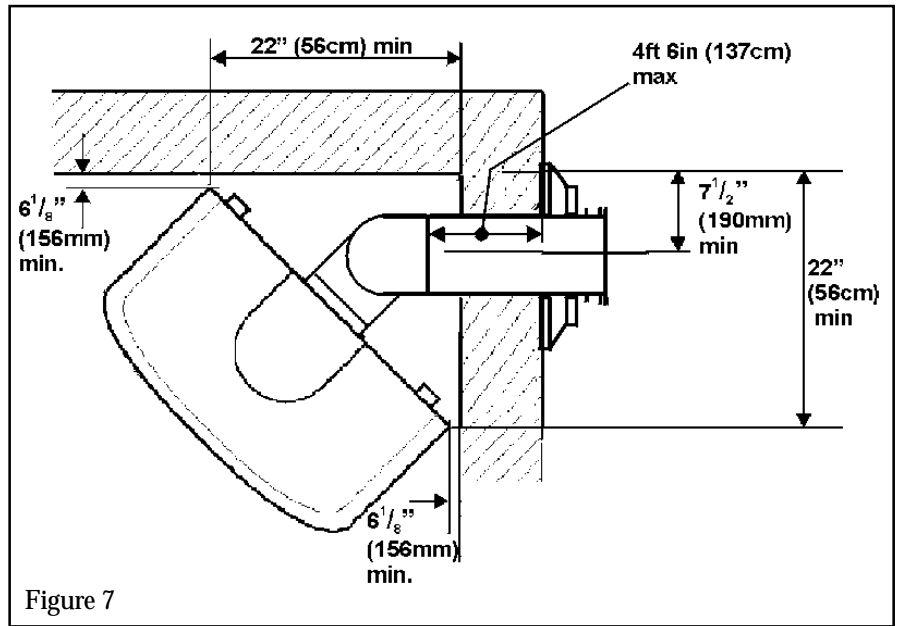


Figure 7

**4.3.5. Top flue pipe connection, vertical rise with horizontal rear termination (Fig.8)**

For use with no.984 Dura-vent terminal cap and accessories.

Adapter no.817VAK, one 90° Dura-vent elbow no.990B and Dura-vent pipe lengths will be required.

(See options section of this manual).

The location requirements are (See figure 8):-

	Minimum	Maximum
<b>A:</b> From floor to top of flue pipe	4ft (122cm)	11ft (335cm)
<b>B:</b> Back of appliance to inside wall	3 1/4 in (79mm)	-
<b>C:</b> Vertical pipe run	9in (23cm)	8ft (244cm)
<b>D:</b> Horizontal pipe run	-	4ft 6in (137cm)
<b>E:</b> Clearance to combustible materials above horizontal pipe run	2 5/8 in (6.7cm)	-
<b>F:</b> Clearance to combustible materials below horizontal pipe run	1 5/16 in (3.3cm)	-
<b>G:</b> Clearance to combustible materials all round vertical pipe run and at sides of horizontal pipe run	1 5/16 in (3.3cm)	-

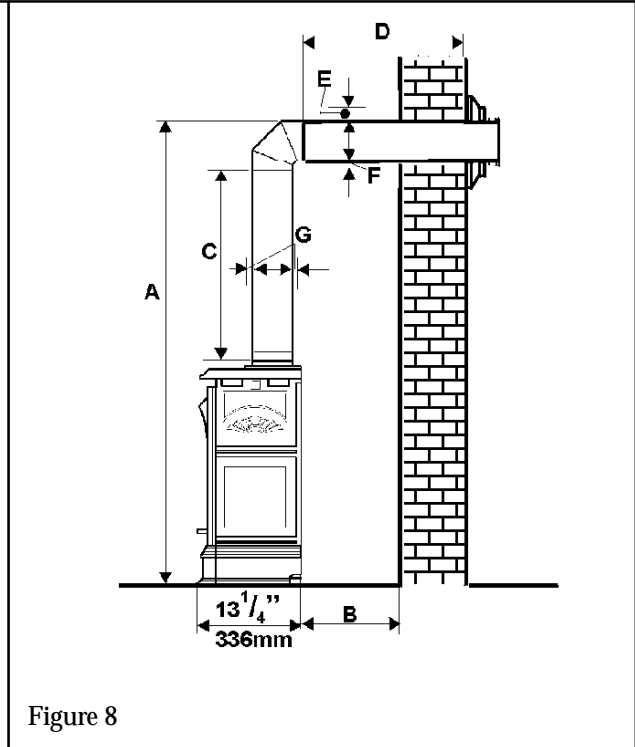


Figure 8

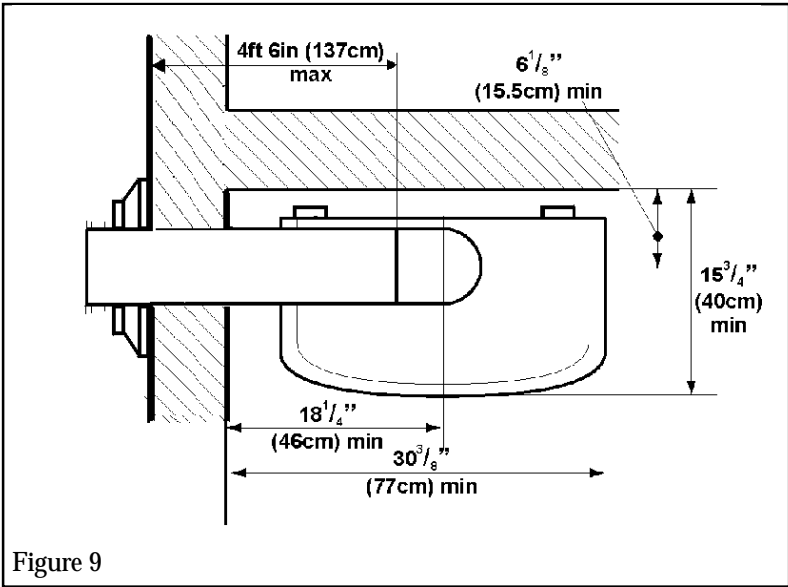


Figure 9

**4.3.6. Top flue pipe connection, vertical rise with horizontal side termination (Figs.8 &9)**

For use with no.984 Dura-vent terminal cap and accessories.

Adapter no.817VAK, one 90° Dura-vent elbow no.990B and Dura-vent pipe lengths will be required.

(See options section of this manual).

All vertical dimension, pipe run and clearance limits are as section 4.3.5.

The minimum floor location is shown in figure 9.

**4.3.7. Top flue pipe connection, corner location, vertical rise, straight horizontal termination (Figs 8 & 10)**

For use with no.984 Dura-vent terminal cap and accessories.

Adapter no.817VAK, one 90° Dura-vent elbow no.990B and Dura-vent pipe lengths will be required. (See options section of this manual).

All vertical dimensions and clearance limits are as section 4.3.5.

The minimum corner location is shown in fig. 10.

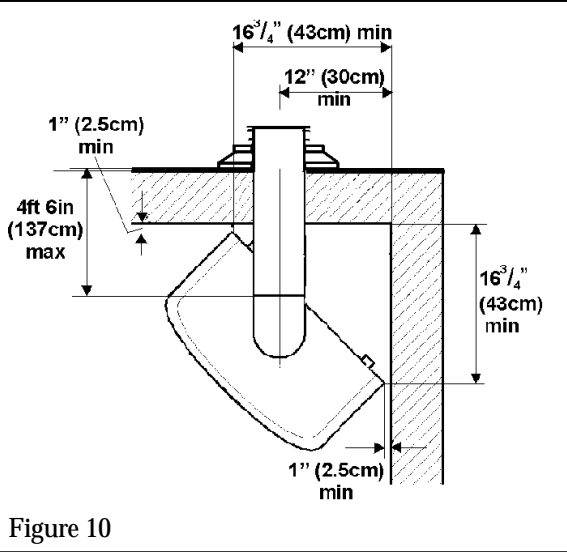


Figure 10

## 5. PACK CONTENTS

### **Engine unit No. 9500384** (For all appliances)

- 1 Appliance engine unit fitted with window
- 2 Restrictor plates type 1
- 2 Restrictor plates type 2
- 2 Restrictor plates type 4
- 2 Restrictor plates type 5
- 1 Port cover
- 2 Wall spacer brackets
- 1 Firebox ceramic rear wall
- 2 Firebox ceramic side walls
- 5 Ceramic fuel effects (Logs or coals)
- 1 Switch unit
- 2 Switch lead clips
- 4 1.5V AA batteries
- 4 Wood screws
- 4 Wall plugs
- 2 Thread cutting screws

### **Free standing stove case**

#### Top pack

- 1 Top casting
- 1 Top infill plate

#### Sides pack

- 1 Front casting unit
- 2 Side casting units
- 1 Top air deflector
- 1 Switch mounting bracket
- 2 Self cutting screws
- 4 Machine screws
- 4 Washers

### **Wonderfire flue terminal kit No. 9500389** (Alternative to Dura-vent unit)

- 1 Vent pipe & terminal unit
- 1 Polystyrene cutting support ring
- 1 Strip of flue sealing tape

### **Remote control unit No. 9500397** (Additional option)

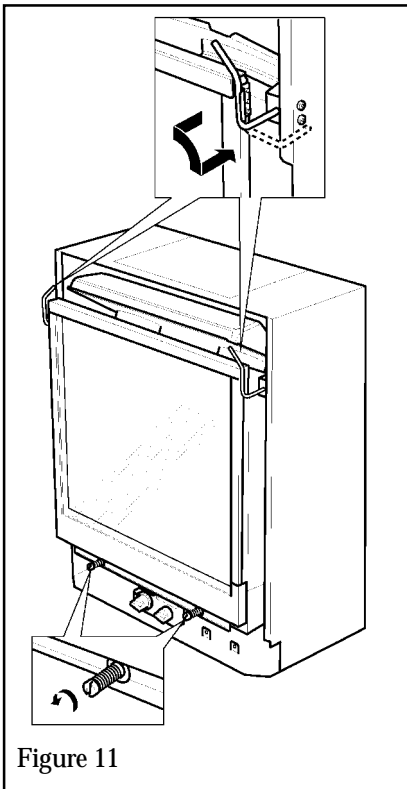
- 1 Receiver unit
- 1 Remote control hand unit
- 1 9V Battery

### **LPG conversion kit No. 9500390**

Details are with the kit.

Take care when removing the contents from the packaging to prevent damage. Check that all the contents are in the packs and are undamaged.

## 6. APPLIANCE PREPARATION



### 6.1. Detach the window

1. Release the top of the window by pulling forward and rotating outwards the two bars at the top corners. See figure 11.
2. Unscrew the two spring loaded bolts securing the bottom of the window. See figure 11.
3. Carefully lift the window. Keep the window and bolts in a safe place.

### 6.2. Check ignition spark

The pilot burner and electrode unit is at the left end of the burner. Push in the lighting knob and turn anticlockwise through the "IGN" position to "PILOT". A spark should flash across from the pilot electrode to the pilot burner shield. See figure 12.

### 6.3. Check flame control motor

1. Fit the four batteries into the battery box (Which is attached to the switch leads).
2. Temporarily connect the **black** connector pad to the control unit - See figure 13.
3. Operate the switch. This should cause the flame control knob to rotate anticlockwise. See figure 13.
4. Disconnect and remove after checking.

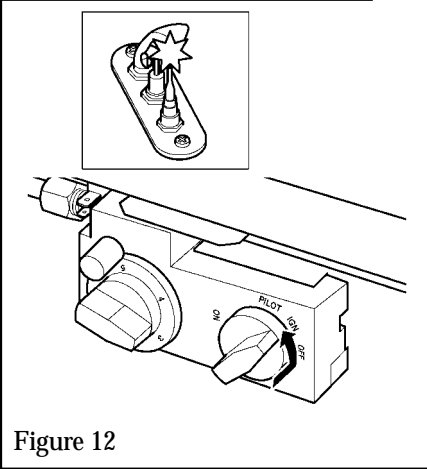


Figure 12

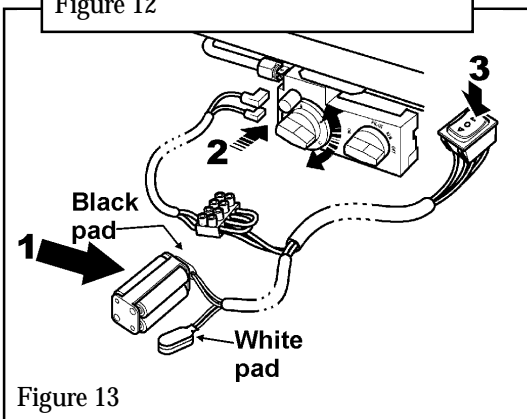


Figure 13

## 6.4. Top Flue Outlet Positioning

*If installing with rear flue outlet go to next step.*

1. Remove the top plate and seal by unscrewing 12 screws. (See figure 14). Keep the seal, plate and screws for fitting to the back.
2. Remove the rear outer flue collar and seal by unscrewing 12 screws (See figure 14).
3. Remove the rear inner flue collar and seal by unscrewing 8 screws. (See figure 14).
4. To make sure that the collars are axially aligned, fit the Dura-vent adapter (Kit No. 817VAK) over the outer flue collar. See figure 15.
5. Position the inner collar and seal vertically inside the top of the appliance. Drop the outer collar with adapter over the inner collar to ensure alignment. Secure the inner collar with 8 screws and the outer collar with 12 screws. See figure 15.
6. Drill through the adapter outer tube and appliance outer collar for no.6 screws. *Make sure that the drill does not penetrate the inner tubes.*
7. Secure the adapter to the outer collar with two no.6 thread-cutting screws supplied
8. Fit the plate and seal (which was previously removed from the top) to the back of the appliance with 12 screws. See figure 15.

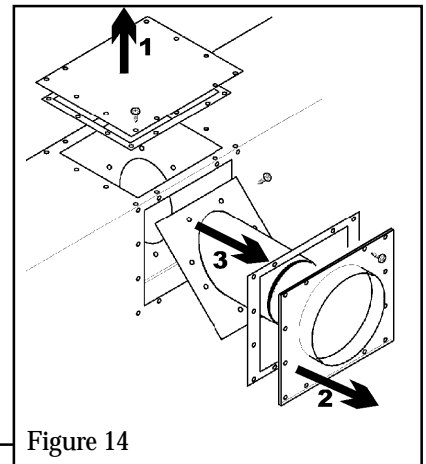


Figure 14

## 6.5. Rear Flue Outlet Preparation

*If installing flat on wall with Wonderfire terminal kit 9500389 ignore this step:*

1. Fit the Dura-vent adapter (Kit No. 817VAK) over the appliance flue collars pushing on firmly. Align the adapter so that the seam on horizontal Dura-vent pipes is not at the bottom – Check by temporarily fitting a Dura-vent pipe.
2. Drill through the adapter outer tube and appliance outer collar for no.6 screws. See figure 16. *Make sure that the drill does not penetrate the inner tubes.*
3. Secure the adapter to the outer collar with two no.6 thread cutting screws supplied (Fig. 16).
4. Seal the joint between the adapter and appliance outer collar with a suitable sealant or sealing tape.

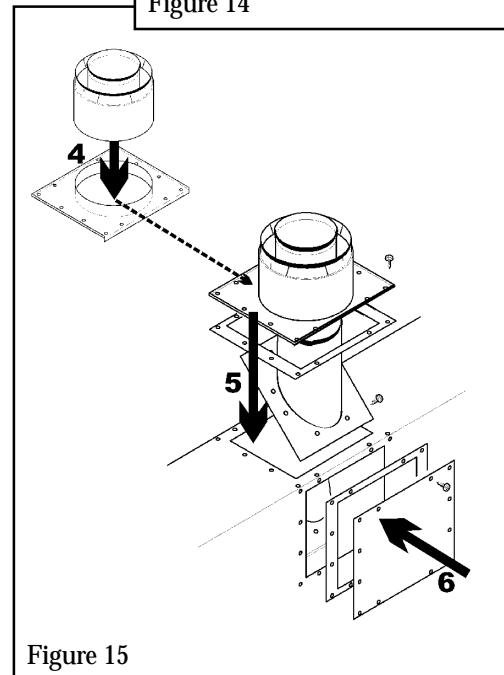


Figure 15

## 6.6. Attaching Wall Spacers

These spacers need not be fitted if the rear of the appliance is more than 32mm (1¼in) from any combustible material and if the installer can be absolutely certain that no combustible construction will be added at a future date – consult with the owner.  
**! Warning: Failure to install the wall spacers unless the above conditions can be assured may result in a fire hazard.**

1. Remove the two screws at each of the rear top corners of the appliance. See figure 17.
2. Fit the two wall spacers (Supplied with Engine unit) using the screws just removed. See figure 17.

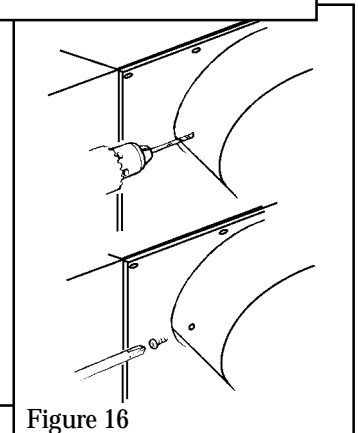


Figure 16

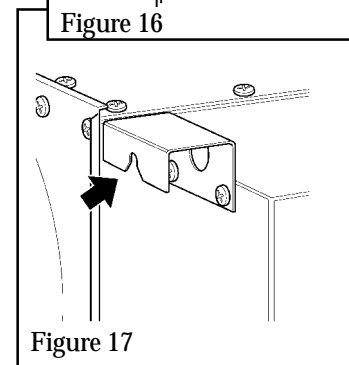
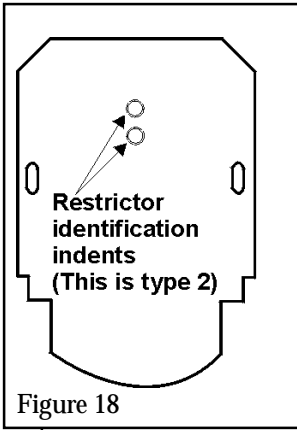


Figure 17



### 6.7. Attaching Air Restrictors – Appliances with Vertical Flue Rise Only

**No restrictors are required for appliances which only have a horizontal flue run.**

There are four types of restrictor supplied with the engine unit - Types 1, 2, 4 & 5. (Type 3 is not supplied since it is not used for Model 530U). They are slightly different in size. They can be identified by the number of indents – Type 1 has 1 indent, type 2 has 2 indents etc. See figure 18.

The restrictors cover part of the openings in the firebox rear wall ports – See figure 19. Each restrictor can be fitted at either maximum or minimum port opening – See figure 19.

**Types 1 & 2** are for use with ceramic **log** installations.

**Types 4 & 5** are for use with ceramic **coal** installations.

The correct restrictors to be fitted for each type of installation are shown in the table below.

To fit the restrictors, remove the centre screws from the rear ports and fit the restrictors using these screws. To set the restrictors at maximum port opening, slacken the bottom screws in the ports, slide the restrictors down as far as possible and tighten the screws over the restrictors.

To set the restrictors at minimum port opening, slide the restrictors up as far as possible and tighten the screws. With the largest restrictors, the upper screws may need to be slackened to allow the restrictors to go under the screw heads.

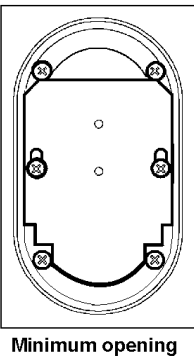
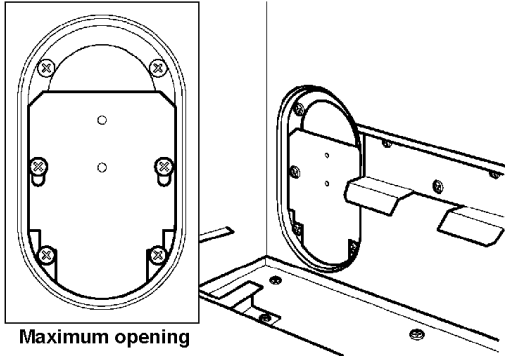
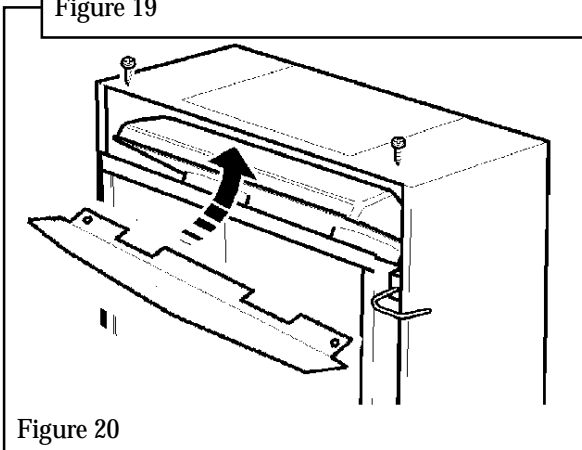


Figure 19

Vertical vent pipe run	Use restrictor type		Port opening set at
	For Logs	For Coals	
Less than 2ft (61cm)	1	4	Maximum
From 2ft (61cm) but less than 4ft (122cm)	1	4	Minimum
From 4ft (122cm) but less than 6ft (183cm)	2	5	Maximum
6ft (183cm) or more	2	5	Minimum

### 6.8. Attaching top air deflector

Fit the top air deflector under the top panel of the appliance case. Secure with two thread cutting screws. See figure 20.



### 6.9. Appliance Wall or Floor Fixing

The appliance can be secured to the wall and/or floor if required. The fixing positions are shown in figure 3. Holes should be drilled in the wall or floor and the holes plugged at this stage. Position the appliance accurately in its final location. Mark through the two fixing holes in the appliance base and/or the holes near the top corners at the back. Plug the holes if necessary. Don't fix the appliance at this stage. Wait until the flue pipes are installed.

## 7. FLUE INSTALLATION

See section 4 for full range of horizontal termination applications.

### 7.1. Installations except Flat on Wall with Wonderfire Flue Terminal 9500389 – Flue Pipe Fitting

Fit all the required Dura-vent DV GS pipes and elbows securely twist locking each section. See the Dura-vent instructions supplied with the sections.

Seal each flue pipe joint with a suitable sealant or sealing tape.

With all the flue pipes attached, slide the appliance to its correct position. Mark the wall for drilling at the centre of the flue pipe. Move the appliance clear for drilling after marking.

### 7.2. Flat On Wall Installations With Wonderfire Flue Terminal 9500389 – Terminal Preparation

1. Cut the flue terminal pipe unit to size (Fig. 21).

**Important! The drain hole must be clearly outside the wall.**

- Measure the wall thickness.
- Add 32mm (1¼ in) for wall spacers if fitted or, if appliance is not going to touch the wall, add distance from case rear to wall.
- Measure this total length along the flue unit from where the termination cap joins the main terminal pipes. Mark the unit.
- Insert the Polystyrene support ring and push it as close as possible to the marked position.
- Cut the flue tubes squarely to length.

f) **Make sure that all Polystyrene is removed from the flue unit after cutting**

2. Fit the flue unit fully over the appliance inlet and outlet collars pushing on firmly. **Make sure that the drain hole is at the bottom.**

3. Drill through the terminal outer tube and appliance outer collar for no.6 screws. See figure 21. **Make sure that the drill does not penetrate the inner tubes.**

4. Secure the terminal to the outer collar with two no.6 thread cutting screws supplied (Fig. 21).

5. Seal the joint between the outer collar and the terminal with sealing tape.

6. Slide the appliance to its correct position. Mark the wall for drilling at the centre of the flue pipe. Move the appliance clear for drilling after marking.

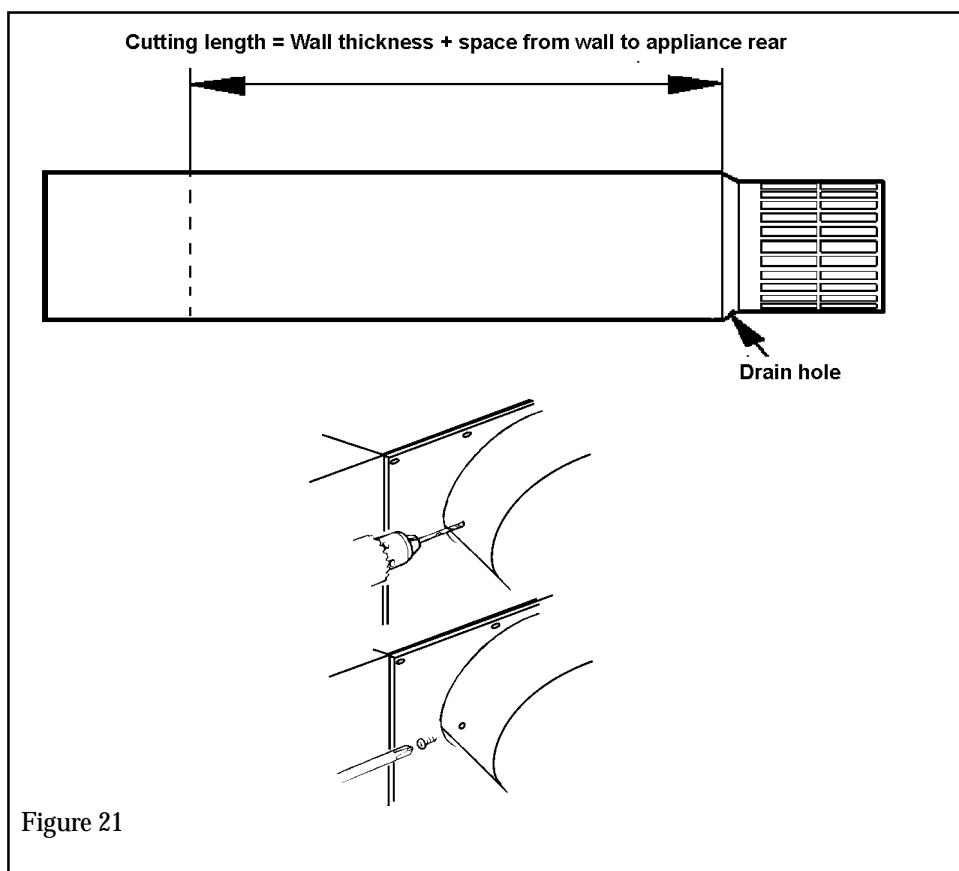


Figure 21

### **7.3. Preparing the wall**

Place dust sheets on the floor and over any furnishings etc.

#### **7.3.1. Core drilling**

1. Drill a pilot hole through the wall. Inspect the hole to ensure that it is in the brickwork and not in mortar. If it is in mortar, it is advisable to reposition the hole approximately 25mm away (making sure that the minimum clearances are complied with).
2. Drill the flue hole with a 178mm (7in) core drill. Where practical, it is recommended that the hole is drilled from inside the building to about half the wall depth with the remainder drilled from outside. This ensures that the edges of the hole are clean on both sides.

#### **7.3.2. Hammer & Chisel Cutting**

1. Mark a 178mm (7in) diameter circle for the flue hole. Chisel out the area marked.
2. It may be necessary to make good both the internal and external wall faces. To achieve a neat finish and to make any future removal of the flue unit easier, it is recommended that a cardboard cylinder be formed around the flue unit and inserted in the hole while making good. Remove the cardboard cylinder after making good.

### **7.4. Securing appliance in place**

1. If the decorative wall thimble cover (Kit no. 940) is to be used with Dura-vent flue pipes, slide the cover over the flue pipes before connecting the Dura-vent terminal – See the Dura-vent instructions supplied with the kits.
2. Slide the appliance fully up to its final position. If using Dura-vent kits, refer to the instructions supplied with the kits.
3. Secure the appliance to the wall or floor if necessary.



## 8. FITTING SIDES & SWITCH

### 1. a) If fitting with appliance side switch only

- Snap fit the switch into the opening in the switch mounting bracket. See figure 22
- Fit the two switch lead clips to the right side of the case.
- Route the switch leads round the back of the valve and connect to the control unit.
- Connect the battery box to the **black** connection pad. See figure 23.
- Place the battery box on the “Velcro” pad in front of the battery shield. Fit the leads into the clips. See figure 23.

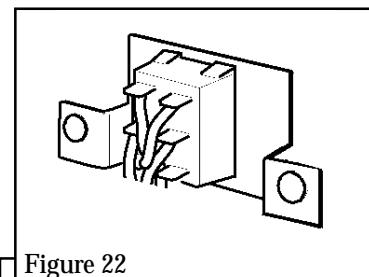


Figure 22

### b) If fitting remote control as only active switch (Appliance side switch disconnected)

**Caution! Don't connect the batteries in the remote control receiver until the leads are connected to the burner control unit. A short circuit could result in destruction of the electrical components.**

- Route the leads from the receiver round the back of the burner and connect to the control unit.
- Remove the receiver lid. Connect the battery box to the receiver leads. Fit the four 1.5 V batteries. Replace the receiver lid.
- Place the remote control receiver on the “Velcro” pad in front of the battery shield. See figure 24.
- Fit the 9V battery to the handset transmitter.

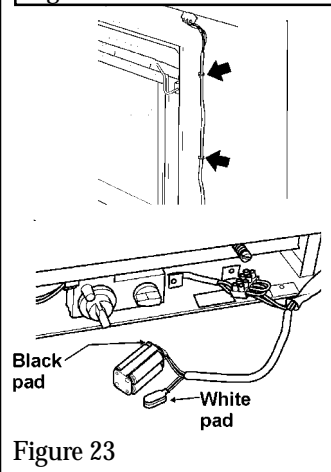


Figure 23

### c) If fitting remote control and active side switch

**Caution! Don't connect the batteries in the remote control receiver until the leads are connected to the burner control unit. A short circuit could result in destruction of the electrical components.**

- Snap fit the switch into the opening in the switch mounting bracket. See figure 22.
- Fit the two switch lead clips to the right side of the case.
- Cut off the “L” terminals from the switch leads **on the remote control receiver** and remove insulation from approximately 6mm (¼in) at the ends of the leads. See figure 25.
- Securely connect the leads to the terminal block. **Connect the black lead to the terminal opposite the brown lead. Connect the lead with the white stripe to the terminal opposite the yellow lead.** See figure 26.
- Route the leads round the back of the valve and connect the “L” terminals to the control unit.
- Remove the remote control receiver lid. Remove the cover from the **white** connection pad. Fit this connection pad to the remote control receiver terminals. See figure 27.
- Fit the **black** connection pad to a battery box. Fit four 1.5V batteries. See figure 27.
- Place the batteries and connection pad in the receiver box and replace the lid.
- Fit the 9V battery to the handset transmitter.

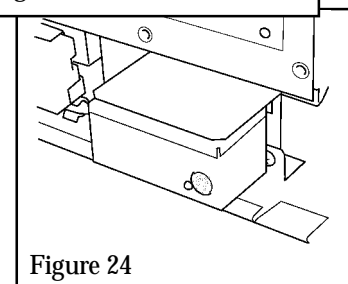


Figure 24

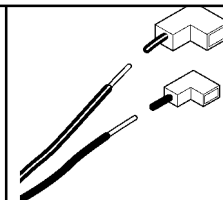


Figure 25

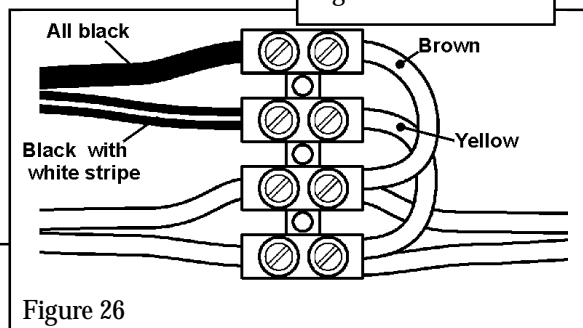


Figure 26

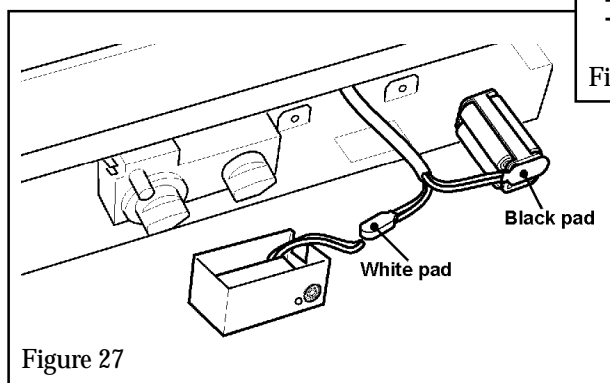


Figure 27

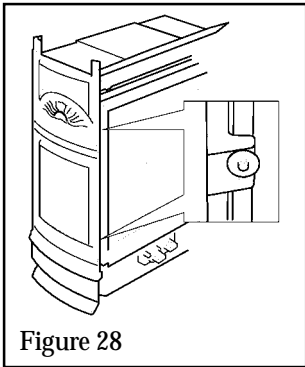


Figure 28

2. Fit the sides to the engine unit case with two machine screws and washers per side. See figure 28.

3. For appliance side switch

Fit the switch mounting bracket to the right side casting with two thread cutting screws supplied. The leads should hang down from the connectors at back of the switch so that pressing the upper half of the switch rocker turns the fire up. See figure 29.

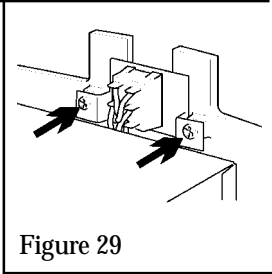


Figure 29

## 9. GAS SUPPLY INSTALLATION

**9.1** Extend the gas supply pipe to a convenient point and connect it to the inlet pipe at the rear left corner of the stove. The connection is Rp1/4 (1/4in. B.S.P).

The supply pipe must be of rigid material (e.g. copper). Flexible connections must not be used.

**9.2** Provision for isolation of the gas supply upstream of the fire must be provided for safety and servicing.

**9.3** Pressure test the installation for gas soundness in accordance with the current edition of B.S.6891.

## 10. CERAMIC FUEL BED INSTALLATION

### 10.1. Ceramic Walls Installation

1. Locate the ceramic rear wall in the channel at back of the firebox and flat against the back of the firebox. See figure 31.
2. Locate the side walls in the channels at the sides of the firebox. See figure 32.
3. Remove two screws from under the top front of the firebox. Using these screws, fit the port cover. See figure 33.

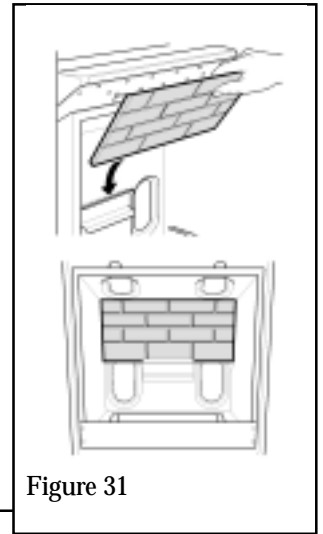


Figure 31

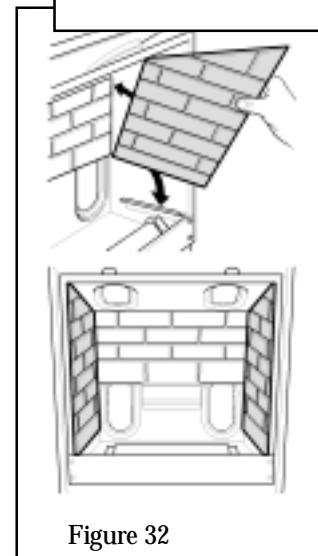


Figure 32

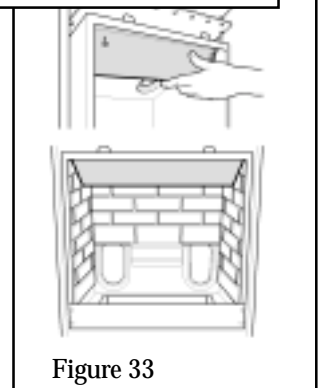


Figure 33

## 10.2. Ceramic Logs Installation

(See section 10.3 for ceramic coals)

1. Place the base log on the supports in the firebox and against the firebox back. See figure 34.
2. Place the rear log over the base log. Locate the holes in the top log into the pegs in the base log. See figure 35.
3. Place the front log behind the metal lip at front of the firebox. See figure 36.
4. Place the right side log in the hollow at right of the base log. Rest the narrow nose of this log on the projection at front centre of the base log – ***It is important that the narrow nose does not drop down to touch the burner.*** See figure 37.
5. Place the left side log on base log at the left side. Locate its nose tip behind the nose of the right side log. ***It is important that the narrow nose does not drop down to touch the burner.*** See figure 38.

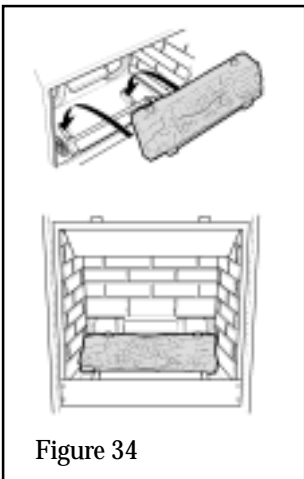


Figure 34

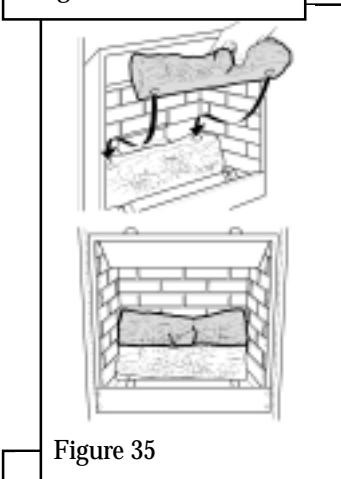


Figure 35

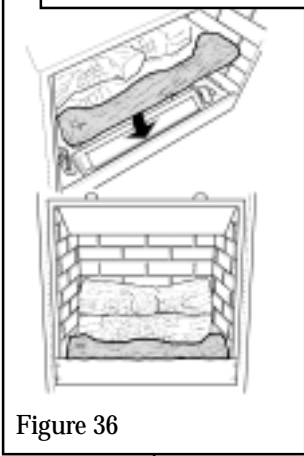


Figure 36

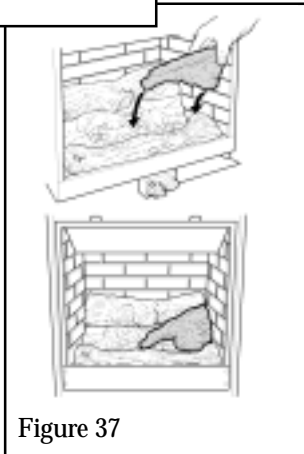


Figure 37

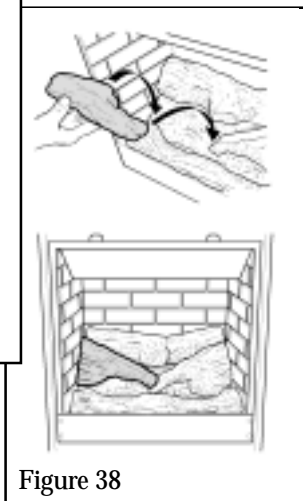


Figure 38

### 10.3. Ceramic coals Installation

(See section 10.2 for ceramic logs)

1. Place the base coal on the supports in the firebox and against the firebox back. See figure 39.
2. Place the left front coal in position behind the metal lip at the front of the firebox. The side projection on this coal should be near the middle front of the firebox. See figure 40.
3. Place the right front coal behind the metal lip at the front of the firebox. Its left side should rest over the projection on the left front coal. See figure 41.
4. The centre right coal has letter "R" embossed underneath. Place this coal behind the front right coal. See figure 42.
5. The centre left coal has letter "L" embossed underneath. Place this coal behind the front left coal. See figure 43.

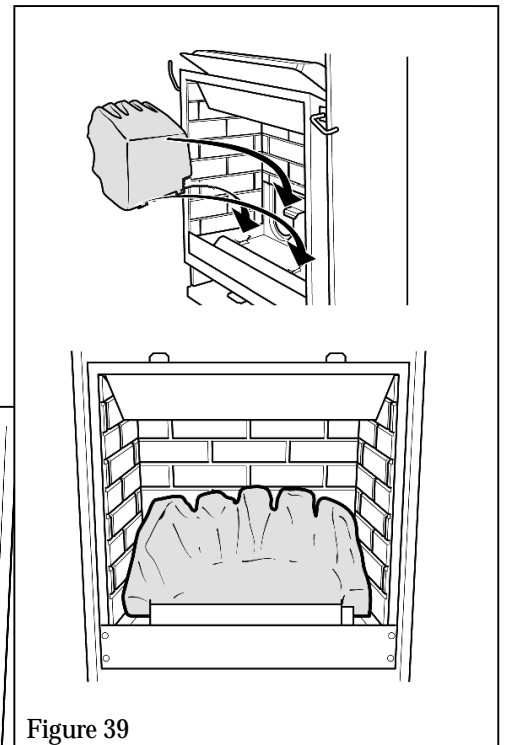


Figure 39

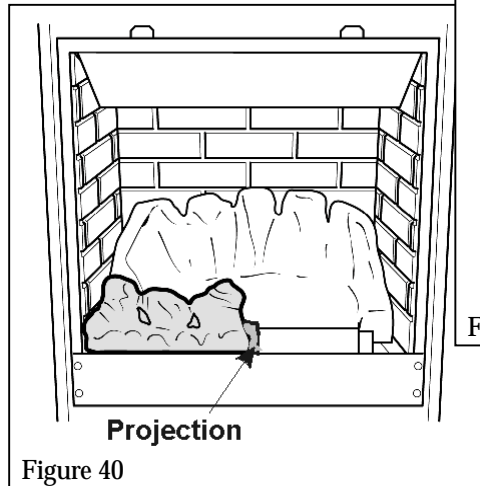


Figure 40

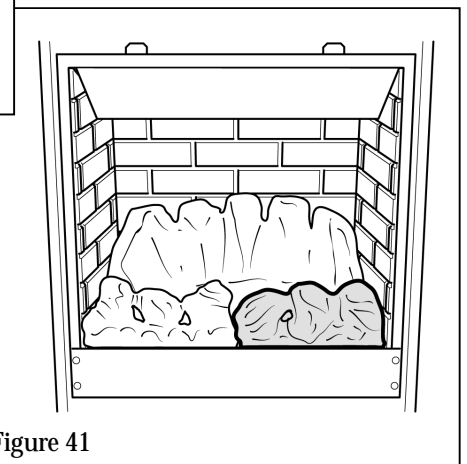


Figure 41

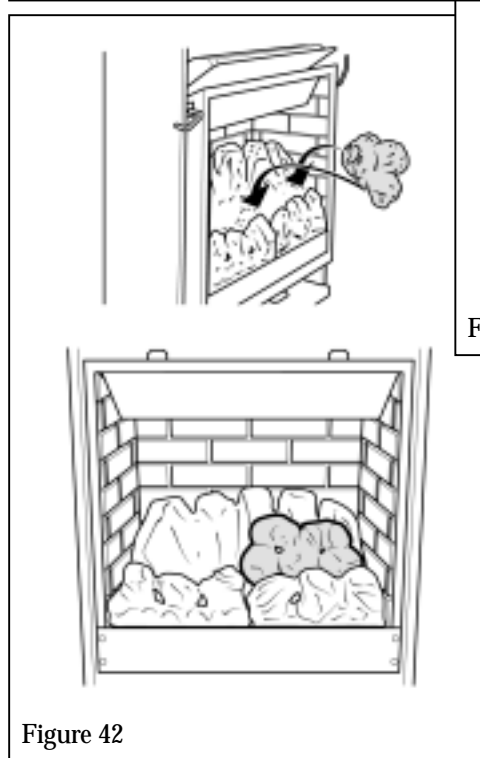


Figure 42

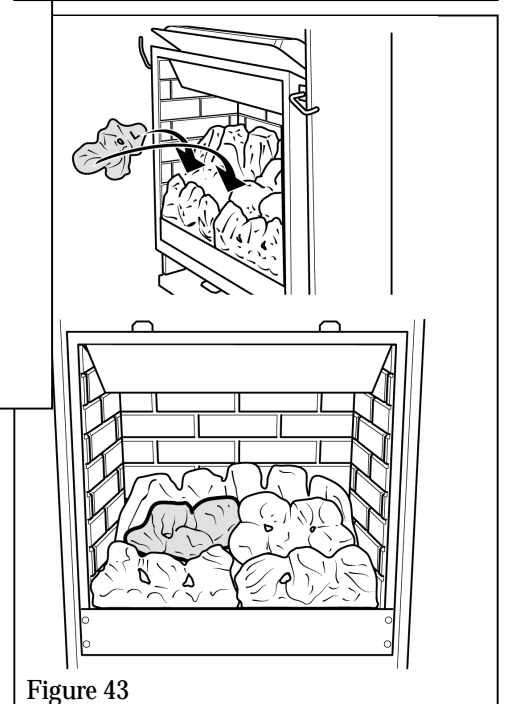


Figure 43

## 11. WINDOW REFITTING & CHECKING

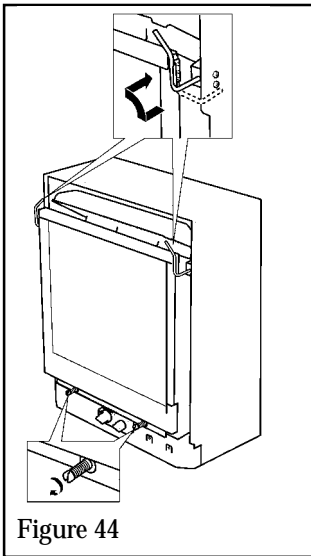


Figure 44

1. Place the window centrally against the engine unit and resting on the support at bottom front of the engine.
2. Pull the clamping bars forward and rotate inwards to secure the top of the window. See figure 44.
3. Fit the two spring loaded bolts through the bottom of the window and tighten to secure the bottom of the window. See figure 44.
4. Pull the top of the window forward and release to check that the window opens slightly and returns in the event of a delayed ignition explosion. See figure 45.
5. Similarly check the bottom of the window by pulling it forward and releasing. See figure 46.
6. Apply light hand pressure against the window frame sides to bed in the window seal.

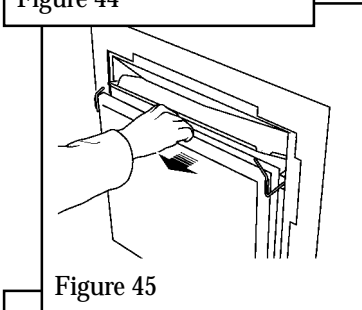


Figure 45

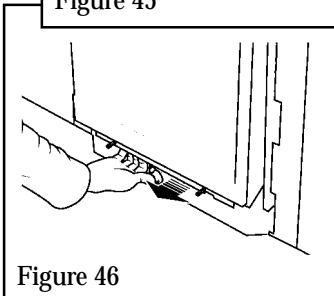


Figure 46

## 12. FULL OPERATING CHECKS

### 12.1. Control operation check

(See figure 47)

*Please note that the flames may be the full height of the fire box, or even slightly higher, for the first few hours of operation due to burning of released curing compounds used in the manufacture of the appliance. The release and burning of these compounds is perfectly safe and is not a health hazard. The flame height will reduce to normal levels a few hours after initial operation of the appliance.*

1. Turn on the gas supply and check all joints for leaks using a soap solution or leak detection fluid.
2. Push in and turn the gas control knob anticlockwise until resistance is felt just before the "IGN" position.
3. Keep pushed in for a few seconds to allow gas to flow then, keeping knob depressed, turn to "PILOT" to light pilot. Hold knob in for a further 5 seconds then release. The knob should pop back out. Pilot should remain lit.
4. When pilot is lit, partially depress the knob and turn to "ON" position.
5. Check the thermostat controls.

The built-in modulating thermostatic control automatically adjusts flame height up or down to maintain room comfort. This provides steady heat output rather than on/off heating like some other thermostat systems. This results in superior room comfort and better heater efficiency\*.

\*If, however, even when the flames are fully lowered the temperature cannot be reduced down to the chosen heat setting, the system will shut the main burner off leaving the pilot only on until the temperature has dropped to an acceptable level. The burner will then relight.

- Check the thermostat:
- a) By rotating the thermostat knob next to the gas control knob (See fig. 47).
  - b) By depressing the rocker switch at the side of the stove. Pressing the upper half should raise the flames. Pressing the lower half should lower them.
  - c) If applicable, by operating the remote control hand set.
6. Turn off after checking.

### 12.2. Check the reference pressure

The appliance is pre-set to give the correct heat input at the inlet pressure shown in section 2 of this manual. Check the burner pressure by fitting a pressure gauge at the test point. The test point is the rear of the two tapping points at the left side of the control valve – See figure 48. Check the pressure with the appliance alight and the thermostat set at its maximum position. After checking, turn off the appliance. Remove the pressure gauge and replace the test point sealing screw. Relight the appliance. Turn to the maximum thermostat position and test around the sealing screw for gas soundness with a suitable leak detection fluid.

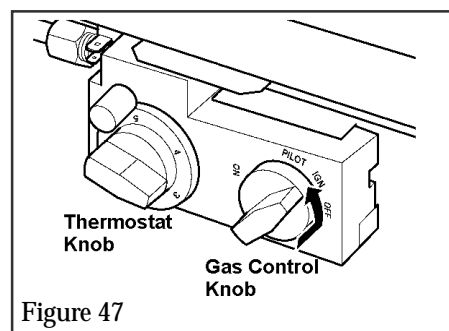


Figure 47

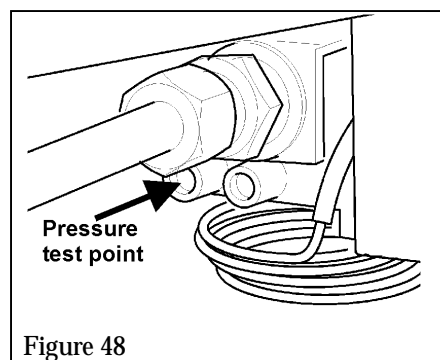
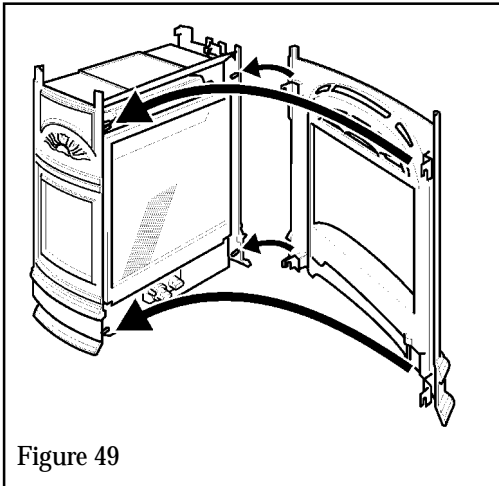


Figure 48

## 13. INSTALLATION COMPLETION



1. Hang the front casting by the hooks at the four corners as shown in figure 49.
2. Fit the top casting making sure that the corners locate as shown in figure 50.
3. *If rear flue connection:* Fit the top infill casting. See figure 51.
4. If necessary the appliance can be levelled by the adjustment bolts at the back of the side castings. See figure 52.

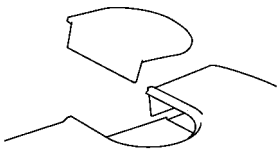
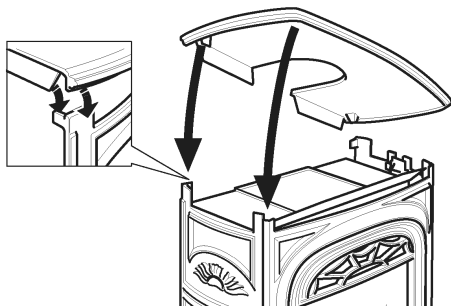
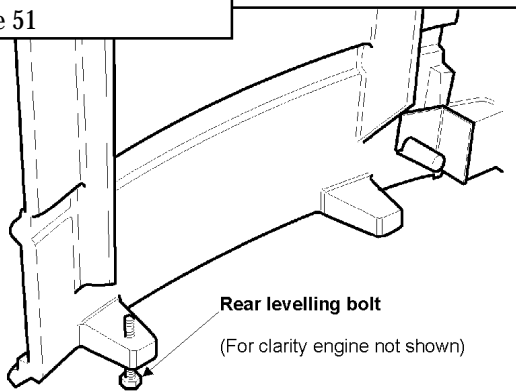


Figure 51





## 14. FINAL REVIEW

1. Recheck ignition and all controls
2. Instruct the user on the correct operation of the fire and especially mentioning:
  - a) The fire has a pilot. To light the pilot, the gas control knob must be operated as described in the owner's guide.
  - b) The pilot flame can be viewed through the hole in the front fuel effect at the left side.
  - c) **If the room is left empty while the heater has shut down to pilot only alight, warn that the flames will relight if the temperature in the room drops sufficiently. Therefore combustible objects should be kept away from the fire.**
  - d) The stove may give off a slight odour while new and that the flames may be the full height of the fire box, or even slightly higher, for the first few hours of operation due to burning of released curing compounds used in the manufacture of the appliance. Assure the customer that the release and burning of these compounds is perfectly safe and is not a health hazard. Mention that the flame height will reduce to normal levels and the odour will disappear a few hours after initial operation of the appliance.
  - e) When first turned on, the decorative flames will appear predominantly blue. After approximately 15 minutes the flames will turn yellow.
  - f) **Emphasise that if the glass panel is broken or damaged, the fire should be turned off and not used until the window unit is refitted with an authorised replacement.**
  - g) Recommend that the appliance should be serviced by a competent person (*In the UK a CORGI registered person*) at least annually. *If the appliance is in premises in the United Kingdom occupied by a tenant, point out that by law a landlord must have any gas appliance, flue and pipework which is situated in a tenant's premises checked for safety at least every 12 months*
  - h) If the fire goes out for any reason, wait at least five minutes before relighting.
3. Hand over to the customer this guide and the users guide.
4. Advise the customer to read the Owner's Guide before operating the stove and always to follow the advice in the section headed "Cleaning".

## 15. SERVICING

- ***Always turn off the gas supply before commencing any servicing***
- ***This product uses fuel effect pieces, burner compartment walls and gaskets containing Refractory Ceramic Fibres (RCF), which are man-made vitreous silicate fibres. Excessive exposure to these materials may cause temporary irritation to eyes, skin and respiratory tract. Consequently, it makes sense to take care when handling these articles to ensure that the release of dust is kept to a minimum. To ensure that the release of fibres from these RCF articles is kept to a minimum, during installation and servicing we recommend that you use a HEPA filtered vacuum to remove any dust and soot accumulated in and around the fire before and after working on the fire. When replacing these articles we recommend that the replaced items are not broken up, but are sealed within a heavy duty polythene bag, clearly labelled as RCF waste. This is not classified as "hazardous waste" and may be disposed of at a tipping site licensed for the disposal of industrial waste. Protective clothing is not required when handling these articles, but we recommend you follow the normal hygiene rules of not smoking, eating or drinking in the work area and always wash your hands before eating or drinking***
- Check that the appliance is clean and that no matter is blocking the burner or pilot which may cause an imperfect flames or prevent a correct electrode spark.
- After servicing, make sure that the ceramic walls and fuel effect pieces are replaced correctly as described in the installation instructions.
- ***Always test for gas soundness after servicing the appliance.***

All Wonderfire appliances are CE Approved and designed to meet the appropriate British Standards.



All Wonderfire appliances are manufactured to the highest standards of quality and excellence under the BS EN ISO 9001 quality system accepted by the British Standards Institute.

All Wonderfire gas appliances must be installed by a competent person in accordance with the Installer Guide. If in doubt always use the services of a CORGI Registered Installer

Please fill in the following information for your own future reference. The information should always be quoted in any correspondence with your original supplier or Wonderfire service department.

In the United Kingdom please telephone **0121 386 6203**.

In the Republic of Ireland please telephone **353 183 75114**

Model **530U President Universal with Balanced Flue**

Front (Tick box)

**Black Textured**

**Black Enamelled**

**Green Enamelled**

Supplier's Name

Supplier's Address

Supplier's Telephone No.

Date of Purchase

Guarantee Card No.

MANUFACTURED BY WONDERFIRE  
Wood Lane, Erdington, Birmingham B24 9QP

Because our policy is one of constant development and improvement, details may vary slightly from those given in this publication