

BAXI FIRES DIVISION

INSTALLER GUIDE

Model 0582631 Spacer Frame

CONTENTS

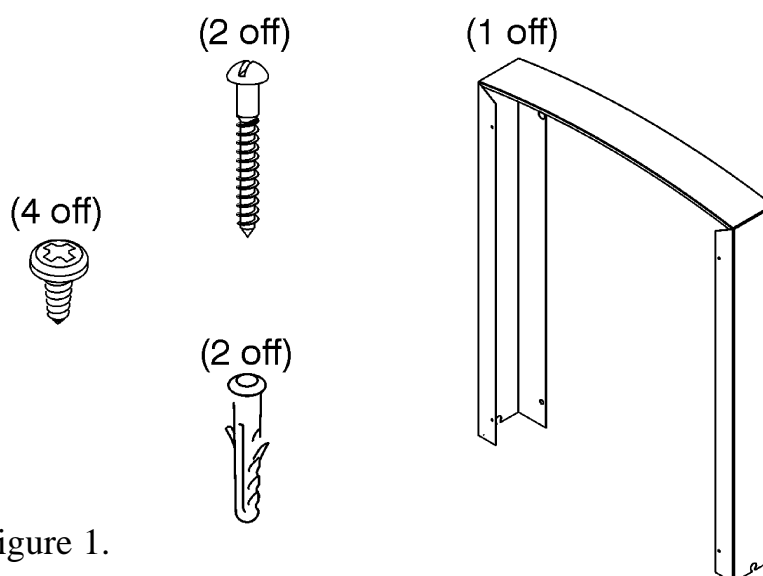


Figure 1.

The installation of this spacer frame requires a reasonable level of DIY skills. Please read this guide thoroughly before commencing installation and if in doubt, seek help from a competent person.

This spacer frame is for use during installation where a chimney recess or rebated fire surround are not available. For your safety the frame and heater must be securely fixed to the rear wall.

BAXI ● VALOR ● WONDERFIRE

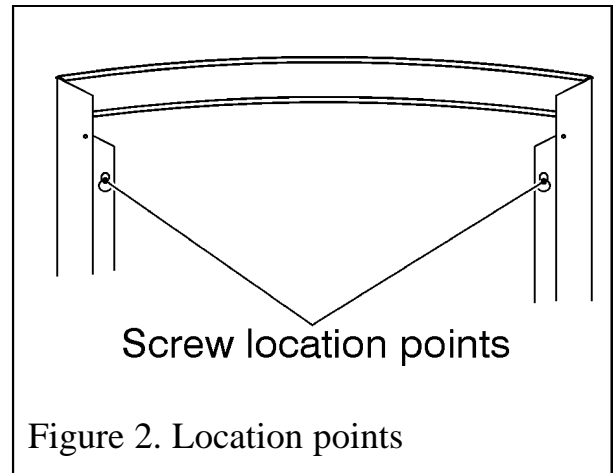
Important: Please keep your guide in a safe place for future reference

INSTALLER AND OWNER GUIDE

Fitting the spacer frame

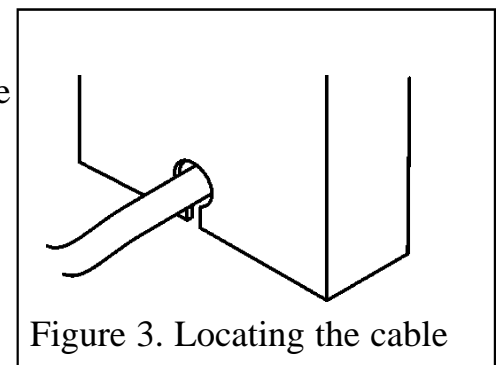
The rear of the spacer has wider flanges. These should be to the rear when fitting.

1. Position the rear of the spacer frame against the wall. Ensure that the spacer frame is central to the fireplace. It is important that the side legs are positioned correctly and are upright.
2. Mark the upper positions of the key hole slots on the rear wall (See figure 2).
3. Remove the spacer frame from the fireplace and place away from the work area.
4. Drill the screw locations using a suitably sized masonry drill bit.
5. Insert the two wall plugs provided into the holes.
6. Insert a screw into each hole and screw in until there is approximately 6mm of screw protruding from the wall.



Preparing the heater for installation.

1. Using the four screws provided with the spacer frame kit, fix the heater to the spacer frame.
2. There is a supply cable slot on both sides of the spacer frame. It is located at the base. Decide which side to pass the supply cable through and position the supply cable in the spacer frame slot (See figure 3).



Fitting the heater.

1. Locate the spacer frame and heater over the screw heads ensuring a tight fit. If the fit is loose, remove the spacer frame and heater from the wall. Tighten the wall screws slightly and reposition the spacer frame and heater.

Proceed with fitting the heater as described in the installer and owner guide supplied with the heater.

INSTALLER AND OWNER GUIDE

© Baxi Heating U.K. Limited 2006.

All rights reserved. No part of this publication may be reproduced in any material form (including photocopying), stored in any medium by electronic means (including in any retrieval system or database) or transmitted, in any form or by any means, whether electronic, mechanical, recording or otherwise, without the prior written permission of the copyright owner.

Applications for the copyright owner's permission to reproduce any part of this publication should be made, giving details of the proposed use, to the following address: The Company Secretary, Baxi Heating UK Limited, Pentagon House, Sir Frank Whittle Road, Derby, DE21 4XA.

Warning: Any person who does any unauthorised act in relation to a copyright work may be liable to criminal prosecution and civil claims for damages.

Baxi Fires Division, Erdington, Birmingham B24 9QP
www.firesandstoves.co.uk

B A X I F I R E S D I V I S I O N

Because our policy is one of constant development and improvement, details may vary slightly from those given in this publication