

CONTENTS

Page

PLUG IT - The Revolutionary NEW Plumbing System

2/3



SELECT XLS - Unique 'All-in-one' Programmer

4/5



SERVICE SENTINEL PROGRAMMERS

6/7



ROOM THERMOSTATS

8/9



PROGRAMMABLE ROOM THERMOSTATS

10



THERMOSTATIC RADIATOR VALVES

11



MOTORISED VALVES

12/13/14



SOLAR CONTROLLERS

15



SUNVIC SYSTEM ESSENTIALS

16

HEATING PACKS

17

ROD THERMOSTATS

18/19

SPARES AND ACCESSORIES

20

WIRING DIAGRAMS

21



PLUG IT

The Plug-it Control Pack was designed specifically to ease the installation of Controls in Central Heating Systems by saving time on the electrical installation costs. The motorised valves, cylinder thermostat and optional pump are pre-wired to the wiring centre, with a unique colour coded plug connecting to the controls.

The perfect solution for Builders, Developers, Local Authorities, Housing Associations, Self Build and most importantly, the Installer and Service Engineer.

- Fast and easy to fit
- Reduces installation costs
- Standard UK Mains Voltage
- Unique Colour Coded Plug Connectors



There is also the added value to Merchants supplying complete systems in one convenient pack. Plug-it Packs are supplied with a choice of Room Thermostats either hard wired, or RF and Time Controls, (1, 2 or 3 Channel Programmers) and a by-pass valve in the 2 port Valve packs. Sunvic offer the flexibility to choose your own pack type by defining which items are included. Choose a motorised valve type from motor on/motor off or spring return technology), S or Y plan compatible, depending on your application. There is also a choice of thermostat pack and no pump option if necessary. FOR MORE INFORMATION PLEASE SEE PAGE 19.

TYPICAL STANDARD PACK CONTENTS:

Contents	Twin Unival Energy Saving Plug-it Pack	Twin Unival SR Plug-it pack	3 Port Unishare Energy Saving Plug-it Pack	3 Port Unishare SR Plug-it Pack
2 Port Energy Saving Motorised Valves	■ x 2			
2 Port Spring Return Valves		■ x 2		
1 x 3 Port Energy Saving Motorised Valve			■	
1 x 3 Port Spring Return Valve				■
SBV33 Auto By-pass Valve	■	■		
Room Thermostat TLX4101 (2 Wire Volt Free Option) Or TLX9201 (3 Wire Option)	■	■	■	■
Select207XL Programmer	■	■	■	■
Wiring Centre	■	■	■	■
Cylinder Thermostat	■	■	■	■
Circulator Pump	■	■	■	■





MOTORISED VALVES

Sunvic Motorised valves are available in Motor on/Motor Off energy saving technology or standard spring return models. They are designed and manufactured in Scotland to the highest standard and provide long lasting reliability and outstanding performance. All actuators are replaceable without draining down the system.



MULTI PURPOSE PROGRAMMER

7 day, 5/2 day and 24 hour programming options, 'All-in-One' programmer, with two independently time controlled channels e.g. Heating and Hot Water. Designed for use with fully pumped Central Heating Systems, with an option for Gravity systems, using a 3 port mid position motorised valve or two 2 port zone valves.



WIRING CENTRE SWC 2202

The Sunvic 10 way wiring centre is moulded in an attractive white high quality flame retardant ABS finish and pre-wired to include cable lengths terminated with colour coded connectors.



ROOM THERMOSTAT

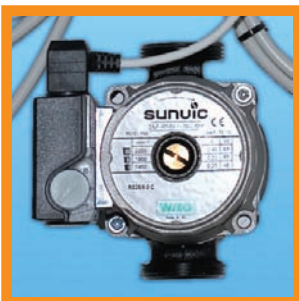
The TLX 9000 shown on the left features a user friendly tactile knob to aid visually impaired users and is also available in silver effect.

TLX 4101 two wire volt free thermostat option



CYLINDER THERMOSTAT SA 2452

The surface mount cylinder thermostat comprises of a single pole double throw micro gap switch, suitable for loads up to 5A 250V.



PUMP

High quality Wilo domestic circulator pump. 130mm port to port with 1½" BSPM connection and 6 metre head.



PLUG

Unique and innovative patented plug system.



Optional 3 Port Valve



Optional 307 XLS



Optional TLX 4101



2 PORT SPRING RETURN MOTORISED VALVES

SUNVIC motorised valves are guaranteed to be of high quality, high reliability and high specification. Years of experience in the mastery of valve design and manufacture gives uniqueness to the products within our range.

The motorised valve is probably the hardest working component in 'wet' domestic central heating systems, so you need to be sure it belongs to a name you can trust.

Our expertise is evident in our ability to create patented technology for both actuators and valve bodies.

- Spring return action
- Manual lever for filling/ draining system
- Actuator replaceable without draining down systems
- Self cleaning shoe action
- auxiliary Switch for electrical control of pump boilers & other ancillaries
- Available as complete valves or separate body and actuator
- Normally Closed and Normally open Actuators available
- Valve OPEN Neon Actuators available



Valve Size and Connection Detail:	Complete Valve and Actuator Order Code	Actuator Only Order Code	Valve Body only Order Code
15 mm (external Compression)	SZV 2286	SZ 2301	ML 3402
22 mm (External Compression)	SZV 2212	SZ2301	EML 3454
28 mm (External Compression)	SZV 2228	SZ 2301	EML 3503
1/2" bsp (female)	SZV 2288	SZ 2301	ML 3401
3/4" bsp (female)	SZV 2289	SZ 2301	ML 3451
1" bsp (female)	SZV 2218	SZ2301	ML 3501

SPECIALS FOR IRISH MARKET:

Valve Size and Connection Detail	Complete Valve and Actuator with Neon	Actuator only	Valve body only
22mm / 3/4" (Imperial Copper)	SZV 2543	SZ 2401	EML 3505
28mm / 1" (Imperial Copper)	SZV 2544	SZ 2401	EML 3504
3/4" bsp (female)	SZV 2545	SZ 2401	EML 3451

FOR FULL RANGE OF SZ ACTUATORS FOR OTHER APPLICATIONS SEE SPARES PAGE 20



3 PORT 'UNISHARE' SPRING RETURN MOTORISED VALVES

- Spring return action
- Manual lever for filling/ draining system
- Actuators for Mid Position or Diverter applications
- Actuator replaceable without draining system
- Revolutionary patented 'Slipseal' action

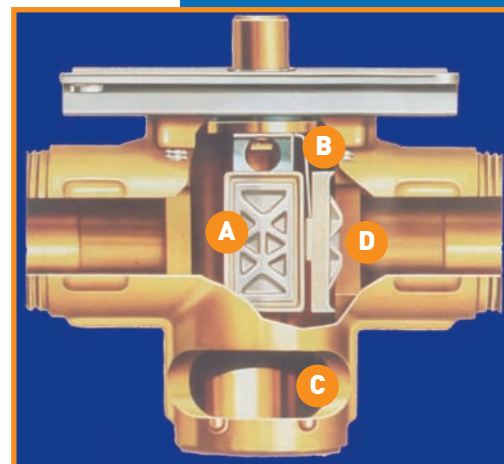


Valve Size and Connection Detail:	Complete Valve and Actuator Order Code	Actuator Only Order Code	Valve Body only Order Code
Mid Position:			
22 mm (External Compression)	SDV 2211	SD 2701	EDT 2702
28 mm (External Compression)	SDV 2294	SD 2701	EDT 2706
1" bsp (female)	SDV 2296	SD 2701	DT 2606
Diverter:			
22 mm (external compression)	SDV 2291	SD 2601	EDT 2702
28 mm (external compression)	SDV 2295	SD 2601	EDT 2706
1" bsp (female)	SDV 2297	SD 2601	DT 2606

SD ACTUATORS	Order Code	No of Wires
Mid Position Actuator	SD 2701	4
Diverter	SD 2601	2

VALVE BODY UNIQUE SPECIFICATION:

- A** Self Cleaning Rubber Seal ensures good shut off
- B** Driven by Stainless Steel Leaf Spring and no bulky Spindle to reduce Flow and cause turbulence
- C** Clear unimpeded water flow and no ball or paddle
- D** Unique patented ramp feature moves rubber seal away from valve chamber wall to allow self cleaning



HEAT PACKS

As well as off the shelf solutions, SUNVIC offer the flexibility to make up your own pack design by selecting any one of our quality products and combining them to make the pack of your choice.

Contact your local Sunvic representative for further information on custom pack design.

- Complete system in a single pack
- Positive, independent control of domestic hot water and central heating
- Possible to extend control system to add further zone control
- Available in timed and untimed versions
- Matched components for trouble free installation

MoMo Univalve 3 Energy Saving Kit



MoMo Unishare Energy Saving Kit

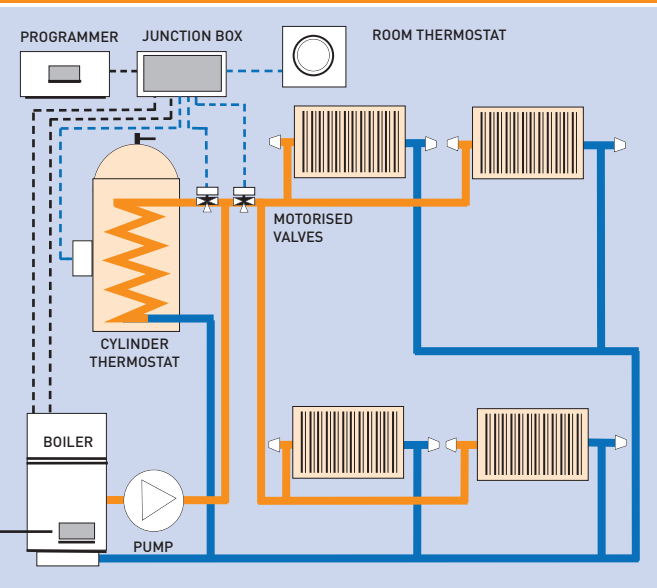


MoMo Univalve Energy Saving Kit

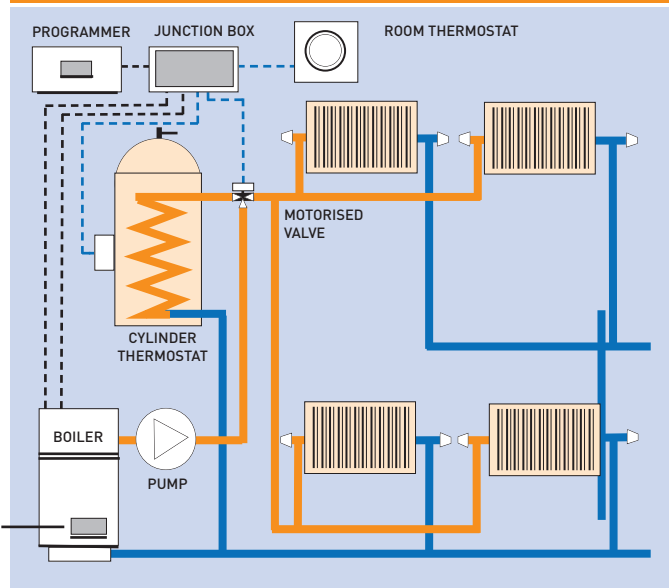


ORDER CODE	DESCRIPTION	PACK CONTENTS				
		2 PORT MOMO VALVE SZMV 2305	3 PORT MOMO VALVE SDMV 2304	ROOM THERMOSTAT TLX 9201	7 DAY PROGRAMMER SELECT 207XL	CYLINDER THERMOSTAT SA 2452
891-2482	Unishare MoMo Select 22mm		■	■	■	■
891-2483	Unival MoMo Select 22mm	■		■	■	■

TWIN UNIVAL COMPLETE SYSTEM PACK



UNISHARE COMPLETE SYSTEM PACK



SPARES & ACCESSORIES

ROOM THERMOSTAT ACCESSORIES

ORDER CODE	PRODUCT DESCRIPTION
8362405	BX3 Weather Resistant case for TLX/TLM
8371203	Guard Pack for TLX/TLM to protect against physical damage
3172205	SEN 2205 Sensors for use with Electronic TLX
3172301	SEN 2301 Sensors for use with Electronic TLX
3172303	SEN 2303 Sensors for use with Electronic TLX

TIME SWITCHES & PROGRAMMERS

ORDER CODE	PRODUCT DESCRIPTION
4983300	Sentinel Software Key
4942202	CB 2202
4943303	CB 3303 (MP2)
2237227	Clock Timer for CLOCK BOX 494

ACTUATORS & VALVE BODIES

ORDER CODE	PRODUCT DESCRIPTION
4525601	DM 5601 Mid position actuator (Duoflo)
4525651	DM 5651 Mid position actuator & plug (Duoflo)
6151453	MK 1453 22mm 3 port valve (Duoflo)
8031612	CLASS "A" SYN. Motor
8031603	Spares kit for ML/EML valves 28mm
8031604	Spares kit for MK Valves 22mm
8031601	Spares kit for ML valves 15mm
8031602	Spares kit for ML/EML valves 22mm
8031613	Spares kit for DT/EDT valves 22mm
SM 5201	Drive Open / Drive Closed Actuator 4 Wire No switch
SM 5203	Drive Open / Drive Closed Actuator 5 Wire SPST N/O
SM 5205	Drive Open / Drive Closed Actuator 6 Wire SPDT

Note : SM Actuators require SPDT Thermostats

SZ 2201	Spring Return N/C 2 Wire No Switches
SZ 2251	Spring Return N/O 2 Wire No Switches
SZ 2302	Spring Return N/C 4 Wire SPDT for Gravity Systems
SZ 2351	Spring Return N/O 4 Wire SPST
SZ 2355	Spring Return N/O 5 Wire SPDT

Note : All SM/SZ Actuators can be used with ML/EML Valve Bodies

AUTO BY-PASS VALVES

ORDER CODE	PRODUCT DESCRIPTION
7171022	SBV 22 Auto By-pass Valve (22mm)

ROD THERMOSTATS

ORDER CODE	PRODUCT DESCRIPTION
8522701	VK 11" Pkt
8512601	VK 7" Pkt
8542801	VK 18" Pkt

ENERGY REGULATORS

ORDER CODE	PRODUCT DESCRIPTION
4176202	TYJ 6202
4176303	TYJ 6303
0002/861	TYJ Clamping Nut
0003/861	TYJ Clamping Washer
8111510	TYJ Black Knob
8111509	TYJ White Knob
8111901	ERY Black Knob
8111902	ERY White knob
8111602	SCALE PLATE ERX/ERY

THERMAL RELAYS

ORDER CODE	PRODUCT DESCRIPTION
4182301	TDW 2301

REMOTE PHIAL THERMOSTATS

ORDER CODE	PRODUCT DESCRIPTION
2441201	TO 1201
2441228	TO 1228
8113251	TO Knob
8141202	TO/TF Escutcheon

BOILER THERMOSTATS

ORDER CODE	PRODUCT DESCRIPTION
2613501	TK 3501
2613504	TK 3504
2623501	TKR 3501
2623504	TKR 3504
2651602	TF 1602
2651603	TF 1603
2651609	TF 1609
2633301	TKD 3301
2633501	TKD 3501
2633502	TKD 3502
8113258	TF 1603 Knob
8511303	TK Pocket

CYLINDER THERMOSTAT

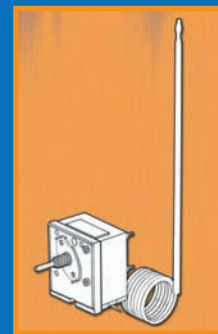
ORDER CODE	PRODUCT DESCRIPTION
7171500	CIT 500 Stem, immersion



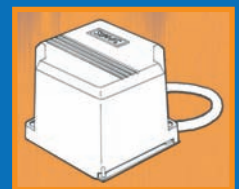
Class 'A' Synchronous Motor



SEN 23** Electronic Thermostat Sensor



TF 1602 Boiler Thermostat



Replacement Actuator



MP2
24 hr, independent control of central heating & hot water

Some older specification products, spares and accessories are available upon request. Please contact Sunvic customer service team for further information.

