

STOVAX

Fire Your Imagination

Traditional & Contemporary
Wood & Multi-fuel Stoves





Premium quality cast iron and steel stoves

Welcome to Stovax, a company that has been dedicated to the development and manufacture of high quality, woodburning and multi-fuel stoves for nearly 30 years. Today, Stovax is home to one of Europe's leading ranges of stoves and fireplaces with models and colours to suit all types of interiors.

Authentic choice

There is nothing like the irresistible ambience of a real Stovax stove. Expertly crafted to be either traditional or contemporary in appearance with the flexibility and convenience required for modern living, they continue to offer discerning homeowners the best of all worlds. Whether you choose woodburning or smokeless fuel options they are clean burning, highly efficient and available in sizes and styles to suit most rooms and living spaces.

Cast iron or steel

Originally, all heating stoves, such as the Huntingdon range (illustrated on page 14-23), were made from cast iron. Today, in spite of commercial steel production expanding from the late 19th Century onwards, cast iron still remains the material of choice for many premium quality stoves. This is because of the way cast iron diffuses warmth giving maximum radiant heat over a period of time. Moreover, the iron can be cast more thickly in areas where greater strength is needed, whilst additionally allowing attractive designs to be cast into the stove panels.

However, in the 21st Century modern manufacturing technology also permits the use of heavy gauge steel for the body of the stove with cast iron or steel doors and firebox components complementing it.

Accordingly, both the more traditional Stockton range (see pages 30-57) and the contemporary View range (see pages 58-63) combine the advantage of both cast iron and steel, offering superb performance and value for money.

State-of-the-art Cleanburn technology

Most stoves in this brochure feature Cleanburn technology so they burn logs or solid fuels with outstanding efficiency*, resulting in more heat delivery into the room and less going up the chimney. It works by introducing pre-heated, secondary air into the firebox to burn the excess hydrocarbons in the smoke. Airwash air also helps keep the window clean, allowing you to enjoy the flames to the full.

CE Marked and HETAS Accredited

All Stovax Stoves in this brochure, with the exception of the Large Regency and High-output Boilers, are CE marked, and this is shown by the CE mark on their product pages. This means they have been independently tested to exacting European standards for both heating efficiency and emissions. They have also been accredited by HETAS, the UK's official body recognised by the government to approve solid fuel domestic heating appliances.





Contents

CAST IRON STOVES	6 – 7		
Brunel Stoves	8 – 13		
Huntingdon Stoves	14 – 23		
Sheraton Stoves	24 – 25		
Regency Stoves	26 – 27		
STEEL STOVES	28 – 29		
Stockton 3, 4 & 5	30 – 37		
Stockton Milner & 6	38 – 43		
		Stockton 7 & 8	44 – 53
		Stockton 11	54 – 55
		Stockton Double Sided Stoves	56 – 57
		View Stoves 3, 5, 7 & 8	58 – 65
		HIGH OUTPUT BOILER STOVES	66 – 71
		ELECTRIC STOVES	72 – 73
		Flue Pipe	74 – 75
		Accessories, Stove Care & Benches	76 – 77
		Dimensions & Flue Pipe	78 – 90

Woodburning and solid fuel

All Stovax stoves are designed either for multi-fuel use, which means they burn logs, smokeless fuels or peat/turf briquettes, or as woodburners only.

Multi-fuel stoves have a riddling grate which allows ash to be riddled into a built-in ashpan to create the optimum conditions for efficient combustion. Woodburners have a fixed grate and no ashpan, since wood burns best on a bed of ashes.

Wood is better in environmental terms as the amount of carbon dioxide released into the atmosphere is approximately the same as that absorbed by the tree during growth. It is also a renewable resource, particularly when derived from plantations and cultivated woodland. For optimum results, we recommend logs should be seasoned for 2 years or more to achieve a moisture content below 20%*. This will not only give twice the output of freshly felled timber but help avoid a build up of tar in your flue. Furthermore, if you can obtain hardwood logs this is better still, as they will have greatly increased calorific value of softwoods for the same volume.

* All efficiencies quoted in this brochure are for seasoned wood with a moisture content of less than 20% or for approved smokeless fuels.



In rural areas, Stovax stoves have a particular advantage as they allow homeowners to burn readily available log supplies from local sources. Indeed, if you are a farmer, smallholder or landowner your fuel could even be free!

Woodburning efficiency can even be achieved in the most urban environments with our extensive range of Smoke Control Area approved stoves. Please see page 5 for further details.

Just as importantly, if you choose a Stovax stove with a boiler option, you can even provide yourself with domestic hot water or run radiators from the same fire. Please see page 4 for further details.

Five Year Warranty

As outlined on page 76, your Stovax retailer will provide you with a Five Year Casting* Warranty for all cast iron stoves and the cast iron door of steel stoves. Full details of these warranties are on our website or available upon request.

*Castings refers to the main carcass of cast iron stoves and the cast iron door in the case of steel stoves. Wearing consumables including baffles, log retainers and grates are not covered by this warranty.





Stovax boiler stoves for complete home heating

Four models within the Stockton range, along with two contemporary View models, have been specifically designed to supply your domestic hot water and central heating requirements or even augment your existing heating system.

Hot water, radiators and underfloor heating

Several Stovax woodburning/multi-fuel stoves are designed to be fitted with optional boiler systems and details of these can be found on appropriate pages throughout this brochure. Additionally, Stovax offer a selection of High-output Boiler models that come with the boiler built in.

If you choose a stove with an integral High-output Boiler, you can not only supply yourself with domestic hot water but even run your radiators all from the same appliance.

Alternatively, you can 'link up' a Stovax boiler stove with your conventional oil or gas fuelled central heating system. This 'link up' system will not only reduce reliance on your heating being provided from a single fuel source but, if burning wood, will also make your heating better for our environment through lower carbon emissions. 'Link up' can also connect with gas or oil, sealed heating systems, combi's, underfloor heating, advanced electronic controls and solar panels to make even more flexible systems.

Further information about stoves with boilers is given on pages 66 - 71. Stovax also produces a 'link up' guide which shows how to 'link up' your solid fuel boiler with other heat sources, providing examples of typical arrangements and frequently asked questions. For more details, see our link up technology guide at www.stovax.com/linkup.





Clean Air Act compliance

Expert Retailer Network

Approved for Smoke Control Areas

Most town and city homes are located in Smoke Control Areas as designated by the Clean Air Act 1993. To burn logs on a stove in these locations, the model installed must have been granted exemption from the regulations by the government through DEFRA.

This exemption is given only to appliances which have been independently tested to demonstrate particularly clean burning combustion. Many stoves in this brochure are approved for use in Smoke Control Areas (when the appropriate smoke control kit is fitted and used in accordance with the product operating instructions) and this is shown on each product page. Your Stovax retailer can give you further help and advice.

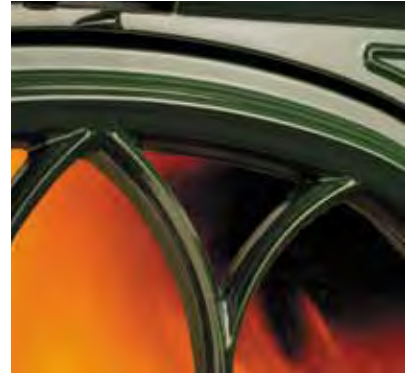
See our stoves in your area

We take great care to ensure that our stoves are designed, tested and manufactured to the highest possible quality and safety standards. We are just as concerned to make certain that they are sold and installed correctly so that you enjoy years of pleasure from your purchase.

Accordingly, you will find our products are only available from experienced, independent retailers who will be happy to show you a selection of models locally in their showrooms, often fully operational; discuss your individual requirements both technical (such as sizing the heat output to your room and advising on your flue type) and design; and ensure that you select the most appropriate product for your home. These retailers will also be able to advise on or assist with the installation process as well as help provide any after-sales support and servicing your appliance may require in the future.

Whilst we encourage our retailers to promote fireplace products and their outlets via the internet, we do not believe suitable levels of customer care and satisfaction can be obtained from nationwide online sales and we would strongly recommend that you consider this when undertaking your research and making a purchasing decision. Further, please be aware that we do not offer technical support (beyond our statutory responsibilities) to products bought via nationwide online sales, where this support would normally be offered by one of our qualified, independent retailers.





Cast iron stoves

Wood and multi-fuel

Every stove in this section is manufactured from cast iron. This is the traditional way of making premium quality stoves due to the way cast iron diffuses heat. Another advantage is that the iron can be cast more thickly in areas where greater strength is needed. It also has sculptural qualities, allowing attractive designs to be cast into the stove panels.

Airtight Construction

All Stovax stove doors, except the Regency, have airtight seals which permit airflows to be precisely controlled. This allows both the heat output and refuelling frequency to be varied and helps maximise burning efficiency.

Perfect Flame Control

The triple air system in certain stoves also allows complete control of the flame picture. From a deep glow, with minimal flames, it takes only a few seconds to fill the firebox with swirling flames from the fuel and jets of flame from the Cleanburn ports.

Enamel Stoves

Enamel is a very thin coating of coloured glass which is fired at over 800°C on to a metal surface. To achieve its translucent and lustrous finish, each casting is especially designed for enamelling and is coated and fired twice. Enamel is an option on many stoves, and available in the three colours shown opposite.

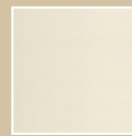




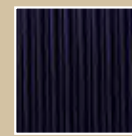
Colour Options



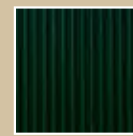
Matt Black



Matt Ivory



Midnight Blue Enamel



Laurel Green Enamel



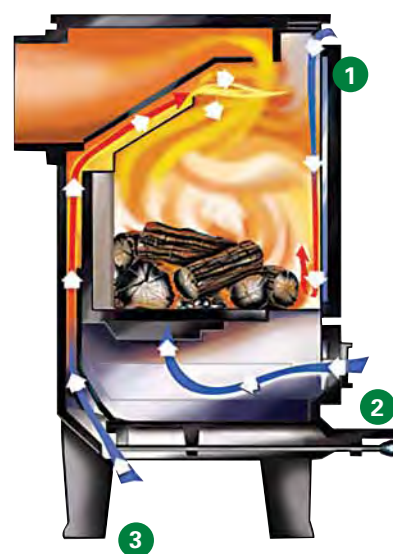
Ivory Enamel

Please see product pages for colour options available for each model.

Triple Air Systems (Cleanburn technology)

Several Stovax stoves incorporate triple air systems to provide a cleaner burn, greater thermal efficiency and control of the flame picture as follows:

- 1 Airwash air is drawn down over the inside of the window to keep the glass clean and clear. It is also used as primary combustion air when burning wood.
- 2 Primary air for use with solid fuel, also used to start wood fires but not normally used once a wood fire is burning.
- 3 Cleanburn secondary air is pre-heated as it passes through a heat exchanger chamber within the firebox. It is then drawn into the smokestream, where it combusts unburnt hydrocarbons to provide a cleaner burn and greater thermal efficiency.





Brunel 1A in Matt Ivory burning logs.



CAST IRON Brunel 1A

Ideal for smaller rooms, the Brunel 1A is the smallest stove in the Stovax cast iron range and is designed to fit into a standard 22" high British fireplace. Nonetheless, this model still features airwash to help keep the glass window clear, full multi-fuel capability and an externally operated riddling grate. There is even an option to fit a boiler to supply domestic hot water.

Key Facts

High efficiency	up to 84%
Multi-fuel (with external riddling)	✓
Ashpan	✓
Airwash	✓
Maximum heat output	4kW (2kW with boiler)
Maximum log length	9 3/4" (250mm)
Longer leg option	✓
Boiler option (for outputs see page 78)	✓ (2kW)
Flue outlet	5" top or rear
Matching flue pipe in five colours	✓

Product Codes

Colour	Matt Black	Matt Ivory	Midnight Blue	Laurel Green	Ivory
Multi-fuel	7008	7008PI	7008BL	7008LG	7008IV
Steel boiler (unlined)	4071 all models				
Ash Caddy	4227 all models				



Matt Black



Matt Ivory



Midnight Blue Enamel



Laurel Green Enamel



Ivory Enamel



Brunel 1A in Matt Black burning logs.



Laurel Green Brunel 2CB
burning smokeless fuel.
Malmo surround also
by Stovax.



Matt Black Brunel 2CB
burning logs.



CAST IRON Brunel 2CB

If you have a little more space available then the Brunel 2CB will bring you the extra heating efficiency and economy of the Stovax Cleanburn System. In fact, this neat little stove incorporates all the state-of-the-art features you would expect from Stovax's advanced designs. For example, the stainless steel baffle warms up more quickly than cast iron so it starts working more rapidly, setting new standards in performance.

Key Facts

High efficiency	up to 78%
Multi-fuel (with external riddling)	✓
Ashpan	✓
Cleanburn (with stainless steel heat exchanger)	✓
Airwash	✓
Maximum heat output	6kW
Maximum log length	13" (330mm)
Longer leg option	✓
Boiler option	✗
Flue outlet	5" top or rear
Matching flue pipe in five colours	✓

Product Codes

Colour	Matt Black	Matt Ivory	Midnight Blue	Laurel Green	Ivory
Multi-fuel	7051	7051PI	7051BL	7051LG	7051IV
Ash Caddy	4227 all models				



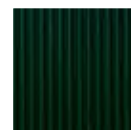
Matt Black



Matt Ivory



Midnight Blue Enamel



Laurel Green Enamel



Ivory Enamel





Midnight Blue Brunel 3CB burning logs.



CAST IRON Brunel 3CB

The largest stove in the Brunel range, the 3CB has an extensive window through which you can take pleasure from the swirling flames of the Stovax Cleanburn System. Again, this stove incorporates all of Stovax's state-of-the-art technical features such as the stainless steel baffle. Furthermore, with full multi-fuel capability and external riddling, the Brunel 3CB generates up to 7kW of heat for you to enjoy.

Key Facts

High efficiency	up to 83%
Multi-fuel (with external riddling)	✓
Ashpan	✓
Cleanburn (with stainless steel heat exchanger)	✓
Airwash	✓
Maximum heat output	7kW
Maximum log length	15 3/4" (400mm)
Longer leg option	✓
Boiler option	✗
Flue outlet	6" top or rear
Matching flue pipe in four colours	✓

Product Codes

Colour	Matt Black	Matt Ivory	Midnight Blue	Laurel Green
Multi-fuel	7053	7053PI	7053BL	7053LG
Ash Caddy	4228 all models			



Matt Black



Matt Ivory



Midnight Blue Enamel



Laurel Green Enamel





Matt Black Brunel 3CB with optional longer legs burning smokeless fuel.



Matt Black Huntingdon 25 with clear door burning logs. Pembroke surround and Chelsea cast front also by Stovax.



Midnight Blue Huntingdon 25 with tracery door burning logs.



CAST IRON Huntingdon 25

It may be the smallest stove in the Huntingdon range, but the Huntingdon 25 provides virtually all the features of larger models and is specially designed to suit everything from a country cottage to a modern townhouse. So it's ideal for burning logs yet is equally proficient with smokeless fuels or peat briquettes. In fact, the compact Huntingdon 25 is just the stove to bring you a picture of comfort this winter.

Key Facts

High efficiency	up to 78%
Multi-fuel (with external riddling)	✓
Approved for Smoke Control Areas*	✓
Tracery or clear door versions (matt black)	✓
Ashpan	✓
Airwash	✓
Maximum heat output	4.9kW
Maximum log length	9 ^{3/4} " (250mm)
Boiler option	✗
Flue outlet	5" top or rear
Matching flue pipe in three colours	✓

* When fitted with a Smoke Control Kit.

Product Codes

Colour	Matt Black	Midnight Blue	Laurel Green
Multi-fuel - tracery door	7058	7058BL	7058LG
Multi-fuel - clear door	7057	-	-
Ash Caddy	4227 all models		
Smoke Control Kit	H25SCKIT		



Matt Black



Midnight Blue Enamel



Laurel Green Enamel





Matt Black multi-fuel Huntingdon 28 with clear door burning logs.



CAST IRON

Huntingdon 28

With Gothic door mouldings complemented by reeded side panels, the Huntingdon 28 is an elegant piece of furniture in its own right. Ablaze, the very latest advances in stove design technology allow you to enjoy the movement of the flames to the full; especially as you can precisely adjust the flame picture via dual air controls.

Key Facts

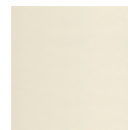
High efficiency	up to 82%
Multi-fuel (with external riddling)	✓
Tracery or clear door versions (matt black)	✓
Ashpan	✓
Cleanburn	✓
Airwash	✓
Concealed handles & hinges	✓
Maximum heat output	6kW
Maximum log length	12" (300mm)
Boiler option	✗
Flue outlet	5" top or rear
Matching flue pipe in five colours	✓

Product Codes

Colour	Matt Black	Matt Ivory	Midnight Blue	Laurel Green	Ivory
Multi-fuel - tracery door	7065	7065PI	7065BL	7065LG	7065IV
Multi-fuel - clear door	7064	-	-	-	-
Ash Caddy	4227 all models				



Matt Black



Matt Ivory



Midnight Blue Enamel



Laurel Green Enamel



Ivory Enamel



Matt Black multi-fuel Huntingdon 28
with tracery door burning logs.





Matt Black multi-fuel Huntingdon 30
with tracery door burning logs.



Ivory enamel multi-fuel Huntingdon 30 with tracery door burning logs.

CAST IRON

Huntingdon 30

The Huntingdon 30 combines refined styling with significant heating capacity, making it the ideal choice for many homes. Dual air levers, allowing you to select the amount of flame/glow and heat output to suit your needs, provide exacting control of combustion whilst there is also an external riddling feature to aid the efficient burning of smokeless fuels.

Key Facts

High efficiency	up to 82%
Multi-fuel (with external riddling)	✓
Tracery or clear door versions (matt black)	✓
Ashpan	✓
Cleanburn	✓
Airwash	✓
Concealed handles & hinges	✓
Maximum heat output	6kW
Maximum log length	12" (300mm)
Boiler option	✗
Flue outlet	6" top or rear
Matching flue pipe in five colours	✓

Product Codes

Colour	Matt Black	Matt Ivory	Midnight Blue	Laurel Green	Ivory
Multi-fuel - tracery door	7055	7055PI	7055BL	7055LG	7055IV
Multi-fuel - clear door	7054	-	-	-	-
Ash Caddy	4227 all models				



Matt Black



Matt Ivory



Midnight Blue Enamel



Laurel Green Enamel



Ivory Enamel





Woodburning Matt Black
Huntingdon 35 with tracery door.
Pembroke surround also by Stovax.



Multi-fuel Laurel Green Huntingdon 35 burning logs.



Huntingdon 35

Available in individual woodburning and multi-fuel versions, the clean, graceful lines of the Huntingdon 35 make this classic design look attractive even when it is not alight. The woodburning version has a solid cast iron base and no ashpan, as wood burns more efficiently on a bed of ash. The multi-fuel version also incorporates external riddling and dual air controls for accurate regulation of the flames and combustion.

Key Facts

High efficiency	up to 82%
Wood version	✓
Multi-fuel (with external riddling)	✓
Tracery or clear door versions (matt black)	✓
Ashpan	✓
Cleanburn	✓
Airwash	✓
Concealed handles & hinges	✓
Maximum heat output	7.5kW
Maximum log length	14" (350mm)
Shorter leg option	✓
Boiler option	✗
Flue outlet	6" top or rear
Matching flue pipe in five colours	✓

Product Codes

Colour	Matt Black	Matt Ivory	Midnight Blue	Laurel Green	Ivory
Wood - tracery door	7063	-	-	-	-
Multi-fuel - tracery door	7061	7061PI	7061BL	7061LG	7061IV
Multi-fuel - clear door	7060	-	-	-	-
Short legs (set of 4)	7090S	-	7090BLS	7090LGS	7090IVS
Ash Caddy	4227 all models				



Matt Black



Matt Ivory



Midnight Blue Enamel



Laurel Green Enamel



Ivory Enamel





Multi-fuel Midnight Blue Huntingdon 40 burning smokeless fuel. Sandringham limestone surround also by Stovax.



Matt Black multi-fuel Huntingdon 40 with clear door and optional short legs burning logs.

Huntingdon 40

The biggest model in the Huntingdon range – and the most powerful. With up to 9kW of heat output, the 40 is equally at home in both traditional inglenook and modern fireplace settings. You can choose from either the woodburning version with flat cast iron base plate or the multi-fuel version with external riddling and concealed ashpan. Also, do not forget to opt for matching flue pipe, particularly when installing your stove in an inglenook.

Key Facts

High efficiency	up to 88%
Wood version	✓
Multi-fuel (with external riddling)	✓
Tracery or clear door versions (matt black)	✓
Ashpan	✓
Cleanburn	✓
Airwash	✓
Concealed handles & hinges	✓
Maximum heat output	9kW
Maximum log length	15 ³ / ₄ " (400mm)
Shorter leg option	✓
Boiler option (for outputs see page 80)	✓ (3.5kW)
Flue outlet	6" top or rear
Matching flue pipe in four colours	✓

Product Codes

Colour	Matt Black	Matt Ivory	Midnight Blue	Laurel Green
Wood - tracery door	7069	-	-	-
Multi-fuel - tracery door	7075	7075PI	7075BL	7075LG
Multi-fuel - clear door	7074	-	-	-
Short legs (set of 4)	7090S	-	7090BLS	7090LGS
Steel Boiler	7094 all models			
Ash Caddy	4227 all models			



Matt Black



Matt Ivory



Midnight Blue Enamel



Laurel Green Enamel



Sheraton Stoves are available with optional longer legs, which increase the overall height from 23^{3/8}" (595mm) to 26^{5/8}" (677mm).





Sheraton stove with standard legs, burning logs.



CAST IRON

Sheraton

With clean classical lines and extra large thermal glass windows, the Sheraton is ideal for use in traditional or modern settings. Its rear flue exit will also fit into a standard British fireplace opening. The stove is offered with different grate and thermostat options and a matt black finish. The firebox has a large capacity and uses vermiculite fire bricks; these, together with the advanced aeration system, help to produce a very clean burn with lower environmental pollution. The aeration system also incorporates a very effective airwash system to keep the windows clean.

Key Facts

High efficiency	up to 84%
Woodburning version	✓
Multi-fuel (with external riddling)	✓
Ashpan	✓
Airwash	✓
Maximum heat output	8kW
Maximum log length	15 3/4" (400mm)
Longer leg option	✓
Boiler option	✗
Flue outlet	6" top or rear

Product Codes

Woodburning version	7016
Multi-fuel version (fixed grate/thermostat)	7017
Multi-fuel version (riddling grate/thermostat)	7027
Set of long legs	SH33x4
Ash Caddy	4228

The thermostat and extending riddling lever are discreetly located behind the stove. When not in use the extension slides out of sight, over the main riddling lever. The thermostat is also concealed behind the stove and only the control lever is visible from the front.



Matt Black

Large Regency with
brass rail set (3013)
burning logs.





Barbecue grill



Firescreen



Bean pot assembly

CAST IRON

Regency

Originally patented in 1742 by Benjamin Franklin, the Regency enjoys a pedigree unmatched by any other stove. It was designed at a time when America was still a British colony and its proportions were undoubtedly influenced by Franklin's extended visits to Georgian London. With the doors open and a fire burning, the Regency's large firebox produces the atmosphere of a traditional open fireplace.

The Regency is supplied in three sizes. A pair of polished brass balls are supplied with each stove and a brass rail set is available as an optional accessory. Cast into the side panel of every Regency is a support bracket into which an optional barbecue or bean pot may be fixed. Both of these are manufactured from cast iron and the bean pot is supplied complete with a swinging arm which fits into the support bracket.

Key Facts

Size	Small	Medium	Large
Multi-fuel	✓	✓	✓
Ashpan	✓	✓	✓
Max. heat output	6kW	7.5kW	9kW
Max. log length	16" (410mm)	19" (480mm)	23" (580mm)
Flue outlet	8" top or rear	8" top or rear	8" top or rear

Product Codes

Size	Small	Medium	Large
Multi-fuel	1000	1001	1002
Brass Rail Set	3041	3012	3013
Barbecue Grill	1008	1009	1009
Bean Pot Assembly	3027	3026	3026
Firescreen	3008	3008	3009
Ash Caddy	4230	4230	-



Medium Regency with doors closed



Matt Black



Small & Medium



Steel stoves

Wood and multi-fuel

Using cast iron for the airtight doors and main firebox components and heavy gauge steel for the body, the Stovax Stockton and View stove ranges combine the advantages of both steel and cast iron to produce exceptional performance, control over combustion and value for money.

Stockton Stoves

With eight sizes, each available in four colours, and some models having a further choice of door styles and canopies, there is a Stockton stove to suit any home. Furthermore, there are inset versions, double sided versions and even boiler versions, so whether traditional or modern, large or small, in country or town, burning wood or solid fuel you should find a Stockton to match your setting.

View Stoves

The View stoves are the latest additions to the Stovax ranges. Available in a choice of three freestanding sizes and an Inset version, the View offers high efficiency heating in ultimate style - perfect for more contemporary homes! You can even achieve whole house heating if you opt for View 7 Inset or View 8 High Output boiler versions, with the capability of supplying up to nine radiators as well as providing a cosy warmth to the room in which they are situated.

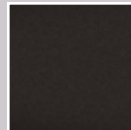
Stunning flame effects due to Cleanburn technology

The triple air systems incorporated in Stockton and View stoves combine to provide superb flame control and exceptional views of the fire, so you can also create different ambiances to suit your mood. From a deep glow, with minimal flames, it takes only a few seconds to fill the firebox with swirling flames.

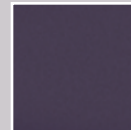




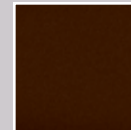
Stockton Colour Options



Matt Black



Metallic Blue

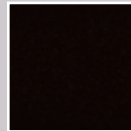


Metallic Brown



Metallic Green

View Colour



Midnight Black Metallic

Design Features

- 1 5mm heavy duty steel body.
- 2 Cast iron airtight door with primary air control lever.
- 3 Cast iron fireback incorporating heat exchanger for Cleanburn system.
- 4 Heated air jets from Cleanburn ports burn hydrocarbons in smoke.
- 5 Airwash control lever to maintain a cleaner glass window.
- 6 Riddling (multi-fuel versions).
- 7 Top or rear flue exit connecting to stove flue pipe.
- 8 Firebrick lining.
- 9 Boiler options for Stockton 8, 11 and 14. Specially developed, inset boiler versions of Stockton and View also available (not illustrated).
- 10 Universal tool (not illustrated). This fits over the stove handle to provide additional leverage and easier usage when the handle is hot.
- 11 Cleanburn air control ports (not illustrated). These are on the rear of the stove and pre-set in the factory.
- 12 Optional smoke control kit (not illustrated) available on most models to allow them to be used in smoke control areas.





STEEL

Stockton 3

The mini stove of the Stockton range is specifically designed to fit neatly into a standard 22" (560mm) high x 16" (405mm) wide British fireplace opening with the chairbrick removed. It has full multi-fuel capability and its compact dimensions make this stove equally suitable for houseboats, summerhouses and garden workshops.

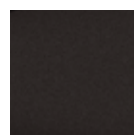
Key Facts

High efficiency	up to 86%
Multi-fuel (with external riddling)	✓
Approved for Smoke Control Areas*	✓
Cleanburn	✓
Airwash	✓
Flat top	✓
Maximum heat output	3.75kW
Maximum log length	7 7/8" (200mm)
No room vent required	✓
Boiler option	✗
Flue outlet	5" top or rear
Choice of four colours	✓

* When fitted with a Smoke Control Kit.

Product Codes

Colour	Matt Black	Metallic Blue	Metallic Brown	Metallic Green
Multi-fuel	7118	7118BL	7118BR	7118GR
Sparkguard	7223 all models			
Ash Caddy	4227 all models			
Smoke Control Kit	ST3SCKIT all models			



Matt Black



Metallic Blue



Metallic Brown



Metallic Green





Stockton 3 in Matt Black
burning logs.



Multi-fuel version of Stockton 4
in Matt Black burning logs.



Multi-fuel version of Stockton 4 in Matt Black burning logs. Shown in Stovax Alborg mantel.

STEEL

Stockton 4

Available in both woodburning and multi-fuel versions, the Stockton 4 is one of our most popular models. It is ideally suited to smaller rooms with either traditional or contemporary interiors.

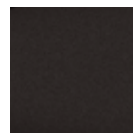
Key Facts

High efficiency	up to 85%
Multi-fuel (with external riddling)	✓
Wood	✓
Approved for Smoke Control Areas*	✓
Cleanburn	✓
Airwash	✓
Flat top	✓
Maximum heat output	4kW
Maximum log length	7 7/8" (200mm)
No room vent required	✓
Boiler option	✗
Flue outlet	5" top or rear
Choice of four colours	✓

* When fitted with a Smoke Control Kit.

Product Codes

Colour	Matt Black	Metallic Blue	Metallic Brown	Metallic Green
Wood version	7101	7101BL	7101BR	7101GR
Multi-fuel version	7102	7102BL	7102BR	7102GR
Sparkguard	7224 all models			
Ash Caddy	4227 all models			
Smoke Control Kit	ST3SCKIT all models			



Matt Black



Metallic Blue



Metallic Brown



Metallic Green





Multi-fuel Canopy version of Stockton 5 with external riddling. Shown here in Matt Black burning smokeless fuel.



STEEL

Stockton 5

The Stockton 5 offers you a squarer landscape style compared to the portrait style of the Stockton 3 or Stockton 4, and is available as either a woodburning stove or as a multi-fuel model with external riddling. The additional width allows you to load logs up to 13" (330mm) in length. Both the woodburning and multi-fuel versions are available with a low canopy.

Key Facts

High efficiency	up to 85%
Multi-fuel (with external riddling)	✓
Wood	✓
Approved for Smoke Control Areas*	7119, 7160, 7127
Cleanburn	✓
Airwash	✓
Flat top version	✓
Low canopy version	✓
Maximum heat output	4.9kW
Maximum log length	13" (330mm)
No room vent required	✓
Boiler option	✗
Flue outlet	5" top or rear
Choice of four colours	✓

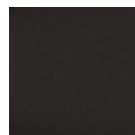
* When fitted with a Smoke Control Kit.

Product Codes

Colour	Matt Black	Metallic Blue	Metallic Brown	Metallic Green
Wood - flat top	7119	7119BL	7119BR	7119GR
Wood - low canopy	7160	7160BL	7160BR	7160GR
Multi-fuel kit	7108CE	7108CE	7108CE	7108CE
Multi-fuel - flat top	7127	7127BL	7127BR	7127GR
Multi-fuel - low canopy	7161	7161BL	7161BR	7161GR
Ash Caddy	4227 all models			
Sparkguard	7225 all models			
MF ¹ Smoke Control Kit	ST5MFCKIT all models			
WB ¹ Smoke Control Kit	ST5SCKIT all models			

¹MF - Multi-fuel models

¹WB - Woodburning models



Matt Black



Metallic Blue



Metallic Brown



Metallic Green





Multi-fuel version of Stockton 5 with external riddling. Shown here in Matt Black burning logs.



Stockton 5 Midline in Matt Black burning logs.



STEEL

Stockton 5 Midline

As an alternative to the standard Stockton 5, you can choose the Midline version. This design offers a slightly more integrated, contemporary slant that is particularly suited to modern interiors yet still provides all the benefits of the original model.

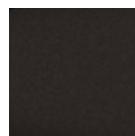
Key Facts

High efficiency	up to 85%
Multi-fuel (with external riddling)	✓
Approved for Smoke Control Areas*	✓
Cleanburn	✓
Airwash	✓
Flat top	✓
Maximum heat output	4.9kW
Maximum log length	13" (330mm)
No room vent required	✓
Boiler option	✗
Flue outlet	5" top or rear
Choice of four colours	✓

* When fitted with a Smoke Control Kit.

Product Codes

Colour	Matt Black	Metallic Blue	Metallic Brown	Metallic Green
Multi-fuel	7130	7130BL	7130BR	7130GR
Ash Caddy	4227 all models			
Sparkguard	7225 all models			
Smoke Control Kit	ST5MFCKIT all models			



Matt Black



Metallic Blue



Metallic Brown



Metallic Green



Stockton 5 Midline in Matt Black burning logs.



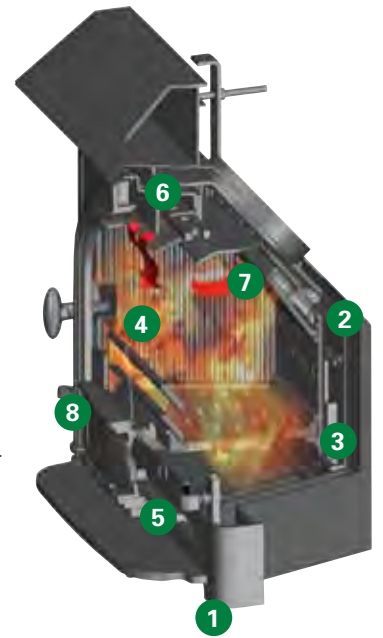


Stockton Milner.
Shown in Stovax Pembroke surround.



Design Features

- 1 5mm heavy duty steel body.
- 2 Easy fit.
- 3 Specifically designed for 16" or 18" Milner brick openings.
- 4 Cast Iron Side Panels.
- 5 Cast iron air-tight door with primary air control lever.
- 6 Airwash to maintain a cleaner glass window.
- 7 Heated air jets from Cleanburn ports burn hydrocarbons in smoke (internal).
- 8 External riddling lever.



STEEL Stockton Milner

The Stockton Milner has been specifically designed to fit into a 16" - 18" wide and 20" - 22" high fireplace without the Milner brick needing to be removed. This means that it can be easily secured and sealed into an existing chimney without the requirement for any building work making it cheaper to install. More efficient than an open fire, the Stockton Milner gives you greater control of combustion, more heat for your money and therefore lower fuel costs. Features of the Stockton Milner include, easy fitting, multi-fuel with external riddling, convection system, Cleanburn and Airwash.

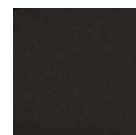
Key Facts

High efficiency	up to 76%
Multi-fuel (with external riddling)	✓
Approved for Smoke Control Areas*	✓
Cleanburn	✓
Airwash	✓
Maximum heat output	5kW
Maximum log length	9 7/8" (250mm)
Flue outlet	6" top

* When fitted with a Smoke Control Kit.

Product Codes

Multi-fuel	STMB
Sparkguard	7227
Ash Caddy	4227
Smoke Control Kit	STMBSCKIT



Matt Black



Metallic Blue



Metallic Brown



Metallic Green



Multi-fuel version of Stockton 6 in Matt Black burning logs.



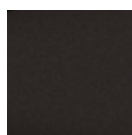
STEEL Stockton 6

The superb combination of size and heating capacity make the standard Stockton 6 particularly versatile. It is produced as a woodburning stove (easily adapted to multi-fuel use with the optional riddling grate kit) or as a dedicated multi-fuel version with external riddling. Alternatively, you can choose the multi-fuel Stockton 6 Highline version (see page 43) - a stove that provides an impressive focal point in kitchens and open plan rooms. All models also accept the optional 'clip-in' steel boiler. This will provide an abundant supply of domestic hot water during the winter months.

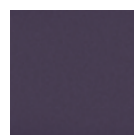
Key Facts

High efficiency	up to 80%
Multi-fuel (with internal riddling)	✓
Multi-fuel (with external riddling)	✓
Wood	✓
Approved for Smoke Control Areas*	✓
Cleanburn	✓
Airwash	✓
Flat top	✓
Maximum heat output	6kW
Maximum log length	9 7/8" (250mm)
Boiler option (for outputs see page 85)	✓
Flue outlet	5" top or rear
Choice of four colours	✓

* When fitted with a Smoke Control Kit.



Matt Black



Metallic Blue



Metallic Brown



Metallic Green



Multi-fuel version of Stockton 6
in Matt Black. Pembroke surround
also by Stovax.



The multi-fuel Stockton 6 Highline features external riddling, a handy warming shelf, wood store and extra large base plate. There is also a choice of colour matched tiles for the warming shelf.





STEEL Stockton 6 Highline

Product Codes - Standard version

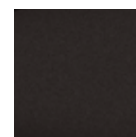
Colour	Matt Black	Metallic Blue	Metallic Brown	Metallic Green
Wood version	7100	7100BL	7100BR	7100GR
Multi-fuel kit	7110CE	7110CE	7110CE	7110CE
Multi-fuel version	7162	7162BL	7162BR	7162GR
Clip-in boiler	7206 all models			
Sparkguard	7226 all models			
Ash Caddy	4227 all models			
Smoke Control Kit	ST5SCKIT all models			

Product Codes - Highline version

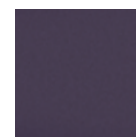
Colour	Matt Black	Metallic Blue	Metallic Brown	Metallic Green
Multi-fuel with external riddling	7117	7117BL	7117BR	7117GR
Clip-in boiler	7206 all models			
Sparkguard	7226 all models			
Ash Caddy	4227 all models			
Smoke Control Kit	ST5SCKIT all models			

Warming Shelf Tiles

Every Highline stove is supplied with a 3-tile set for the warming shelf, in a choice of 8 colours.



Matt Black



Metallic Blue



Metallic Brown



Metallic Green



Multi-fuel version of Stockton 7
in Matt Black.



Multi-fuel version of Stockton 7 in Metallic Brown.

STEEL Stockton 7

The Stockton 7 is beautifully proportioned and is a very popular model for medium to larger rooms. Not only an attractive piece of furniture, but when lit it also offers significant heating potential (up to 7kW) whether burning wood or solid fuel. When burning wood, it can take logs up to 12^{3/4}" (325mm) in length.

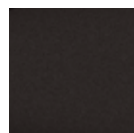
Key Facts

High efficiency	up to 80%
Multi-fuel (with internal riddling)	✓
Multi-fuel (with external riddling)	✓
Wood	✓
Approved for Smoke Control Areas*	✓
Cleanburn	✓
Airwash	✓
Flat top	✓
Maximum heat output	7kW
Maximum log length	12 ^{3/4} " (325mm)
Boiler option (for outputs see page 86)	✓
Flue outlet	6" top or rear
Choice of four colours	✓

* When fitted with a Smoke Control Kit.

Product Codes

Colour	Matt Black	Metallic Blue	Metallic Brown	Metallic Green
Wood version	7120	7120BL	7120BR	7120GR
Multi-fuel kit	7109CE	7109CE	7109CE	7109CE
Multi-fuel version	7163	7163BL	7163BR	7163GR
Clip-in boiler	7207 all models			
Sparkguard	7227 all models			
Ash Caddy	4227 all models			
Smoke Control Kit	ST5SCKIT all models			



Matt Black



Metallic Blue



Metallic Brown



Metallic Green

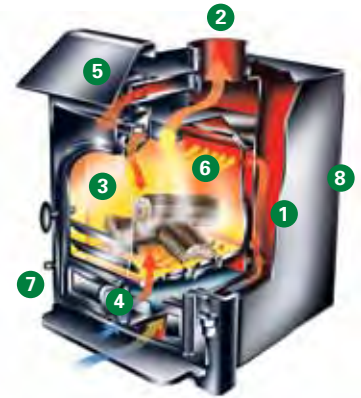




Stockton 7 Inset Convector with flat top, shown here in Matt Black burning logs.

Design Features

- 1 5mm heavy duty steel body.
- 2 Easy fit flue connection through stove.
- 3 High density, thermal brick liner system.
- 4 Cast iron air-tight door with primary air control lever.
- 5 Airwash control lever to maintain a cleaner glass window.
- 6 Heated air jets from Cleanburn ports burn hydrocarbons in smoke.
- 7 External riddling lever.
- 8 High output boiler version also available.



STEEL Stockton 7 Inset Convector

The Stockton range has been developed to offer you an inset convector fireplace with most of the heating advantages of a freestanding Stockton stove. With its cleverly designed Cleanburn and convection systems, the Stockton 7 Inset Convector is around 4 times more efficient than an open fire; giving you greater control of combustion, more heat for your money and lower fuel costs. There is also an integral boiler version which produces up to 30,000 BTU's of hot water (see pages 68 - 69).

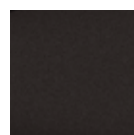
Key Facts

High efficiency	up to 87%
Multi-fuel (with external riddling)	✓
Approved for Smoke Control Areas*	✓
Cleanburn	✓
Airwash	✓
Radiant heat + convection systems	✓
Flat top and low canopy versions	✓
Maximum heat output	7kW
Maximum log length	12 3/4" (325mm)
Integral Boiler version (see page 86)	✓
Flue outlet	5" top
Choice of four colours	✓

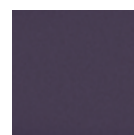
* When fitted with a Smoke Control Kit.

Product Codes

Colour	Matt Black	Metallic Blue	Metallic Brown	Metallic Green
Flat top	7125F	7125FBL	7125FBR	7125FGR
Low canopy	7125C	7125CBL	7125CBR	7125CGR
Sparkguard	7227 all models			
Ash Caddy	4227 all models			
Smoke Control Kit	ST5SCKIT all models			



Matt Black



Metallic Blue



Metallic Brown



Metallic Green



Stockton 7 Inset Convector with canopy top, shown here in Matt Black burning logs.



This multi-fuel version of the low canopy, single door Stockton 8 is fitted with the optional multi-fuel kit. The stove is shown here in Matt Black burning smokeless fuel.



STEEL Stockton 8

Little wonder the Stockton 8 is one of our best selling stoves, it offers you more choices and options than any other model. In particular, there is also a space-saving Slimline version (see page 51). This is 3" (75mm) less in depth and, in many cases, means building work will not be required to deepen a fireplace opening. Although shallower, it will still take logs up to 15^{3/4}" (400mm) long. The Stockton 8 is produced with a choice of single or double doors. The two door model is opened and closed with a handy cast iron tool (not shown) which locates over the keystone catch, and then rotates to open or close the doors. To complete its versatility, there is also an integral boiler version of the Stockton 8 which produces up to 34,000 BTUs of hot water (see pages 68 - 69).

Key Facts	Standard	Slimline
High efficiency	up to 81 %	
Wood	✓	✓
Multi-fuel kit	✓ riddling	✓ non riddling
Multi-fuel (with external riddling)	✓	✗
Cleanburn	✓	✓
Airwash	✓	✓
Flat top version	✓	✓
Low and high canopy versions	✓	✗
Single door version	✓	✗
Two door version	✓	✓
Integral boiler version (see pages 64-67)	✓	✗
Clip-in boiler option (for outputs see page 84)	✓	✗
Maximum heat output	8kW	7kW
Maximum log length	15 3/4" (400mm)	15 3/4" (400mm)
Flue outlet	6" top or rear	6" top or rear
Choice of four colours	✓	✓





Flat top, multi-fuel, two door version of Stockton 8 in Matt Black features external riddling.



Standard



Slimline

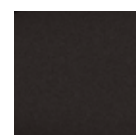
The Stockton 8 Slimline is 3" (75mm) less in depth.



STEEL Stockton 8

Product Codes - Standard version

Colour	Matt Black	Metallic Blue	Metallic Brown	Metallic Green
Wood - flat top, single door	7103	7103BL	7103BR	7103GR
Wood - low canopy, single door	7104	7104BL	7104BR	7104GR
Wood - high canopy, single door	7105	7105BL	7105BR	7105GR
Wood - flat top, two door [†]	7113	7113BL	7113BR	7113GR
Wood - low canopy, two door [†]	7113LC	7113LCBL	7113LCBR	7113LCGR
Wood - high canopy, two door [†]	7113HC	7113HCBL	7113HCBR	7113HCGR
Multi-fuel kit	7111CE all models			
Multi-fuel - flat top, two door	7128	7128BL	7128BR	7128GR
Clip-in boiler	7208 all models			
Sparkguard	7228 all models			
Ash Caddy	4228 all models			



Matt Black



Metallic Blue



Metallic Brown



Metallic Green

Product Codes - Slimline version

Colour	Matt Black	Metallic Blue	Metallic Brown	Metallic Green
Wood - flat top, two door [†]	7114	7114BL	7114BR	7114GR
Multi-fuel kit	7111SLCE all models			
Sparkguard	7228 all models			
Ash Caddy	4228 all models			

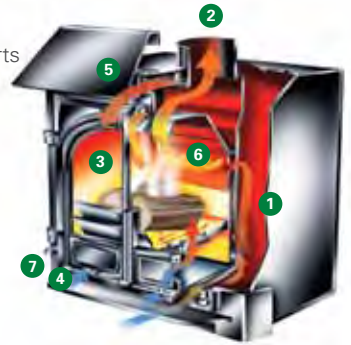
[†] Two door version - UK Registered Design Application No. 3001055.



Stockton 8 Inset Convector with flat top, shown here in Matt Black burning logs. Pembroke surround also by Stovax.

Design Features

- 1 5mm heavy duty steel body.
- 2 Easy fit flue connection through stove.
- 3 High density, thermal brick liner system.
- 4 Cast iron air-tight door with primary air control lever.
- 5 Airwash control lever to maintain a cleaner glass window.
- 6 Heated air jets from Cleanburn ports burn hydrocarbons in smoke.
- 7 External riddling lever.



STEEL Stockton 8 Inset Convector

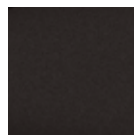
Not only will this convector fireplace provide impressive heating capacity compared to a standard open fireplace but it also offers you most of the benefits of our freestanding Stockton 8 Stoves. The Stockton 8 Inset is highly practical too. It has full multi-fuel capability with external riddling, double doors for easy loading/stoking and both Cleanburn and convection systems for greater heating efficiency, whilst the highly effective airwash facility helps ensure you enjoy a clearer view of the fire.

Key Facts

High efficiency	up to 84%
Multi-fuel (with external riddling)	✓
Cleanburn	✓
Airwash	✓
Radiant heat + convection systems	✓
Flat top and low canopy versions	✓
Maximum heat output	8kW
Maximum log length	15 3/4" (400mm)
Flue outlet	5" top
Choice of four colours	✓

Product Codes

Colour	Matt Black	Metallic Blue	Metallic Brown	Metallic Green
Flat top	7126F	7126FBL	7126FBR	7126FGR
Low canopy	7126C	7126CBL	7126CBR	7126CGR
Sparkguard	7228 all models			
Ash Caddy	4228 all models			



Matt Black



Metallic Blue



Metallic Brown



Metallic Green





Stockton 8 Inset Convector with canopy top, shown here in Matt Black burning logs.



STEEL

Stockton 11

With an impressive 11kW heat output, this is the largest stove in the Stockton range and is particularly suitable for sizeable living rooms, substantial inglenooks and open-plan barn conversions. The choice of flat top, low or high canopy, single or double door versions and four colour options, will provide you with the perfect combination for your home.

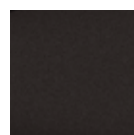
Key Facts

High efficiency	up to 76%
Multi-fuel (with internal riddling)	✓
Wood	✓
Cleanburn	✓
Airwash	✓
Flat top and low canopy versions	✓
Single and two door versions	✓
Maximum heat output	11kW
Maximum log length	19 1/2" (500mm)
Integral boiler option (see pages 68-69)	✓
Clip-in boiler option (see page 86)	✓
Flue outlet	7" top or rear
Choice of four colours	✓

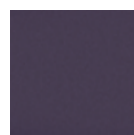
Product Codes

Colour	Matt Black	Metallic Blue	Metallic Brown	Metallic Green
Wood - flat top, single door	7106	7106BL	7106BR	7106GR
Wood - low canopy, single door	7106LC	7106LCBL	7106LCBR	7106LCGR
Wood - high canopy, single door	7106HC	7106HCBL	7106HCBR	7106HCGR
Wood - flat top, two door	7116	7116BL	7116BR	7116GR
Wood - low canopy, two door	7116LC	7116LCBL	7116LCBR	7116LCGR
Wood - high canopy, two door	7116HC	7116HCBL	7116HCBR	7116HCGR
Multi-fuel kit	7112 all standard models			
Clip-in boiler	7211 all standard models			
Cast grate extension*	7231 all standard models			
Ash Caddy	7221 all models			
Sparkguard	4228 all models			

*Only required if a boiler and multi-fuel kit are fitted together.



Matt Black



Metallic Blue



Metallic Brown



Metallic Green

Stockton 11 high canopy,
single door version in Matt Black.

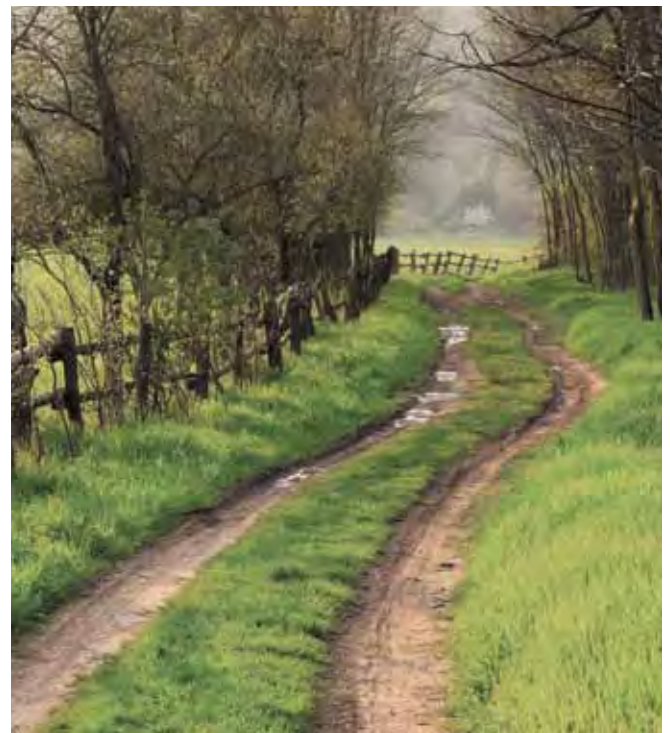


Stockton 11 Double high canopy
in Matt Black burning logs.





Stockton 8 Double flat top in Matt Black burning logs.



STEEL

Stockton Double Sided

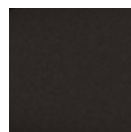
Enjoy twice the comfort and twice the view of your fire with a Stockton double sided stove. Using one central chimney, the doors to both the back and the front of the stove are designed to open into adjacent rooms. So, compared to individual stoves in each room, you have less work refuelling and even more of a focal point to your home.

There are two sizes of stove from which to choose – Stockton 8 Double and Stockton 11 Double. Although this double sided configuration does not allow the incorporation of full Cleanburn technology both stoves still include an airwash system to keep the glass clean. The smaller Stockton 8 Double will provide you with a significant heat output, up to 9kW, whilst the Stockton 11 Double produces an even more powerful 11kW. Otherwise, the two models have exactly the same specifications as their single sided equivalents.

Key Facts	8 Double	11 Double
High efficiency	up to 73%	up to 77%
Multi-fuel kit	✓	✓
Wood	✓	✓
Airwash	✓	✓
Maximum heat output	9kW	11kW
Maximum log length	15 3/4" (400mm)	19 3/4" (500mm)
Boiler option	✗	✗
Flue outlet	6" top	6" top
Choice of four colours	✓	✓

Product Codes

Colour	Matt Black	Metallic Blue	Metallic Brown	Metallic Green
8 Double wood - flat top	7113SD	7113SDBL	7113SDBR	7113SDGR
8 Double wood - high canopy	7113SDHC	7113SDHCBL	7113SDHCBR	7113SDHCGR
Multi-fuel kit	7111SDCE all models			
Sparkguard	7228 all models			
11 Double wood - flat top	7116SD	7116SDBL	7116SDBR	7116SDGR
11 Double wood - high canopy	7116SDHC	7116SDHCBL	7116SDHCBR	7116SDHCGR
Multi-fuel kit	7112SDCE all models			
Sparkguard	7221 all models			



Matt Black



Metallic Blue



Metallic Brown



Metallic Green



View 3 Multi-fuel burning logs, on stove bench 100 high.

STEEL

View 3

Offering a more contemporary slant to our wide choice of steel stoves is the new View range. Although designed to be installed into a standard 22" (560mm) high x 16" (405mm) wide opening with the chair brick removed, it is just as attractive freestanding on a hearth or stove bench. This compact View 3 stove offers you multi-fuel capacity and high efficiency heating. The beauty of this stove can be further enhanced by adding the new high-gloss flue pipe; see page 74 for further details.

Key Facts

High efficiency	up to 86%
Multi-fuel (with external riddling)	✓
Approved for Smoke Control Areas*	✓
Cleanburn	✓
Airwash	✓
Ceramic glass top (optional)	✓
Integral ceramic glass plinth	✓
Maximum heat output	3.75kW
Maximum log length	7 7/8" (200mm)
No room vent required	✓
Boiler option	✗
Flue outlet	5" top or rear
Stove bench compatible	✓

* When fitted with a Smoke Control Kit.

Product Codes

Multi-fuel	VW-3MF
Glass top plate (top flue exit)	VW-3GB
Glass top plate (rear flue exit)	VW-3GBR
Ash Caddy	4227
Smoke Control kit	VW-3SCKIT
Stove benches	See page 77



Midnight Black Metallic





View 3 Multi-fuel burning logs.

View 5 Woodburning on stove bench 100 high shown with gloss black flue pipe.





View 5 Multi-fuel burning logs.

View 5

With its the clean, crisp lines and modern styling, the View 5 offers a fresh alternative for today's interiors. It is available in two versions: woodburning only or multi-fuel. In addition, both versions can be enhanced by the optional glass top which provides even greater elegance for this versatile stove.

Key Facts

High efficiency	up to 85%
Multi-fuel (with external riddling)	✓
Wood	✓
Approved for Smoke Control Areas*	✓
Cleanburn	✓
Airwash	✓
Ceramic glass top (optional)	✓
Integral ceramic glass plinth	✓
Maximum heat output	4.9kW
Maximum log length	13" (330mm)
No room vent required	✓
Boiler option	✗
Flue outlet	5" top or rear
Stove bench compatible	✓

* When fitted with a Smoke Control Kit.

Product Codes

Wood	VW-5W
Multi-fuel	VW-5MF
Glass top plate (top flue exit)	VW-5GB
Glass top plate (rear flue exit)	VW-5GBR
Ash Caddy	4228
MF* Smoke Control Kit	VW-5MFCKIT
WB* Smoke Control Kit	VW-5SCKIT
Stove benches	See page 77

*MF – Multi-fuel model WB – Woodburning model



Midnight Black
Metallic

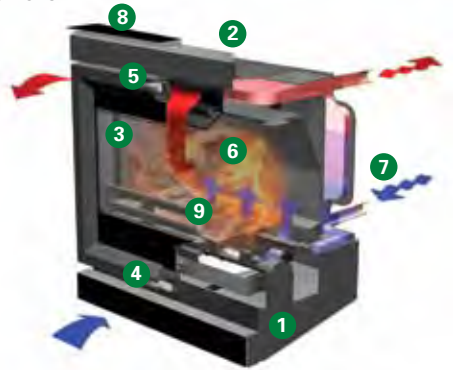




View 7 Inset Convector burning logs with optional glass top.

Design Features

- 1 5mm heavy duty steel body.
- 2 Easy fit flue connection through stove.
- 3 High density, thermal brick liner system.
- 4 Cast iron air-tight door with integrated primary air control slider.
- 5 Integrated Airwash control slider to maintain a cleaner glass window.
- 6 Heated air jets from Cleanburn ports burn hydrocarbons in smoke.
- 7 High output boiler version also available.
- 8 Optional top glass plate.
- 9 Riddling system.



View 7 Inset Convector

The contemporary View stoves range has been expanded to include an inset convector fireplace offering many of the heating advantages of a freestanding stove. Incorporating Stovax's exceptional Cleanburn and convection systems, the Multi-fuel View 7 Inset Convector provides up to 4 times more heating efficiency than a standard open fire; giving greater combustion control, increased heat outputs and lower fuel costs. An integral boiler version is also available, producing up to 30,000 BTU's of hot water (see pages 70 - 71).

Key Facts

High efficiency	up to 87%
Multi-fuel	✓
Approved for Smoke Control Areas*	✓
Cleanburn	✓
Airwash	✓
Radiant heat + convection systems	✓
Maximum heat output	7kW
Maximum log length	12 3/4" (325mm)
Integral Boiler version (see page 70)	✓
Flue outlet	5" top

* When fitted with a Smoke Control Kit.

Product Codes

Multi-fuel	VW-7NMF
Glass top plate	VW-7NGB
MF* Smoke Control Kit	VW-7SCKIT

*MF – Multi-fuel model



Midnight Black Metallic



Community Design Application
Number 001202600



View 7 Inset Convector burning logs with optional glass top.



View 8 Multi-fuel burning logs.

STEEL

View 8

The largest of the View range, the View 8 is designed to provide high efficiency heating for contemporary homes as well as creating an outstanding focal point for your living space. Choose from either the woodburning only model or the multi-fuel version, the latter incorporating a riddling grate to allow you to burn smokeless fuels. An optional glass top is also available to complement the glass on the plinth beneath the stove. An integral boiler version is also available, producing up to 34,000 BTU's of hot water (see pages 70 - 71).

Key Facts

High efficiency	up to 81%
Multi-fuel (with external riddling)	✓
Wood	✓
Cleanburn	✓
Airwash	✓
Ceramic glass top (optional)	✓
Integral boiler version available	✓
Integral ceramic glass plinth	✓
Maximum heat output	8.0kW
Maximum log length	15 3/4" (400mm)
Flue outlet	6" top or rear
Stove bench compatible	✓

Product Codes

Wood	VW-8W
Multi-fuel	VW-8MF
Glass top plate (top flue exit)	VW-8GB
Glass top plate (rear flue exit)	VW-8GBR
Ash Caddy	4228
Stove benches	See page 77



Midnight Black Metallic







Stockton 7HB Inset Boiler Stove.



Stockton 11HB Boiler Stove.

STEEL High Output Boiler Stoves

Four models (including the new Stockton 14 model shown on page 68) within the Stockton range, along with the View 7HBi and 8HB from the new contemporary View range, have been specifically designed to supply your domestic hot water and central heating requirements or augment your existing heating system via 'link up' technology. Whatever your choice, you will enjoy all the atmosphere of a real fire plus exceptional heating performance throughout your home.

When providing hot water and central heating, each stove is capable of feeding an average 8,000 BTU hot water cylinder and depending on the model, up to 19 radiators. The exact number of radiators will depend upon how many rooms you wish to heat and the sizes of those rooms. Radiators also come in a variety of sizes/capacities. For example, a typical 400mm high x 1000mm wide, single panel radiator requires 2500BTU/hr. You should always consult a qualified solid fuel heating engineer to ensure the stove can meet your requirements.

Alternatively, you can 'link up' a Stovax High Output Boiler with your existing or proposed heating system to reduce your reliance on gas or oil and help decrease

overall heating fuel costs. There are ways to link with conventional oil or gas central heating, gas or oil sealed heating systems, combi boilers, underfloor heating and even solar panels to provide flexible, cost-effective solutions. Stovax produces a 'link up' guide showing typical arrangements and covering some frequently asked questions. You may find it useful to download this from www.stovax.com/linkup before discussing your requirements with a qualified heating engineer.

All Stovax HB boiler stoves are designed for multi-fuel use and incorporate a riddling grate. This is because smokeless fuels tend to provide greater calorific values. Should you wish to reduce your CO₂ emissions then you can also burn a combination of smokeless fuels and logs together. However, if woodburning only is your preference, you can still achieve good performance but, as logs burn best with slightly different firebox characteristics, we recommend you purchase the optional log tray.



Stockton 8HB Boiler Stove.
When burning wood, the use of
the optional tray is recommended.

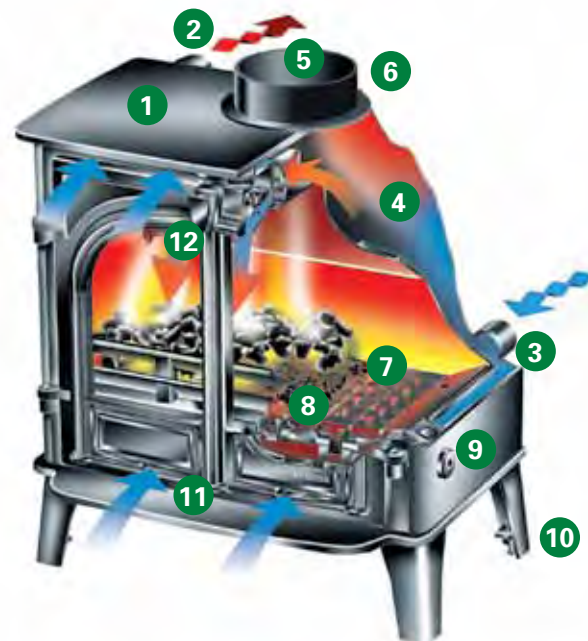




Stockton 14HB Boiler Stove.
When burning wood, the
use of the optional tray
is recommended.

Stockton Boiler Stoves Design Features

- 1 5mm and 10mm heavy duty steel body.
- 2 Excellent heat output to water when burning solid fuels or wood.
- 3 4 x 1" BSP boiler tappings for flexible, efficient connection to your hot water circuits.
- 4 Extensive water jacket on 4 sides for maximum transmission of heat to water.
- 5 Highly developed boiler flue baffle system ensures maximum heating efficiency.
- 6 Top or rear flue exit (7HBi top exit only).
- 7 Specially designed reciprocating grate ensures effective removal of ashes.
- 8 Large ash collection tray.
- 9 Discreet external riddling socket.
- 10 Levelling system in each foot to ensure complete stability on uneven surfaces.
- 11 Primary air controls to manually adjust the running temperatures.
- 12 Airwash helps to keep the glass clear and to control the running temperature when burning wood.
- 13 Optional thermostatic control to maintain desired running temperatures (not illustrated).
- 14 Optional woodburning tray (not illustrated).



STEEL Stockton Boiler Stoves

Stockton Boiler Stoves Key Facts	7HBi	8HB	11HB	14HB
Multi-fuel with external riddling	✓	✓	✓	✓
Airwash	✓	✓	✓	✓
Nominal heat output to room	4.0kW	4.9kW	7.0kW	7.0kW
Nominal heat output to boiler	7.4kW	8.2kW	11.0kW	15.0kW
Maximum system rating	8.8kW (30,000BTU)	10kW (34,000BTU)	13kW (45,000BTU)	18kW (62,000BTU)
Radiator capabilities - example No. of 2500BTU radiators + 8000BTU cylinder	8 radiators	9 radiators	15 radiators	19 radiators
Maximum log length	12 ^{3/4} " (325mm)	15 ^{3/4} " (400mm)	19 ^{1/2} " (500mm)	23 ^{1/2} " (600mm)
Optional log tray	✓	✓	✓	✓
Flue outlet	5" top	6" top or rear	6" top or rear	6" top or rear
Choice of four colours	✓	✓	✓	✓
Optional thermostat	✓	✓	✓	✓

Product Codes

Colour	Matt Black	Metallic Blue	Metallic Brown	Metallic Green
7HB - inset, low canopy	7125HB	7125HBBL	7125HBBR	7125HBGR
8HB - flat top	7113HB	7113HBBL	7113HBBR	7113HBGR
11HB - flat top	7116HB	7116HBBL	7116HBBR	7116HBGR
14HB - flat top	7314HB	7314HBBL	7314HBBR	7314HBGR
Thermostat - 7HB Inset	STATIN suitable for all colour options			
Thermostat - 8HB, 11HB & 14HB	STATST suitable for all colour options			
Woodburning tray 7HB Inset	7125WT suitable for all colour options			
Woodburning tray 8HB	7113WT suitable for all colour options			
Woodburning tray 11HB	7116WT suitable for all colour options			
Woodburning tray 14HB	7314WT suitable for all colour options			



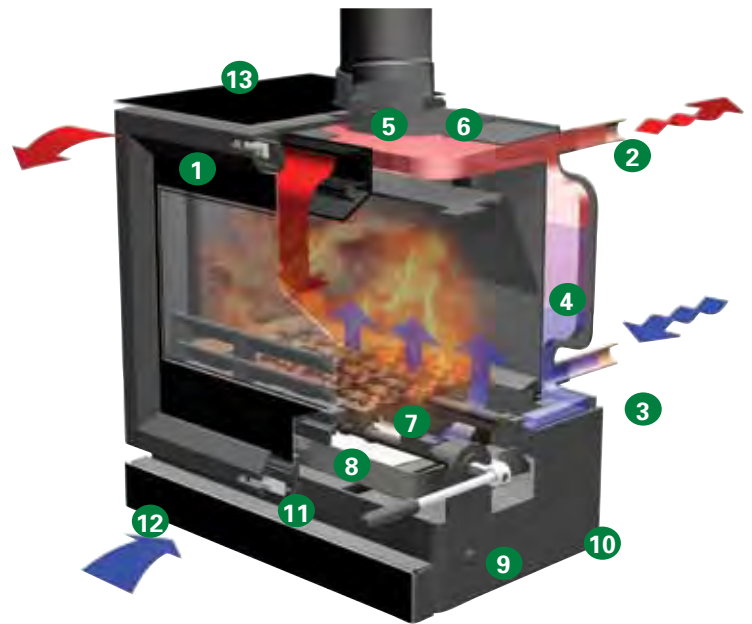
View 7HBi Boiler stove.
When burning wood the use of the optional wood tray is recommended.

View Boiler Stove Key Facts	7HBi	8HB
Multi-fuel with external riddling	✓	✓
Airwash	✓	✓
Nominal heat output to room	4.0kW	4.9kW
Nominal heat output to boiler	7.4kW	8.2kW
Maximum system rating	8.8kW (30,000BTU)	10.0kW (34,000BTU)
Radiator capabilities <i>example: Number of 2500BTU radiators + 8000BTU cylinder</i>	8 Radiators	8 Radiators
Maximum log length	12 ^{3/4} " (325mm)	15 ^{3/4} " (400mm)
Optional log tray	✓	✓
Flue outlet	5" Top	6" Top & Rear
Ceramic glass top	✓	✓
Integral ceramic glass plinth	✓	✓
Optional thermostat	✓	✓
Stove bench compatible	✗	✓

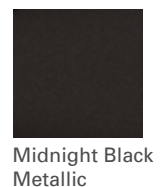
STEEL View Boiler Stoves

View Boiler Stove Design Features

- 1 5mm and 8mm heavy duty steel body.
- 2 Excellent heat output to water when burning solid fuels or wood.
- 3 4 x 1" BSP boiler tappings for flexible efficient connection to your hot water circuits.
- 4 Extensive water jacket on 4 sides of stove to ensure maximum transmission of heat to water.
- 5 Highly developed boiler flue baffle system to ensure maximum heating efficiency.
- 6 Top or rear flue exit.
- 7 Specially designed reciprocating grate ensures effective removal of ash from the fuel bed.
- 8 Large ash collection tray.
- 9 Discreet external riddling socket, with removable tool.
- 10 Levelling system to ensure complete stability on uneven surfaces.
- 11 Primary air controls to manually adjust the running temperatures.
- 12 Airwash helps to keep the glass clear and to control the running temperature when burning wood.
- 13 Optional glass top plates in top & rear flue.
- 14 Optional thermostatic control to maintain desired running temperatures (not illustrated).
- 15 Optional woodburning tray (not illustrated).
- 16 Stainless steel door handle, with self-locking function (not illustrated).



Product	Code
View 7HBi	VW-7NHB
View 8HB	VW-8HB
Thermostat - 7HBi	STATIN
Thermostat - 8HB	STATST
Woodburning tray - 7HBi	7125WT
Woodburning tray - 8HB	7113WT
Stove benches	See page 77





View 8HB Boiler stove.
When burning wood the use of the
optional wood tray is recommended.



Electric Huntingdon 30



Electric Marlborough

ELECTRIC

Electric Stoves

Several of the stoves in this brochure are also available as electric versions. Simply plug in and switch on for that 'real fire' look, brought alive with unique VeriFlame™ technology which provides a combination of flame speed and glow level. The individually hand-painted 'logs' perfectly mirror the atmosphere and attraction of a real woodburning stove.

Operation is simple too as the stove's remote control not only allows VeriFlame™ selection but also adjustment of the heat combinations. The amount of heat produced can be altered between 1kW and 2kW depending on the warmth required. You can even enjoy the flames without heat!

For more details, please see the 'Gas and Electric Stoves' brochure, or the new 'Electric Fires & Stoves' brochure which also features an exciting range of contemporary fires. Both brochures are from our sister company, Gazco, and can be requested from your retailer. Alternatively, you can view the complete range online by visiting www.gazco.com.





Electric Ashdon



Electric Steel Manhattan



Electric Clarendon



Electric Stockton 5



Flue Pipe

Matching Matt Black, Matt Ivory & Enamelled Flue Pipe

For the fully colour co-ordinated installation of your Brunel or Huntingdon stove and optimum performance, we offer high quality matt black, gloss black, matt ivory and coloured enamel flue pipes. Brunel 1A, Brunel 2CB, Huntingdon 25 and Huntingdon 28 connect to a 5" flue pipe, while the Brunel 3CB, Huntingdon 30, Huntingdon 35 and Huntingdon 40 connects to a 6" flue pipe. All components are listed in the table.

For Regency and Sheraton flue pipe, please refer to pages 80 - 81.

For View flue pipe, please refer to page 82 - 83.

For Stockton flue pipe, please refer to pages 84 - 90.

Owing to different production processes, we cannot guarantee a perfect match between pipe and stove.

Gloss Black Enamel Flue Pipe	Product Code
5" diameter, 1' straight no door	4500GB
5" diameter, 2' straight no door	4501GB
5" diameter, 3' straight no door	4502GB
5" diameter, 135° bend with door	4512GB
6" diameter, 1' straight no door	4600GB
6" diameter, 2' straight no door	4601GB
6" diameter, 3' straight no door	4602GB
6" diameter, 135° bend with door	4612GB

Matt Black Enamel	Matt Ivory	Midnight Blue Enamel	Laurel Green Enamel	Ivory Enamel
-------------------	------------	----------------------	---------------------	--------------

5" diameter

1' straight with door	4504	-	4504MBL	4504LG	4504IV
2' straight with door	4505	-	4505MBL	4505LG	4505IV
3' straight with door	4506	-	4506MBL	4506LG	4506IV
1' straight without door	4500	4500PI	4500MBL	4500LG	4500IV
2' straight without door	4501	4501PI	4501MBL	4501LG	4501IV
3' straight without door	4502	4502PI	4502MBL	4502LG	4502IV
1' 3" - 2' 1" (telescopic)	4542	-	4542MBL	4542LG	-
3' 4" - 4' 6" (telescopic)	4540	-	4540MBL	4540LG	-
Tee piece with end cap	4516	4516PI	-	-	-
135° bend with door	4512	-	-	-	-
110° bend with door	4513	-	-	-	-
90° bend with door	4514	-	-	-	-
150° bend with door	4522	-	-	-	-
135° bend without door	4537	4537PI	-	-	-
150° bend without door	4538	-	-	-	-

6" diameter

1' straight with door	4604	-	4604MBL	4604LG	4604IV
2' straight with door	4605	-	4605MBL	4605LG	4605IV
3' straight with door	4606	-	4606MBL	4606LG	4606IV
1' straight without door	4600	4600PI	4600MBL	4600LG	4600IV
2' straight without door	4601	4601PI	4601MBL	4601LG	4601IV
3' straight without door	4602	4602PI	4602MBL	4602LG	4602IV
1' 3" - 2' 1" (telescopic)	4642	-	4642MBL	4642LG	-
3' 4" - 4' 6" (telescopic)	4640	-	4640MBL	4640LG	-
Tee piece with end cap	4616	4616PI	-	-	-
135° bend with door	4612	-	-	-	-
110° bend with door	4613	-	-	-	-
90° bend with door	4614	-	-	-	-
150° bend with door	4622	-	-	-	-
135° bend without door	4637	4637PI	-	-	-
150° bend without door	4638	-	-	-	-

Multi-fuel version of Stockton 6
in Matt Black burning logs.





Accessories, stove care and important technical information

Care of Your Stove

To help you get the best performance from your stove and keep it in good condition, inside and out, Stovax offers a wide range of cleaning and maintenance products. Stovax also supply a wide variety of fireplace accessories. Your Stovax retailer will be able to give you full details or you may view the complete range at www.stovax.com.

Matt Ivory Stove Paint

Brunel and Huntingdon models, with the Matt Ivory paint colour option, require special attention when cleaning as they have been coated in a high quality paint finish that should give many years of service. However, this colour will mark more easily and require more cleaning than other models. Take care when touching the stove to avoid wiping ash and soot into the paint. Most marks can be removed using a mild soap solution and a clean lint free cloth. The finish can also be refreshed using the aerosol touch up paint (product code 2055) available from your Stovax retailer.

Allow your stove to cool thoroughly before any maintenance or cleaning is undertaken to avoid the risk of burns.

Product Improvement and Guarantee

Stovax pursues a policy of constant product improvement. Products supplied may therefore differ in specification from those illustrated or described in this brochure, and you should always check the final specification with your Stovax retailer.

Your Stovax retailer will provide you with a Two Year Warranty for your new stove. They will also provide a Five Year Casting* Warranty for all cast iron stoves and the cast iron door of steel stoves.

For these extended warranties to be valid your stove must have been installed in accordance with the manufacturer's instructions and the second and subsequent year's warranties are dependant on the appliance being serviced within 12 months of installation by an appropriately qualified engineer and annually thereafter. These warranties do not cover certain wearing parts or 'consumables' or the use of unauthorised fuels.

Full details of these warranties are set out to view on our website at www.stovax.com.

*Castings refers to the main carcass of cast iron stoves and the cast iron door in the case of steel stoves.

Important Technical Information

We recommend that a HETAS approved installer should undertake a site survey prior to purchase and it is a requirement that any Stovax Stove should be installed by an appropriately qualified HETAS approved installer.

All fires and stoves consume air as they burn. To comply with Building Regulations (Document J) you may need to install a fixed air vent to ensure adequate ventilation. Your Stovax retailer or HETAS installer will be able to advise on this.

You can also download detailed installation instructions prior to purchase from www.stovax.com.

Gas and Electric Stoves

There are gas and electric versions of some stoves produced by Stovax's sister company, Gazco. Please ask your retailer for details. Alternatively, telephone **01392 474061** or visit www.gazco.com for your free brochure.



Stove Benches

These versatile steel benches are compatible with the freestanding contemporary View stoves. With four widths and two heights, they offer infinitely greater design possibilities to accommodate your individual styling requirements. You can even use the space beneath for log storage!*

Design Features

- Sturdy steel construction
- Choice of 4 widths and 2 heights
- Durable matt black finish
- High: 450/1000/1200/1400 x 350 x 420mm (wxhxd)
- Low: 450/1000/1200/1400 x 250 x 420mm (wxhxd)
- Proportioned 60mm wide legs
- Allows for central or offset stove positioning

Key Facts

	Low	High
Stove Bench 45 [†]	RVACLB45B	RVACB45B
Stove Bench 100	RVACLB100B	RVACB100B
Stove Bench 120	RVACLB120B	RVACB120B
Stove Bench 140	RVACLB140B	RVACB140B

[†] Suitable for View 3 & 5 only.

* Logs are not to be stored directly beneath the stove position.



Dimensions and Flue Pipe

The flue pipe connects your stove to the existing/new chimney system. The chimney system must meet the requirements of Building Regulations (Document J) and the stove fitted in accordance with the detailed installation instructions provided with each unit. You may also download these instructions prior to purchase from www.stovax.com.

Brunel 1A

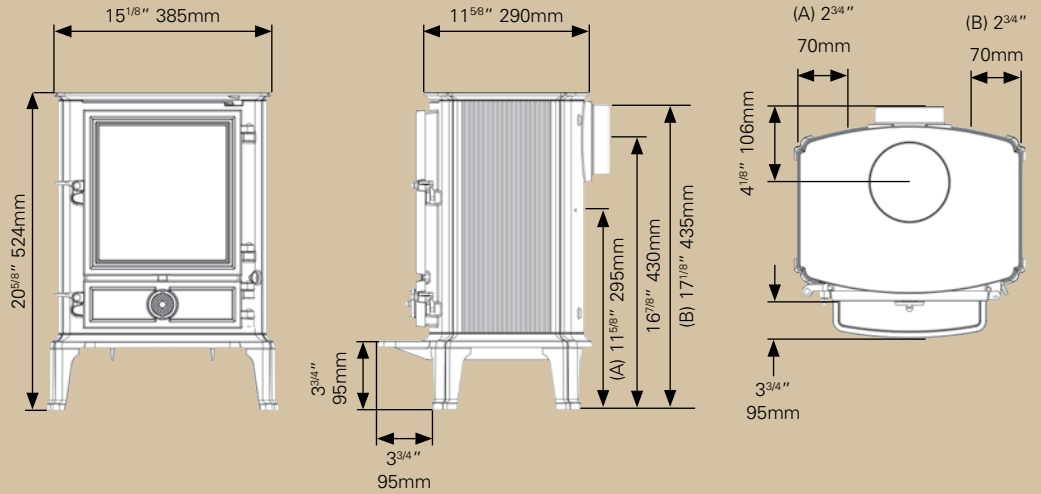
Weight: 62kg

Connects with 5" flue pipe using:

Size	With door	Without door
1' straight	4504	4500
2' straight	4505	4501
3' straight	4506	4502
1' 3" – 2' 1" (telescopic)		4542
3' 4" – 4' 6" (telescopic)		4540
Tee piece with end cap		4516

For coloured enamel flue pipe codes see page 74.

Maximum heat output:
To boiler 2.0kW (6,800 BTU's)
To room 2.0kW (6,800 BTU's)
Total 4kW (13,600 BTU's)



(A) and (B) Tapping points for boiler options.

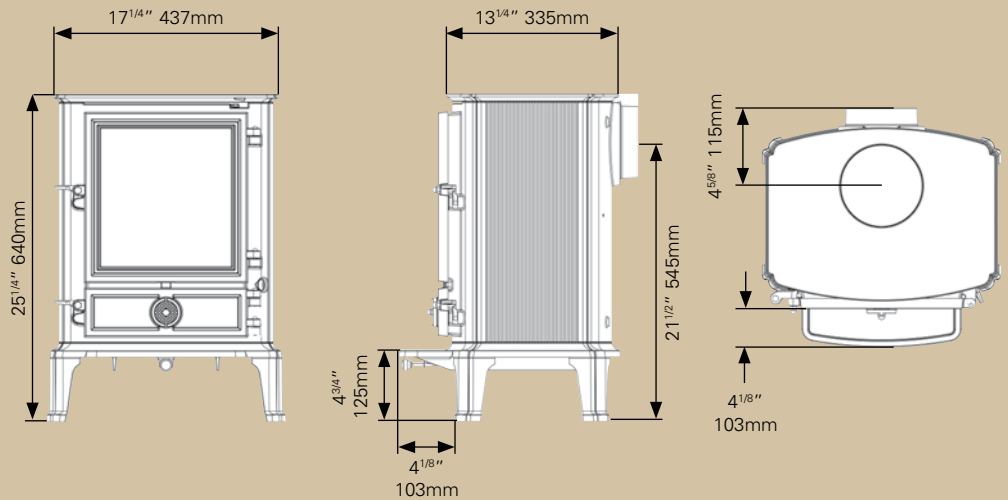
Brunel 2CB

Weight: 90kg

Connects with 5" flue pipe using:

Size	With door	Without door
1' straight	4504	4500
2' straight	4505	4501
3' straight	4506	4502
1' 3" – 2' 1" (telescopic)		4542
3' 4" – 4' 6" (telescopic)		4540
Tee piece with end cap		4516

For coloured enamel flue pipe codes see page 74.



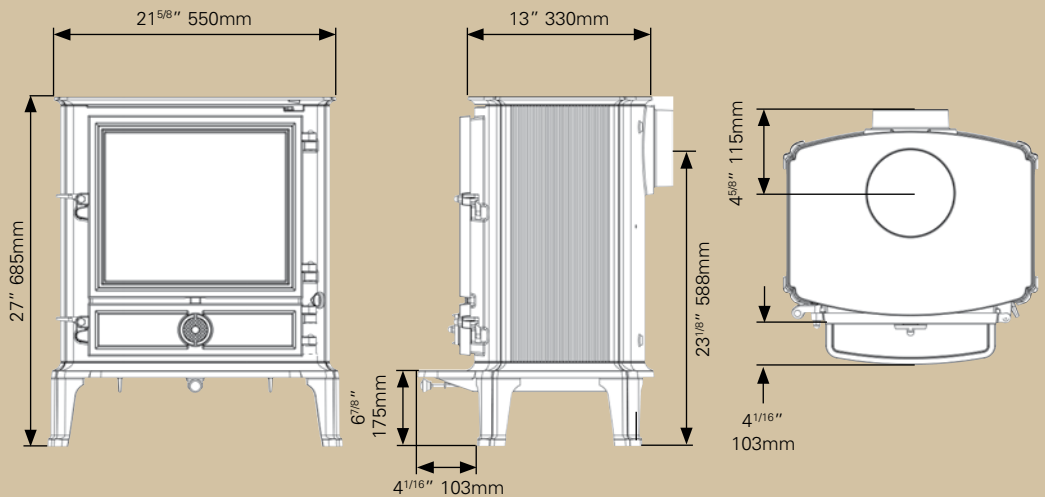
Brunel 3CB

Weight: 120kg

Connects with 6" flue pipe using:

Size	With door	Without door
1' straight	4604	4600
2' straight	4605	4601
3' straight	4606	4602
1' 3" – 2' 1" (telescopic)		4642
3' 4" – 4' 6" (telescopic)		4640
Tee piece with end cap		4616

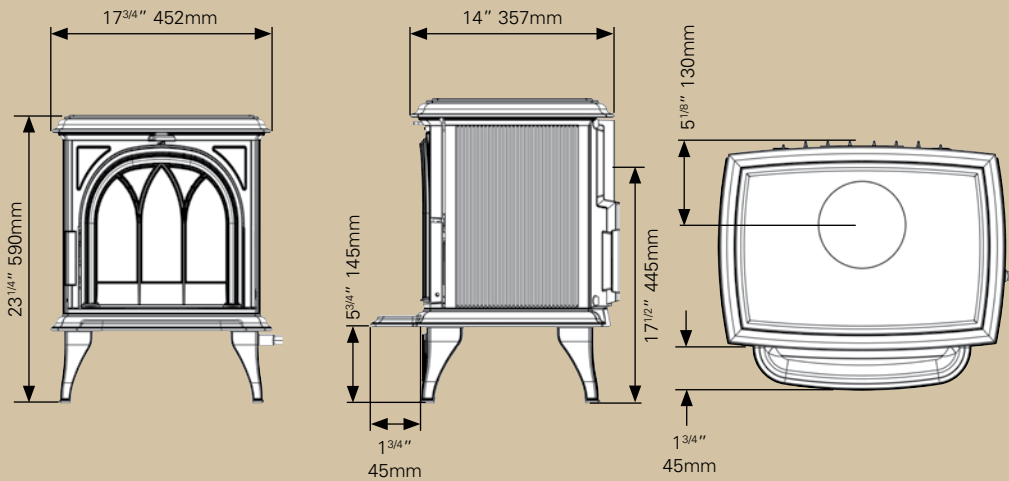
For coloured enamel flue pipe codes see page 74.



The information on these pages is to assist you in your choice of a suitable Stovax stove. This is not intended to be all the information required for installation. This information, along with minimum distances to combustible materials, can be obtained from your local Stovax retailer or you can download the full installation instructions from the website at www.stovax.com.

Weight: 98kg

Huntingdon 25



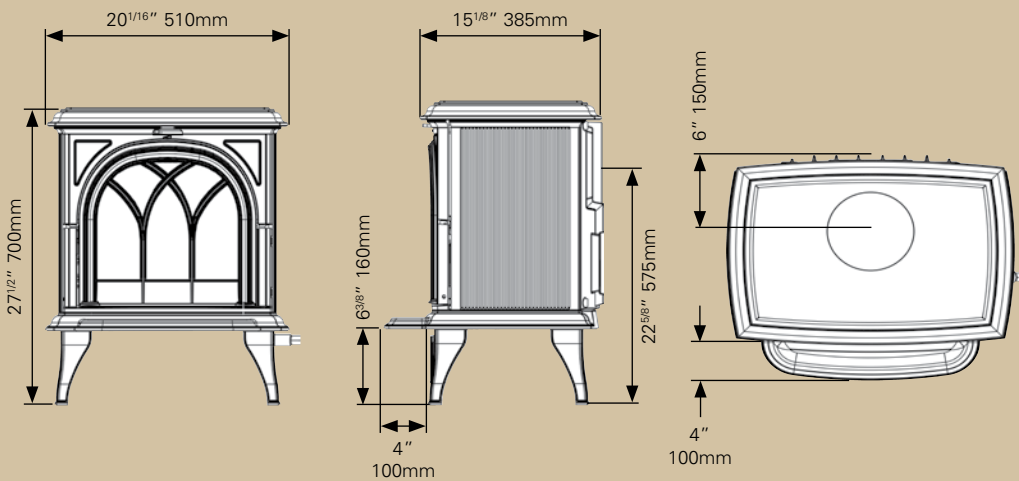
Connects with 5" flue pipe using:

Size	With door	Without door
1' straight	4504	4500
2' straight	4505	4501
3' straight	4506	4502
1' 3" – 2' 1" (telescopic)		4542
3' 4" – 4' 6" (telescopic)		4540
Tee piece with end cap		4516

For coloured enamel flue pipe codes see page 74.

Weight: 136kg

Huntingdon 28



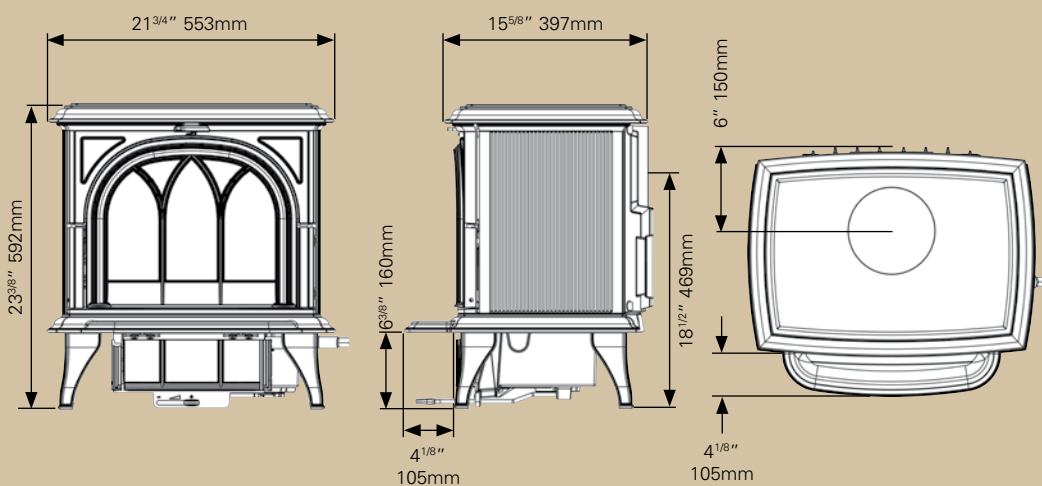
Connects with 5" flue pipe using:

Size	With door	Without door
1' straight	4504	4500
2' straight	4505	4501
3' straight	4506	4502
1' 3" – 2' 1" (telescopic)		4542
3' 4" – 4' 6" (telescopic)		4540
Tee piece with end cap		4516

For coloured enamel flue pipe codes see page 74.

Weight: 160kg

Huntingdon 30



Connects with 6" flue pipe using:

Size	With door	Without door
1' straight	4604	4600
2' straight	4605	4601
3' straight	4606	4602
1' 3" – 2' 1" (telescopic)		4642
3' 4" – 4' 6" (telescopic)		4640
Tee piece with end cap		4616

For coloured enamel flue pipe codes see page 74.

Dimensions and Flue Pipe

The flue pipe connects your stove to the existing/new chimney system. The chimney system must meet the requirements of Building Regulations (Document J) and the stove fitted in accordance with the detailed installation instructions provided with each unit. You may also download these instructions prior to purchase from www.stovax.com.

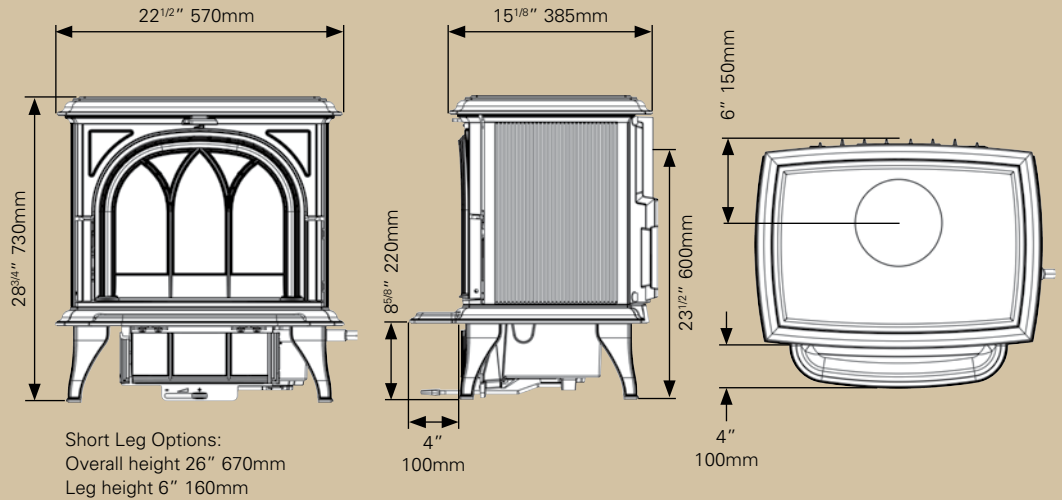
Huntingdon 35

Weight: 175kg

Connects with 6" flue pipe using:

Size	With door	Without door
1' straight	4604	4600
2' straight	4605	4601
3' straight	4606	4602
1' 3" – 2' 1" (telescopic)		4642
3' 4" – 4' 6" (telescopic)		4640
Tee piece with end cap		4616

For coloured enamel flue pipe codes see page 74.



Huntingdon 40

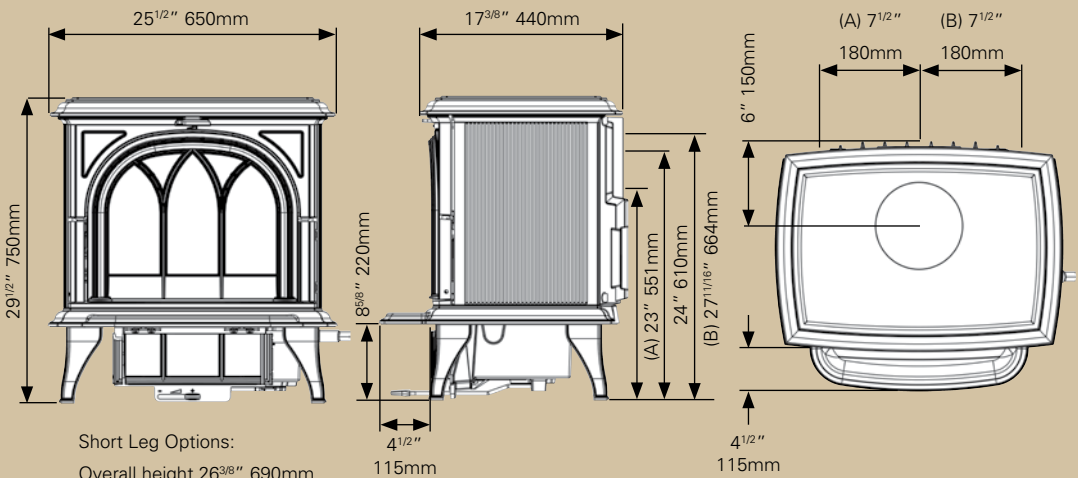
Weight: 180kg

Connects with 6" flue pipe using:

Size	With door	Without door
1' straight	4604	4600
2' straight	4605	4601
3' straight	4606	4602
1' 3" – 2' 1" (telescopic)		4642
3' 4" – 4' 6" (telescopic)		4640
Tee piece with end cap		4616

For coloured enamel flue pipe codes see page 74.

Maximum heat output:
To boiler 3.5kW (12,000 BTU's)
To room 5.5kW (18,800 BTU's)
Total 9kW (30,800 BTU's)





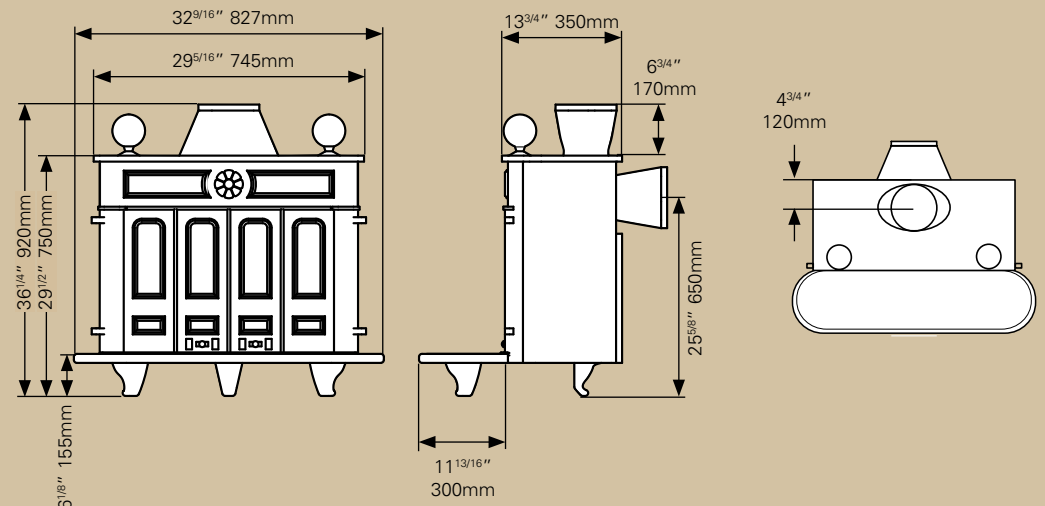
(A) and (B) Tapping points for boiler options.

Regency Small

Weight: 114kg

Connects with 8" flue pipe using:

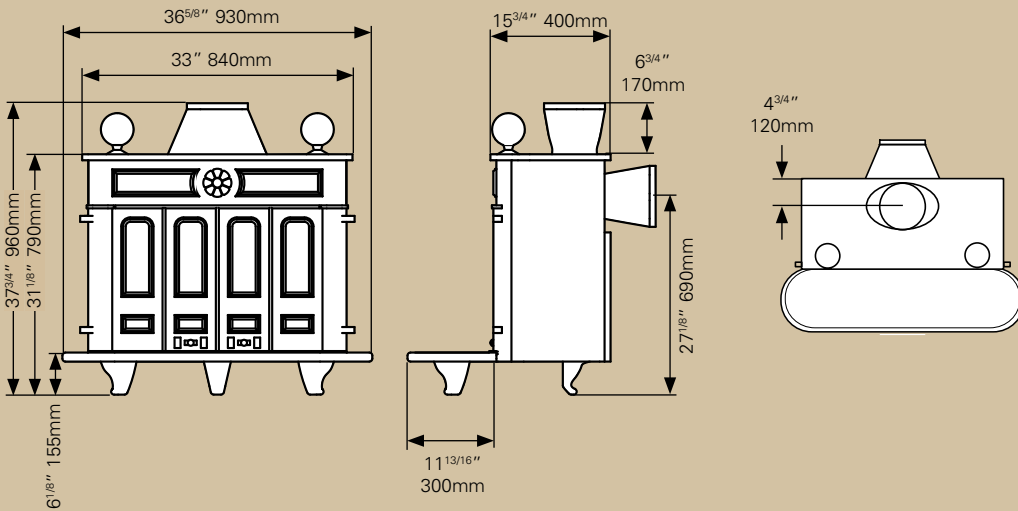
	Straight Double Socket
1': 4808	
2': 4809	
3': 4810	
	Double Tee Piece with end cap
4817	



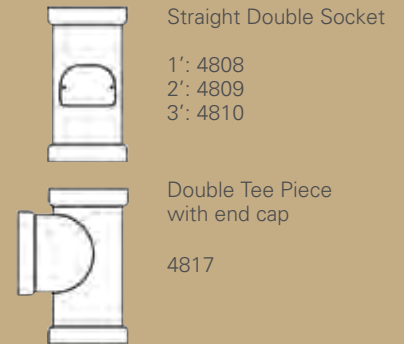
The information on these pages is to assist you in your choice of a suitable Stovax stove. This is not intended to be all the information required for installation. This information, along with minimum distances to combustible materials, can be obtained from your local Stovax retailer or you can download the full installation instructions from the website at www.stovax.com.

Weight: 136kg

Regency Medium

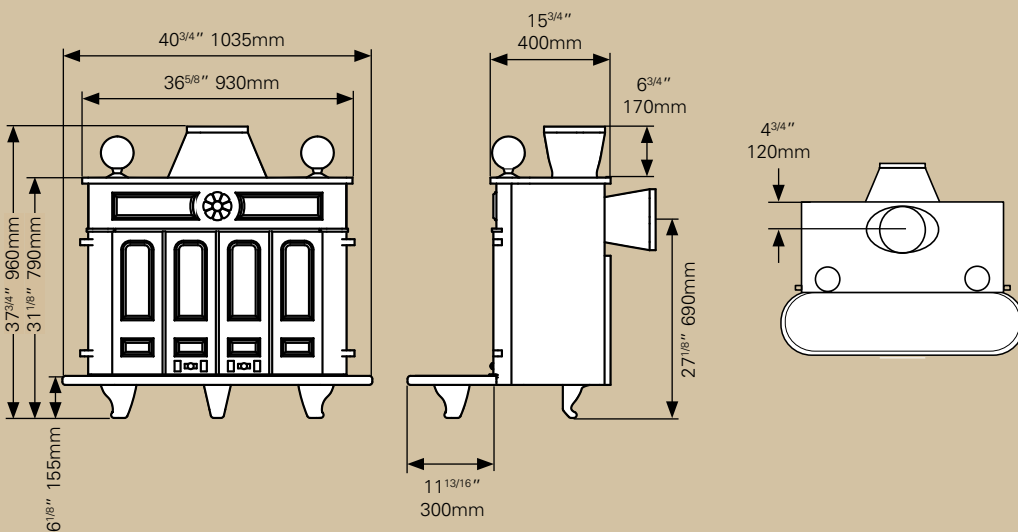


Connects with 8" flue pipe using:

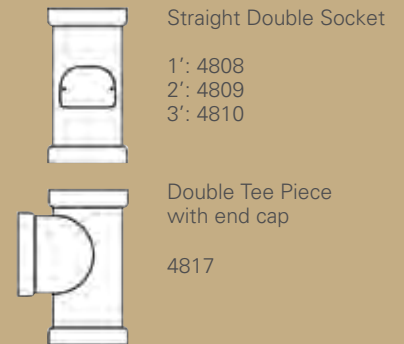


Weight: 150kg

Regency Large



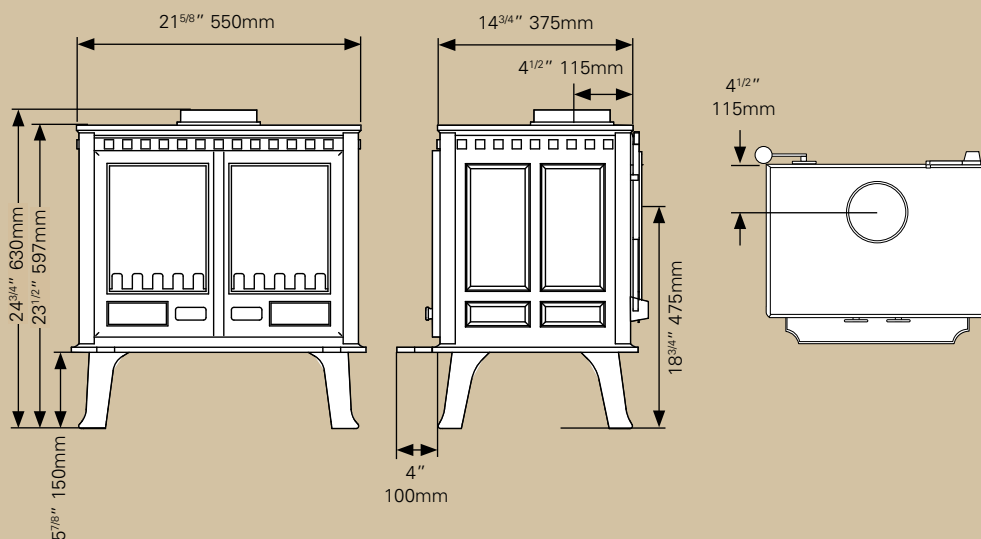
Connects with 8" flue pipe using:



Weight: 100kg

Sheraton

Connects with 6" flue pipe using:



Size	With door	Without door
1' straight	4604	4600
2' straight	4605	4601
3' straight	4606	4602
1' 3" – 2' 1" (telescopic)		4642
3' 4" – 4' 6" (telescopic)		4640
Tee piece with end cap		4616

Dimensions and Flue Pipe

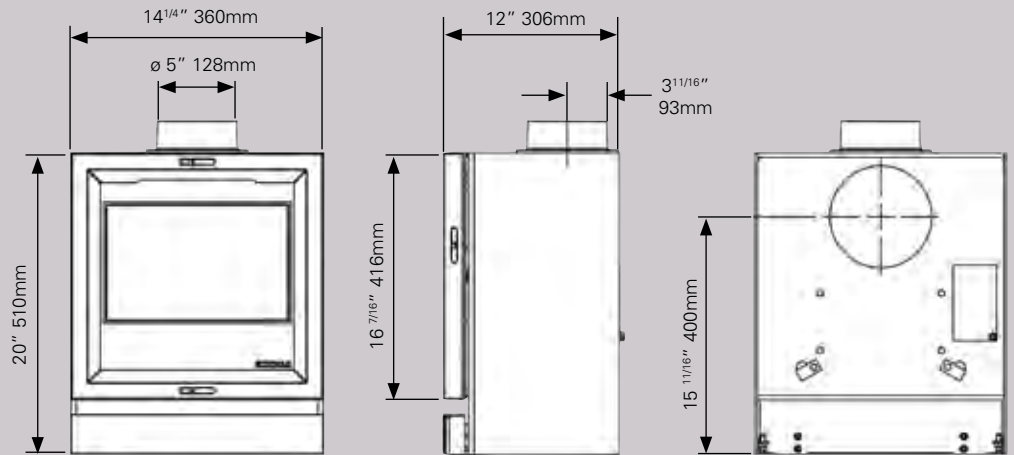
The flue pipe connects your stove to the existing/new chimney system. The chimney system must meet the requirements of Building Regulations (Document J) and the stove fitted in accordance with the detailed installation instructions provided with each unit. You may also download these instructions prior to purchase from www.stovax.com.

View 3

Weight: 76kg

Connects with 5" flue pipe using:

Size	With door	Without door
1' straight	4504	4500
2' straight	4505	4501
3' straight	4506	4502
1' 3" – 2' 1" (telescopic)		4542
3' 4" – 4' 6" (telescopic)		4540
Tee piece with end cap		4516

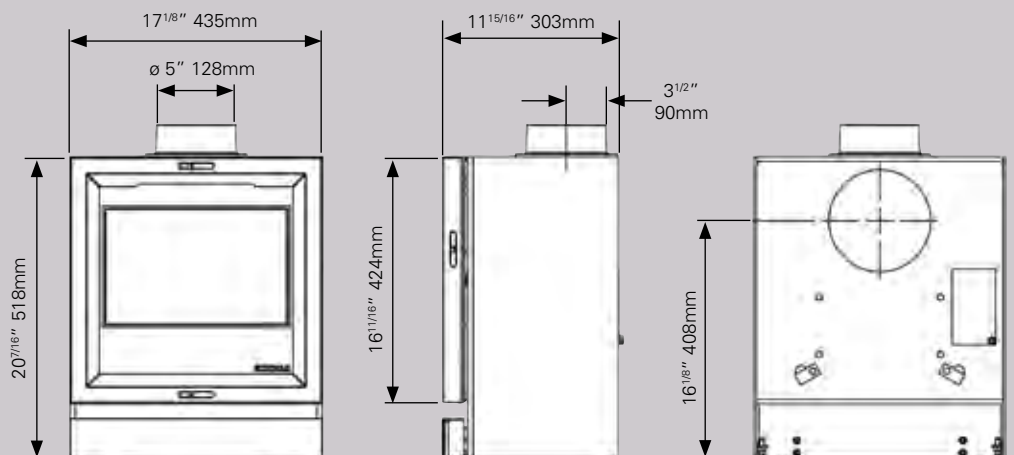


View 5

Weight: 120kg

Connects with 5" flue pipe using:

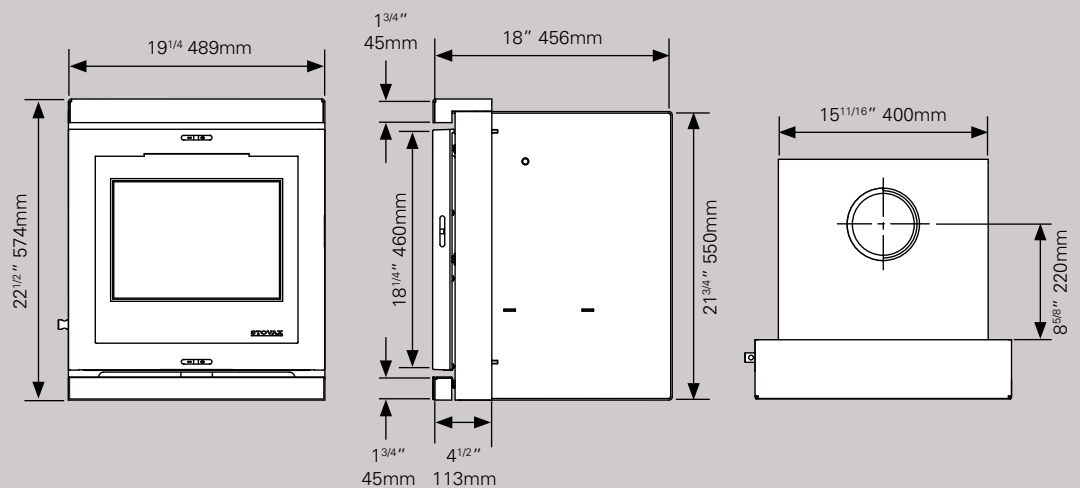
Size	With door	Without door
1' straight	4504	4500
2' straight	4505	4501
3' straight	4506	4502
1' 3" – 2' 1" (telescopic)		4542
3' 4" – 4' 6" (telescopic)		4540
Tee piece with end cap		4516



View 7 Inset Convector

Weight: 120kg

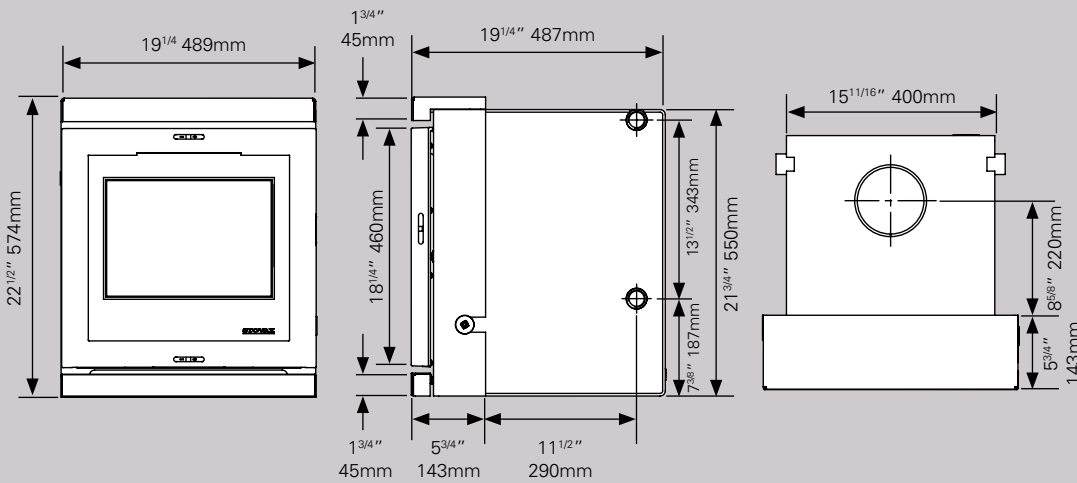
Connects to register plate, flexible flue liner or flue pipe. See installation instructions.



The information on these pages is to assist you in your choice of a suitable Stovax stove. This is not intended to be all the information required for installation. This information, along with minimum distances to combustible materials, can be obtained from your local Stovax retailer or you can download the full installation instructions from the website at www.stovax.com.

Weight: 137kg

View 7HB Inset Boiler

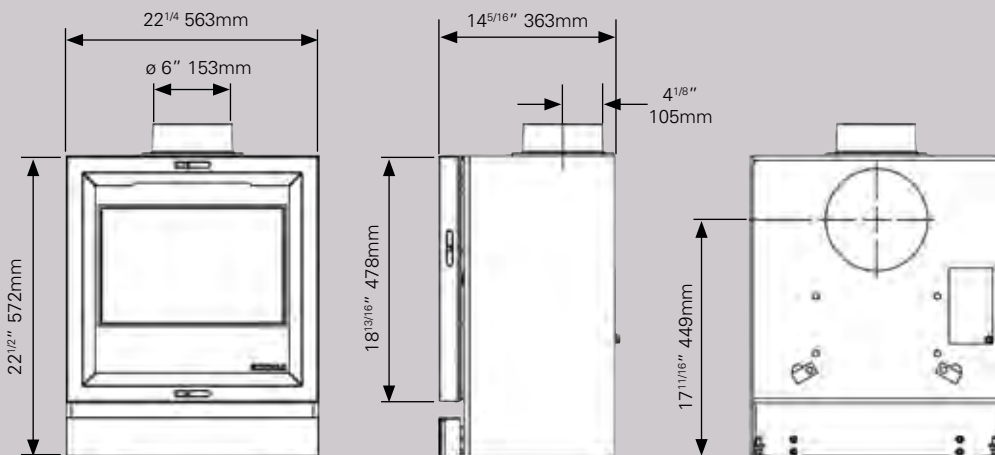


Connects to register plate, flexible flue liner or flue pipe. See installation instructions.

Maximum heat output:
 To boiler 7.4kW (25,200 BTU's)
 To room 4.0kW (13,600 BTU's)
 Total 11.4kW (38,800 BTU's)

Weight: 140kg

View 8

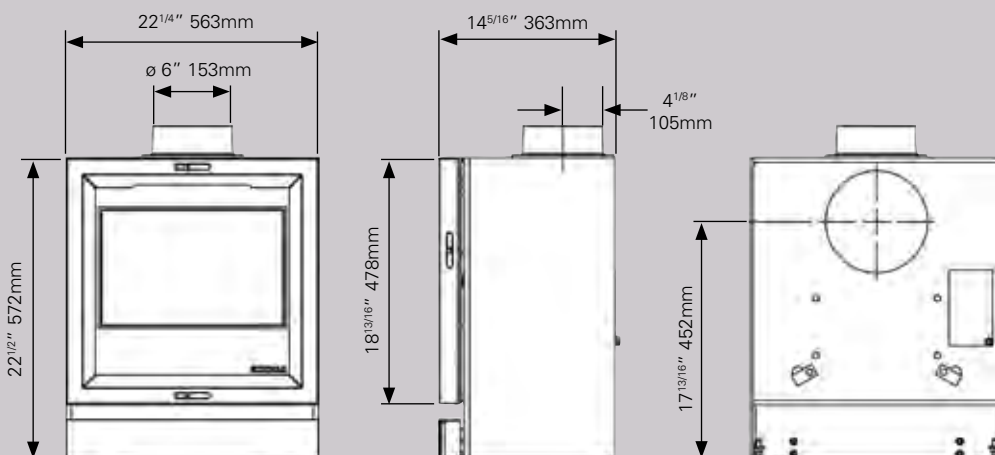


Connects with 6" flue pipe using:

Size	With door	Without door
1' straight	4604	4600
2' straight	4605	4601
3' straight	4606	4602
1' 3" - 2' 1" (telescopic)		4642
3' 4" - 4' 6" (telescopic)		4640
Tee piece with end cap		4616

Weight: 140kg

View 8HB



Connects with 6" flue pipe using:

Size	With door	Without door
1' straight	4604	4600
2' straight	4605	4601
3' straight	4606	4602
1' 3" - 2' 1" (telescopic)		4642
3' 4" - 4' 6" (telescopic)		4640
Tee piece with end cap		4616

Maximum heat output:
 To boiler 8.2kW (28,000 BTU's)
 To room 4.9kW (16,700 BTU's)
 Total 13.1kW (44,700 BTU's)

Dimensions and Flue Pipe

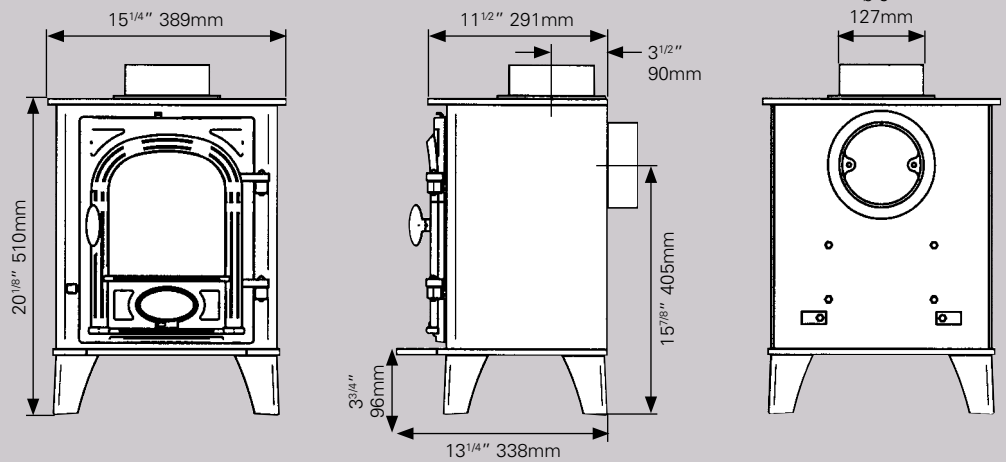
The flue pipe connects your stove to the existing/new chimney system. The chimney system must meet the requirements of Building Regulations (Document J) and the stove fitted in accordance with the detailed installation instructions provided with each unit. You may also download these instructions prior to purchase from www.stovax.com.

Stockton 3

Weight: 76kg

Connects with 5" flue pipe using:

Size	With door	Without door
1' straight	4504	4500
2' straight	4505	4501
3' straight	4506	4502
1' 3" - 2' 1" (telescopic)		4542
3' 4" - 4' 6" (telescopic)		4540
Tee piece with end cap		4516

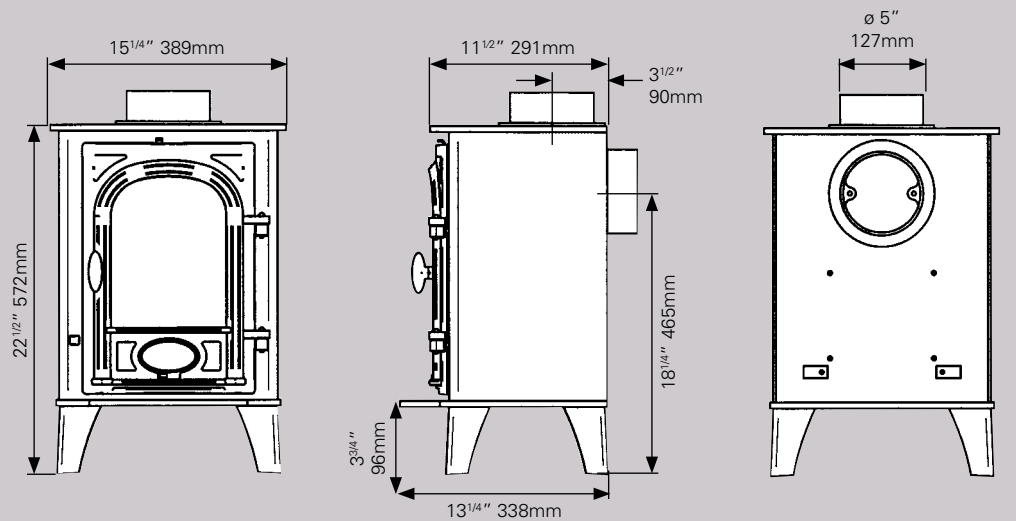


Stockton 4

Weight: 83kg

Connects with 5" flue pipe using:

Size	With door	Without door
1' straight	4504	4500
2' straight	4505	4501
3' straight	4506	4502
1' 3" - 2' 1" (telescopic)		4542
3' 4" - 4' 6" (telescopic)		4540
Tee piece with end cap		4516

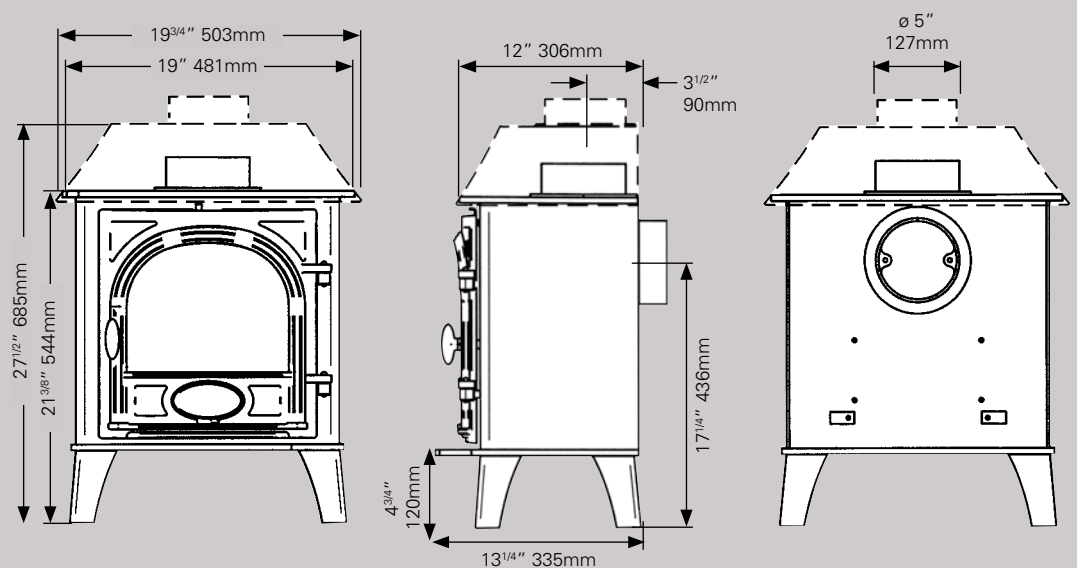


Stockton 5

Weight: 83kg - 90kg

Connects with 5" flue pipe using:

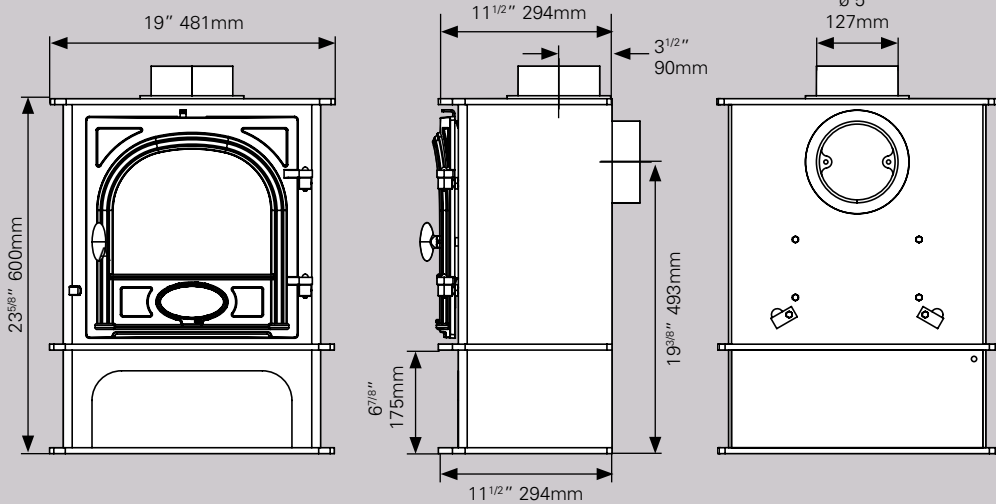
Size	With door	Without door
1' straight	4504	4500
2' straight	4505	4501
3' straight	4506	4502
1' 3" - 2' 1" (telescopic)		4542
3' 4" - 4' 6" (telescopic)		4540
Tee piece with end cap		4516



The information on these pages is to assist you in your choice of a suitable Stovax stove. This is not intended to be all the information required for installation. This information, along with minimum distances to combustible materials, can be obtained from your local Stovax retailer or you can download the full installation instructions from the website at www.stovax.com.

Weight: 100kg

Stockton 5 Midline

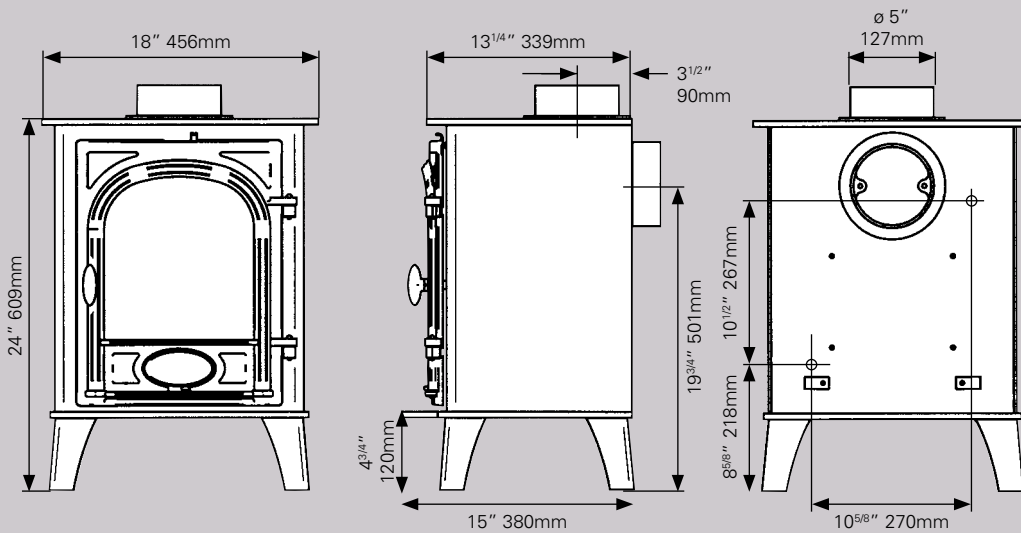


Connects with 5" flue pipe using:

Size	With door	Without door
1' straight	4504	4500
2' straight	4505	4501
3' straight	4506	4502
1' 3" - 2' 1" (telescopic)		4542
3' 4" - 4' 6" (telescopic)		4540
Tee piece with end cap		4516

Weight: 140kg

Stockton 6



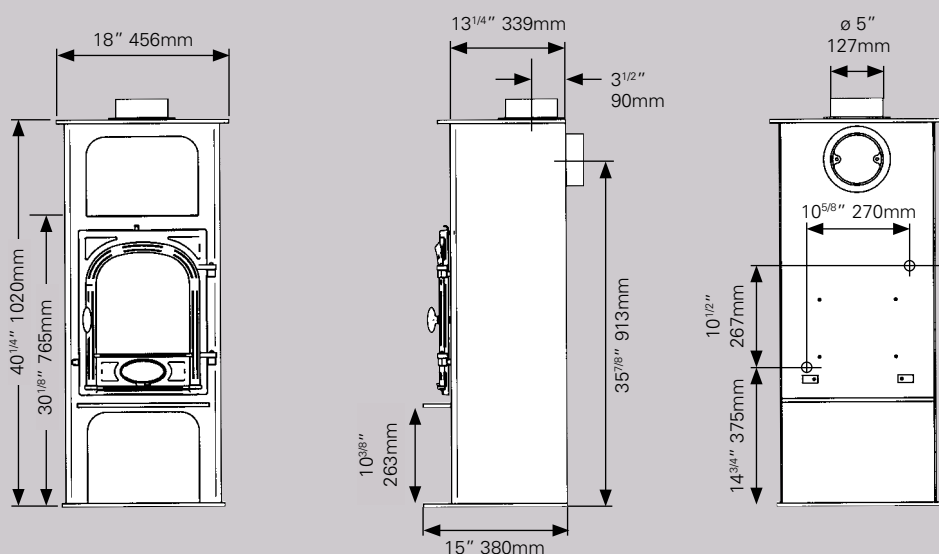
Connects with 5" flue pipe using:

Size	With door	Without door
1' straight	4504	4500
2' straight	4505	4501
3' straight	4506	4502
1' 3" - 2' 1" (telescopic)		4542
3' 4" - 4' 6" (telescopic)		4540
Tee piece with end cap		4516

Clip-in Boiler
 Maximum heat output:
 To boiler 2.9kW (10,000 BTU's)
 To room 3.1kW (10,400 BTU's)
 Total 6kW (20,400 BTU's)

Weight: 130kg

Stockton 6 Highline



Connects with 5" flue pipe using:

Size	With door	Without door
1' straight	4504	4500
2' straight	4505	4501
3' straight	4506	4502
1' 3" - 2' 1" (telescopic)		4542
3' 4" - 4' 6" (telescopic)		4540
Tee piece with end cap		4516

Clip-in Boiler
 Maximum heat output:
 To boiler 2.9kW (10,000 BTU's)
 To room 3.1kW (10,400 BTU's)
 Total 6kW (20,400 BTU's)

Dimensions and Flue Pipe

The flue pipe connects your stove to the existing/new chimney system. The chimney system must meet the requirements of Building Regulations (Document J) and the stove fitted in accordance with the detailed installation instructions provided with each unit. You may also download these instructions prior to purchase from www.stovax.com.

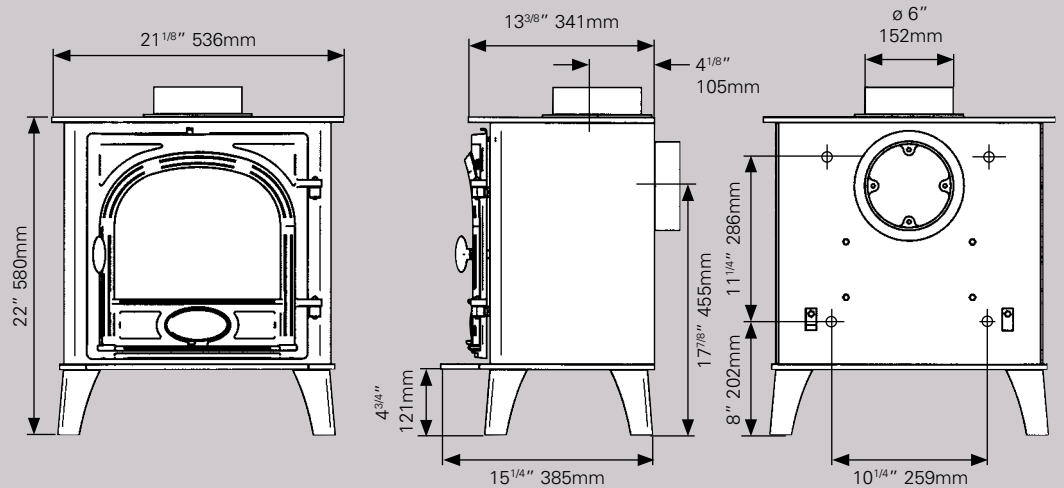
Stockton 7

Weight: 130kg

Connects with 6" flue pipe using:

Size	With door	Without door
1' straight	4604	4600
2' straight	4605	4601
3' straight	4606	4602
1' 3" – 2' 1" (telescopic)		4642
3' 4" – 4' 6" (telescopic)		4640
Tee piece with end cap		4616

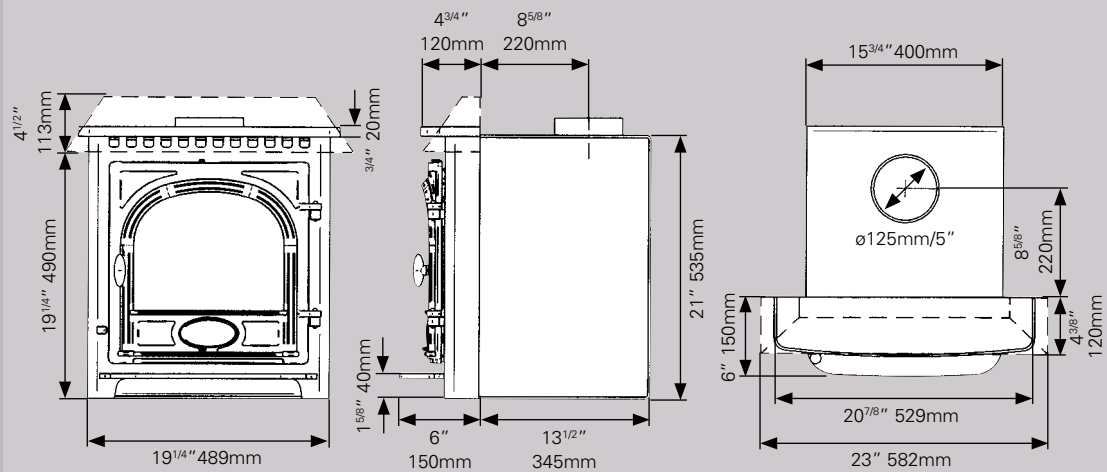
Clip-in Boiler
 Maximum heat output:
 To boiler 3.5kW (12,000 BTU's)
 To room 3.5kW (11,800 BTU's)
 Total 7kW (23,800 BTU's)



Stockton 7 Inset Convector

Weight: 120kg

Connects to register plate, flexible flue liner or flue pipe. See installation instructions.

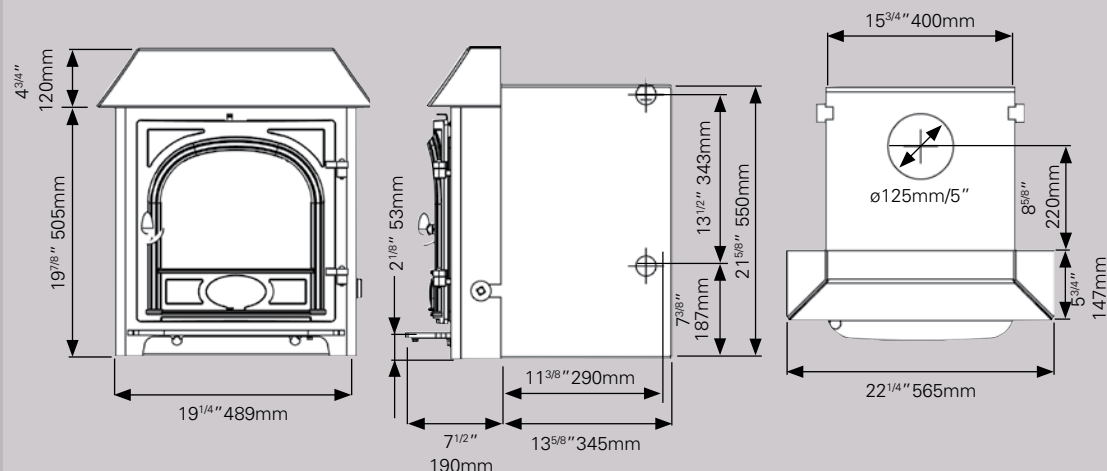


Stockton 7HB Inset Boiler

Weight: 130kg

Connects to register plate, flexible flue liner or flue pipe. See installation instructions.

Maximum heat output:
 To boiler 7.4kW (25,200 BTU's)
 To room 4.0kW (13,600 BTU's)
 Total 11.4kW (38,800 BTU's)

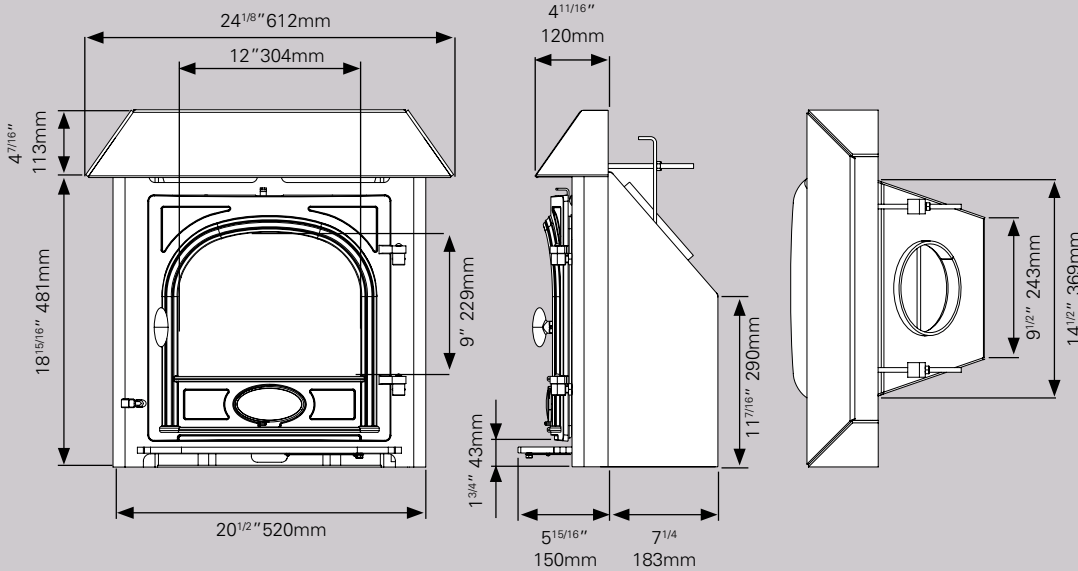


The information on these pages is to assist you in your choice of a suitable Stovax stove. This is not intended to be all the information required for installation. This information, along with minimum distances to combustible materials, can be obtained from your local Stovax retailer or you can download the full installation instructions from the website at www.stovax.com.

Weight: 90kg

Stockton Milner

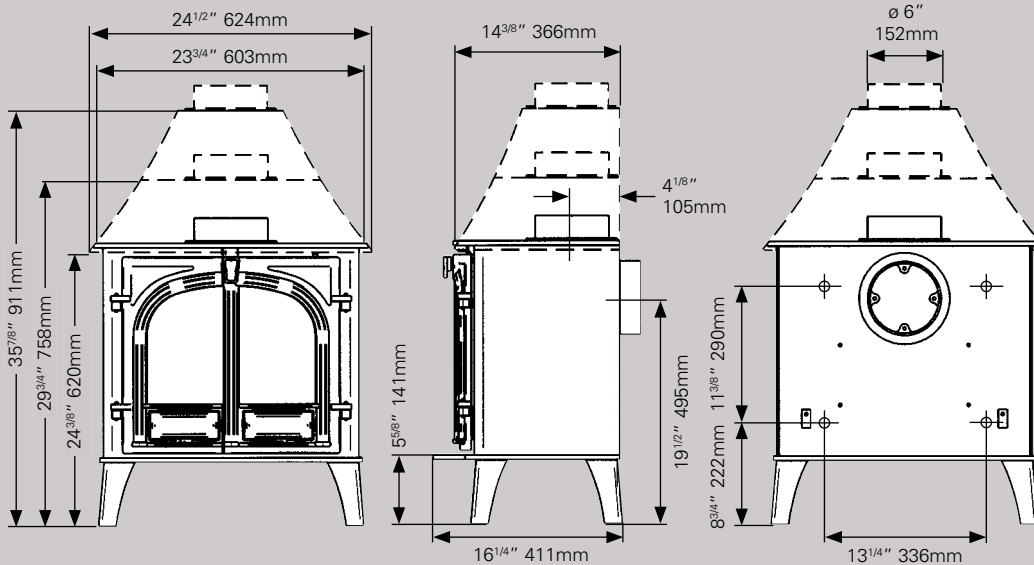
Fits into existing Milner fireback. See installation instructions.



Weight: 120kg

Stockton 8

Connects with 6" flue pipe using:



Size	With door	Without door
1' straight	4604	4600
2' straight	4605	4601
3' straight	4606	4602
1' 3" – 2' 1" (telescopic)		4642
3' 4" – 4' 6" (telescopic)		4640
Tee piece with end cap		4616

Maximum heat output for single and 2 door with 'clip-in' boiler:
 To boiler 4.4kW (15,000 BTU's)
 To room 3.6kW (12,200 BTU's)
 Total 8kW (27,200 BTU's)

Maximum heat output for single and 2 door with integral boiler:*

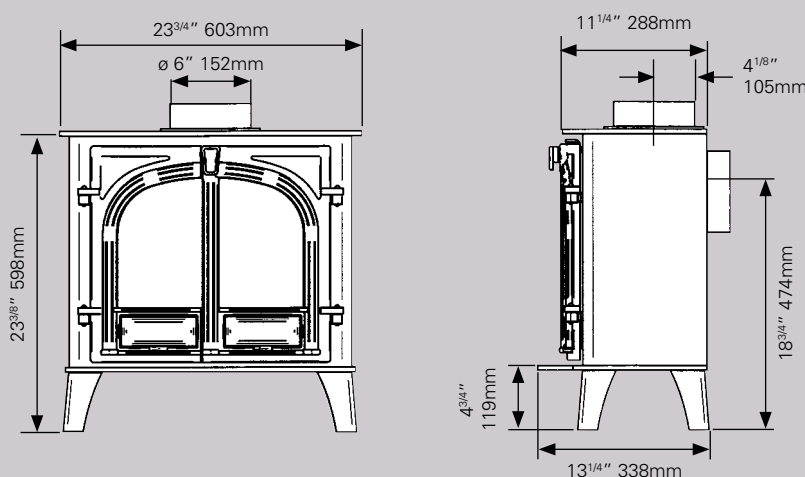
To boiler 4kW (13,600 BTU's)
 To room 4kW (13,600 BTU's)
 Total 8kW (27,400 BTU's)

* Whilst stocks last

Weight: 120kg

Stockton 8 Slimline 2 Door

Connects with 6" flue pipe using:

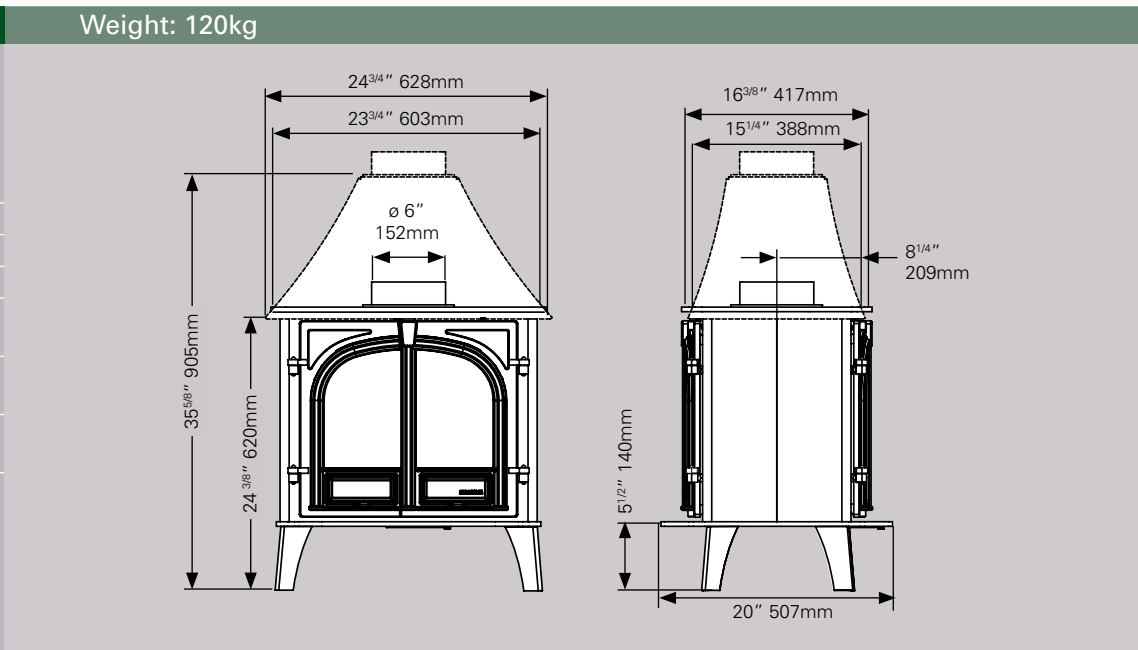


Size	With door	Without door
1' straight	4604	4600
2' straight	4605	4601
3' straight	4606	4602
1' 3" – 2' 1" (telescopic)		4642
3' 4" – 4' 6" (telescopic)		4640
Tee piece with end cap		4616

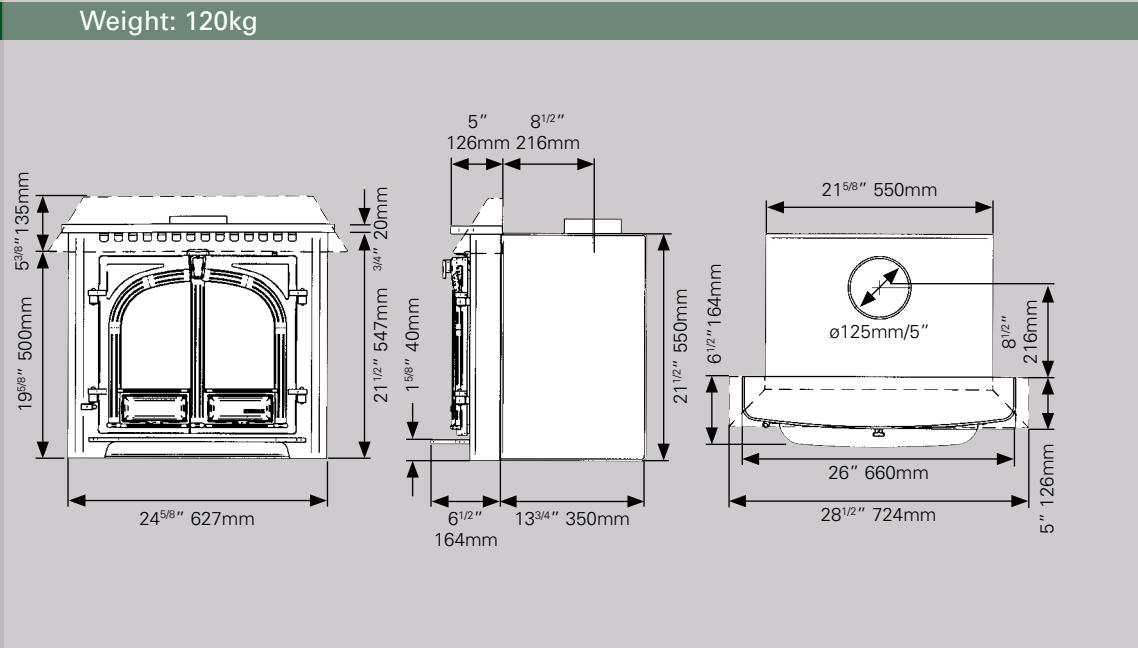
Dimensions and Flue Pipe

Flue pipe connects your stove to the existing/new chimney system. The chimney system must meet the requirements of Building Regulations (Document J) and the stove fitted in accordance with the detailed installation instructions provided with each unit. You may also download these instructions prior to purchase from www.stovax.com.

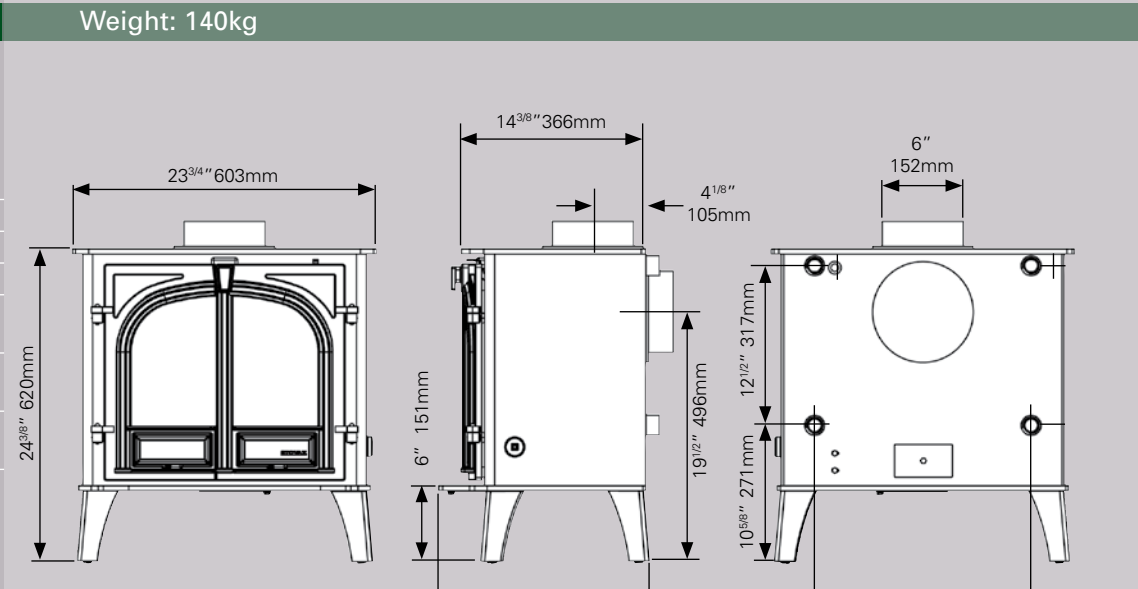
Stockton 8 Double Sided		
Connects with 6" flue pipe using:		
Size	With door	Without door
1' straight	4604	4600
2' straight	4605	4601
3' straight	4606	4602
1' 3" – 2' 1" (telescopic)		4642
3' 4" – 4' 6" (telescopic)		4640
Tee piece with end cap		4616



Stockton 8 Inset Convector		
Connects to register plate, flexible flue liner or flue pipe. See installation instructions.		



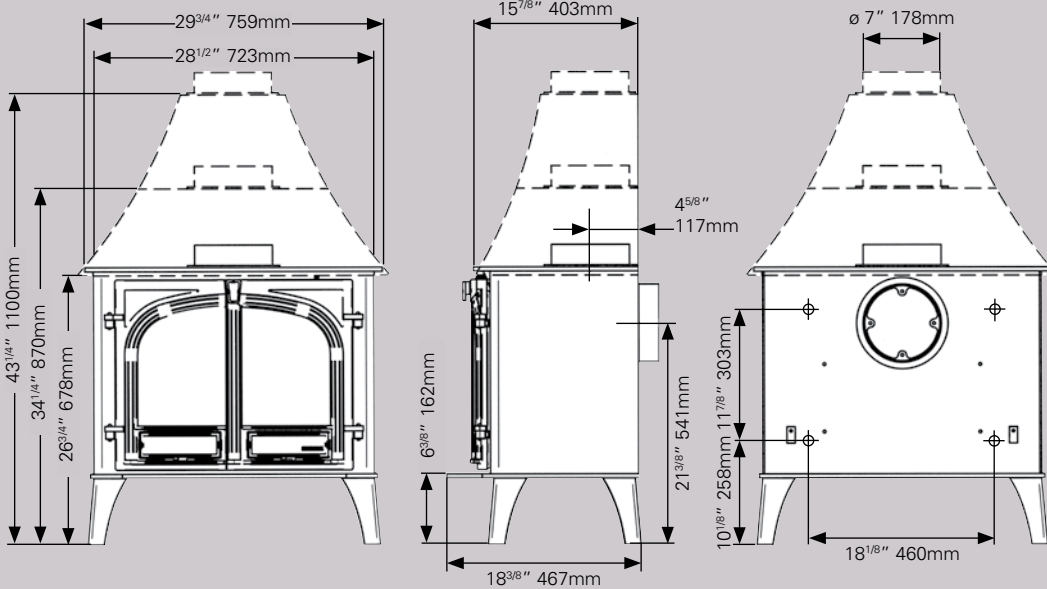
Stockton 8HB Boiler		
Connects with 6" flue pipe using:		
Size	With door	Without door
1' straight	4604	4600
2' straight	4605	4601
3' straight	4606	4602
1' 3" – 2' 1" (telescopic)		4642
3' 4" – 4' 6" (telescopic)		4640
Tee piece with end cap		4616



Maximum heat output:
 To boiler 8.2kW (28,000 BTU's)
 To room 4.9kW (16,700 BTU's)
 Total 13.1kW (44,700 BTU's)

The information on these pages is to assist you in your choice of a suitable Stovax stove. This is not intended to be all the information required for installation. This information, along with minimum distances to combustible materials, can be obtained from your local Stovax retailer or you can download the full installation instructions from the website at www.stovax.com.

Weight: 140kg



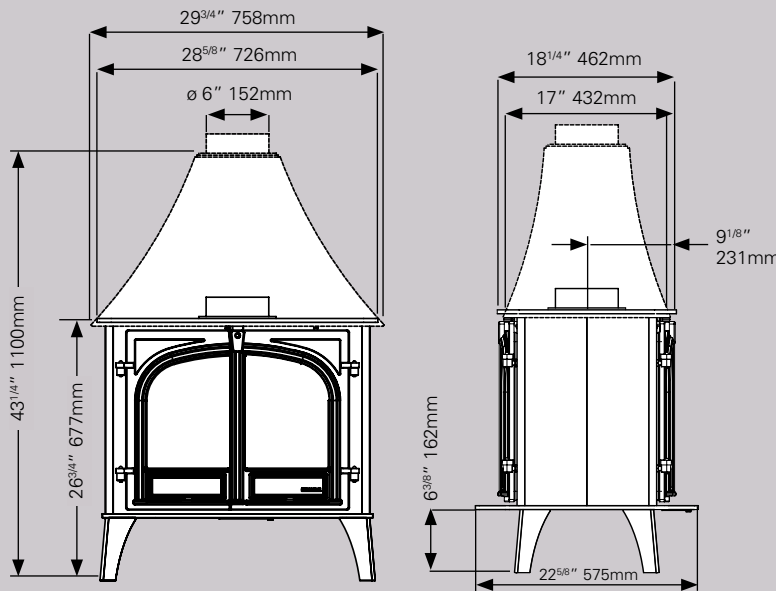
Stockton 11

Connects with 7" flue pipe using:

Size	With door	Without door
1' straight	4704	4700
2' straight	4705	4701
3' straight	4706	4702
1' 3" - 2' 1" (telescopic)		4742
3' 4" - 4' 6" (telescopic)		4740
Tee piece with end cap		4716

Clip-in Boiler
 Maximum heat output for single and 2 door:
 To boiler 7.1kW (24,000 BTU's)
 To room 3.1kW (10,500 BTU's)
 Total 10.2kW (34,500 BTU's)

Weight: 160kg - 175kg

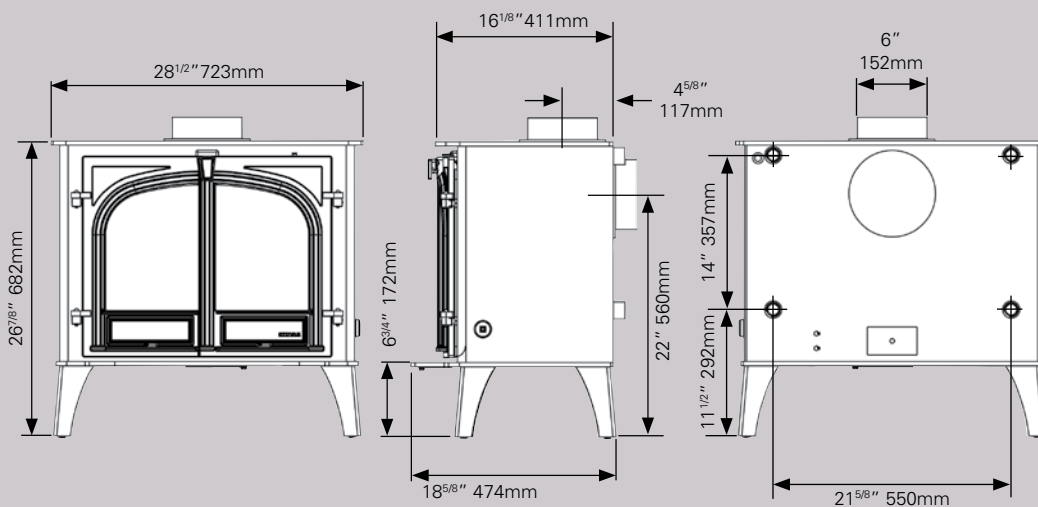


Stockton 11 Double Sided

Connects with 6" flue pipe using:

Size	With door	Without door
1' straight	4604	4600
2' straight	4605	4601
3' straight	4606	4602
1' 3" - 2' 1" (telescopic)		4642
3' 4" - 4' 6" (telescopic)		4640
Tee piece with end cap		4616

Weight: 175kg



Stockton 11HB Boiler

Connects with 6" flue pipe using:

Size	With door	Without door
1' straight	4604	4600
2' straight	4605	4601
3' straight	4606	4602
1' 3" - 2' 1" (telescopic)		4642
3' 4" - 4' 6" (telescopic)		4640
Tee piece with end cap		4616

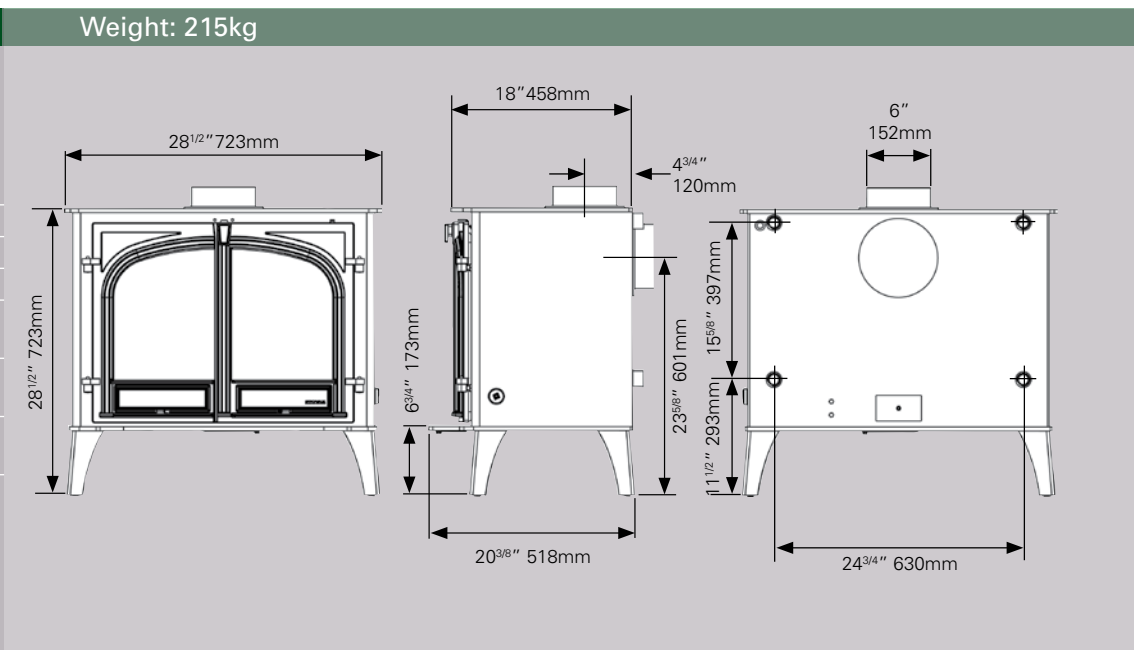
Maximum heat output:
 To boiler 11.0kW (37,500 BTU's)
 To room 7.0kW (23,900 BTU's)
 Total 18.0kW (61,400 BTU's)

Dimensions and Flue Pipe

Flue pipe connects your stove to the existing/new chimney system. The chimney system must meet the requirements of Building Regulations (Document J) and the stove fitted in accordance with the detailed installation instructions provided with each unit. You may also download these instructions prior to purchase from www.stovax.com.

Stockton 14HB Boiler		
Connects with 6" flue pipe using:		
Size	With door	Without door
1' straight	4604	4600
2' straight	4605	4601
3' straight	4606	4602
1' 3" – 2' 1" (telescopic)		4642
3' 4" – 4' 6" (telescopic)		4640
Tee piece with end cap		4616

Maximum heat output:
 To boiler 15.0kW (51,200 BTU's)
 To room 7.0kW (23,900 BTU's)
 Total 22.0kW (75,100 BTU's)



Professional XQ Chimney Systems

Stovax also offer a comprehensive range of stove & fireplace chimney systems, the Stovax Professional XQ collection. Crafted from 304L grade stainless steel for a durable outer finish, the fully sealed components offer water tight protection for the insulation within.

With innovative decorative options, the ability to specify a colour for your system and with a host of technical advancements such as their Twist-Lock system, the Professional XQ range provides an attractive, versatile and reliable solution for your flue system. Furthermore, the Professional XQ range carries a 10 year conditional warranty offering complete peace of mind.

For further information or to request a brochure, simply contact your local retailer or visit www.stovax.com/chimneysystems.



Brochure Photography

All of the flame pictures shown in this brochure are taken from real fires. Please note however that flame pictures will vary depending on the exact fuel used, flue conditions and surrounding geographical features. Some of the photography in this brochure may not comply with the latest Building Regulations and you should always check your proposed installation with your HETAS installer before proceeding. Certain settings in this brochure are dependant on the use of heat shields to reduce temperatures on combustible materials within defined distances as set by the Building Regulations.

Stovax gratefully acknowledges the assistance of the following companies with photographic settings:

- Ashore - 01392 477763; Beach Bros - www.beachbros.co.uk; Bradley Natural Stone Fireplaces - www.bnsf.co.uk;
- Chandi Chowk - www.chandnichowk.co.uk; Debenhams - www.debenhams.com; Dingles - www.houseoffraser.co.uk; Easyart - www.easyart.com;
- Eclectique - www.eclectique.co.uk; Fagins Antiques - www.faginsantiques.com; Farmington Stone Fireplaces - www.farmington.co.uk;
- Furniture Village - www.furniturevillage.co.uk; Laura Ashley - www.lauraashley.com; Moko - www.mokodirect.com; Next - www.next.co.uk;
- Orange Tree - www.theorangetree.co.uk; Original Style - www.originalstyle.com; Rudloe Stone Fireplaces - www.rudloe-stone.com;
- Toby's Antiques - www.tobysreclamation.co.uk; Triton Galleries - www.tritongalleries.co.uk



High canopy, two door version of Stockton 8 in Matt Black, burning logs.

STOVAX

Fire Your Imagination



View 8 Woodburning



Your Stovax retailer:

£3.00



STOVAX

Fire Your Imagination

Stovax Limited

Falcon Road, Sowton Industrial Estate,
Exeter, Devon, England EX2 7LF

Trade sales Tel: 01392 474000
Export sales Tel: 00 44 1392 261990
Other depts Tel: 01392 474011
Fax: 01392 219932
Email: info@stovax.com

www.stovax.com

A member of the Stovax Group