



# INSET GAS FIRES

# Relax - it's a Gazco Fire

## A warm welcome

Designed to warm the very heart of your home, a Gazco Inset Gas Fire brings you the promise of a cosy comfort throughout those long winter nights; even if you don't have a chimney!

Whether you want to achieve an up-to-the-minute, contemporary look or have your heart set on a more traditionally-designed fire, you will find a choice of highly-realistic flame effects and elegant frame options to suit your decorative style and budget.

Each model has been specially developed with ease of installation in mind, giving you excellent value for money through reduced fitting costs – and in most cases, you do not have to have a wall or floor vent installed either. For more information, or to view our complete range of Gas & Electric fires and stoves, simply visit [www.gazco.com](http://www.gazco.com).

## Gazco Retailer Network

We take great care to ensure that our fires are designed, tested and manufactured to the highest possible quality and safety standards. We are just as concerned to make certain that they are sold and installed correctly so that you enjoy years of pleasure from your fire.

Accordingly, you will find our products are only available from experienced, independent retailers who will be happy to show you a selection of models locally in their showrooms, often fully operational; discuss your individual requirements both technical (such as sizing the heat output to your room and advising on your flue type) and design; and ensure that you select the most appropriate product for your home.

These retailers will also be able to advise on, or assist with, the installation process as well as help provide any after-sales support and servicing your appliance may require in the future.

Whilst we encourage our retailers to promote fireplace products and their outlets via the internet, we do not believe suitable levels of customer care and satisfaction can be obtained from purchasing online and we would strongly recommend that you consider this when undertaking your research and making a purchasing decision. Furthermore, please be aware that we do not offer technical support (beyond our statutory responsibilities) to products bought via nationwide online sales, where this support would normally be offered by one of our qualified, independent retailers.





## The Gazco pedigree

When you choose a Gazco Inset Fire, quality and technology are assured. Gazco's UK research and development laboratories are not only amongst the most advanced in the world but the company is also ISO9001 accredited.

This means there is a rigorous quality control system to ensure that all our appliances comply with British safety standards as well as stringent European regulations.

With over 20 years proven experience of manufacturing quality Gas fires at Gazco, you can be confident that when you select a Gazco fire, quality and reliability are assured.

## Warranty



Your Gazco retailer will provide you with a Two Year Warranty for your new gas fire. The second year is dependant on the appliance being serviced 12 months after installation

and excludes certain consumable parts. Full details of this warranty are available at [www.gazco.com](http://www.gazco.com).

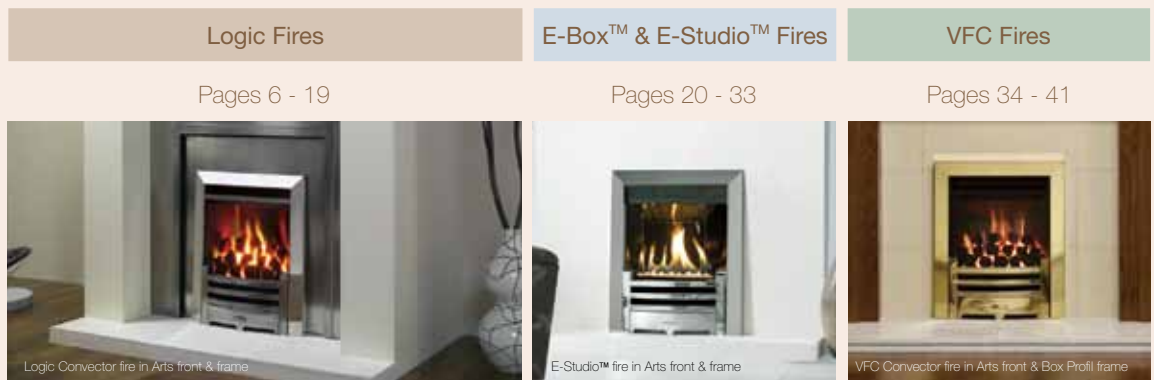
## Contents

<b>The right fire for your home</b>	<b>4</b>
<b>Logic Fires</b>	<b>6</b>
Logic Hotbox	8
Logic Convector	10
Logic HE	12
Logic Front & Frame choices	16
<b>E-Box™ &amp; E-Studio™ Fires</b>	<b>20</b>
E-Studio™	22
E-Box™	26
E-Box™ & E-Studio™ Front & Frame choices	30
<b>VFC Fires</b>	<b>34</b>
VFC Convector	36
VFC Tapered	38
VFC Front & Frame choices	40
<b>Technical Information</b>	<b>42</b>
<b>Important Information</b>	<b>50</b>

# The right fire for your home...







The table opposite has been designed to assist you in choosing the right fire for your home. Gazco's different inset fire options allow you to mix and match a wide selection of traditional and contemporary frames, fronts and fires so you can create the perfect welcoming centrepiece for your home.



**Key Features**

	Logic Hotbox	Logic Convector	Logic HE	E-Box™	E-Studio™	VFC Convector	VFC Tapered
Manual Versions	✓	✓	✓	✗	✗	✓	✓
Optional Remote Control	✓†	✓†	✗	✗	✗	✓	✓
Sequential Remote Control	✗	✗	✗	✓	✓	✗	✗
Fuel bed options	Coal & Pebble	Coal & Pebble	Coal & White Stone	Coal & Pebble	White Stone	Coal	Coal
Convected heat	✗	✓	✓	✓	✓	✓	✗
Radiant heat	✓	✓	✓	✓	✓	✓	✓
Wide selection of frames	✓	✓	✓	✓	✓	✓	✗
Natural Gas or LPG	✓	✓	✓	✓	✓	✓	✓
Extra deep fuel bed	✗	✗	✗	✗	✗	✓	✓
Can be wall mounted	✓	✓	✓	✓	✓	✓	✗
Additional 22" versions	✗	✗	✗	✗	✗	✓	✓
Variable flame colour	✗	✗	✗	✗	✗	✓	✓
Ambient open fire	✓	✓	✗	✗	✗	✓	✓
Glass fronted high efficiency	✗	✗	✓	✓	✓	✗	✗
ODS safety feature*	✓	✓	✓	✓	✓	✓	✓
Additional air vent required	✗	✗	✗	✗	✗	✗◇	✗◇

(See page 43 to identify your chimney type)

Suitable for: Brick chimneys (Class 1)		✓	✓	✓	✓	✓	✓
Suitable for: Pre-fabricated flues (Class 1 & 2)		✓	✓	✓	✓	✗	✗
Suitable for: Pre-cast flues (Class 2)		✓	✓	✓	✓	✗	✗
Suitable for: Balanced Flue (Homes with no chimney)		✗	✗	✓	✓	✗	✗

\* ODS (Oxygen Depletion Sensor) - This safety feature will shut off the gas supply to the burner in the event of a reduction to oxygen levels in the room (conventional flue only).

† If required, Logic Hotbox and Logic Convector fires must be upgraded to a standard remote control version at the time of purchase.

◇ 16" RD VFC models only. Standard 16" & 22" models will require an air vent.



# Logic Fires

There are three different fires in the Logic family to choose from: the Logic Hotbox, Logic Convector or the Logic HE. As well as benefitting from lower installation costs by choosing a Logic fire, additional savings can be made as these are all Reduced Draught fires, meaning that in most cases a wall or floor vent is not required. The Logic range is offered with a wide selection of frames and finishes; the full selection can be seen on pages 16-19.



# Logic Hotbox

Suitable for all chimney types, the Logic Hotbox is an open-fronted fire that provides a warm focal point without the additional heat emitted by the Logic Convector or Logic HE. This fire offers you the options of either coal or pebble fuel beds (1) and the choice of a manual or remote control version.

The hotbox draws cool room air into the bottom of the appliance (2) and then emits radiant heat into the room (3) via the glow generated on the ceramic fuel bed. This provides convenient and comforting warmth whilst retaining all the ambience of a real open fire.



# Logic Convector

The Logic Convector is an efficient open fire suitable for all chimney types. It incorporates a convection system that provides additional heat and efficiency to that of the Hotbox. Available with coal or pebble fuel beds (1) and the option of either manual or remote control versions.

The convector box draws cool room air into the bottom of the convection chamber (2) the cool air is warmed as it passes over the hot surfaces of the chamber (3) and the hot air is then emitted back into the room via the top convection slot (4).

# Logic HE



The latest in the Logic range, the Logic HE has a glass front and boasts the highest efficiency of all the Logic Fires at up to 82%. The HE is manually operated with a choice of either coal or white stone fuel effects (1). With both conventional and balanced flue models, the HE is even suitable for homes without a chimney!\*

The Logic HE box draws cool room air into the bottom of the convection chamber (2) the cool air is warmed as it passes over the hot surfaces of the chamber and the hot air is then emitted back into the room via the top convection slot (3). Maximum heat is radiated into the room via the virtually invisible glass front (4). The Logic HE (balanced flue only) has been specifically designed with reduced depth to allow for easy installation into the internal skin of a traditional cavity wall.

\* Balanced flue models only.



Balanced flue model shown.

**Image left:** Logic HE, conventional flue fire, coal fuel bed with Polished Chrome Spanish front and polished steel-effect Box Profil frame. Also shown: Art Deco mantel from Stovax.

# Logic Hotbox



Logic Hotbox fire, pebble fuel bed and Matt Black Arts front and Box Profil frame.  
Also shown: White Malmo mantel from Stovax and Kappa fireplace surround tiles (available from Gazco).

Remote  
Control Option



## Key Information

- Wide selection of frames & finishes (see pages 16-19)
- Choice of highly realistic coal or pebble fuel effects
- Radiant heating
- Heat reflective lining
- Up to 3.3kW heat output (input 6.7kW)
- 48% efficient
- Conventional flue fire suitable for all chimney types
- Manual models
- Remote control models (manual ignition & then adjustment of flame height and heat output from the handset)
- No additional room ventilation normally required
- Fits into standard 410 x 560 x 250mm (w x h x d) fireplace opening
- Natural gas and LPG models





Logic Hotbox fire, coal fuel bed and Dimension complete front.  
Also shown: Brompton mantel from Stovax.

## Fire Information

Product Code	Controls	Gas Type	Fuel Effect	Product Code	Controls	Gas Type	Fuel Effect
101-021	Manual	Nat. Gas	Coals	101-083	Remote	Nat. Gas	Coals
101-512	Manual	LPG	Coals	101-741	Remote	LPG	Coals
101-372	Manual	Nat. Gas	Pebbles	101-278	Remote	Nat. Gas	Pebbles
101-788	Manual	LPG	Pebbles	101-589	Remote	LPG	Pebbles

# Logic Convector



Logic Convector fire, coal fuel bed and Highlight Polished Holyrood front with Brushed Steel-effect Box Profil frame.  
Also Shown: Brompton Mantel and Chelsea Cast Iron front with inset panel available from Stovax.

Remote  
Control Option



## Key Information

- Wide selection of frames & finishes (see pages 16-19)
- Choice of highly realistic coal or pebble fuel effects
- Radiant heating plus convection system for added efficiency
- Heat reflective ceramic lining
- Up to 4.1kW heat output (input 6.7kW)
- 62% efficient
- Conventional flue fire suitable for all chimney types
- Manual models
- Remote control models (manual ignition & then adjustment of flame height and heat output from the handset)
- No additional room ventilation normally required
- Fits into standard 410 x 560 x 250mm (w x h x d) fireplace opening
- Natural gas and LPG models



Logic Convector fire, pebble fuel bed and Evolution complete front.

## Fire Information

Product Code	Controls	Gas Type	Fuel Effect	Product Code	Controls	Gas Type	Fuel Effect
101-295	Manual	Nat. Gas	Coals	101-349	Remote	Nat. Gas	Coals
101-418	Manual	LPG	Coals	101-528	Remote	LPG	Coals
101-100	Manual	Nat. Gas	Pebbles	101-190	Remote	Nat. Gas	Pebbles
101-636	Manual	LPG	Pebbles	101-434	Remote	LPG	Pebbles

# Logic HE

Conventional flue



Logic HE Conventional flue fire, white stone fuel bed and Progress complete front.  
Also shown: Strasbourg Cream fireplace surround tiles (available from Gazco).

## Key Information

- Wide selection of frames & finishes (see pages 16-19)
- Choice of highly realistic coal or white stone fuel effects
- High efficiency fire with virtually invisible glass front
- Radiant heating - plus convection system for added efficiency
- Heat reflective lining
- Up to 3.8kW heat output (input 5.1kW)
- Up to 76% efficient
- Conventional flue fire suitable for all chimney types
- Manual operation
- No additional room ventilation normally required
- Fits into standard 410 x 560 x 250mm (w x h x d) fireplace opening
- Natural gas and LPG models



Logic HE Conventional flue fire, coal fuel bed and Highlight Polished Arts front with Matt Black Box Profil frame.  
Also shown: Small Kensington mantel from Stovax.

## Fire Information

Product Code	Controls	Gas Type	Fuel Effect	Product Code	Controls	Gas Type	Fuel Effect
101-151	Manual	Nat. Gas	Coals	101-324	Manual	Nat. Gas	White Stones
101-497	Manual	LPG	Coals	101-651	Manual	LPG	White Stones



# Logic HE

Balanced flue

HIGH  
EFFICIENCY 

**easyfit**  
Slimline Firebox



Logic HE Balanced flue fire, white stone fuel bed and Steel complete front in Iridium.

## Key Information

- Wide selection of frames & finishes (see pages 16-19)
- Choice of highly realistic coal or white stone fuel effects
- High efficiency fire with virtually invisible glass front
- Radiant heating - plus convection system for added efficiency
- Heat reflective lining
- Up to 3.30KW heat output (input 4.00KW)
- Up to 82% efficient
- Balanced flue fire for homes without chimneys
- Manual operation
- No additional room ventilation normally required
- Fits into standard 420 x 560 x 165mm (w x h x d) fireplace opening
- Natural gas and LPG models
- Slimmer depth, allowing installation into inner wall of home without need for a false chimney breast.



Logic HE Balanced flue fire, coal fuel bed, with Polished Chrome Arts front and Polished Stainless Steel-effect Box Profil frame.  
Also shown: Malmo mantel from Stovax.

## Fire Information

Product Code	Controls	Gas Type	Fuel Effect	Product Code	Controls	Gas Type	Fuel Effect
101-135	Manual	Nat. Gas	Coals	101-208	Manual	Nat. Gas	White Stones
101-458	Manual	LPG	Coals	101-687	Manual	LPG	White Stones

# Logic Front & Frame Choices

	Front Choices			Frame Choices				Complete Choices (Page 18)					
	Holyrood	Spanish	Arts	Profil	Decorative	Arts	Box Profil	Dimension	Designio	Steel	Progress	Winchester	Evolution
Logic Hotbox	✓	✓	✓	✓	✓	✓	✓	✓	✓	X	✓	✓	✓
Logic Convector	✓	✓	✓	✓	✓	✓	✓	✓	✓	X	✓	✓	✓
Logic HE (w/stones)	X	X	✓	X	X	X	✓	✓	✓	✓	✓	✓	✓
Logic HE (coals)	✓	✓	✓	X	X	X	✓	✓	✓	X	✓	✓	✓

## Arts

(Page 8, 15, 22, 27, 34 & 36)



Matt Black



Polished Brass-effect



Polished Chrome-effect



Highlight Polished

## Holyrood

(Page 10, 19, 35 & 39)



Matt Black Cast Iron with Brass Finials\*



Polished Brass with Black columns & Brass Finials\*



Polished Chrome\*



Highlight Polished

## Spanish

(Page 37 & 38)



Matt Black



Polished Brass



Polished Chrome



Highlight Polished

\* Logic HE coal versions have no finials.

## Box Profil Frames†

(Page 8, 15, 19 & 34)



Matt Black†



Polished Brass-effect†



Polished Steel-effect†



Brushed Steel-effect†

## Arts Frames

(Page 22, 27 & 36)



Matt Black



Polished Brass



Polished Stainless Steel



Brushed Stainless Steel

## Decorative Frames



Matt Black



Polished Brass



Polished Stainless Steel



Brushed Stainless Steel

## Profil Frames

(Page 10, 35, 37 & 51)



Matt Black



Polished Brass\*



Polished Stainless Steel



Brushed Stainless Steel

\* Profil frame in Polished Brass is also available with deeper 67mm profile.

† Logic HE versions have a grille as shown top right.

# Logic Complete Front Choices

## Designio

(Page 23)



Graphite



Iridium

## Progress

(Page 12)



Iridium

## Winchester<sup>†</sup>

(Page 20)



Polished<sup>†</sup>



Matt Black<sup>†</sup>

## Dimension<sup>\*</sup>

(Page 9)



Matt Black<sup>\*</sup>

## Evolution<sup>†</sup>

(Page 11)



Brushed Stainless Steel<sup>†</sup>

## Steel (Page 14 & 24)



Graphite and Iridium

\* Logic HE versions have a grille. † Logic HE versions have a cross bar and grille (as shown)





Logic HE Balanced flue fire, coal fuel bed and Polished Brass Holyrood front and Polished Brass-effect Box Profil frame.  
Also shown: Grafton Limestone mantel from Stovax.



# E-Studio™ & E-Box™ Fires

Quite simply, these fires offer you the benefits of our very highest levels of heating efficiency thus saving you money on your gas bills. Yet this high efficiency technology still comes with sequential remote control as standard and a host of choices for frames and styles to ensure you bring warmth and elegance to the very heart of your home, whether traditional or contemporary.

# Sequential Ignition, Remotely Controlled, High Efficiency Fires...



Balanced flue model shown.

## E-Studio™



This premium 16" wide fire provides exceptional heating efficiency with a fresh contemporary look. Set behind a virtually invisible glass window, the E-Studio™ features a stunning ribbon flame effect (1) and is available in both conventional and balanced flue models. Everything from ignition to extinguishing the flame can be operated with ease by the Sequential remote control supplied.

The high efficiency E-Studio™ radiates heat from its virtually invisible glass window (2) whilst the latest in firebox technology convects heated air directly into the room (3) for ultimate efficiency. There are a wide selection of stylish frame options to complement your E-Studio™ fire which can be found on pages 30-33.

\* Balanced flue models only.



Conventional flue model shown.

## E-Box™



This top-of-the-range 16" wide fire provides exceptional heating efficiency and fuel economy. Set behind a virtually invisible glass window, Gazco's technologically advanced E-Box™ offers ease of installation, a wide choice of styling options and a coal or pebble (1) version to suit all homes, even those without a chimney. The E-Box™ comes complete with the Sequential remote control, allowing operation from ignition to extinguishing the flame, all from the comfort of your sofa.

The E-Box™ produces an excellent heat output, offering up to 86% efficiency. Heat radiates from the glass window (2) and the fire has been expertly designed to convect heated air (3) into the room with maximum fuel efficiency.

\* Balanced flue models only.

# E-Studio™



E-Studio™ fire with Polished Chrome Arts front and Brushed Stainless Steel Arts frame.  
Also shown: Parisian White fireplace surround tiles (available from Gazco).

## Key Information

- Wide selection of frames & finishes (see pages 30-33)
- White stone fuel effect
- High efficiency fire with virtually invisible glass front
- Radiant heating - plus convection system for added efficiency
- Heat reflective lining
- Up to 3.5kW heat output (input 4.3kW)
- Up to 82% efficient
- No additional room ventilation normally required
- Fits into standard 410 x 560 x 250mm (w x h x d) fireplace opening
- Natural gas and LPG models
- Sequential remote control (full operation: ignition and extinguish, adjustment of flame height and heat output, all from the handset)

Sequential remote







E-Studio™ fire with Designio complete front in Graphite.  
Also shown: Napoli Sabbia Polished fireplace surround tiles (available from Gazco).



# E-Studio™

HIGH  
EFFICIENCY 



E-Studio™ fire with Steel complete front in Graphite.



E-Studio™ fire with Futura complete front.

## Fire Information

### Conventional Flue

Product Code	Controls	Gas Type	Fuel Effect
112-284	Sequential	Nat. Gas	White Stones
112-597	Sequential	LPG	White Stones

### Balanced Flue

Product Code	Controls	Gas Type	Fuel Effect
112-236	Sequential	Nat. Gas	White Stones
112-732	Sequential	LPG	White Stones



E-Box™ Conventional flue fire, coal fuel bed and Richmond complete front.

## Key Information

- Wide selection of frames & finishes (see pages 30-33)
- Choice of highly realistic coal or pebble fuel effects
- High efficiency fire with virtually invisible glass front
- Radiant heating - plus convection system for added efficiency
- Heat reflective lining
- Up to 3.8kW heat output (input 5.1kW)
- Up to 76% efficient
- No additional room ventilation normally required
- Fits into standard 410 x 560 x 250mm (w x h x d) fireplace opening
- Natural gas and LPG models
- Sequential remote control (full operation: ignition and extinguish, adjustment of flame height and heat output, all from the handset)

Sequential  
remote





E-Box™ Balanced flue fire, coal fuel bed and Polished Chrome Arts front and Polished Stainless Steel Arts frame.  
Also shown: Pembroke mantel from Stovax.

# E-Box™

HIGH  
EFFICIENCY 



E-Box™ Conventional flue fire, coal fuel bed and Fusion complete front in Graphite.





E-Box™ Balanced flue fire, coal fuel bed and Stockton Inset complete front.

## Fire Information

### Conventional Flue

Product Code	Controls	Gas Type	Fuel Effect
112-302	Sequential	Nat. Gas	Coals
112-494	Sequential	LPG	Coals
112-177	Sequential	Nat. Gas	Pebbles
112-419	Sequential	LPG	Pebbles

### Balanced Flue

Product Code	Controls	Gas Type	Fuel Effect
112-360	Sequential	Nat. Gas	Coals
112-617	Sequential	LPG	Coals
112-196	Sequential	Nat. Gas	Pebbles
112-540	Sequential	LPG	Pebbles

# E-Box™ & E-Studio™ Frame & Front Choices

	Front Choices			Frame Choices		Complete Choices (Page 32 - 33)									
	Holyrood	Spanish	Arts	Arts	Box Profil	Dimension	Designio	Fusion	Futura	Stockton Inset	Steel	Progress	Winchester	Evolution	Richmond
E-Box™	✓	✓	✓	✓	✓	✓	✓	✓	✓	✓	✗	✓	✓	✓	✓
E-Studio™	✗	✗	✓	✓	✓	✓	✓	✓	✓	✗	✓	✓	✓	✓	✗

## Box Profil Frames

(Page 15, 18, 19, 34 & 51)



Matt Black



Polished Brass-effect



Polished Steel-effect



Brushed Steel-effect

## Arts Frames

(Page 13, 22, 27 & 36)



Matt Black



Polished Brass



Polished Stainless Steel



Brushed Stainless Steel

## Holyrood

(Page 10, 19, 35 & 39)



Matt Black Cast Iron



Polished Brass with  
Black columns



Polished Chrome



Highlight Polished

## Spanish

(Page 37 & 38)



Matt Black



Polished Brass



Polished Chrome



Highlight Polished

## Arts

(Page 13, 15, 22, 27, 34 & 36)



Matt Black



Polished Brass



Polished Chrome



Highlight Polished



Polished Brass-effect



Polished Chrome-effect

# E-Box™ & E-Studio™ Complete Front Choices

Dimension (Page 9)



Matt Black

Evolution (Page 11)



Brushed Stainless Steel

Richmond (Page 26)



Black Cast Iron

Winchester (Page 20)



Polished



Matt Black

Stockton Inset (Page 29)



Matt Black

Designio (Page 23)



Graphite



Iridium

Progress (Page 12)



Iridium

Fusion

(Page 28)

Futura

(Page 25)



Iridium



Graphite



Black Glass

Steel

(Page 14 & 24)



Iridium



Graphite





# VFC Fires

Available in 16" and 22" widths, the VFC range are our most versatile fires. With a slightly deeper fuel bed and featuring our unique variable flame technology, you can select between Blue (the fuel bed glows brightly with a lower, translucent flame with hint of blue) or Yellow (flickering, yellow flames) effects with a simple lever control. A Tapered fire produces radiant heat, whilst the more efficient Convector produces radiant and convected heat.

# Convector or Tapered?



VFC Convector fire with Highlight Polished Holyrood front and Polished Chrome Profil frame.  
Also shown: Pembroke mantel from Stovax.

	VFC Tapered	VFC Convector
Suitable for conventional, brick built chimney (Class 1)	Chairbrick in place	Chairbrick removed
Deeper fuel bed with VFC	Yes	Yes
16" and 22" widths	Yes	Yes
Heating type (efficiency)	Radiant (25%)	Radiant plus convection system (50%)
Reduce draft version (no room vent) available	Yes (16" only)	Yes (16" only)
Remote control option	Yes	Yes
Choice of frame and front styles	Yes	Yes

Image left: VFC Convector fire with Matt Black Arts front and Box Profil frame. Also shown: Malmo mantel from Stovax.

# VFC Convector



VFC Convector fire with Highlight Polished Arts front and Polished Stainless Steel Arts frame.  
Also shown: Malmo mantel from Stovax.

## Key Information

- Wide selection of frames & finishes (see pages 40-41)
- Highly realistic coal fuel effect
- Radiant heating - plus convection system for added efficiency
- Heat reflective lining
- Up to 4.75kW heat output (input 9.5kW)
- 50% efficient
- Manual models
- VFC (Variable Flame Control) system
- Remote control upgrade (manual ignition & then adjustment of flame height and heat output from the handset)
- No additional room ventilation normally required (16" RD version only)
- Fits into standard 410 x 560 x 250mm (w x h x d) fireplace opening
- Natural gas and LPG models
- 22" versions available - up to 6.35kW heat output (input 12.7kW)

Remote  
Control Option





VFC Convector fire with Highlight Polished Spanish front and Polished Stainless Steel Profil frame.  
Also shown: Small Kensington mantel from Stovax.

## Fire Information

### 16" VFC Convector

Product Code	Controls	Gas Type	Fuel Effect
8420UC	Upgradable	Nat. Gas	Coals
P8420UC	Upgradable	LPG	Coals
8421UC*	Upgradable	Nat. Gas	Coals
P8421UC*	Upgradable	LPG	Coals

### 22" VFC Convector

Product Code	Controls	Gas Type	Fuel Effect
8430UC	Upgradable	Nat. Gas	Coals
P8430UC	Upgradable	LPG	Coals

\* Reduced draught models



# VFC Tapered



16" VFC Tapered fire with Matt Black Spanish front.  
Also shown: Alborg mantel from Stovax.

## Key Information

- Wide selection of frames & finishes (see pages 40-41)
- Highly realistic coal fuel effect
- Radiant heating
- Up to 3.05kW heat output (input 12.7kW)
- Up to 25% efficient
- Manual models
- Remote control upgrade (manual ignition and then adjustment of flame height and heat output from the handset)
- No additional room ventilation normally required (16" RD version only)
- Fits into standard chairbrick fireplace opening
- Natural gas and LPG models
- 22" versions available

Remote  
Control Option







22" VFC Tapered fire with Polished Brass Holyrood front.

## Fire Information

### 16" VFC Tapered

Product Code	Controls	Gas Type	Fuel Effect
8300UC	Upgradable	Nat. Gas	Coals
P8300UC	Upgradable	LPG	Coals
8301UC*	Upgradable	Nat. Gas	Coals
P8301UC*	Upgradable	LPG	Coals

### 22" VFC Tapered

Product Code	Controls	Gas Type	Fuel Effect
8310UC	Upgradable	Nat. Gas	Coals
P8310UC	Upgradable	LPG	Coals

\* Reduced draught models

# VFC Front & Frame Choices

	Front Choices			Frame Choices			Complete Choices				
	Holyrood	Spanish	Arts	Profil	Decorative	Arts	Designio	Progress	Evolution	Richmond	Box Profil & Arts Front
VFC Convector (16")	✓	✓	✓	✓	✓	✓	✓	✓	✓	✓	✓
VFC Convector (22")	✓	✓	✗	✓	✓	✗	✓	✓	✓	✗	✗
VFC Tapered (16")	✓	✓	✓	✗	✗	✗	✗	✗	✗	✗	✗
VFC Tapered (22")	✓	✓	✗	✗	✗	✗	✗	✗	✗	✗	✗

## Arts

(Page 8, 15, 22, 27, 34 & 36)



Matt Black



Polished Brass



Polished Chrome



Highlight Polished

## Holyrood

(Page 10, 19, 35 & 39)



Matt Black Cast Iron



Polished Brass with  
Black columns & Brass Finials



Polished Chrome



Highlight Polished

## Spanish

(Page 37 & 38)



Matt Black



Polished Brass



Polished Chrome



Highlight Polished

## Profil Frames

(Page 10, 35 & 37)



\* Profil frame in Brass is also available with deeper 67mm profile.

Matt Black

Polished Brass\*

Polished Stainless Steel

Brushed Stainless Steel

## Arts Frames

(Page 13, 22, 27 & 36)



Matt Black

Polished Brass

Polished Stainless Steel

Brushed Stainless Steel

## Decorative Frames



Matt Black

Polished Brass

Polished Stainless Steel

Brushed Stainless Steel

## Complete Front Choices

Richmond (16") (Page 26)

Designio (16") (Page 23)

Progress (16") (Page 12)

Evolution (16") (Page 11)



Black cast Iron



Graphite or Iridium



Iridium



Brushed Stainless Steel

Box Profil & Arts Front (16")

Designio (22")

Progress (22")

Evolution (22")



Polished Steel-effect



Graphite or Iridium



Iridium



Brushed Stainless Steel

# Technical Information





# Your chimney type

The type of chimney or flue you have usually dictates your choice of fire. To help you establish which fires are suitable for your home, please use the information and pictures below to identify your chimney. Don't worry if you don't have a chimney though, you can still find the perfect fire for your home!



## Brick/Stone Chimney (Class 1)

Conventional chimneys are easily recognisable. The stack rises well above the roofline and is topped by a traditional chimney pot or gas terminal. This type of chimney relies on the natural circulation of heated air to expel the products of combustion up your chimney.



## Pre-fabricated Flues (Class 1 & 2)

You will see a metal flue cowl on your roof. Some are all metal whilst others may terminate through a short rectangular pot (but without a chimney stack). These flues create the same circulation of heated air as a brick or stone chimney.



## Pre-cast Flue (Class 2)

Many modern homes have been built with such flues. You can readily identify them by either a metal flue cowl or a raised ridge terminal on your roof. Again, the natural circulation of heated air expels the products of combustion. Incidentally, these flues tend to be very shallow in depth so a slimmer fire is often required. Deep appliances, however, may be able to be installed with the use of either a spacer kit or deeper rebate on the fireplace.



## Balanced Flue (No chimney required)

Balanced flues work in conjunction with glass fronted gas fires. The appliance is completely sealed from the room into which it is installed (so there are no draughts and heating efficiency is increased) and a twin-wall pipe vents directly to an outside wall. Air for combustion is drawn in through the outer pipe whilst the inner pipe removes the combustion gases to the exterior of the property. The twin-walled pipe will exit horizontally through an external wall. No electric supply is required therefore there is no sound with this flue system.



## No Air Vent required (UK )

Across the following technical pages, all fires shown with this symbol boast the advantage of not normally requiring an air vent\* where the air permeability is greater than  $5.0\text{m}^3/\text{hr}/\text{m}^2$ . Please discuss this in full with your local retailer.

\*Requirements in the Republic of Ireland are different.



# Logic Hotbox and Convector Fires

## LOGIC HOTBOX FIRE INFORMATION

Product Code	Controls	Flue Type	Gas Type	Fuel Effect	Heat Input (kW)	Heat Output (kW)	Efficiency	Opening Size (mm)		
								w	h	d
⊗ 101-021	Manual	Class 1 & 2	Nat. Gas	Coals	6.70	3.20	48%	410	560	250
⊗ 101-512	Manual	Class 1 & 2	LPG	Coals	6.70	3.20	48%	410	560	250
⊗ 101-372	Manual	Class 1 & 2	Nat. Gas	Pebbles	6.70	3.20	48%	410	560	250
⊗ 101-788	Manual	Class 1 & 2	LPG	Pebbles	6.70	3.20	48%	410	560	250
⊗ 101-083	Remote	Class 1 & 2	Nat. Gas	Coals	6.70	3.20	48%	410	560	250
⊗ 101-741	Remote	Class 1 & 2	LPG	Coals	6.70	3.20	48%	410	560	250
⊗ 101-278	Remote	Class 1 & 2	Nat. Gas	Pebbles	6.70	3.20	48%	410	560	250
⊗ 101-589	Remote	Class 1 & 2	LPG	Pebbles	6.70	3.20	48%	410	560	250

## LOGIC CONVECTOR FIRE INFORMATION

Product Code	Controls	Flue Type	Gas Type	Fuel Effect	Heat Input (kW)	Heat Output (kW)	Efficiency	Opening Size (mm)		
								w	h	d
⊗ 101-295	Manual	Class 1 & 2	Nat. Gas	Coals	6.70	4.10	61%	410	560	250
⊗ 101-418	Manual	Class 1 & 2	LPG	Coals	6.70	4.10	61%	410	560	250
⊗ 101-100	Manual	Class 1 & 2	Nat. Gas	Pebbles	6.70	4.10	61%	410	560	250
⊗ 101-636	Manual	Class 1 & 2	LPG	Pebbles	6.70	4.10	61%	410	560	250
⊗ 101-349	Remote	Class 1 & 2	Nat. Gas	Coals	6.70	4.10	61%	410	560	250
⊗ 101-528	Remote	Class 1 & 2	LPG	Coals	6.70	4.10	61%	410	560	250
⊗ 101-190	Remote	Class 1 & 2	Nat. Gas	Pebbles	6.70	4.10	61%	410	560	250
⊗ 101-434	Remote	Class 1 & 2	LPG	Pebbles	6.70	4.10	61%	410	560	250

## FRAME AND FRONT INFORMATION

Product Code	Description	Frame Finish	Frame Size (mm)		
			w	h	d
<b>Complete Front Choice</b>					
8251GP	Designio front	Graphite	595	615	68
8251IR	Designio front	Iridium	595	615	68
8681MB	Dimension front	Matt Black	540	635	68
8255BS	Evolution front (Hotbox)	Stainless Steel	489	597	45
8257BS	Evolution front (Convector)	Stainless Steel	489	597	45
8253IR	Progress front	Iridium	520	598	60
8698MB	Winchester front	Matt Black	508	619	55
8698P	Winchester front	Polished	508	619	55

### Fire Front Choice (if using a Decorative or Profil frame)

901-425	Arts fire front†	Matt Black	390	230	-
901-530	Arts fire front†	Polished Brass-effect	390	230	-
901-476	Arts fire front†	Polished Chrome-effect	390	230	-
901-296	Arts fire front†	Highlight Polished	390	230	-
8391	Holyrood fire front	Matt Black with Brass finials	385	265	-
8397	Holyrood fire front	Polished Brass - black columns & brass finials	385	265	-
8150	Holyrood fire front	Highlight Polished	385	210	-
8397P	Holyrood fire front	Polished Chrome	385	210	-
8382	Spanish fire front	Matt Black	385	210	-
8388	Spanish fire front	Polished Brass	385	210	-
8153	Spanish fire front	Highlight Polished	385	210	-
8388P	Spanish fire front	Polished Chrome	385	210	-

† NB: If the Arts front is ordered with a Decorative or Profil frame, a fixing kit (8289) will be supplied free of charge.

Product Code	Description	Frame Finish	Frame Size (mm)	
			w	h
<b>Fire Front Choice</b>				
901-425	Arts fire front†	Matt Black	390	230
901-530	Arts fire front†	Polished Brass-effect	390	230
901-476	Arts fire front†	Polished Chrome-effect	390	230
901-296	Arts fire front†	Highlight Polished	390	230
901-327	Holyrood fire front	Matt Black with Brass finials	385	265
901-193	Holyrood fire front	Polished Brass - black columns & brass finials	385	265
901-166	Holyrood fire front	Highlight Polished	385	210
901-079	Holyrood fire front	Polished Chrome	385	210
901-205	Spanish fire front	Matt Black	385	210
901-314	Spanish fire front	Polished Brass	385	210
901-053	Spanish fire front	Highlight Polished	385	210
901-459	Spanish fire front	Polished Chrome	385	210

### Fire Frame Choice

8284MB	Arts frame	Matt Black	510	605
8284PBR	Arts frame	Polished Brass	510	605
8284P	Arts frame	Polished Stainless Steel	510	605
8284BS	Arts frame	Brushed Stainless Steel	510	605
8285	Decorative frame	Matt Black	505	610
8266	Decorative frame	Polished Brass	505	610
8232	Decorative frame	Polished Stainless Steel	505	610
8235	Decorative frame	Brushed Stainless Steel	505	610
8345	Profil (Standard) frame	Matt Black	490	600
8340	Profil (Standard) frame	Polished Brass	490	600
8342	Profil (Standard) frame	Polished Stainless Steel	490	600
8229	Profil (Standard) frame	Brushed Stainless Steel	490	600
8280	Profil (Wide) frame	Polished Brass	490	600
901-219	Box Profil frame	Matt Black	503	604
901-178	Box Profil frame	Polished Brass-effect	503	604
901-269	Box Profil frame	Brushed Stainless Steel-effect	503	604
901-344	Box Profil frame	Polished Stainless Steel-effect	503	604

## OPTIONS AND ACCESSORIES

Product Code	Description
8315	Spacer kit (75mm) for Logic Hotbox and Logic Convector

## ADDITIONAL INFORMATION FOR LOGIC HOTBOX & CONVECTOR FIRES

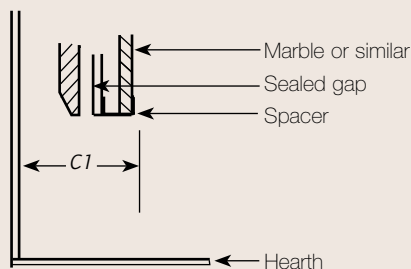
If you are fitting a Decorative or Profil frame with an Arts Front, an additional fitting kit will be provided to ease installation.

You can install a Logic Convector Fire with a Stovax Cast Iron Victorian, Art Nouveau or Combination Fireplace.

Conventional Logic Hotbox and Logic Convector fires require 5" minimum flue sizes.

Please consult your local Gazco and Stovax dealer for further information.

Installation of Logic Hotbox or Logic Convector into Pre Cast Flues (minimum 16,500mm<sup>2</sup>)



If your chimney has a shallow 'starter block' then use spacer kit 8315 and a 3" (75mm) deep rebate surround to achieve the C1 dimension. Pre-cast flues with a deep 'starter block' may be installed in exactly the same way as a conventional masonry opening providing there is a depth of 8½" (215mm) at C1.

Diagrammatic representation only. Not accurate for installation purposes.

## Logic HE Convector Fires

### LOGIC HE FIRE INFORMATION

Product Code	Flue Type	Gas Type	Fuel Effect	Heat Input (kW)	Heat Output (kW)	Efficiency	Control	Opening Size (mm)		
								w	h	d
⊗ 101-151	Conventional	Nat. Gas	Coals	5.10	3.80	76%	Manual	410	560	250
⊗ 101-497	Conventional	LPG	Coals	4.80	3.70	76%	Manual	410	560	250
⊗ 101-324	Conventional	Nat. Gas	White Stones	4.30	3.10	72%	Manual	410	560	250
⊗ 101-651	Conventional	LPG	White Stones	4.30	3.10	72%	Manual	410	560	250
⊗ 101-135	Balanced flue	Nat. Gas	Coals	4.00	3.28	82%	Manual	420	560	165
⊗ 101-458	Balanced flue	LPG	Coals	4.00	3.28	82%	Manual	420	560	165
⊗ 101-208	Balanced flue	Nat. Gas	White Stones	3.40	2.72	80%	Manual	420	560	165
⊗ 101-687	Balanced flue	LPG	White Stones	3.40	2.72	80%	Manual	420	560	165

### FRAME AND FRONT INFORMATION

Product Code	Description	Frame Finish	Frame Size (mm)		
			w	h	d
<b>Complete Front Choice</b>					
912-396	Designio front	Graphite	595	615	68
912-018	Designio front	Iridium	595	615	68
8680MB	Dimension front	Matt Black	540	635	68
912-239	Progress front	Iridium	520	598	60
8697MB	Winchester	Matt Black	508	619	55
8697HP	Winchester	Polished	508	619	55
8695GP*	Steel	Graphite	850	670	32
8695IR*	Steel	Iridium	850	670	32

#### Fire Front Choice

901-425	Arts front	Matt Black	390	230	-
901-530	Arts front	Polished Brass-effect	390	230	-
901-476	Arts front	Polished Chrome-effect	390	230	-
901-296	Arts front	Highlight Polished	390	230	-
8693MB	Holyrood front	Matt Black	385	210	-
8693PBB	Holyrood front	Polished Brass with black columns	385	210	-
8693HP	Holyrood front	Highlight Polished	385	210	-
8693P	Holyrood front	Polished Chrome	385	210	-
8694MB	Spanish front	Matt Black	385	210	-
8694HP	Spanish front	Highlight Polished	385	210	-
8694PBR	Spanish front	Polished Brass	385	210	-
8694P	Spanish front	Polished Chrome	385	210	-

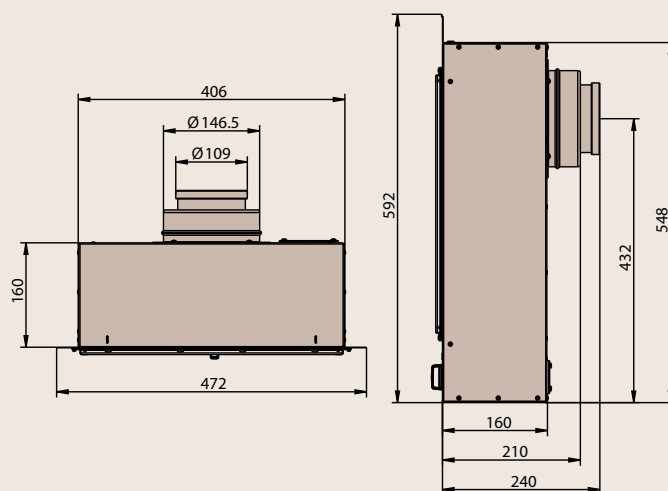
#### Fire Frame Choice

912-263	Box Profil frame	Matt Black	503	604	-
912-374	Box Profil frame	Polished Brass-effect	503	604	-
912-307	Box Profil frame	Polished Stainless Steel-effect	503	604	-
912-189	Box Profil frame	Brushed Stainless Steel-effect	503	604	-

\* White stone Logic HE only.

## ADDITIONAL INFORMATION

### Logic HE Balanced Flue



# E-Box™

## E-BOX™ FIRE INFORMATION

Product Code	Description	Flue Type	Gas Type	Fuel Effect	Heat Input (kW)	Heat Output (kW)	Efficiency	Remote Control	Opening Size (mm)		
									w	h	d
⊗ 112-302	E-Box™	Conventional	Nat. Gas	Coals	5.10	3.80	76%	Sequential	410	560	250
⊗ 112-494	E-Box™	Conventional	LPG	Coals	4.80	3.70	76%	Sequential	410	560	250
⊗ 112-177	E-Box™	Conventional	Nat. Gas	Pebbles	5.10	3.80	76%	Sequential	410	560	250
⊗ 112-419	E-Box™	Conventional	LPG	Pebbles	4.80	3.70	76%	Sequential	410	560	250
⊗ 112-360	E-Box™	Balanced flue	Nat. Gas	Coals	4.10	3.52	86%	Sequential	410	560	235
⊗ 112-617	E-Box™	Balanced flue	LPG	Coals	4.10	3.52	86%	Sequential	410	560	235
⊗ 112-196	E-Box™	Balanced flue	Nat. Gas	Pebbles	4.10	3.52	86%	Sequential	410	560	235
⊗ 112-540	E-Box™	Balanced flue	LPG	Pebbles	4.10	3.52	86%	Sequential	410	560	235

## FRAME AND FRONT INFORMATION

Product Code	Description	Frame Finish	Frame Size (mm)		
			w	h	d
<b>Complete Front Choice</b>					
8699GP	Fusion	Graphite	520	1127	38
8699IR	Fusion	Iridium	520	1127	38
8687BK	Futura	Black Glass	520	1127	48
912-396	Designio front	Graphite	595	615	68
912-018	Designio front	Iridium	595	615	68
8680MB	Dimension front	Matt Black	540	635	68
912-601	Evolution front	Stainless Steel	489	597	45
912-239	Progress front	Iridium	520	598	60
8679	Richmond front	Black Cast Iron	540	665	50
8696	Stockton Inset front	Black Cast Iron	529	601	128
8697MB	Winchester	Matt Black	508	619	55
8697P	Winchester	Polished	508	619	55

Product Code	Description	Frame Finish	Frame Size (mm)	
			w	h
<b>Fire Frame Choice</b>				
912-284	Arts frame	Matt Black	510	605
912-775	Arts frame	Polished Brass	510	605
912-658	Arts frame	Polished Stainless Steel	510	605
912-402	Arts frame	Brushed Stainless Steel	510	605
912-263	Box Profil frame	Matt Black		
912-374	Box Profil frame	Polished Brass		
912-307	Box Profil frame	Polished Stainless Steel-effect		
912-189	Box Profil frame	Brushed Stainless Steel-effect		

Product Code	Description	Frame Finish	Frame Size (mm)	
			w	h
<b>Fire Front Choice</b>				
901-425	Arts front	Matt Black	390	230
8282PBR	Arts front	Polished Brass	390	230
8282P	Arts front	Polished Chrome	390	230
901-296	Arts front	Highlight Polished	390	230
901-530	Arts front	Polished Brass-effect	390	230
901-476	Arts front	Polished Chrome-effect	390	230
8693MB	Holyrood front	Matt Black	385	210
8693PBB	Holyrood front	Polished Brass with black columns	385	210
8693HP	Holyrood front	Highlight Polished	385	210
8693P	Holyrood front	Polished Chrome	385	210
8694MB	Spanish front	Matt Black	385	210
8694HP	Spanish front	Highlight Polished	385	210
8694PBR	Spanish front	Polished Brass	385	210
8694P	Spanish front	Polished Chrome	385	210

## OPTIONS AND ACCESSORIES

Product Code	Description
8315	Spacer kit (75mm) for conventional flue E-Box™

# E-Studio™

## E-STUDIO™ FIRE INFORMATION

Product Code	Description	Flue Type	Gas Type	Fuel Effect	Heat Input (kW)	Heat Output (kW)	Efficiency	Remote Control	Opening Size (mm)		
									w	h	d
⊗ 112-284	E-Studio™	Conventional	Nat. Gas	White Stones	4.30	3.10	72%	Sequential	410	560	250
⊗ 112-597	E-Studio™	Conventional	LPG	White Stones	4.30	3.10	72%	Sequential	410	560	250
⊗ 112-236	E-Studio™	Balanced flue	Nat. Gas	White Stones	4.30	3.50	82%	Sequential	410	560	235
⊗ 112-732	E-Studio™	Balanced flue	LPG	White Stones	3.75	3.00	79%	Sequential	410	560	235

## FRAME AND FRONT INFORMATION

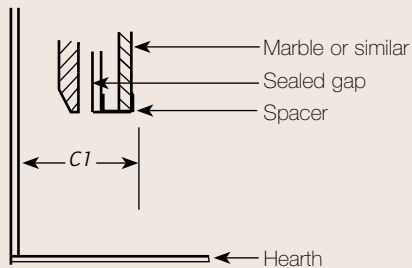
Product Code	Description	Frame Finish	Frame Size (mm)		
			w	h	d
<b>Complete Front Choice</b>					
8699GP	Fusion	Graphite	520	1127	38
8699IR	Fusion	Iridium	520	1127	38
8687BK	Futura	Black Glass	520	1127	48
912-396	Designio front	Graphite	595	615	68
912-018	Designio front	Iridium	595	615	68
8680MB	Dimension front	Matt Black	540	635	68
912-601	Evolution front	Stainless Steel	489	597	45
912-239	Progress front	Iridium	520	598	60
8695GP	Steel front	Graphite	850	670	32
8695IR	Steel front	Iridium	850	670	32
8697MB	Winchester	Matt Black	508	619	55
8697P	Winchester	Polished	508	619	55

Product Code	Description	Frame Finish	Frame Size (mm)	
			w	h
<b>Fire Frame Choice</b>				
912-284	Arts frame	Matt Black	510	605
912-775	Arts frame	Polished Brass	510	605
912-658	Arts frame	Polished Stainless Steel	510	605
912-402	Arts frame	Brushed Stainless Steel	510	605
912-263	Box Profil frame	Matt Black	503	604
912-374	Box Profil frame	Polished Brass	503	604
912-307	Box Profil frame	Polished Stainless Steel-effect	503	604
912-189	Box Profil frame	Brushed Stainless Steel-effect	503	604

Product Code	Description	Frame Finish	Frame Size (mm)	
			w	h
<b>Fire Front Choice</b>				
901-425	Arts fire front	Matt Black	390	230
8282PBR	Arts fire front	Polished Brass	390	230
8282P	Arts fire front	Polished Chrome	390	230
901-296	Arts fire front	Highlight Polished	390	230
901-530	Arts fire front	Polished Brass-effect	390	230
901-476	Arts fire front	Polished Chrome-effect	390	230

## ADDITIONAL INFORMATION

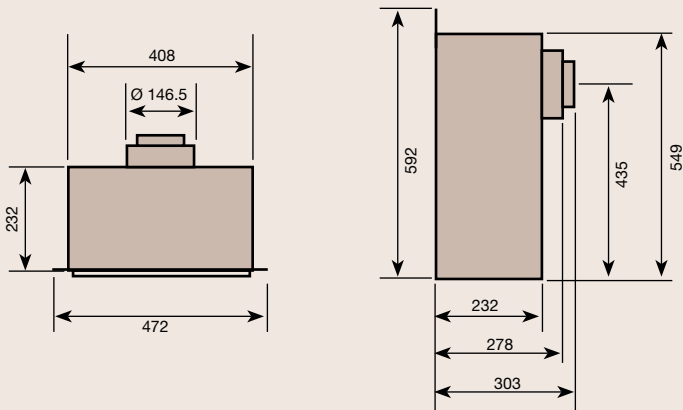
Installation of E-Box™ and E-Studio™ Conventional Flues into Pre-cast Flue installations. (minimum 16,500mm<sup>2</sup>)



If your chimney has a shallow 'starter block' then use spacer kit 8315 and a 3" (75mm) deep rebate surround to achieve the C1 dimension. Pre-cast flues with a deep 'starter block' may be installed in exactly the same way as a conventional masonry opening providing there is a depth of 8½" (215mm) at C1.

## Installation of E-Box™ and E-Studio™ Balanced Flue\*

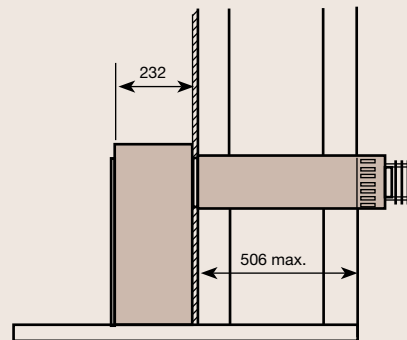
Overall external dimensions (mm)



**Additional Note:** Conventional E-Box™ and E-Studio™ fires require a minimum flue size of 5".

Diagrammatic representation only. Not accurate for installation purposes.

Min and max flue size length (mm)



E-Box™ and E-Studio™ Balanced Flue  
 Minimum Flue Length = 88mm  
 Maximum Flue Length = 506mm  
 Recessed in to a cavity or a false chimney breast

\* For more Balanced Flue information and options please refer to our Concentric Flue System brochure which can be viewed or downloaded online at [www.gazco.com](http://www.gazco.com)

# VFC Fires

## FIRE INFORMATION

Product Code	Description	Flue Type	Gas Type	Fuel Effect	Heat Input (kW)	Heat Output (kW)	Efficiency	Remote Control	Opening Size (mm)			
									w	h	d	
<b>16" VFC Convector Fires</b>												
8420UC	VFC Convector 16"	Class1/PF	Nat. Gas	Coals	9.45	4.75	50%	Upgradable	410	560	310	
P8420UC	VFC Convector 16"	Class1/PF	LPG	Coals	9.50	4.75	50%	Upgradable	410	560	310	
⊗ 8421UC	VFC Convector 16" (RD)	Class1/PF	Nat. Gas	Coals	6.85	3.43	50%	Upgradable	410	560	310	
⊗ P8421UC	VFC Convector 16" (RD)	Class1/PF	LPG	Coals	6.65	3.30	50%	Upgradable	410	560	310	
<b>22" VFC Convector Fires</b>												
8430UC	VFC Convector 22"	Class1/PF	Nat. Gas	Coals	12.30	6.15	50%	Upgradable	560	560	310	
P8430UC	VFC Convector 22"	Class1/PF	LPG	Coals	12.70	6.35	50%	Upgradable	560	560	310	
<b>16" VFC Tapered Fires</b>												
8300UC	VFC Tapered 16"	Class 1	Nat. Gas	Coals	9.45	2.35	25%	Upgradable	See table below			
P8300UC	VFC Tapered 16"	Class 1	LPG	Coals	9.50	2.40	25%	Upgradable	See table below			
⊗ 8301UC	VFC Tapered 16" (RD)	Class 1	Nat. Gas	Coals	6.85	1.70	25%	Upgradable	See table below			
⊗ P8301UC	VFC Tapered 16" (RD)	Class 1	LPG	Coals	6.65	1.65	25%	Upgradable	See table below			
<b>22" VFC Tapered Fires</b>												
8310UC	VFC Tapered 22"	Class 1	Nat. Gas	Coals	12.30	3.05	25%	Upgradable	See table below			
P8310UC	VFC Tapered 22"	Class 1	LPG	Coals	12.70	3.05	24%	Upgradable	See table below			

RD = Reduced Draught Fire (Input below 7kw does not normally require additional ventilation. Please refer to the installation instructions or discuss with your local Gazco retailer.)  
 Class 1/PF = Suitable for Class 1 chimneys or a powered flue installation

### VFC DIMENSIONS

	16"	22"
A	15" 380mm	20 <sup>3</sup> / <sub>4</sub> " 527mm
B	7 <sup>1</sup> / <sub>2</sub> " 190mm	7 <sup>1</sup> / <sub>2</sub> " 190mm
C	7" 180mm	7" 180mm
D	10 <sup>1</sup> / <sub>4</sub> " 260mm	16 <sup>1</sup> / <sub>4</sub> " 414mm

## FRAME AND FRONT INFORMATION

Product Code	Description	Frame Finish	Frame Size (mm)		
			w	h	d
<b>16" VFC Convector Complete Front Choice</b>					
8251GP	Designio front	Graphite	595	615	68
8251IR	Designio front	Iridium	595	615	68
8257BS	Evolution front	Stainless Steel	489	597	45
8253IR	Progress front	Iridium	520	598	60
8678	Richmond front	Black Cast Iron	540	635	50
956-355	Box Profil/Arts Paired	Matt Black	503	604	90
956-519	Box Profil/Arts Paired	Polished Brass-effect	503	604	90
956-083	Box Profil/Arts Paired	Polished Steel-effect	503	604	90
956-616	Box Profil/Arts Paired	Brushed Steel-effect	503	604	90
<b>22" VFC Convector Complete Front Choice</b>					
8252GP	Designio front	Graphite	730	615	68
8252IR	Designio front	Iridium	730	615	68
8259BS	Evolution front	Stainless Steel	639	597	45
8254IR	Progress front	Iridium	670	598	60

The above information is to assist you in your choice of a suitable Gazco fire. This is not intended to be all the information required to install your fire. This can be obtained from your local Gazco retailer or you can download the full installation instructions from the Gazco website at [www.gazco.com](http://www.gazco.com)



# VFC Fires

## FRAME AND FRONT INFORMATION

### VFC Convector and VFC Tapered Fire Front Choice

Description	Frame Finish	Product Code	16" Fires		22" Fires		
			Dimensions (mm)		Product Code	Dimensions (mm)	
			w	h		w	h
Arts fire front	Matt Black	901-425	390	230	N/A	N/A	N/A
Arts fire front	Polished Brass	8282PBR	390	230	N/A	N/A	N/A
Arts fire front	Polished Chrome	8282P	390	230	N/A	N/A	N/A
Arts fire front	Highlight Polished	901-296	390	230	N/A	N/A	N/A
Holyrood fire front	Matt Black with brass finials	8391	385	265	8393	540	265
Holyrood fire front	Polished Brass with black columns	8397	385	265	8399	540	265
Holyrood fire front	Highlight Polished	8150	385	210	8152	540	210
Holyrood fire front	Polished Chrome	8397P	385	210	8399P	540	210
Spanish fire front	Matt Black	8382	385	210	8384	540	210
Spanish fire front	Polished Brass	8388	385	210	8390	540	210
Spanish fire front	Highlight Polished	8153	385	210	8155	540	210
Spanish fire front	Polished Chrome	8388P	385	210	8390P	540	210

### VFC Convector Frame Choice

Description	Frame Finish	Product Code	16" Convector Fires		22" Convector Fires		
			Dimensions (mm)		Product Code	Dimensions (mm)	
			w	h		w	h
Arts frame	Matt Black	8284MB	510	605	N/A	N/A	N/A
Arts frame	Polished Brass	8284PBR	510	605	N/A	N/A	N/A
Arts frame	Polished Stainless Steel	8284P	510	605	N/A	N/A	N/A
Arts frame	Brushed Stainless Steel	8284BS	510	605	N/A	N/A	N/A
Decorative frame #	Matt Black	8285	505	610	8287	655	605
Decorative frame #	Polished Brass	8266	505	610	8268	655	605
Decorative frame #	Polished Stainless Steel	8232	505	610	8234	655	605
Decorative frame #	Brushed Stainless Steel	8235	505	610	8237	655	605
Profil (Standard) frame #	Matt Black	8345	490	600	8365	640	600
Profil (Standard) frame #	Polished Brass	8340	490	600	8360	640	600
Profil (Standard) frame #	Polished Stainless Steel	8342	490	600	8362	640	600
Profil (Standard) frame #	Brushed Stainless Steel	8229	490	600	8231	640	600
Profil (Wide) frame #	Polished Brass	8280	490	600	N/A	N/A	N/A

## ADDITIONAL INFORMATION

You can install a VFC Convector Fire with a Stovax Cast Iron Victorian, Art Nouveau or Combination Fireplace. Please consult your local Gazco and Stovax dealer for further information.

# If you are fitting a Decorative or Profil frame with an Arts Front, an additional fitting kit will be provided to ease installation.

\*\* The power flue kit includes 500mm flue pipe. Any extra flue pipe needs to be purchased separately, and needs to be of 125mm twin wall construction (not supplied by Gazco).

## OPTIONS AND ACCESSORIES

Product Code	Description
8455	Standard remote control kit for VFC Convector
8435	Power Flue kit for VFC coal convector fires, with brass wall switch. **
8435BS	Power Flue kit for VFC coal convector fires, with brushed steel wall switch **
8448	Rear exit flue adaptor for power flue kit
8449	Top exit flue adaptor for power flue kit
999-159	Safety terminal guard (required if power flue outlet is below 2 metres)

**Additional Note:** VFC fires require 7" minimum flue size.

# Important Information

## Technical Specifications

All specifications given in this brochure are approximate. Actual specifications for each individual product will vary according to model. Your Gazco retailer will be pleased to provide any further information you require or you may view/download specification sheets from [www.gazco.com](http://www.gazco.com)

## Installation

Gazco gas fires must be fitted by a qualified gas installer (GasSafe registered in the United Kingdom or Bord Gáis registered in the Republic of Ireland) who should also verify the proposed site conditions are fully suitable for the product selected. Complete installation instructions for many models can be obtained prior to purchase by viewing or downloading them from [www.gazco.com](http://www.gazco.com)

## Colours/Flame pictures

Owing to variations in studio lighting and printing inks, the finishes/colours of fires illustrated in this brochure may differ slightly from actual models. Before purchasing, please ask your retailer to show you finish/colour samples. Whilst all the flame pictures shown in this brochure are actual fires, flame pictures may vary depending on the installation, flue conditions and geographical/surrounding features that may effect the efficiency of the flue.

## Care and maintenance

Traditional materials, such as polished steel and brass, tarnish on contact with air, especially when also exposed to heat. To help minimise this effect, we recommend fires receive regular treatment with suitable proprietary cleaners. Additionally, please remember that gas fires will require servicing annually by a qualified gas installer (GasSafe registered in the United Kingdom or Bord Gáis registered in the Republic of Ireland).

## Warranty and product improvement



Your Gazco retailer will provide you with a Two Year Warranty for your new gas fire. The second year is dependant on the appliance being serviced 12 months after installation and excludes certain consumable parts. Full details of this warranty are available at [www.gazco.com](http://www.gazco.com).

Gazco pursue a policy of continuous product improvement, therefore, whilst our products are correct at the time of the photography, we reserve the right to make alterations and amendments. Exact product details should be discussed with your retailer at the time of purchase.

## Air ventilation for gas fires

To comply with gas appliance installation regulations, all Standard VFC Convector and tapered fires require additional ventilation into your room. Please consult either your Gazco retailer or the Gazco Technical Information on our website [www.gazco.com](http://www.gazco.com) to confirm the ventilation required. Gazco offer suitable wall and floor vents which are available from your local retailer. All other fires featured in this brochure do not normally require additional ventilation.



**Wall Vent** -  
One size;  
choice of brass  
or stainless steel



**Floor Vent** -  
Two sizes,  
brass only



Other products offered by the Gazco family that may be of interest to you include:



### Gazco Fires

[www.gazco.com](http://www.gazco.com)

Whether you want to create an up-to-the minute contemporary look, a more traditional style or the ultimate wow factor with our large format fires, we have hundreds of different fire and fire surround permutations for you to choose from. To receive a copy of the latest Gazco Fires brochure please call 01392 474061.



### Riva Cassette Fires & Multi-fuel Stoves

[www.stovax.com](http://www.stovax.com)

Express your individual style and create a striking centrepiece with a Riva convector, cassette or stove. This large selection of real fires is suitable for both traditional and contemporary interiors with many approved for Smoke Control Areas. To receive a copy of the latest Riva Open Convector Fires, Cassette Fires and Multi-Fuel Stoves brochure please call 01392 474055.



### Classic Fireplaces

[www.stovax.com](http://www.stovax.com)

Inspired by 19th Century designs and hand-cast to the same specification as Victorian and Georgian originals, Stovax Classic Fireplaces allows you to create the authentic look of a period fireplace but with the flexibility required for modern-day living. These fireplaces are available as solid fuel or gas fires. To receive a copy of the latest Classic Fireplaces brochure please call 01392 474055.



### Fireplace Surround Packages

[www.stovax.com](http://www.stovax.com)

Complement and enhance your new fire with a stylish and unique fireplace surround that will make your interior a design statement even when the fire is not lit. This stunning collection of 22 porcelain and natural stone tiles have been hand-picked to complement many Stovax and Gazco fireplaces, so you can create your ultimate look. Please visit [www.stovax.com](http://www.stovax.com) to download the latest Fireplace Surround Packages brochure.

Other product brochures from the Gazco family which may be of interest to you can be downloaded from our websites: [www.gazco.com](http://www.gazco.com); [www.yeoman-stoves.co.uk](http://www.yeoman-stoves.co.uk); [www.dovre.co.uk](http://www.dovre.co.uk). Gazco is a member of the Stovax group: [www.stovax.com](http://www.stovax.com)



Gazco gratefully acknowledges the assistance of the following companies with photographic settings:

Furnishings and Ornaments:- [www.furniturevillage.co.uk](http://www.furniturevillage.co.uk); [www.lauraashley.com](http://www.lauraashley.com); [www.faginsantiques.com](http://www.faginsantiques.com); [www.theorangetree.co.uk](http://www.theorangetree.co.uk); [www.houseoffraser.co.uk](http://www.houseoffraser.co.uk); [www.ashorejewellery.co.uk](http://www.ashorejewellery.co.uk); [www.eclectique.co.uk](http://www.eclectique.co.uk); [www.debenhams.com](http://www.debenhams.com); Pilgrim Antiques, Honiton

Wood Mantels:- [www.stovax.com](http://www.stovax.com) Stone Mantels:- [www.farmington.co.uk](http://www.farmington.co.uk); [www.bnsp.co.uk](http://www.bnsp.co.uk); [www.grandisson.com](http://www.grandisson.com); [www.rudloe-stone.com](http://www.rudloe-stone.com)

Tiles & Stone Floors:- [www.originalstyle.com](http://www.originalstyle.com) Lighting:- [www.amoslighting.co.uk](http://www.amoslighting.co.uk)



Logic Convector fire, coal fuel bed and Highlight Polished Holyrood front with Brushed Steel-effect Box Profil frame.  
Also Shown: Brompton Mantel and Chelsea Cast Iron front with inset panel available from Stovax.



### Gazco Limited

Osprey Road, Sowton Industrial Estate, Exeter, Devon, England EX2 7JG

Tel: 01392 261999 Fax: 01392 444148

E-mail: [info@gazco.com](mailto:info@gazco.com) Internet: [www.gazco.com](http://www.gazco.com)

*A member of the Stovax Group*

Your Gazco stockist:

£2.00

