



Caspian 60, 90 & 120 Series Fan Convector

Installation & User Guide

Dear Installer,

Thank you for installing our products, we hope it gives many years of service;

In the event of items missing or visible damage please contact our After Sales Service on 01245 324560.

We would be most grateful if you would leave this Installation & User Guide and the Guarantee Registration Card with the owner.

Thank you for your co-operation

Steve Russell
Customer Service Manager

Introduction

These heaters are primarily intended for installation directly onto a wall at low level. We recommend that this heater is stood on the floor and fixed to the wall. They must **not** be installed in bathrooms or other high humidity areas. Please contact us on 01245 324900 for details of products suitable for these applications.

These heaters are designed for use on standard two-pipe pumped central heating systems with a maximum water temperature of 86°C and a maximum pressure of 6 bar (88lbs/in²). Pipes are 22mm depending on model and either pipe may be used as flow or return.

These heaters are classified as a fixed appliance and electrical connection should be via a 3A-fused spur. The fused spur must **not** be directly above the heater but should be accessible after completion of the installation. All heaters must be earthed.

We recommend the use of full-flow isolating valves. The valves should be accessible after completion of the installation.

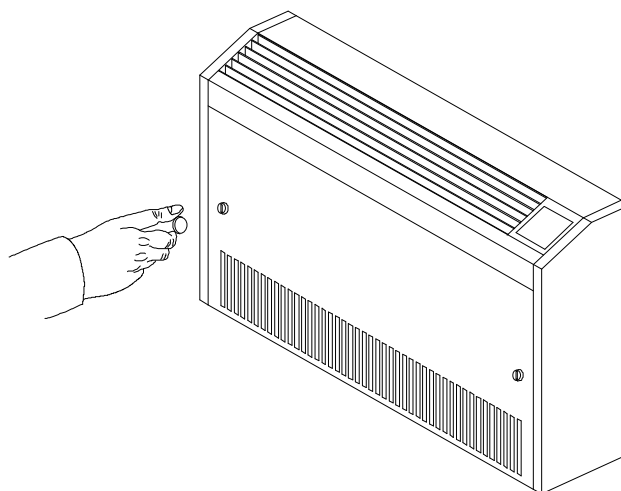
To avoid the possibility of vibration these units must be fitted on a flat even surface.

To conform to Building Regulations Part L (part J in Scotland), a remote room thermostat can be used in conjunction with this heater. Refer to the instructions supplied with the thermostat. For further details please contact our Technical Support on 01245 324560.

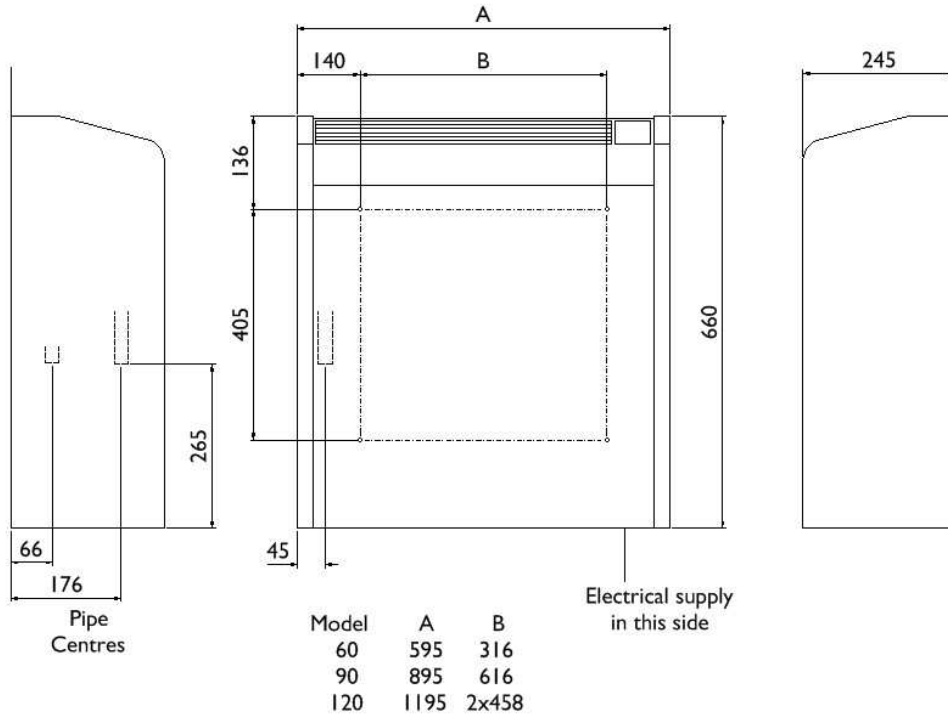
Please note the guarantee may be invalidated if this product is not installed and used in accordance with these instructions.

Installation Guide

1. Remove the front access cover using a small coin



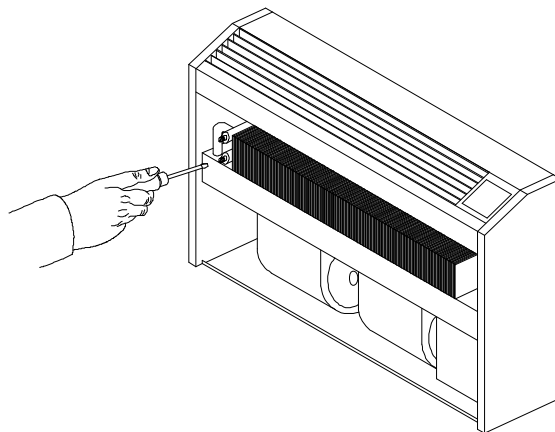
- Fix the product to the wall using appropriate fixings for the wall type. Refer to the diagram & table below for the fixing-hole positions.



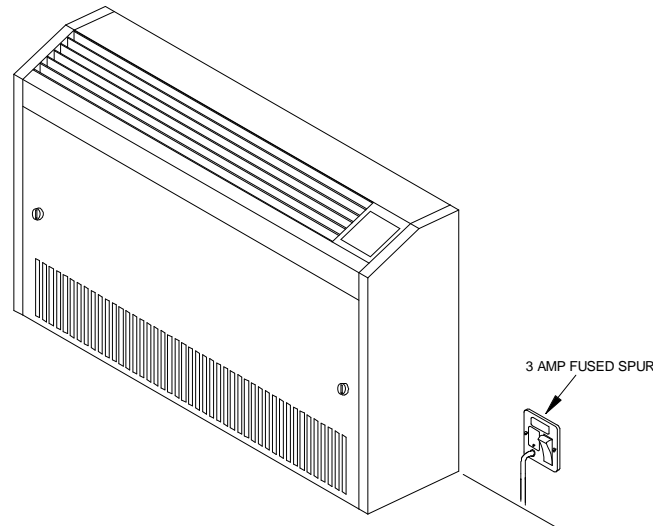
- Connect the heating system flow and return pipes to the heater pipe work. Do not use soldered fittings to the heater pipe work as the heat generated could damage internal wiring and components.

Note: We recommend the use of full flow service valves. The valves should be accessible after completion of the installation.

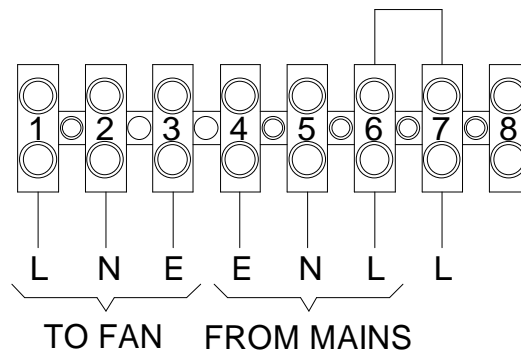
- Check for water leaks. Remove any trapped air from the unit via the built in bleed screw located as shown in the diagram below.



5. Isolate the electrical supply and connect the heater electric cable to the fused spur (3 amp). The fused spur must not be directly above the heater and must be accessible after the installation is complete.



6. Fit a thermostat if required. There is a connection facility within the heater. Remove link and attach wires to terminals 6 and 7 as diagram below.



Commissioning

1. Turn on the electrical supply at the fused spur
2. Turn the thermostat control (if fitted) to maximum.
3. Turn on the central heating system
4. Turn on the heater - see User Guide.
5. If these heaters are installed on the same circuit as panel radiators balance the central heating system
6. If the installation is working correctly remember to reset the thermostat control (if fitted) to its normal setting

Installation Continued

7. Replace the front access cover
8. Please leave this Installation & User Guide with the user for future reference

Heat Output Performance

Model	Heat Output (kW)	Heat Output (kW)	Heat Output (kW)
	High	Medium	Low
Caspian 60/03	3.4	3.2	2.9
Caspian 60/04	4.6	4.1	3.6
Caspian 90/06	6.7	6.2	5.6
Caspian 90/07	7.8	7.0	6.3
Caspian 120/10	11.4	10.4	8.6
Caspian 120/11	12.2	11.4	9.5
Caspian 120/12	13.1	12.2	10.4

75C inlet water temperature, 18C entering air temperature

It is recommended that these models are capable of maintaining the calculated heat loss at **medium** heat output enabling the boost setting to be used for faster heat up and the low speed for maintaining temperature.

Fault Finding

1. Fan does not run on any switch setting.
 - a. Check the power supply is switched ON.
 - b. Check fuse in the fused spur.
 - c. Check the wiring connections at the fused spur.
2. No heat output.
 - a. Vent any trapped air from the system (with the heating system turned OFF).
 - b. Check the central heating is switched ON.
 - c. If a thermostat is fitted ensure it is calling for heat.
 - d. Balance the central heating system if installed on the same circuit as panel radiators and increase the circulating pump speed if required.
 - e. Increase the boiler water temperature.

In the event of difficulty please contact our technical help-line on 01245 324560. It will be helpful if you do not disconnect the heater from the central heating system.

Smith's Environmental Products Ltd.,
Blackall Industrial Estate, South Woodham Ferrers, Chelmsford, Essex CM3 5UW
Tel: 01245 324900 After Sales: 01245 324560 Fax: 01245 324422
E-mail: info@smiths-env.com Web: www.smiths-env.com

In light of our policy of continuous development Smith's Environmental Products Ltd reserve the right to alter specifications without prior notice.



Caspian Fan Convector

User Guide

Dear Customer

We are delighted you have chosen our products and trust you are satisfied with the installation. We would ask you to take a few minutes to read through this User Guide. This will help you gain maximum benefit from your heater.

As with all our products your heater is covered by a free five-year parts & labour guarantee and we would be grateful if you complete and return the Guarantee Registration Card to us as soon as possible. This will ensure that should you require assistance we can help you quickly and efficiently.

Thank you for your co-operation.

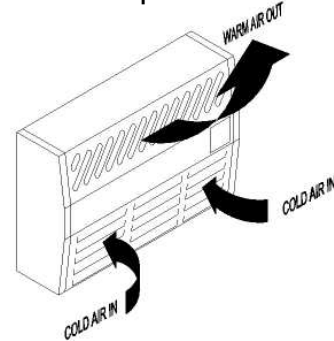
Steve Russell
Customer Service Manager
01245 324900

Your fan convector is designed to operate as part of your central heating system in the same way as a panel radiator. Providing you leave the heat output switch in either the low, medium or boost position it will switch on and off automatically with your central heating system.

How a fan convector works

Hot water from your central heating system passes through the heat exchanger transferring its heat to the aluminium fins. Cooler air is drawn in by the fan and heated as it passes over the heat exchanger before being expelled gently back into the room. This not only gives a

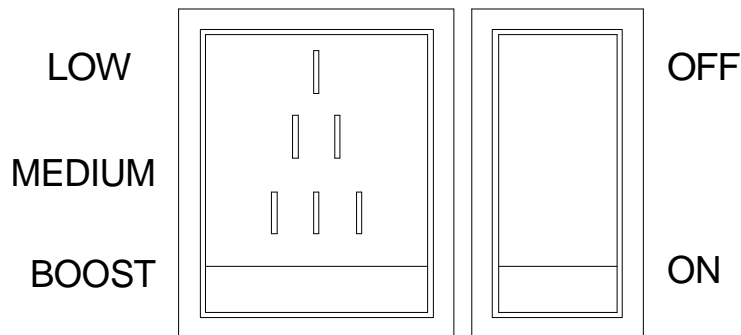
more even temperature spread but will heat a room up in less than half the time of a traditional steel panel radiator.



Fan convectors include an internal water temperature thermostat that prevents the fan from operating until the central heating system water passing through the heat exchanger reaches 42°C. This prevents cooler air being circulated at start up.

Heating - see diagram

Ensure your central heating system is **ON**. Switch on the heater (the neon switch will illuminate). Set the thermostat control (if fitted) to the desired temperature. Set the heat-output switch to medium output setting. Providing the water temperature in the central heating system is more than 42°C and the thermostat (if fitted) is calling for heat the product will switch on. If you require a faster warm up move the heat output switch to boost. When the room reaches the desired temperature you may move the heat-output switch to low.



Fault Finding

This heater is covered by a free five-year parts & labour guarantee. In the event of difficulty please contact our After Sales Service on 01245 324560. It will be helpful if you do not disconnect the heater from the central heating system.

Smith's Environmental Products Ltd.,
Blackall Industrial Estate, South Woodham Ferrers, Chelmsford, Essex CM3 5UW
Tel: 01245 324900 After Sales: 01245 324560 Fax: 01245 324422
E-mail: info@smiths-env.com Web: www.smiths-env.com

In light of our policy of continuous development Smith's Environmental Products Ltd reserve the right to alter specifications without prior notice.