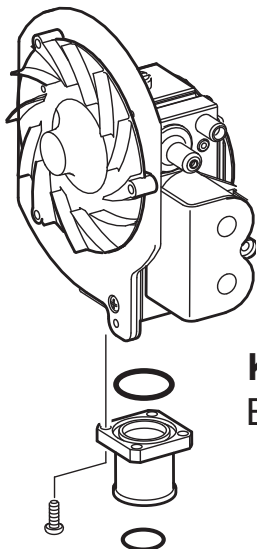


GAS VALVE (DUNGS)

IMPORTANT NOTES
THESE INSTRUCTIONS SUPERCEDE
THE GAS VALVE SETTING PROCEDURE CONTAINED
WITHIN THE ORIGINAL APPLIANCE LITERATURE.

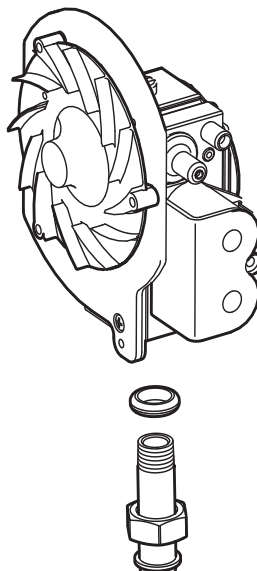
If the burner door is removed during the gas valve replacement a new door seal must be fitted.
Burner Door Seal kit - Part No. S1042500

0020096282



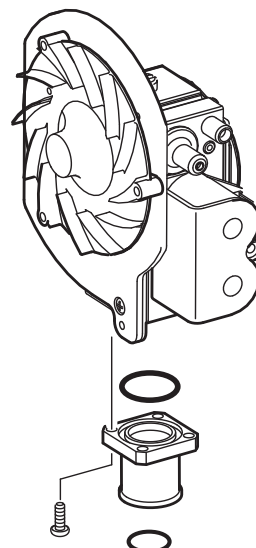
MODEL
Enviroplus F24E

KIT Pt. No. S1057500
Black scroll incl. Brass
Flange adaptor, 7 off
screws, 2 "O" rings



MODEL
Xeon 18 HE
Xeon 30 HE
Isotwin Condens
Isotwin Condens

KIT Pt. No S1043900
Grey scroll
incl. Brass liner
and grommet



MODEL
Enviroplus F28E
Enviroplus F28E SB

KIT Pt. No. S1057600
Red scroll incl. Brass
Flange adaptor, 7 off
screws, 2 "O" rings

Requirements

It is the Law that any replacement of parts is carried out by a **competent person** approved at the time by the Health and Safety Executive. Before commencing with the replacement of a part the boiler should be isolated from the electrical supply and the gas supply should be turned off at the gas isolation valve. When replacing a part, use only spare parts that you can be assured conform to the safety and performance specification that we require. Do not use reconditioned or copy parts that have not been clearly authorised by Saunier Duval. After electrical connections have been made, checks to the earth continuity, polarity, short circuit and resistance to earth must be repeated using a suitable multimeter. Unless stated otherwise, parts are replaced in the reverse order to their removal. After replacing these parts you **MUST** always test for gas soundness and carry out functional test of the controls and check the following:

General Inspection

After the replacement of a part, the following must be checked.

- The integrity of the flue system and flue seals.
 - The integrity of the appliance combustion circuit and relevant seals.
 - Electrical, gas and water connections.
 - System pressure.
 - the combustion performance, operational gas inlet pressure and gas rates.
- Refer to the following procedure.

ALL MODELS

Refer to the installation and servicing instructions supplied with your boiler to fit the replacement gas valve.

IMPORTANT. If the Burner Door was Removed

Fit the new combustion door seal kit fitted in accordance with the instructions provided.

Re-assembly

After assembly test for gas soundness and purge in accordance with the current issue of BS6891 or in IE, the current edition of I.S.813 "Domestic Gas Installations". Do not fit the inner or front case until the commissioning has been carried out as described in the following sections.

COMPETENCY TO CARRY OUT THE CHECK OF COMBUSTION PERFORMANCE

NOTE: BS 6798: 2009 Specification for installation and maintenance of gas-fired boilers of rated input not exceeding 70kW net advises that:

- The person carrying out a combustion measurement must be assessed as competent in the use of a flue gas analyser and the interpretation of the results.
- The flue gas analyser used should be one meeting the requirements of BS7927 or BS-EN50379-3 and be calibrated in accordance with the analyser manufacturers' requirements.
- Competence can be demonstrated by satisfactory completion of the CPA1 ACS assessment, which covers the use of electronic portable combustion gas analysers in accordance with BS 7967, parts 1 to 4.
- Ensure that the gas analyser is set to the correct fuel setting.

NOTE: Safe combustion can only be verified by measuring CO/CO₂ ratio. This must not exceed the value shown in the table on the back page.

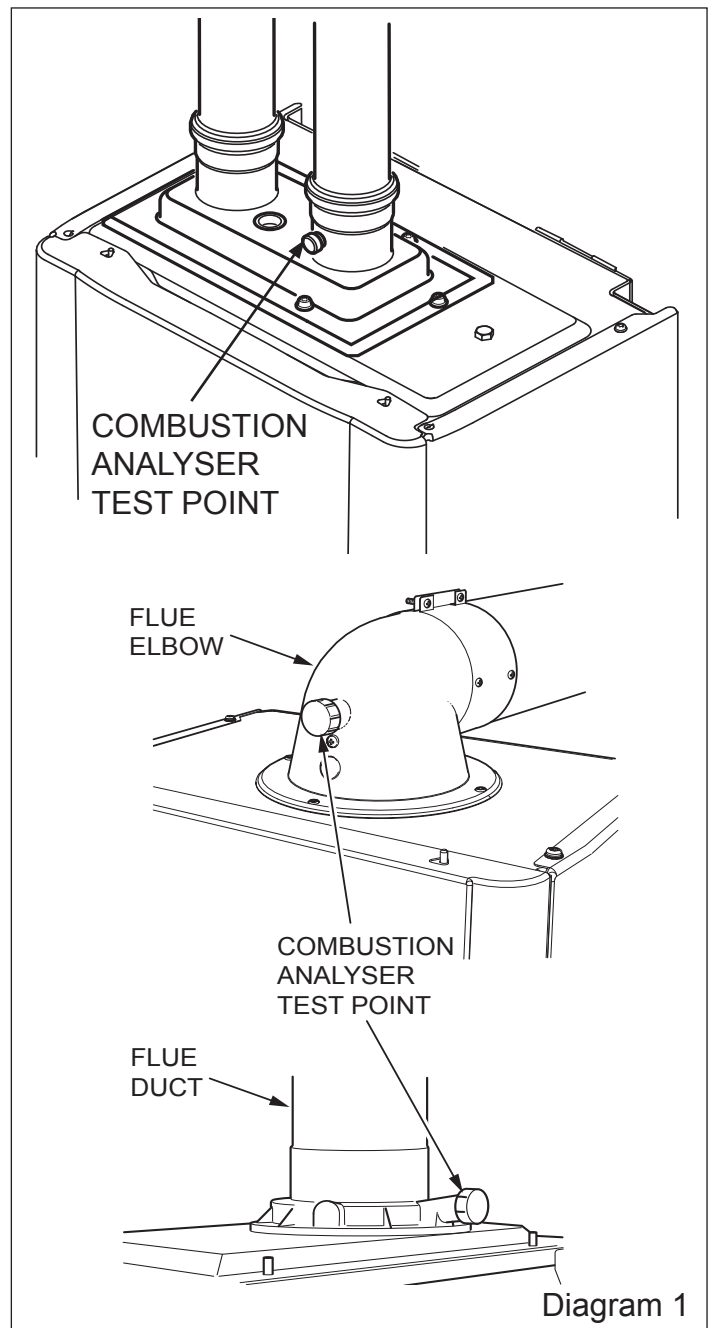


Diagram 1

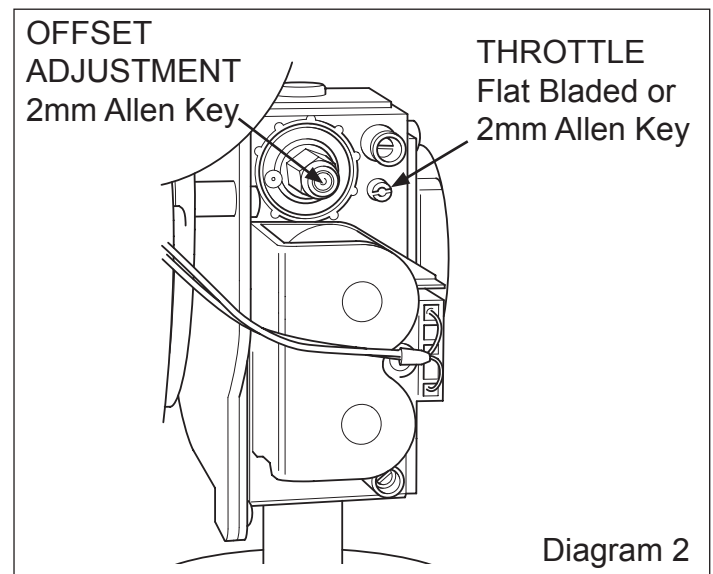


Diagram 2



LPG MODELS - ONLY

Refer to diagram 2 and turn the gas valve throttle fully clockwise, then turn the throttle anti-clockwise by $5\frac{1}{2}$ turns.

1. Turn on the electrical supply.
2. Ensure external controls are calling for heat.
3. Turn on the gas supply.
4. Turn on the appliance.
5. The boiler should fire automatically.

NOTE: LPG MODELS

If the appliance does not light & goes to lockout (F1), turn the throttle anti-clockwise 1 full turn. Reset the appliance. The appliance will (after a short delay) again attempt to fire. If necessary, repeat this procedure up to a total of 2 extra turns on the throttle screw, until the appliance lights. Several ignition attempts may be needed, to purge gas through the appliance, before a successful ignition is achieved.

ALL MODELS

With the appliance cold.

Connect a CO₂ combustion analyser to the appropriate test point, see diagram 1.

Maximum Rate Check and Adjustment

Refer to the instructions supplied with your appliance and set the maximum rate.

Check and adjust CO₂ as necessary.

NOTE: Adjustment is made by turning the throttle an $\frac{1}{8}$ of a turn, waiting 1 minute to allow the appliance to stabilise before checking or making further adjustments.

- Rotate the "throttle" (anti-clockwise to increase), to the required CO₂, refer to diagram 2 and the "SETTING" column in the table.
- Now proceed to check the minimum rate adjustment. Set appliance to minimum rate.

Minimum Rate Check and Adjustment

Refer to the instructions supplied with your appliance and set the minimum rate.

Check and adjust CO₂ as necessary.

Adjustment is made by turning the offset adjustment, see diagram 2.

If adjustment is necessary, proceed as follows:

NOTE: Adjustment of the CO₂ at minimum rate is very coarse and should not be adjusted more than an $\frac{1}{8}$ of a turn at a time. Wait 1 minute to allow the appliance to stabilise before checking or making further adjustments.

- Gradually rotate the "offset adjustment" (anti-clockwise to decrease) to the required CO₂, refer to diagram 2 and the "SETTING" column in the table.

Re-Check CO₂ and check the CO/CO₂ combustion ratio.

- Re-check the maximum and minimum CO₂ values to ensure that they are within the "setting" limits in the table then check the CO/CO₂ combustion ratio does not exceed the value in the CO/CO₂ column of the table. If the CO/CO₂ setting exceeds the value in the table, a complete servicing of the appliance will be necessary, refer to the servicing instructions

Check the Gas Inlet Pressure and Gas Rate

On completion, test the gas installation for tightness using the pressure drop method and suitable leak detection fluid, purge in accordance with the above standard.

NOTE: Due to the modulating operation of the boiler and the need to check the gas inlet pressure and measure the gas rate at maximum rate, it will be necessary to force it to maximum.

Operational Gas Inlet Pressure

With ALL other gas appliances operating, check the operational supply pressure at the gas service isolation valve test point, refer to your Installation literature supplied with your appliance.

The nominal supply pressure for Natural Gas (G20) is 20mbar.

The nominal supply pressure for LPG (G31) is 37mbar.

Turn the taps and appliances off, then disconnect the pressure gauge.

Additionally the safe nominal maximum heat input of the appliance can be achieved at an inlet pressure down to 15mbar.

NOTE: The BURNER PRESSURE cannot be measured and is not used to measure the gas rate.

Gas Rate

Make sure that ALL other gas burning appliances and pilot lights are off.

Check the gas rate using the gas meter test dial and stop watch, at least 10 minutes after the burner has lit.

In communal or LPG installations where the gas rate cannot be measured it is acceptable to measure the combustion rate as described in the servicing section.

On completion, reset the boiler to normal operation by referring to the Installation and Servicing Instructions.

Completion

If it is not possible to achieve the required results for either the combustion or gas rates, it will be necessary to complete a full service of the appliance and then repeat the combustion check procedure. If after servicing and adjustment of the appliance the combustion values are still unacceptable and after further remedial work has been carried out, the appliance must be disconnected until the CO/CO₂ ratio is acceptable. Advice can be sought from the Saunier Duval Technical Helpline 01773 828400.



% CO₂ TABLE

Models	SETTING % CO2 Nat. Gas G20 - Case Off		SETTING % CO2 Propane G31 - Case Off		CO/CO2 MAX
	Min.	Max.	Min.	Max.	
Enviroplus F24E	8.3 +/-0.2	9.2 +/- 0.2	NA	NA	0.004
Xeon 18 HE	9.1 +0.2 -0.5	9.1 +0.2 -0.5	NA	NA	0.004
Xeon 30 HE	9.1 +0.2 -0.5	9.1 +0.2 -0.5	10.5 +0.3 -0.7	10.5 +0.3 -0.7	0.004
Isofast Condens F24E	9.0 +/-0.2	9.0 +/- 0.2	10.1 +/-0.2	10.5 +/-0.2	0.004
Isotwin Condens	9.0 +/-0.2	9.0 +/- 0.2	10.1 +/-0.2	10.5 +/-0.2	0.004
Enviroplus F28E	8.3 +/-0.2	9.2 +/- 0.2	NA	NA	0.004
Enviroplus F28E SB	8.3 +/-0.2	9.2 +/- 0.2	NA	NA	0.004

0020096282-02 01.10

