



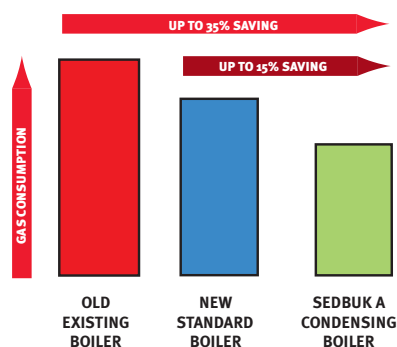
Saunier Duval

Thema CONDENS

**High Efficiency
Condensing Boilers**



Thema CONDENS F18E System boiler
Thema CONDENS F24E Combination boiler
Thema CONDENS F30E Combination boiler



Energy Efficiency Recommended is an Energy Saving Trust initiative backed by the government. The logo is only found on products that have been carefully selected for their energy efficiency. Buy where you see the sign and help save energy, money and the environment.



Over a decade of pioneering experience in manufacturing high efficiency means that Saunier Duval is renowned throughout Europe as a name that provides you with innovative home heating solutions, creating a range of high efficiency boilers suitable for all applications. Right across the continent, we have built a reputation for providing our customers with the greatest possible comfort and peace of mind.

High Efficiency, low bills

Condensing boilers take more heat from the combustion gases and use energy that would otherwise be wasted. There are a number of benefits to be gained by fitting a high efficiency boiler:

- 1. It saves money** – a SEDBUK A condensing boiler typically consumes 30-35% less gas than an old existing boiler so bills will be lower.
- 2. It saves the planet** – fitting a condensing boiler contributes to reducing greenhouse gas emissions.

Thema CONDENS High Efficiency boilers

The Thema CONDENS range of condensing boilers combine exceptional product quality with excellent levels of heating and hot water comfort. Reliable and simple to install the Thema CONDENS range is designed to meet the needs of installers and end users alike.

Reliability

- The high grade stainless steel heat exchanger provides excellent corrosion resistance.
- The filters on mains water inlet and central heating return prevent blockages.
- A daily pump exercise program delivers assured product performance every day of the year.

Comfort

- Impressive heating and hot water output makes Thema CONDENS the perfect choice for your home.
- The easy to use control panel including a 24 hour timer (on combi models only) allows you to control your heating effectively.

Simplicity

- The telescopic flue makes installation easier with no need to cut to fit.
- Built in filling loop and system pass saves time by removing the need for extra external plumbing.
- Multiple fixing point options making fixing easy in all types of house.
- Pipe connection tails clip distance from the wall means easy connection of system pipework.

Flexibility

- Extensive flueing options and frost protection means Thema CONDENS can be sited almost anywhere.
- The Saunier Duval Plume Diverter Kit is fully compatible with Thema CONDENS, allowing any flue termination or plumbing issues to be overcome.
- Zero compartment ventilation means the products can be installed in a cupboard or compartment.

Efficiency

- All Thema CONDENS boilers achieve a SEDBUK A rating – the highest efficiency rating achievable.
- Adaptive regulation provides an excellent level of domestic comfort whilst keeping fuel consumption to a minimum.



2 year warranty*



SEDBUK A rated



Built-in timer



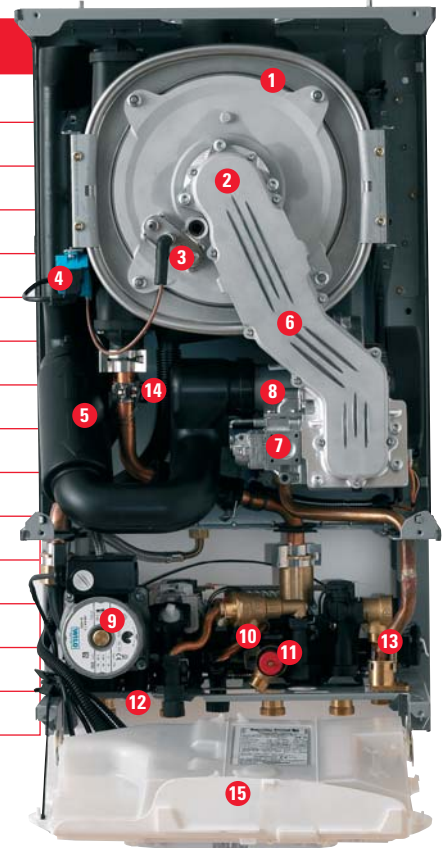
Self diagnostics



*1 year labour, 2 years parts.

F24E/F30E features

- 1 Stainless steel heat exchanger
- 2 Burner
- 3 Ignition electrode
- 4 Spark generator
- 5 Silencer
- 6 Mixing Arm
- 7 Air/gas ratio controller
- 8 Fan
- 9 Pump
- 10 Filling loop
- 11 Pressure relief valve
- 12 Central heating return filter
- 13 Diverter Valve
- 14 Overheat cut off switch
- 15 Control box



Overview – F24E and F30E

The Thema CONDENS range of condensing combination boilers combine exceptional product quality with excellent levels of heating and hot water comfort. Reliable and simple to install the Thema CONDENS range is designed to meet the needs of installers and end users alike. Packed with features and benefits the Thema CONDENS includes on-board diagnostics with LCD display, an integral 24 hour timer, anti-seizure controls and frost protection making it both reliable and user friendly.

And for those who live without a mains gas supply, Thema CONDENS can be converted to G31 propane in the field without the use of a conversion kit.

Control panel

Easy to use control panel which includes a built in 24 hour timer, LCD display with on-board diagnostics and fault code display.

Stainless steel heat exchanger

High grade stainless steel provides excellent corrosion resistance and product reliability.

House suitability

Suitable for a typical 1/2 bedroom apartment/flat and a typical 2/3 bedroom house.





Overview F18E

The Thema CONDENS F18E system boiler is the perfect choice for a home that needs lots of hot water. Despite the impressive output the Thema CONDENS system boiler is compact, fitting into almost any location. For the best possible performance use in conjunction with any Saunier Duval AQ CYL unvented cylinder.

Stainless steel heat exchanger

High grade stainless steel provides excellent corrosion resistance and product reliability.



2 year warranty*



SEDBUK A rated



Timer compatible



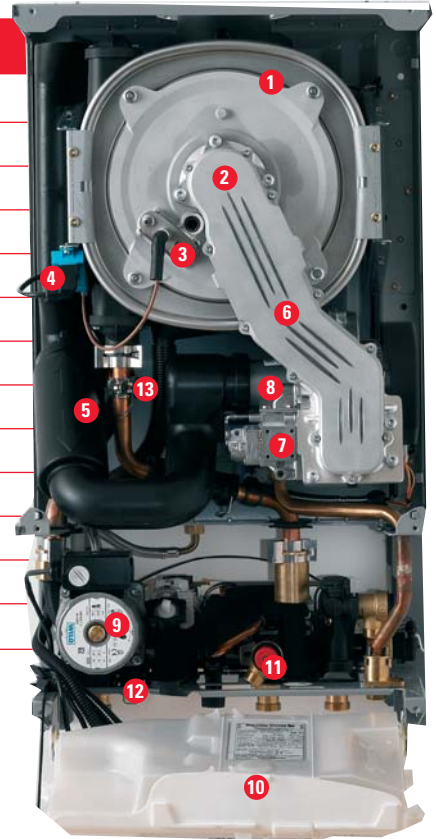
Self diagnostics



*1 year labour, 2 years parts.

F18E features

- 1 Stainless steel heat exchanger
- 2 Burner
- 3 Ignition electrode
- 4 Spark generator
- 5 Silencer
- 6 Mixing arm
- 7 Air/gas ratio controller
- 8 Fan
- 9 Pump
- 10 Control box
- 11 Pressure relief valve
- 12 Central heating return filter
- 13 Overheat cut off switch



House suitability

Typical 3 bedroom house.



Service for peace of mind

At Saunier Duval we are committed to giving you peace of mind and our service offer is designed to do just that.

We have an unrivalled national service network, and in the unlikely event of a problem, you can reach our call centre 7 days a week 364 days a year, with our team of highly trained service engineers on call 6 days a week throughout the year.

All this combines to ensure Saunier Duval provides the most professional, flexible and highest quality service possible to all of our customers.



Warranty for confidence and satisfaction

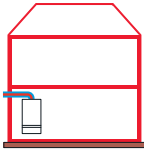
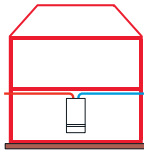
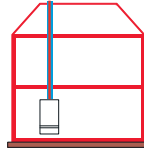
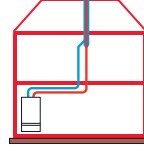
All Saunier Duval condensing boilers are supported by a 2 year parts warranty and a 1 year labour warranty to ensure your long term confidence and satisfaction. For ultimate peace of mind, you can choose one of our Extended Warranty options.

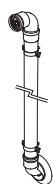
Technical helpline	01773 828 400
General helpline	0870 606 4351
In-Warranty service	01773 525 914
Installer training	01773 596 174



Technical specifications and Flue options

Thema CONDENS technical specifications			
Model	F24E	F30E	F18E
Household suitability	Typical 1/2 Bedroom Apartment/Flat	Typical 2/3 Bedroom House	Typical 3 Bedroom House
Output heating 80°C / 60°C	17.9 kW	23.6 kW	17.9 kW
Output heating 50°C / 30°C	19.6kW	25.8kW	19.6kW
Output DHW	24.0 kW	29.6 kW	N/A
Flow rate @ 35°C Δt	10 l/min	12 l/min	N/A
Weight	40.5 kg	40.5 kg	40.5 kg
Clock	Built-in	Built-in	Compatible
Gas type	Nat/LPG	Nat/LPG	Nat/LPG
Min water supply pressure	0.5 bar	0.5 bar	N/A
Max system capacity @ 75°C	160 l	160 l	160 l
SEDBUK rating	A	A	A
DIMENSIONS			
Height	742 mm	742 mm	742 mm
Width	410 mm	410 mm	410 mm
Depth	370 mm	370 mm	370 mm
CLEARANCES			
Top	150 mm	150 mm	150 mm
Bottom	200 mm	200 mm	200 mm
Side	5 mm	5 mm	5 mm
Flue Type	Fan flued	Fan flued	Fan flued
Flue Size	100 mm	100 mm	100 mm
Max flue length horizontal	5.5 m	5.5 m	5.5 m
Max flue length vertical	6.5 m	6.5 m	6.5 m
Max flue length twin flue	40 m	40 m	40 m

Flue options
Horizontal concentric flue 
Horizontal twin pipe flue 
Vertical concentric flue 
Vertical twin pipe flue 
For a comprehensive guide to flueing, please call 01773 596 190



Plume Diverter Kit

The Saunier Duval Plume Diverter Kit makes siting your boiler easy by enabling you to overcome any flue termination or plumbing issues. All boilers in the Thema CONDENS range are fully compatible with the Plume Diverter Kit.



Water Research Council approved. British Gas Service Listed. C.E. Energy Efficiency Recommended is an Energy Saving Trust initiative backed by the government. The logo is only found on products that have been carefully selected for their energy efficiency. Buy where you see the sign and help save energy, money and the environment.

Saunier Duval pursues a policy of continuous product improvement and reserves the right to alter specification and design without prior notice.



Saunier Duval

Nottingham Road, Belper,
Derbyshire DE56 1JT
Telephone 0870 606 4351
Facsimile (01773) 820569
www.saunier-duval.co.uk