

CE

The Euromatic Range

Series 2

OEM Instructions
for DH Units

WARNING: THIS APPLIANCE MUST BE EARTHED

CONTENTS

<i>Section</i>	<i>Title</i>	<i>Page</i>
1.	Introduction	3
2.	Technical Data	4
3.	General Requirements	8
4.	Installation	9
5.	Wiring Diagrams	11
6.	Airflow Resistance	20

<i>Tables</i>	<i>Title</i>	<i>Page</i>
1.	Dimensions	6
1a.	Exhaust Fan Mounting Plate Inlet Diameters	6
2.	Specifications	6
3.1	Injector Sizes & Burner Pressures	
	Natural Gas - Group H - G20	7
3.2	Injector Sizes & Burner Pressures	
	Propane - G31	7
3.3	Injector Sizes - Butane - G30	7

<i>Figure</i>	<i>Title</i>	<i>Page</i>
1a.	Vertical - Top outlet flue arrangement	8
1b.	Horizontal - Side outlet flue arrangement	8
1c.	Horizontal - Top outlet flue arrangement	8
1d.	Typical AHU Flue / Combustion Air	8
2.	Controls Location	10

<i>Wiring Diagram</i>		<i>Page</i>
Euromatic 15 -75	Single Stage Burner	11
Euromatic 15 -75	Hi / Lo Burner	12
Euromatic 15 -75	0-10V Modulating	13
Euromatic 90	Single Stage Burner	14
Euromatic 90	Hi / Lo Burner	15
Euromatic 90	0-10V Modulating	16
Euromatic 105-150	Single Stage Burner	17
Euromatic 105-150	Hi / Lo Burner	18
Euromatic 105-150	0-10V Modulating	19

<i>Airflow Resisances</i>		<i>Page</i>
Euro 15-60 DH		20
Euro 75-150 DH		21

<i>Flue Components</i>		<i>Page</i>
Euro 15-60 DH	Vertical flue arrangement	22
Euro 15-60 DH	Horizontal flue arrangement	23
Euro 75-150	Vertical flue arrangement	24
Euro 75-150	Horizontal flue arrangement	25
Euro 15-150 DH	Standard parts	26

1. INTRODUCTION

The Euromatic DH range of gas fired air heaters cover a heat output range of 15kW to 150kW, have a closed combustion circuit and are supplied complete with a flue system and are for installation into air handling and similar equipment. They are certified for use on Natural Gas, Group H - G20, Propane - G31 and Butane - G30. Appliance Categories are Cat II2H3+.

The heaters are designed to be fitted into air handling and similar equipment.

Heaters are fitted as standard with atmospheric bar burners, a fully automatic control for ignition, flame sensing, gas supply control and safety functions, an internal exhaust fan, fan thermostat and limit thermostat and both inlet and outlet duct connection spigots. As standard Natural Gas fired units are fitted with modulating burner controls operating at the dictate of an external 0-10V signal, at 0V the burners are turned off.

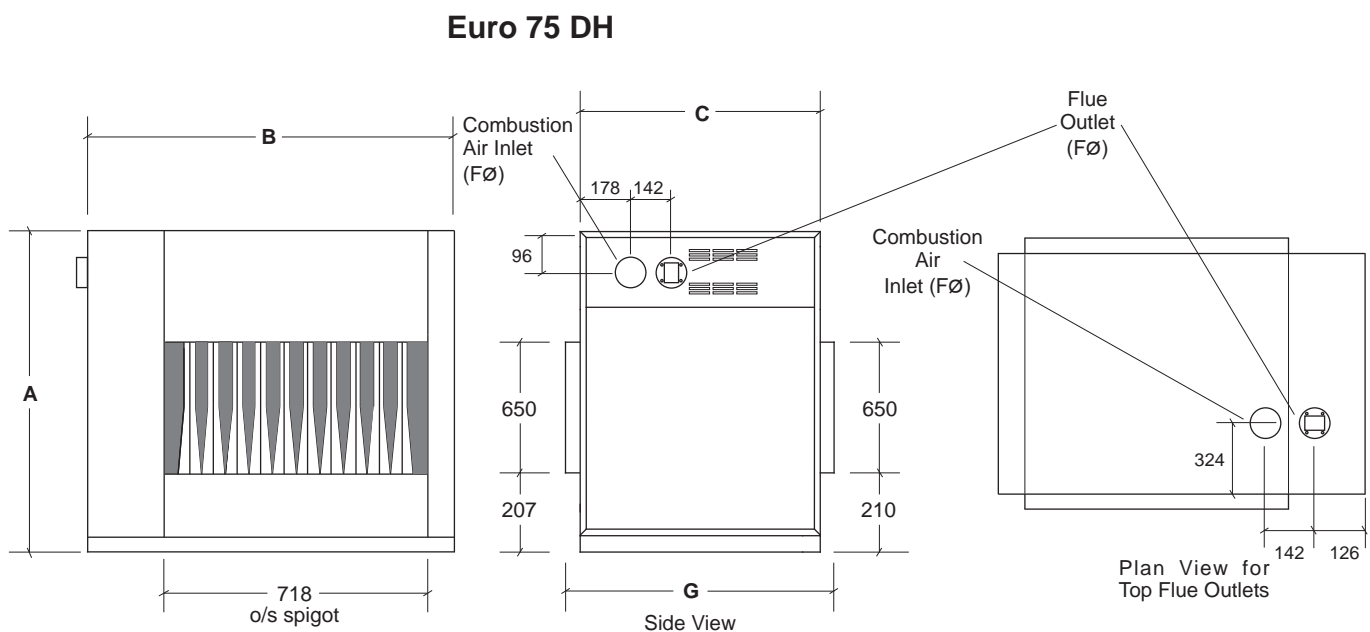
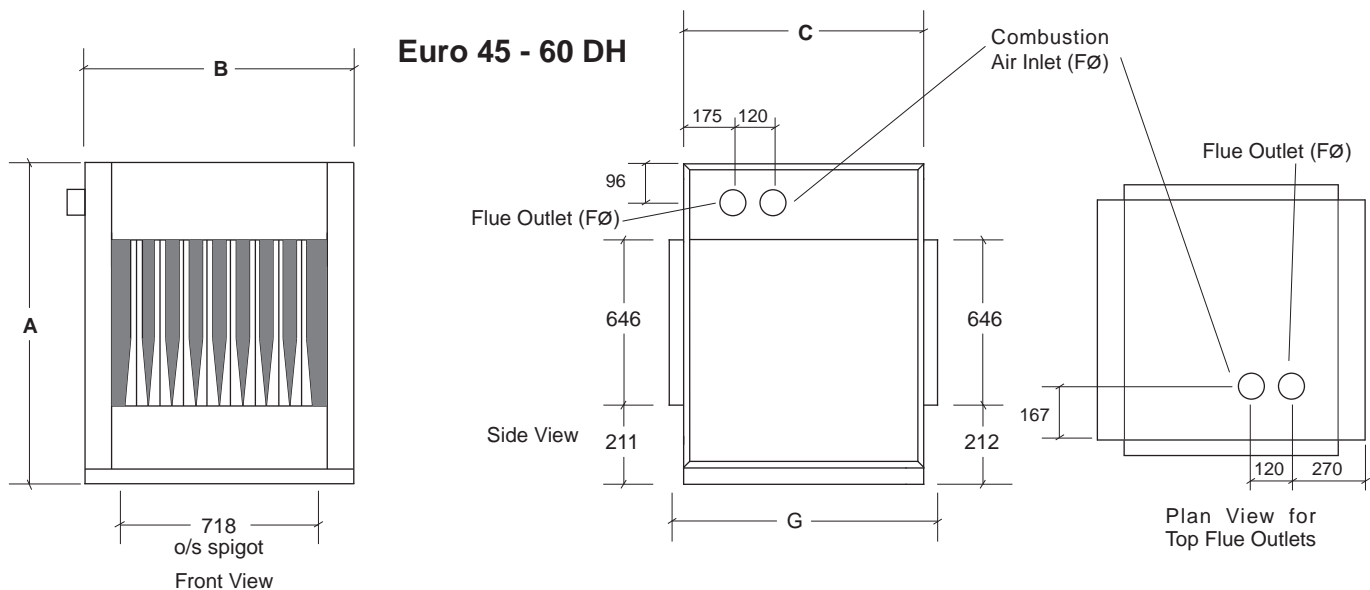
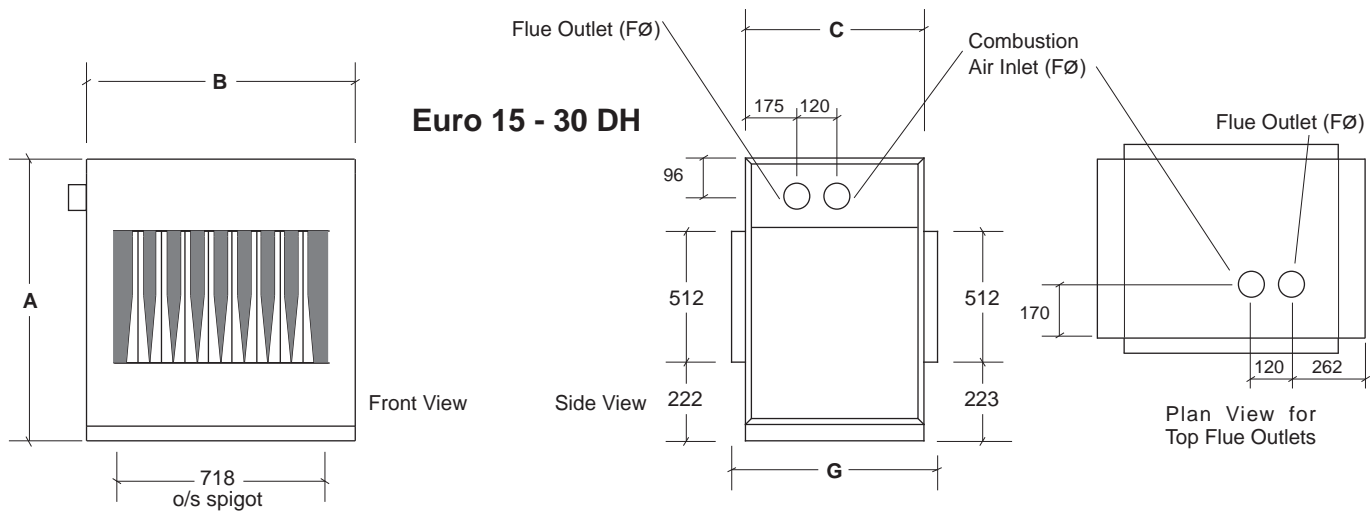
High/Low burner controls are available as an option on Natural Gas fired units.

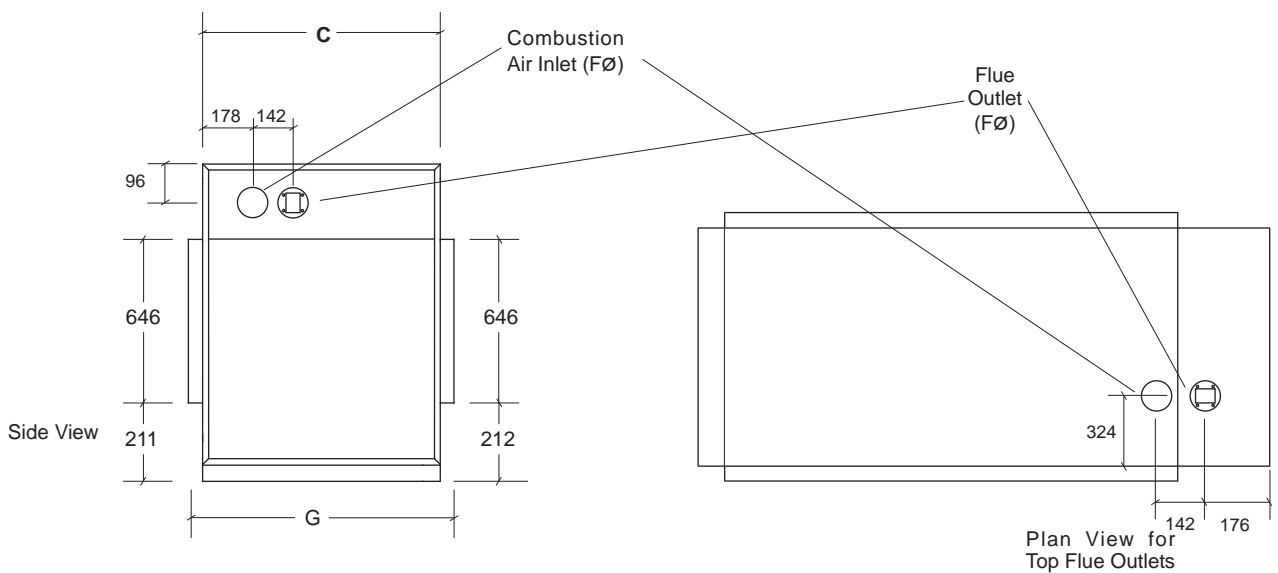
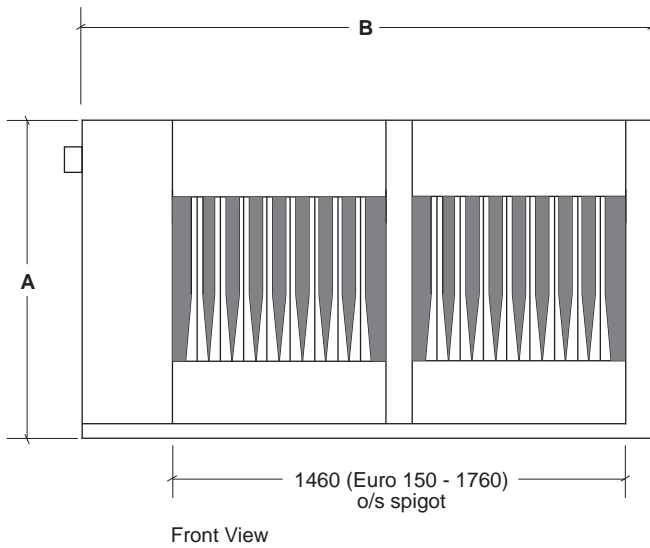
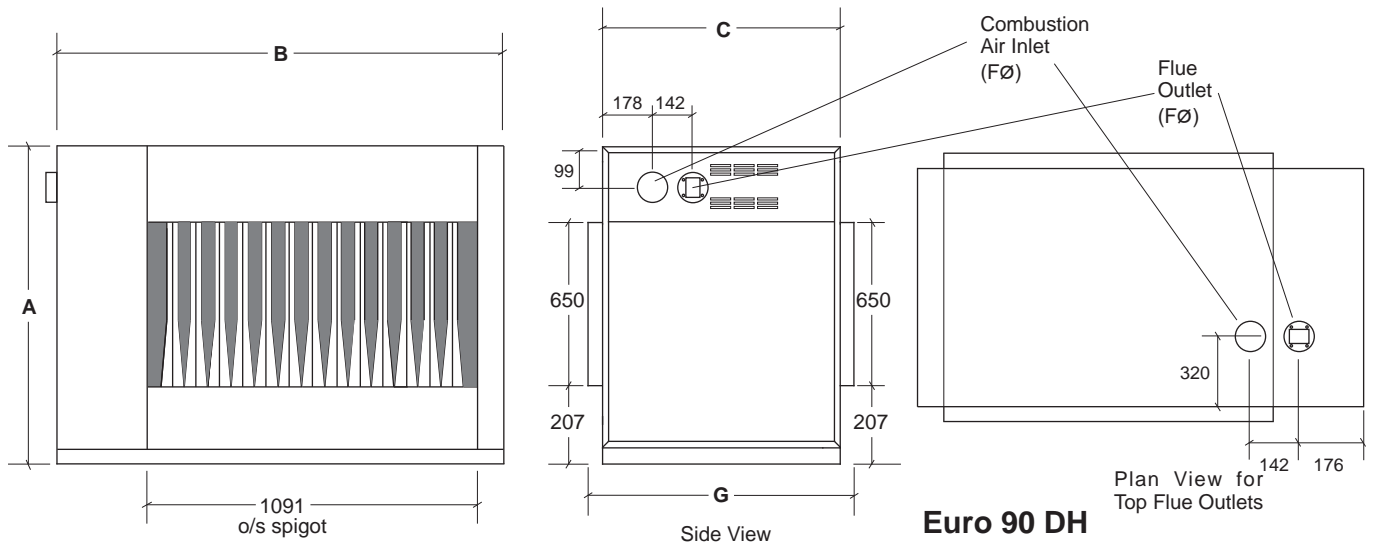
Gas Safety (Installation & Use) Regulations 1994

It is law that all gas appliances are installed, adjusted and, if necessary, converted by qualified persons* in accordance with the above regulations. Failure to install appliances correctly can lead to prosecution. It is in your own interests and that of safety to ensure that the law is complied with.

* e.g. Corgi Registered

2 Technical Data





**Table 1
Dimensions**

	A	B	C	F	G
Euro 15	960	875	595	81	695
Euro 22					
Euro 30					
Euro 45	1083	1125	795	101	895
Euro 52					
Euro 60					
Euro 75					
Euro 90					
Euro 105					
Euro 120					
Euro 150	2059				

Table 1a - Exhaust Fan Mounting Plate Inlet Diameters

Euro 15	Euro 22	Euro 30	Euro 45	Euro 52	Euro 60	Euro 75	Euro 90
34	42	50	60	70	90	N/A	N/A

Note: Length, in mm, of oblong notch on plate side equals unit size.

Table 2 - Specifications

MODEL	HIGH FIRE		LOW FIRE		MINIMUM AIRFLOW REQUIREMENT	AIR VOLUME FOR 20°C r T @ High Fire	PRESSURE DROP AT AIRFLOW FOR 20°C r T	WEIGHT
	INPUT (Nett)	OUTPUT	INPUT (Nett)	OUTPUT				
	kW		kW					m³/s
Euro 15	17.05	15.0	8.92	7.5	0.4100	0.6048	33	100
Euro 22	25.57	22.5	13.39	11.25	0.6000	0.9072	67	100
Euro 30	34.09	30.0	17.85	15.0	1.8300	1.2096	53	100
Euro 45	51.14	45.0	26.78	22.5	1.3000	1.8144	138	140
Euro 52	59.66	52.5	31.25	26.25	1.4400	2.1168	143	140
Euro 60	68.18	60.0	35.71	30.0	1.6600	2.4192	152	140
Euro 75	85.23	75.0	44.64	37.5	2.0600	3.0240	155	166
Euro 90	102.27	90.0	53.57	45.0	2.4800	3.6288	237	200
Euro 105	119.32	105.0	59.66	52.5	2.9000	4.8384	152	280
Euro 120	136.36	120.0	68.18	60.0	3.3100	6.0480	155	280
Euro 150	170.46	150.0	85.23	75.0	4.1400	7.2576	237	332

Table 3.1
Injector Sizes & Burner Pressures Natural Gas - Group H - G20 Net CV (Hi) = 34.02MJ/m³
Inlet pressure 20mbar

Inlet Pressure 20mb	INJECTORS			High Fire		Low Fire	
				Burner Pressure	Gas Rate	Burner Pressure	Gas Rate
MODEL	No.	Size mm	Marked	mbar	m ³ /h	mbar	m ³ /h
Euro 15	5	1.51	151	18.2	1.8	4.5	0.94
Euro 22	6	1.70	170	15.5	2.7	4.5	1.41
Euro 30	8	1.70	170	15.5	3.6	4.5	1.89
Euro 45	6	2.46	246	15.5	5.41	4.5	2.83
Euro 52	7	2.46	246	15.5	6.31	4.5	3.30
Euro 60	8	2.46	246	15.5	7.21	4.5	3.77
Euro 75	10	2.46	246	15.5	9.01	4.5	4.72
Euro 90	13	2.60	260	12.0	10.82	4.1	5.41
Euro 105	14	2.46	246	15.5	12.62	4.5	6.60
Euro 120	16	2.46	246	15.5	14.42	4.5	7.54
Euro 150	20	2.60	260	12.0	18.02	4.1	9.44

Table 3.2
Injector Sizes & Burner Pressures - Propane G31 - Net CV (Hi) = 88.00MJ/m³
Inlet Pressure 37mbar

Inlet Pressure 37mb	INJECTORS			High Fire		Low Fire	
				Burner Pressure	Gas Rate	Burner Pressure	Gas Rate
MODEL	No.	Size mm	Marked	mbar	m ³ /h	mbar	m ³ /h
Euro 15	5	0.93	120	N/A	0.70	N/A	N/A
Euro 22	6	1.04	150	N/A	1.05	N/A	N/A
Euro 30	8	1.04	150	N/A	1.39	N/A	N/A
Euro 45	6	1.45	280	N/A	2.09	N/A	N/A
Euro 52	7	1.45	280	N/A	2.44	N/A	N/A
Euro 60	8	1.45	280	N/A	2.79	N/A	N/A
Euro 75	10	1.51	300	N/A	3.48	N/A	N/A
Euro 90	13	1.51	300	N/A	4.18	N/A	N/A
Euro 105	14	1.45	280	N/A	4.88	N/A	N/A
Euro 120	16	1.51	300	N/A	5.58	N/A	N/A
Euro 150	20	1.51	300	N/A	6.96	N/A	N/A

Table 3.3
Injector Sizes & Burner Pressures Butane G30 Net CV (Hi) = 116.09MJ/m³
Inlet pressure 29mbar

Inlet Pressure 29mb	INJECTORS			High Fire	
				Burner Pressure	Gas Rate
MODEL	No.	Size mm	Marked	mbar	m ³ /h
Euro 15	5	0.93	120	N/A	0.53
Euro 22	6	1.04	150	N/A	0.79
Euro 30	8	1.04	150	N/A	1.06
Euro 45	6	1.45	280	N/A	1.58
Euro 52	7	1.45	280	N/A	1.85
Euro 60	8	1.45	280	N/A	2.11
Euro 75	10	1.51	300	N/A	2.64
Euro 90	13	1.51	300	N/A	3.16
Euro 105	14	1.45	280	N/A	3.70
Euro 120	16	1.51	300	N/A	4.22
Euro 150	20	1.51	300	N/A	5.28

3. General Requirements

3.1 Related Documents

The installation of the air heater(s) must be in accordance with the rules in force and the relevant requirements of the Gas Safety Regulations, Building Regulations and the I.E.E. Regulations for Electrical Installations. It should be in accordance also with any relevant requirements of the local gas region, local authority and fire authority and the relevant recommendations of the following documents.

3.2 Air Handling Unit

The air handling unit containing the air heater must permit the provision of a satisfactory flue system and an adequate air supply. The location must also provide adequate space for servicing.

3.3 Flue System

Euromatic units feature a closed combustion circuit and have an internal exhaust fan, mounted downstream of the heat exchanger, to both assist the evacuation of the products of combustion and to draw in air for combustion. The air heater must be connected to the flue system that is provided by Powmatic Ltd. Several configurations of flue and combustion air ducts are available as shown diagrammatically (See Figs 1a - 1d).

3.4 Air Supply

Heaters not fitted with the concentric terminal and flue arrangement must have provision for the supply of combustion air. This air may be admitted through suitable grilles in the air handler casing into a space that connects directly with the combustion air entry socket on the heater. This space must be sealed and separate from the airflow sections of the air handler.

Euromatic Flue/Combustion Air Duct Options

Fig. 1a - Vertical - Top Outlet

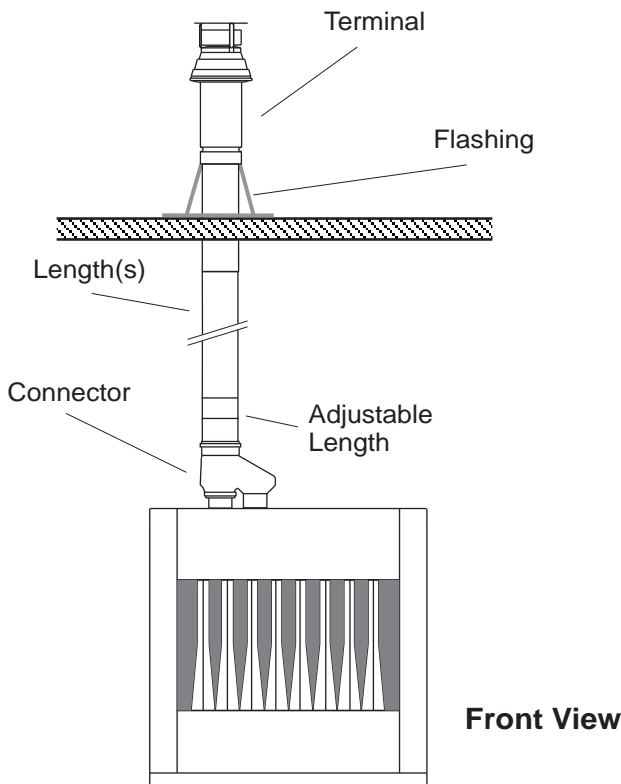


Fig. 1b - Horizontal - Side Outlet

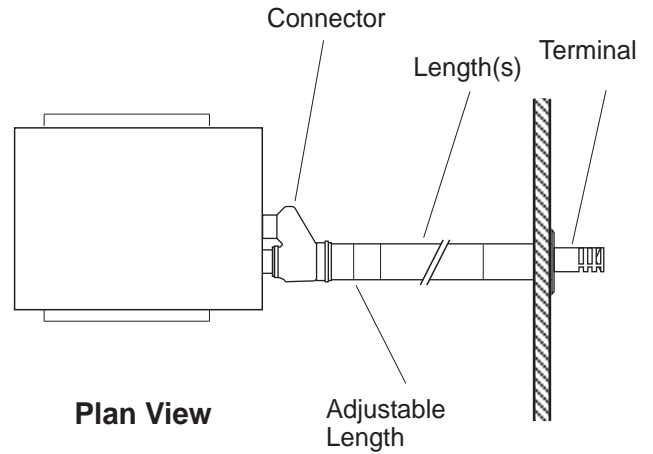


Fig. 1c - Horizontal - Top Outlet

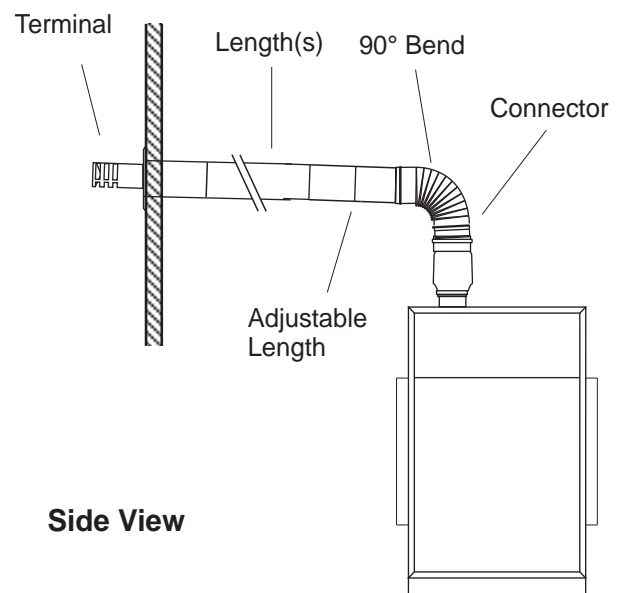
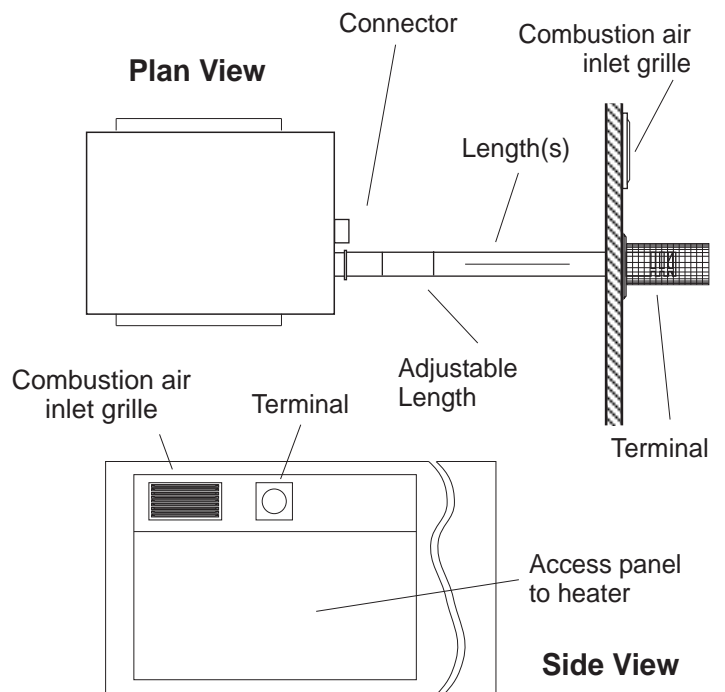


Fig. 1d - Typical AHU Flue / Combustion Air



3.5 Electrical Supply

Wiring external to the air heater must be installed in accordance with the I.E.E. Regulations for Electrical Installations and any local regulations which apply. Wiring should be completed in flexible conduit.

All standard heaters are supplied by 230V - 1ph, 50Hz. The method of connection to the main electricity supply must facilitate the complete electrical isolation of the air heater(s). It must have a contact separation of at least 3mm in all poles. The method of connection should be provided adjacent to the air heater(s) in a readily accessible position.

See the accompanying wiring diagram for the heater electrical connections

Euromatic units can also be supplied for 400V 3N, 50Hz.

4. Installation of Air Heater(s)

4.1 General

The air heater must be installed into a purpose designed section of the air handling unit, the main air flow being ducted into, and away from the air heater via the duct spigots provided on the heater. Full access must be maintained to the heater end panel that provides service access to the burners and controls. Any combustible material adjacent to the air heater and the flue system must be so placed or shielded as to ensure that its temperature does not exceed 65 °C.

IMPORTANT:

1. To facilitate removal of the burner tray there must be no projection or fixture in front of the left hand access panel (when viewed from the front of the unit). The distance in which this is applicable is the same as the width of the heater.

4.2 Flue/Combustion Air Duct System

All models are provided with two sockets, either at the side or the top of the unit as ordered, one for combustion air and the other for the products of combustion (*See Section 2 Page 2*). In all cases the flue outlet socket must be connected via the provided flue system to outside air. The combustion air socket need not be connected if it is required to take the combustion air through grilles in the casing of the air handler. The normal maximum permitted length of flue system is

- i) for side outlet horizontal - 3m
- ii) for top outlet vertical - 4m
- iii) for top outlet horizontal (90° bends inc) - 3m.

The maximum permitted length of flue outlet only is double the above lengths. If an offset is required two sets of 45° bends may be used each set being equivalent to 0.5m of flue length. The minimum flue length (end of flue terminal to back, top or side of heater) shall not be less than 0.5m.

All outer joints must be finished with the provided locking bands. Application of a smear of silicon grease to the inside of sockets will assist in fitting components together. All flue and combustion air ducts must be supported independently of the air heater.

4.3 Installation of Flue System

4.3.1 Horizontal System - Standard (*see Fig. 1b and 1c*)

1. Locate the position of the flue terminal, allowing for a slight gradient down to the heater (2° - 3°) and cut a hole to suit.
2. Fit the flue terminal, securing via the wall plate and weather with silicon sealant or similar.
3. Extend the concentric flue to the heater using straight lengths fitting an adjustable length prior to the connector, to facilitate flue disconnection for servicing. Fit connector to the heater inlet/outlet spigots ensuring that the connector spigot that is

central to the concentric flue fits into the flue outlet socket. Extend the adjustable length to make the final connection. Do not exceed the maximum extended length so as to maintain joint integrity.

4. Ensure that internal silicon sealing rings are in place and that all tubes are pushed fully home. Secure concentric lengths with the locking band provided.

5. If required the flue only can be terminated on the outside of the air handling unit, using a single wall flue pipe connected directly to the flue outlet socket of the heater and a grille fitted in the outer wall of the ahu to admit the combustion air (*See Fig 1d and Section 3.5*).

4.3.2 Horizontal System - Internal Combustion Air

1. Complete the run of flue sections from the terminal spigot to the flue outlet socket of the heater, ensuring that the internal silicon sealing rings are in place.

4.3.3 Vertical System (*see Fig.1a*)

1. Locate the position of the flue terminal cut a hole in the roof of the air handler to suit.

2. Fit the flashing and the the flue terminal so that the lower edge of the outer case is over the top of the flashing. Weather with silicon sealant or similar.

3. Extend the concentric flue to the heater using straight lengths fitting an adjustable length prior to the connector, to facilitate flue disconnection for servicing. Fit connector to the heater inlet/outlet spigots ensuring that the connector spigot that is central to the concentric flue fits into the flue outlet socket. Extend the adjustable length to make the final connection. Do not exceed the maximum extended length so as to maintain joint integrity.

4. Ensure that internal silicon sealing rings are in place and that all tubes are pushed fully home. Secure concentric lengths with the locking band provided.

4.4 Gas Connection

To facilitate removal of the burner tray for servicing purposes a servicing valve and downstream union must be fitted at the inlet to the air heater. The gas supply to the air heater must be completed in solid pipework and be adequately supported.

Warning

When completing the final gas connection to the heater do not place undue strain on the gas pipework of the heater.

4.5 Electrical Connections

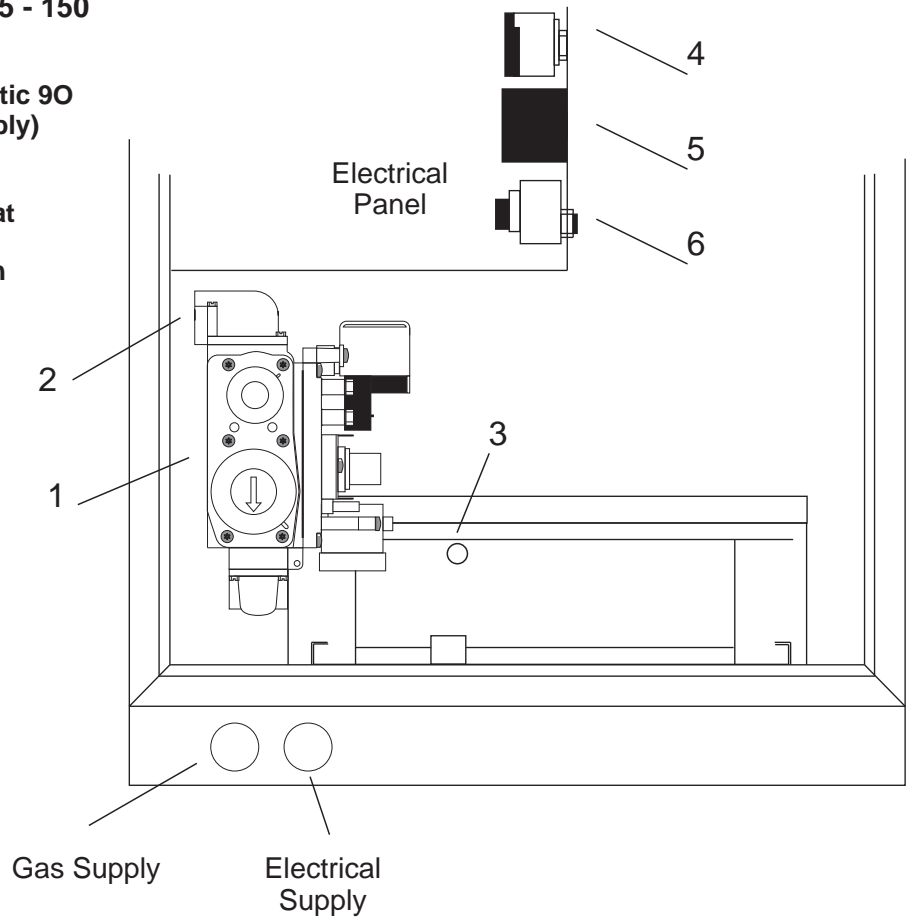
All units are fully prewired and only require final connections for the incoming mains supply, completion of the control circuit and provision of a 0-10V modulation/burner ON/OFF control signal. The main electrical supply must be run to a point adjacent to the heater and be suitably terminated to provide an isolation point that will prevent remote activation of the unit during servicing. The length of the conductors between the cord anchorage and the terminals must be such that the current carrying conductors become taut before the earth conductor if the cable or cord slips out of the cord anchorage. All external controls must be of an approved type.

Euro DH models must be electrically interlocked to the air movement system so that should this fail the heater will be switched off.

If required the main air fan can be controlled by the heater. A connection from heater terminal No 5 can be made to one side of the fan motor contactor coil, the other side of the coil being connected to Neutral. Under no circumstances must the fan motor electrical supply be taken direct from the internal wiring of the Euromatic heater.

Fig. 2 Controls Location Euro 15 - 150

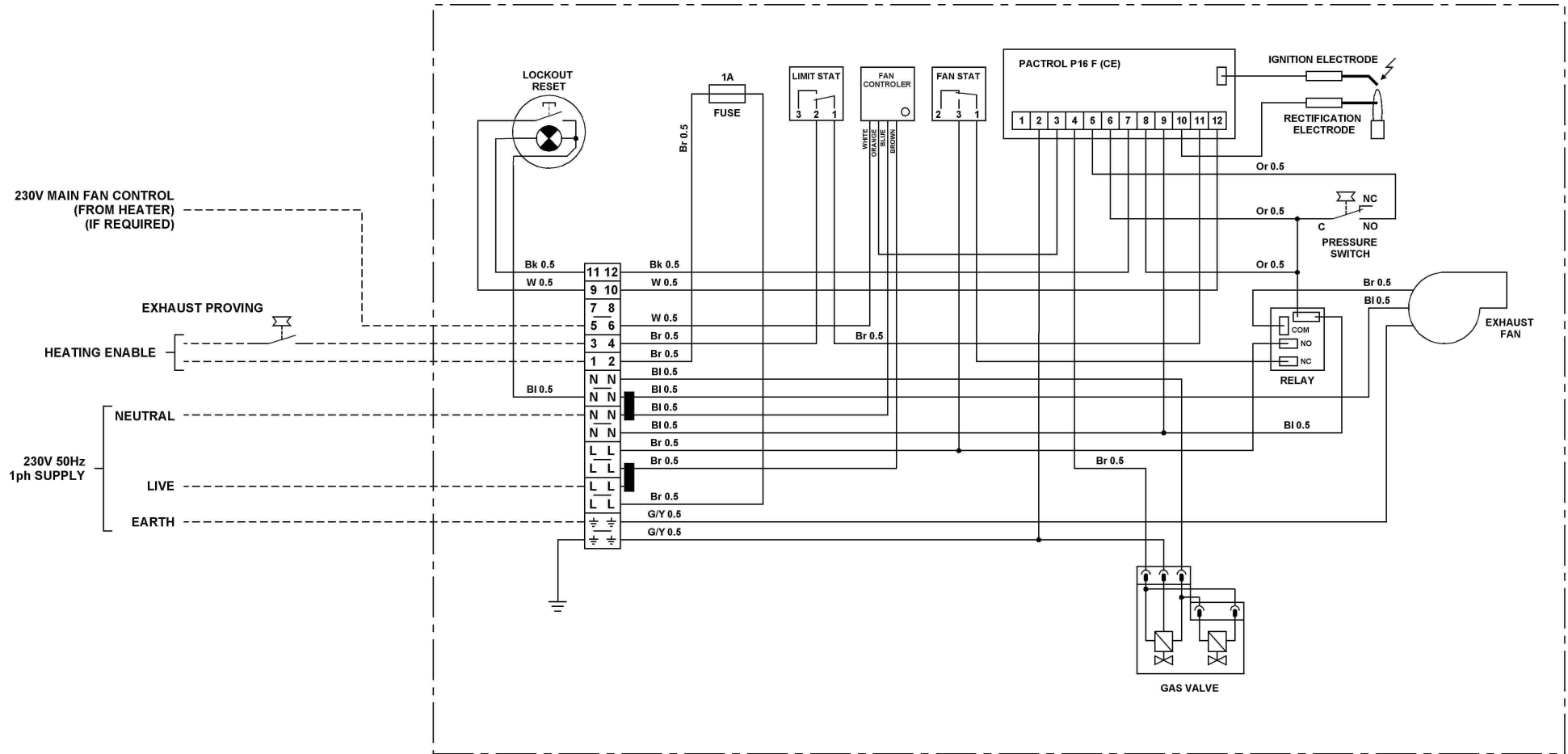
- 1) SIT 822 Nova M.F.C. (Euromatic 90 uses Johnsons Valve assembly)
- 2) Gas connection (Rp^{3/4}).
- 3) Viewing port.
- 4) Exhaust fan run on thermostat
- 5) Fan controller
- 6) Limit Thermostat reset button



Euromatic Series 2. Models 15-75 DH

Single Stage Burner

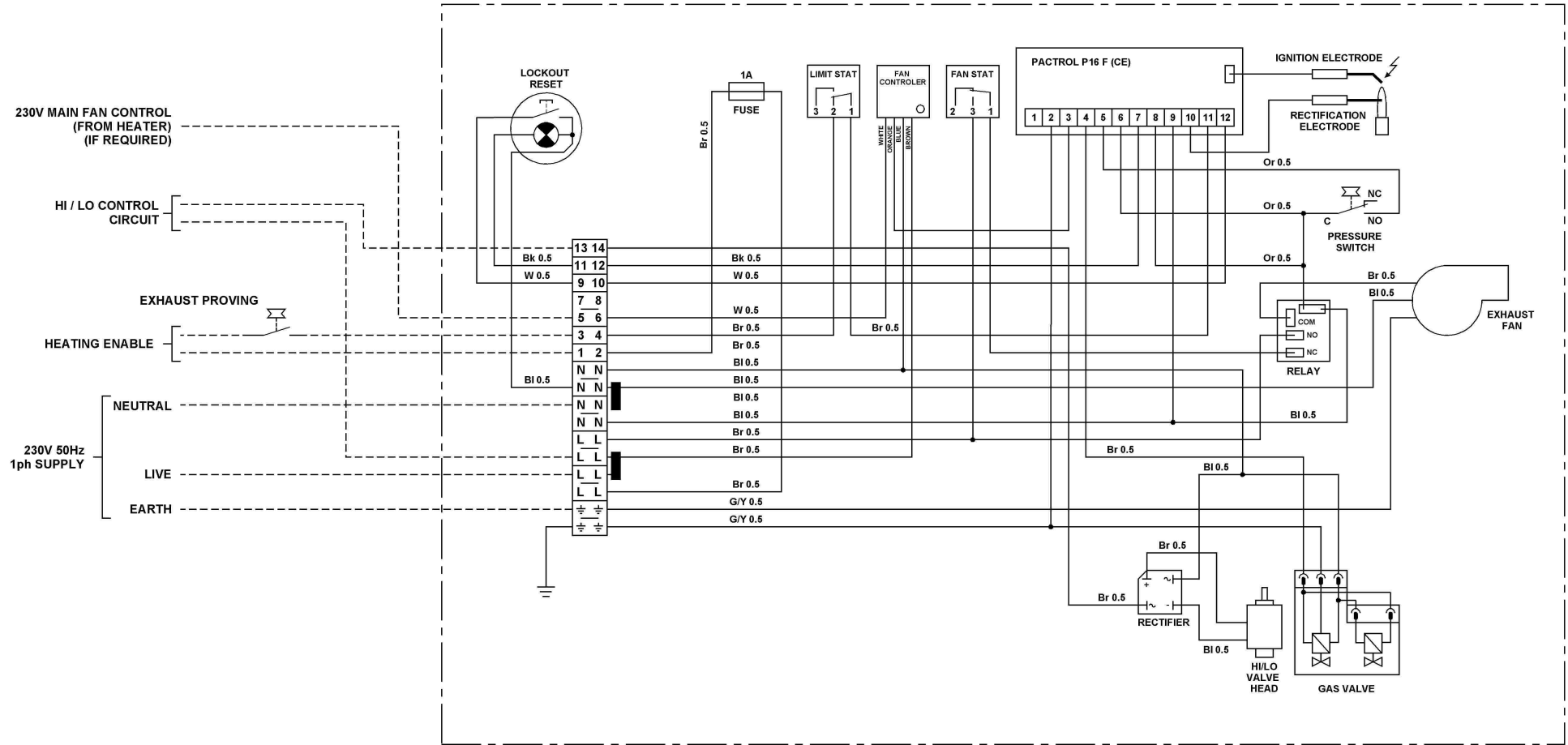
11



Euromatic Series 2. Models 15-75 DH

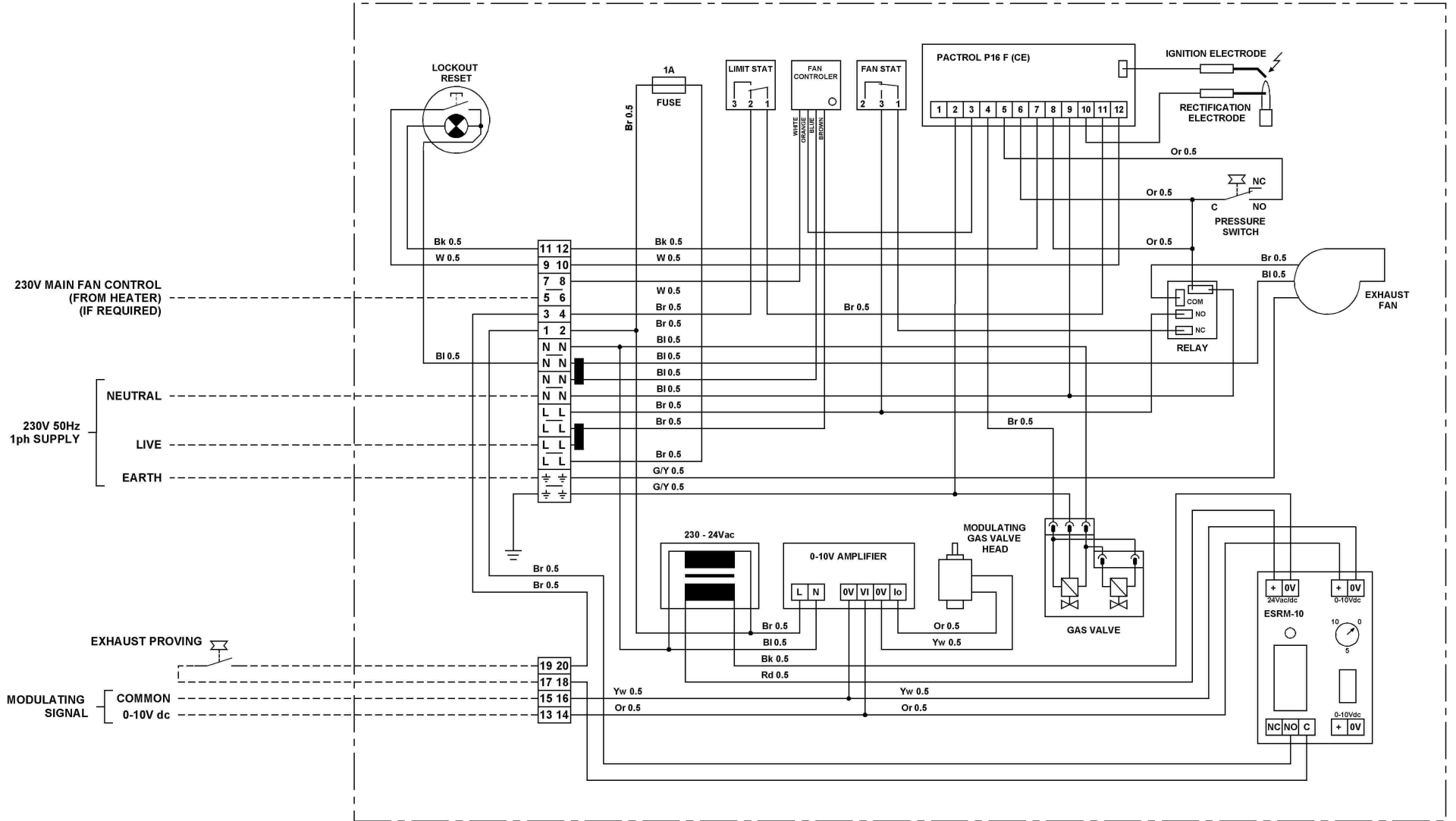
Hi / Lo Burner

12



Euromatic Series 2. Models 15-75 DH

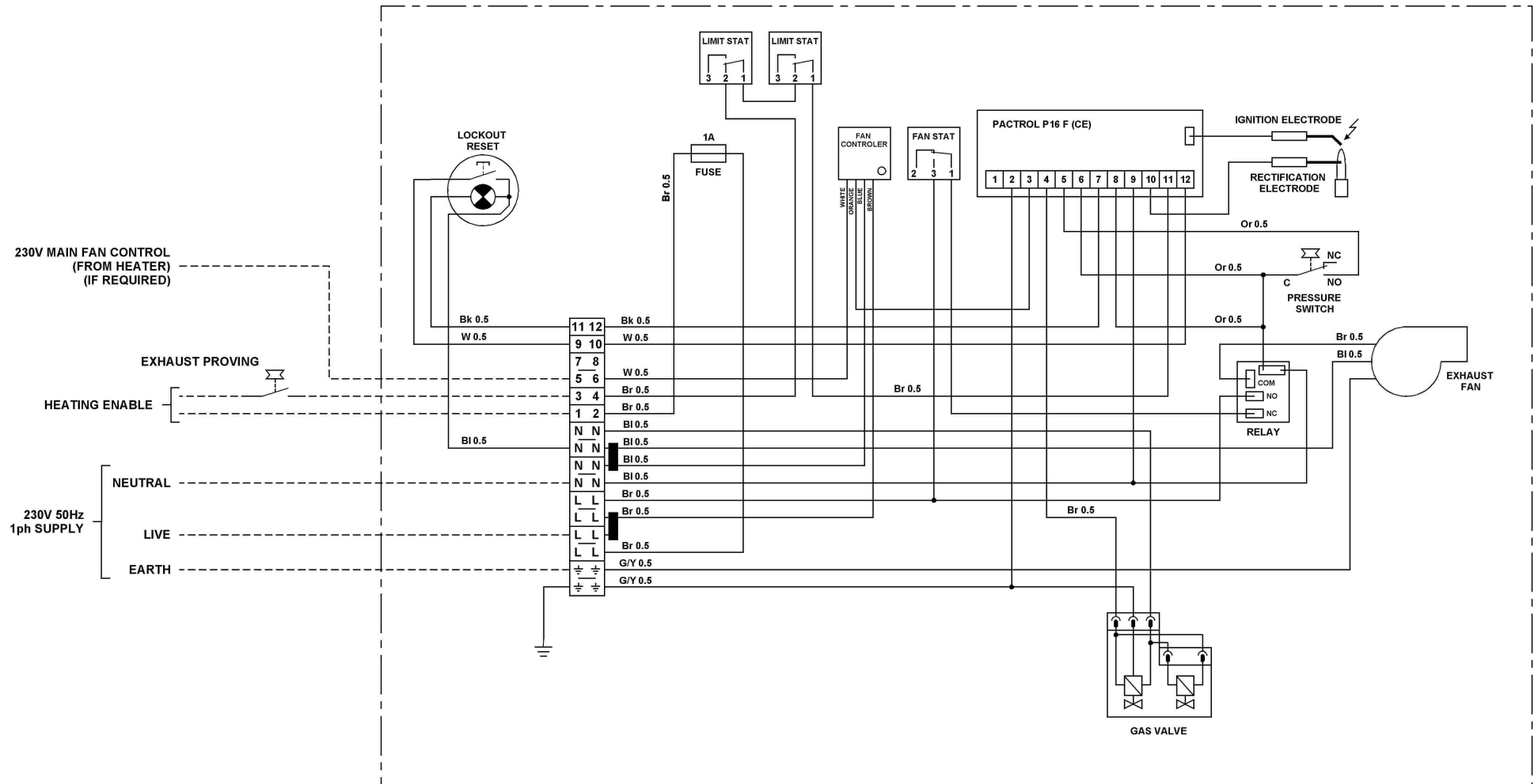
0-10V Modulating Burner



Euromatic Series 2. Model 90 DH

Single Stage Burner

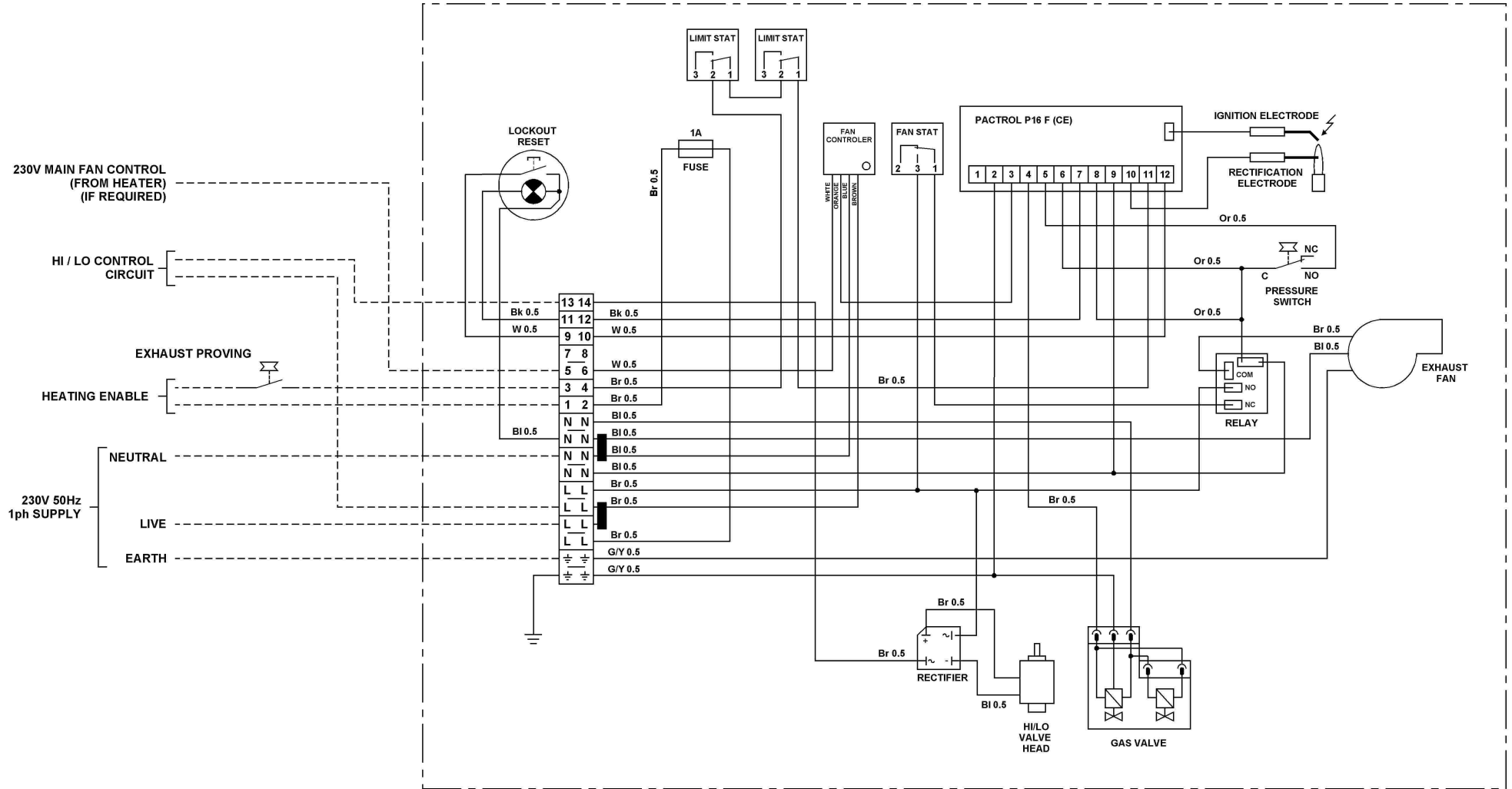
14



Euromatic Series 2. Model 90 DH

Hi / Lo Burner

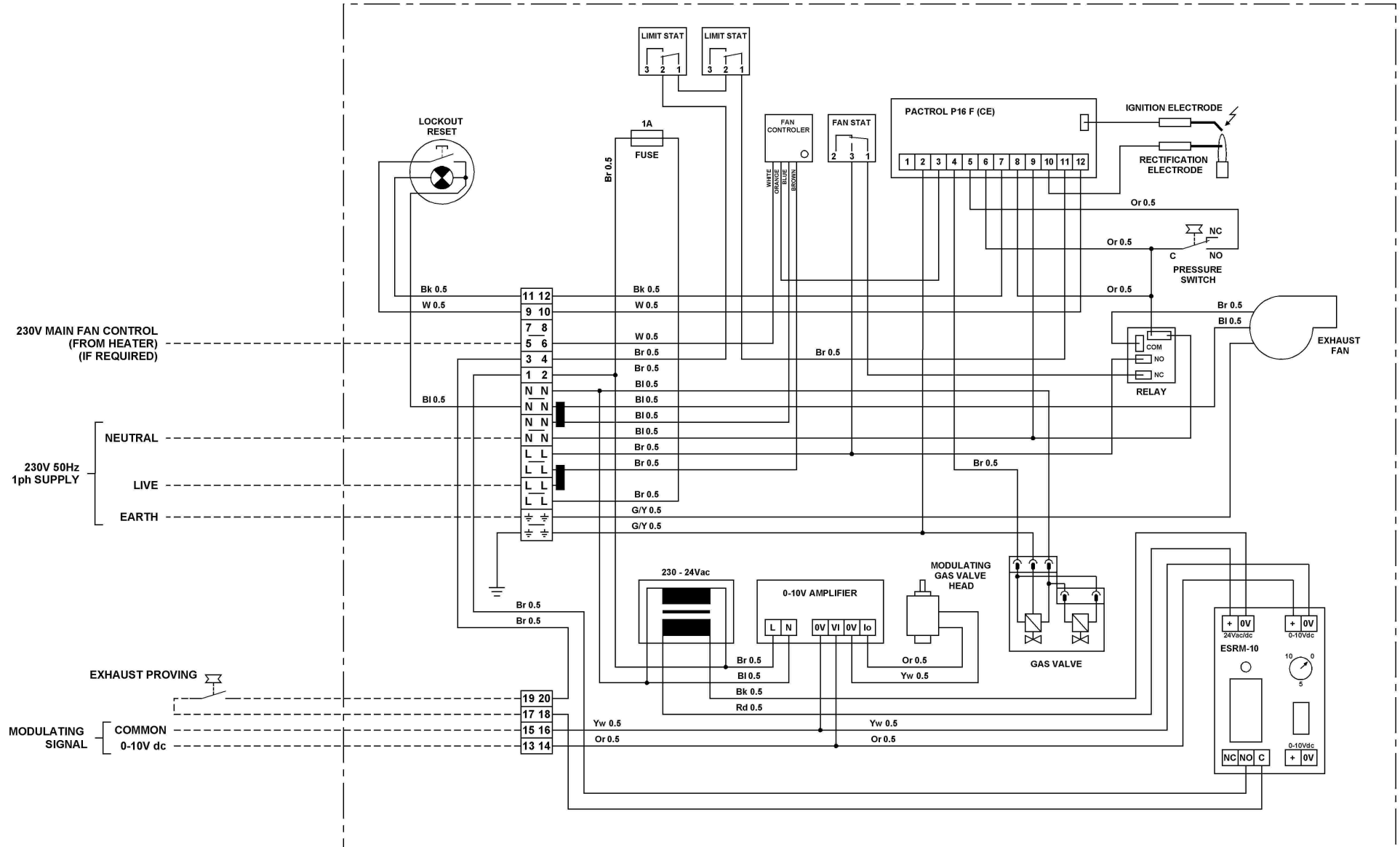
15



Euromatic Series 2. Model 90 DH

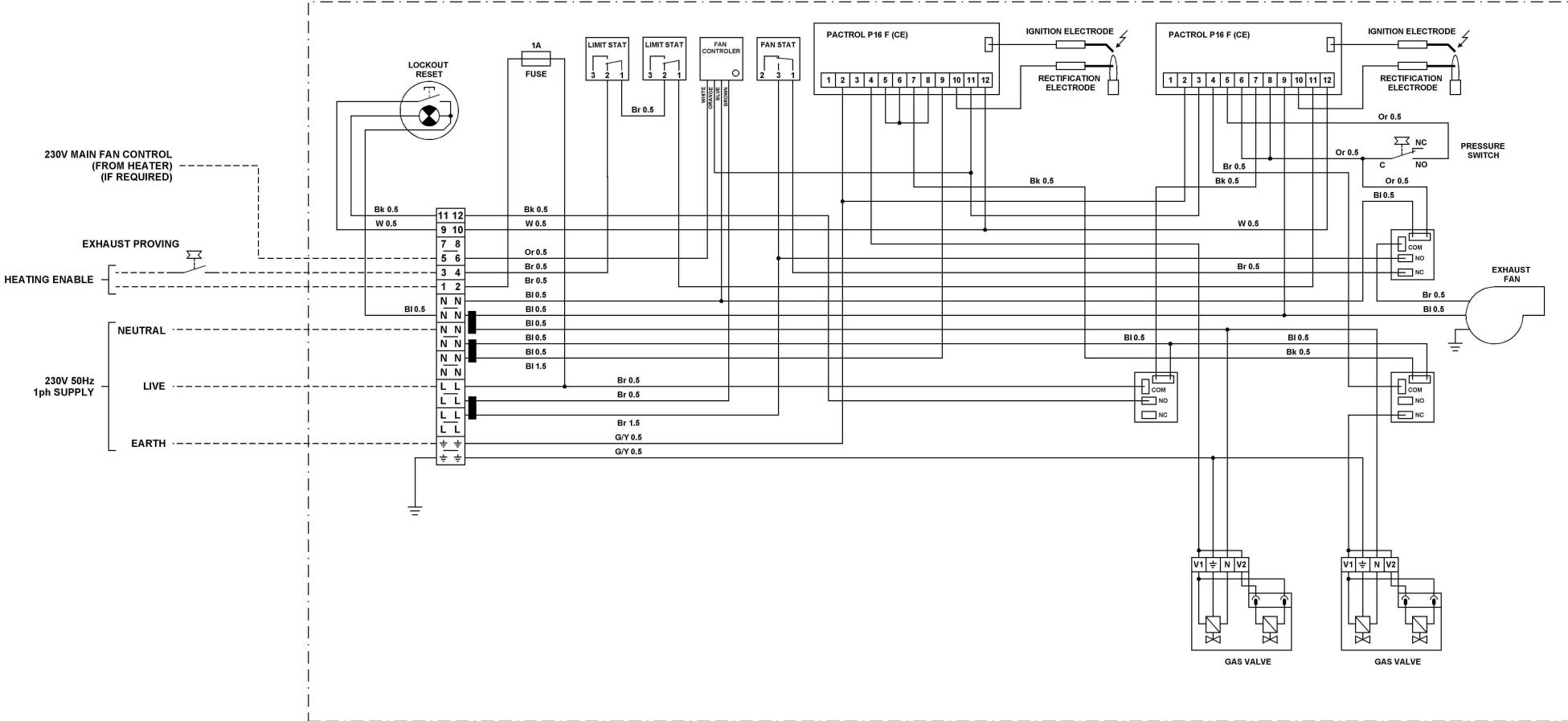
0-10V Modulating Burner

16



Euromatic Series 2. Models 105 - 150 DH

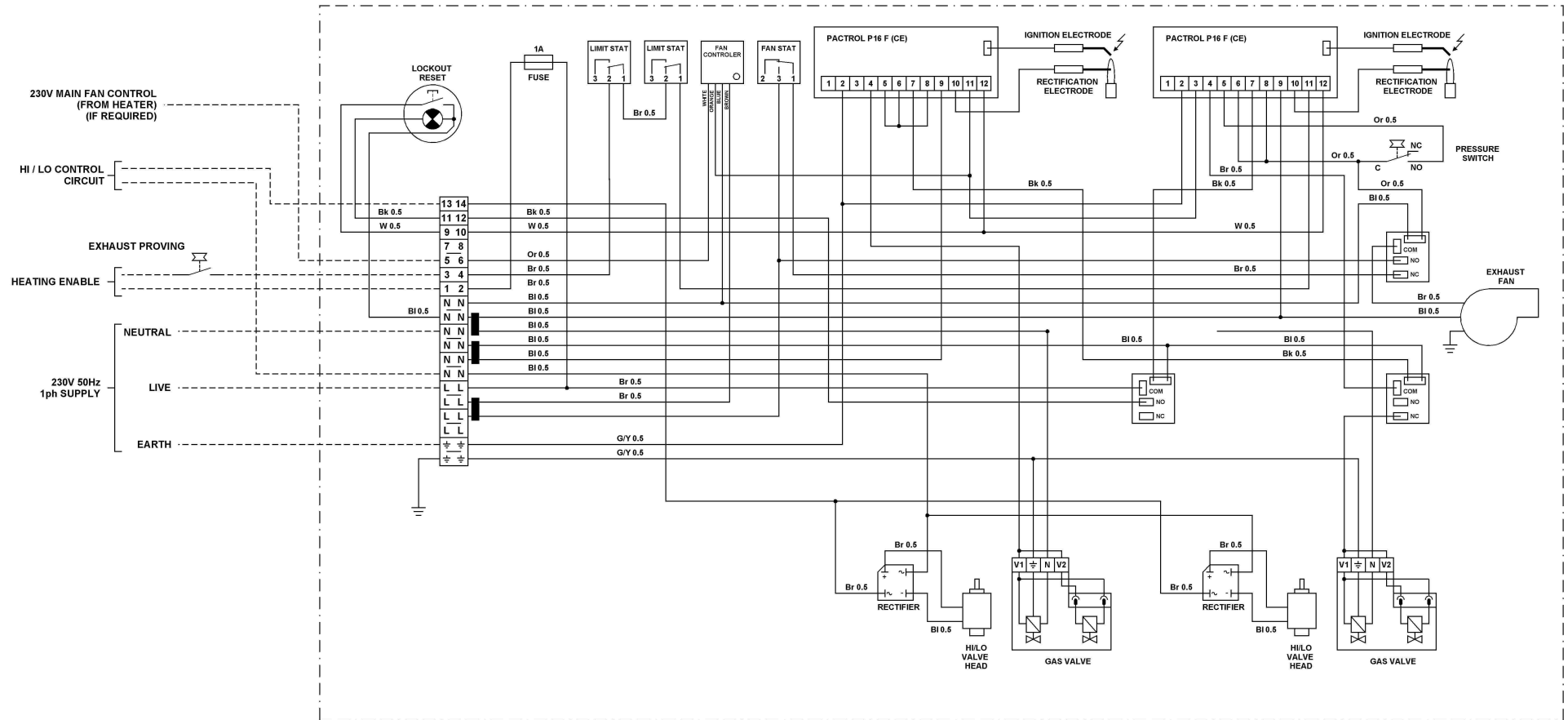
Single Stage Burner



Euromatic Series 2. Models 105 - 150 DH

Hi / Lo Burner

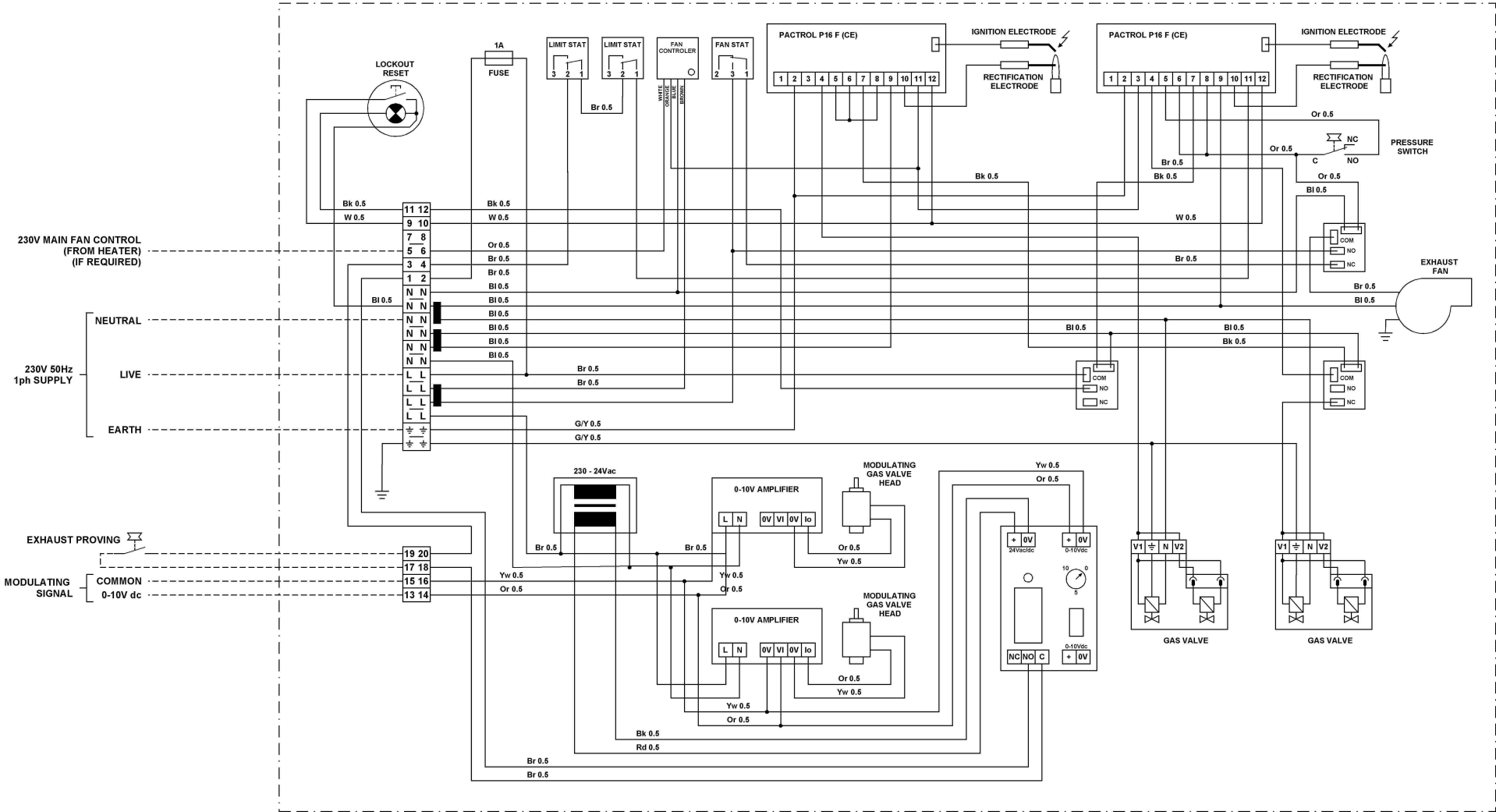
18



Euromatic Series 2. Models 105 - 150 DH

0-10V Modulating Burner

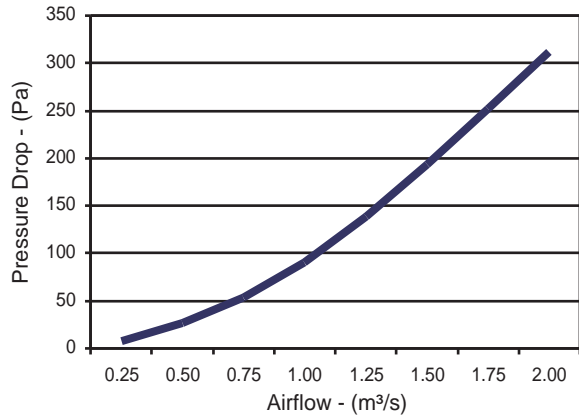
19



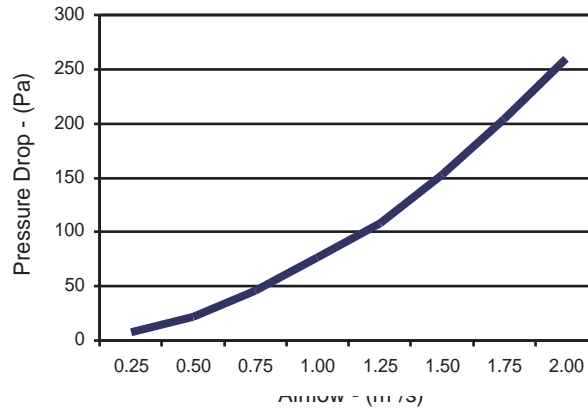
Euromatic Series 2. Models 15-60

Airflow Resistance

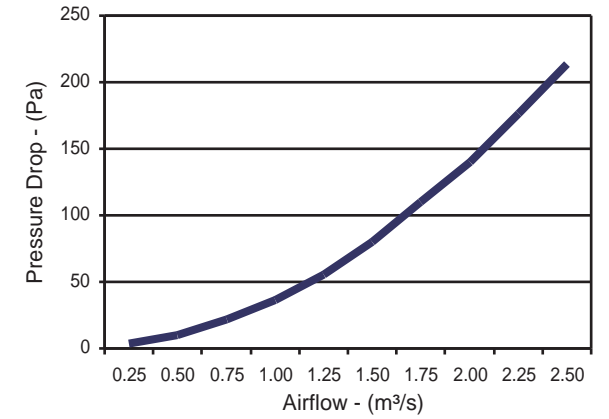
Euro 15 DH



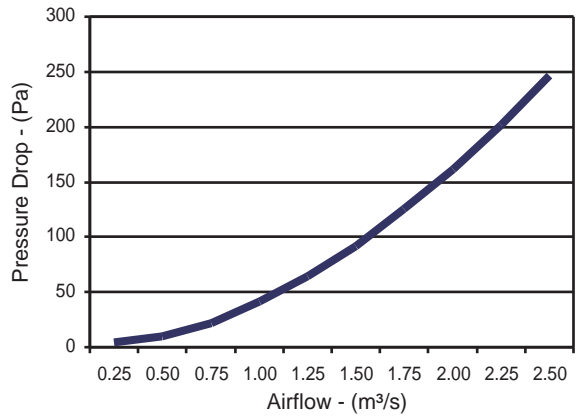
Euro 22 DH



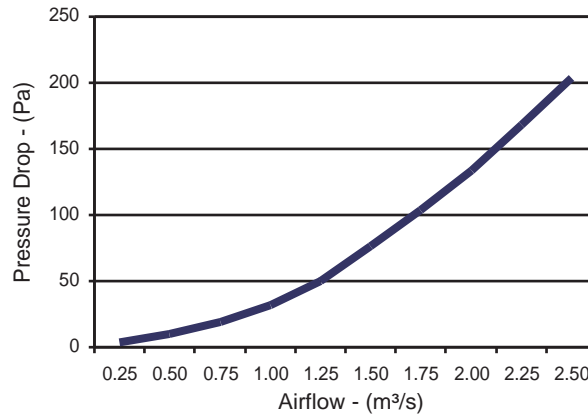
Euro 30 DH



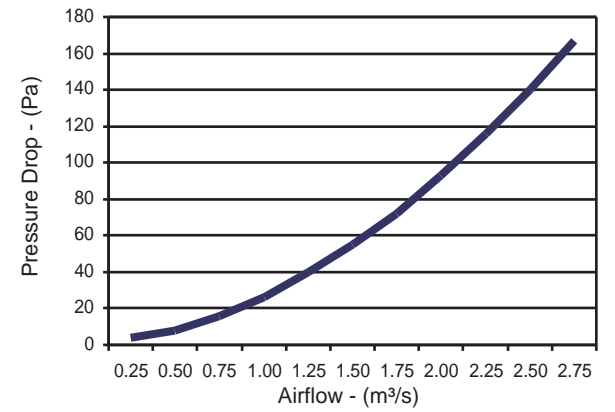
Euro 45 DH



Euro 52 DH



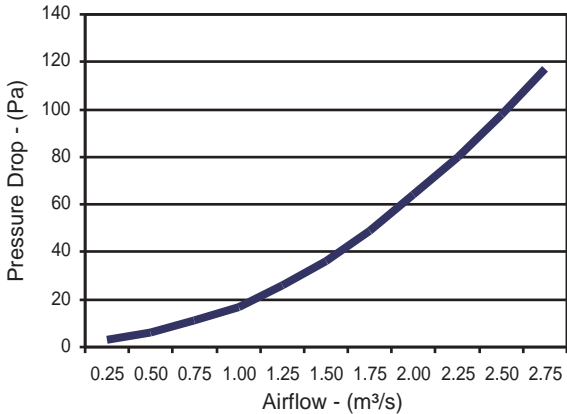
Euro 60 DH



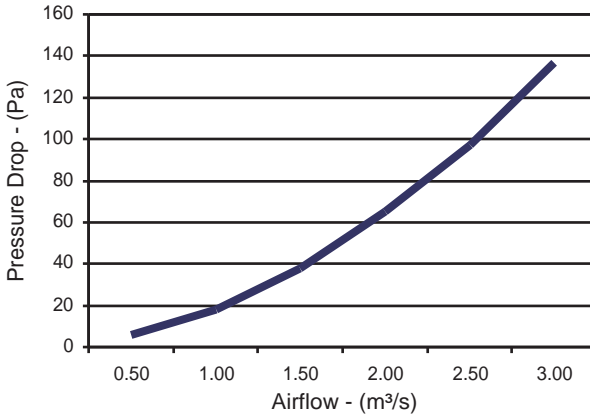
Euromatic Series 2. Models 75-150

Airflow Resistance

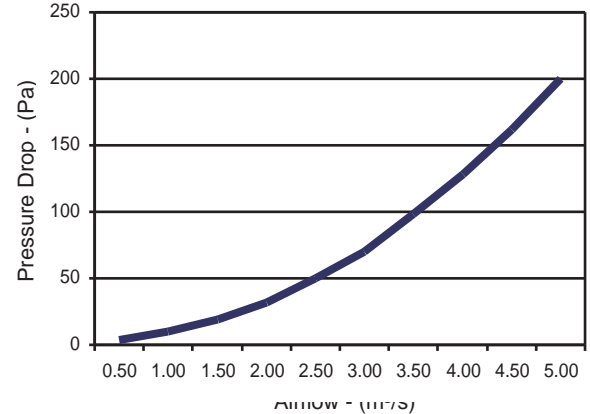
Euro 75 DH



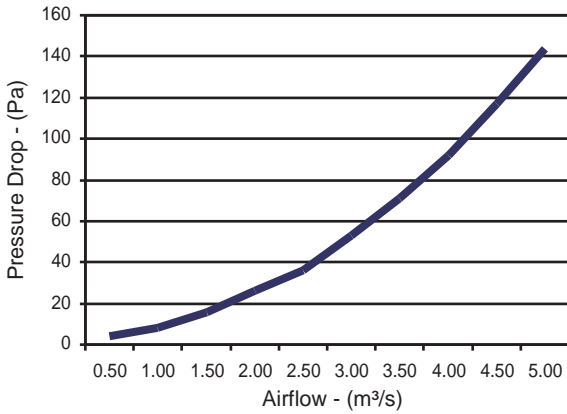
Euro 90 DH



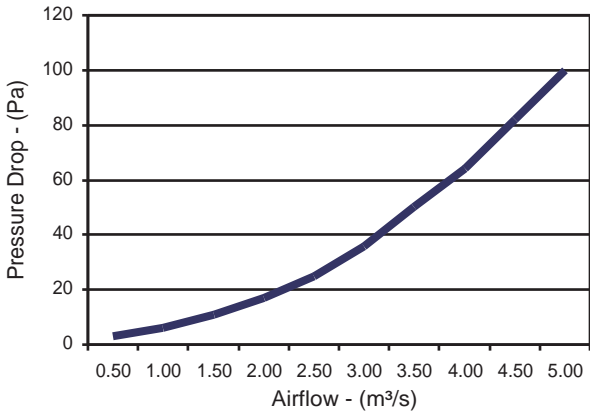
Euro 105 DH



Euro 120 DH

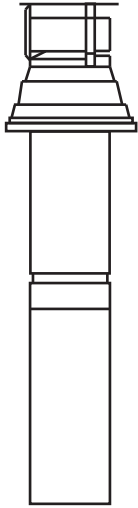


Euro 150 DH

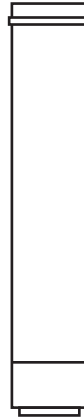


Euromatic Series 2. Models 15-60 DH

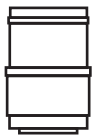
Top Flue/Combustion Air Inlet (Vertical Flue Only)



Concentric Vertical Terminal.
80/125mm
Powrmatic Part No. 148800001



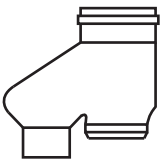
1000mm Concentric Length.
80/125mm
Powrmatic Part No. 148800011



Adjustable Length.
80/125mm
Powrmatic Part No. 148800003



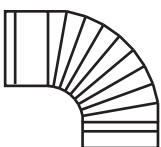
Tube. 80mm
Fits into Ski Boot)
Powrmatic Part No. 148800025



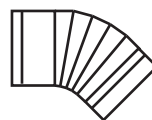
Ski Boot.
80/80mm
Powrmatic Part No. 148800023



500mm Concentric Length.
80/125mm
Powrmatic Part No. 148800013



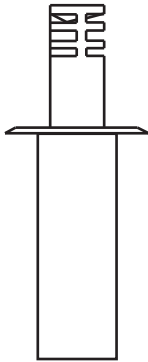
87-90° Concentric Elbow.
80/125mm
Powrmatic Part No. 148800005



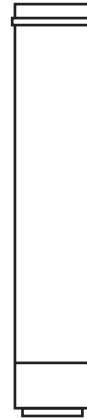
43-45° Concentric Elbow.
80/125mm
Powrmatic Part No. 148800009

Euromatic Series 2. Models 15-60 DH

Side Flue/Combustion Air Inlet (Horizontal Flue Only)



Concentric Horizontal Terminal.
80/125mm
Powrmatic Part No. 148800007



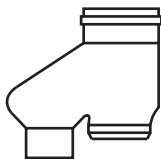
1000mm Concentric Length.
80/125mm
Powrmatic Part No. 148800011



Adjustable Length.
80/125mm
Powrmatic Part No. 148800003



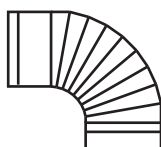
Tube. 80mm
(Fits into Ski Boot)
Powrmatic Part No. 148800025



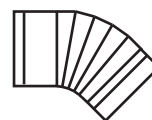
Ski Boot.
80/80mm
Powrmatic Part No. 148800023



500mm Concentric Length.
80/125mm
Powrmatic Part No. 148800013



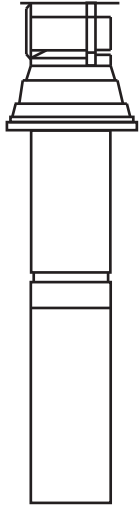
87-90° Concentric Elbow.
80/125mm
Powrmatic Part No. 148800005



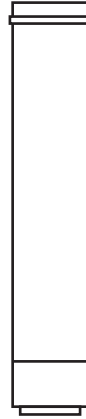
43-45° Concentric Elbow.
80/125mm
Powrmatic Part No. 148800009

Euromatic Series 2. Models 75-150 DH

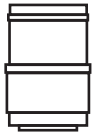
Top Flue/Combustion Air Inlet (Vertical Flue Only)



Concentric Vertical Terminal.
100/150mm
Powrmatic Part No. 148800002



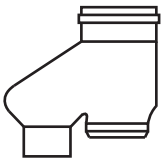
1000mm Concentric Length.
100/150mm
Powrmatic Part No. 148800012



Adjustable Length.
100/150mm
Powrmatic Part No. 148800004



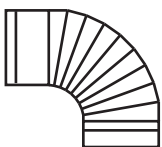
Tube. 100mm
(Fits into Ski Boot)
Powrmatic Part No. 148800026



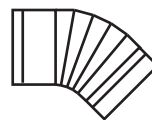
Ski Boot.
100/100mm
Powrmatic Part No. 148800024



500mm Concentric Length.
100/150mm
Powrmatic Part No. 148800014



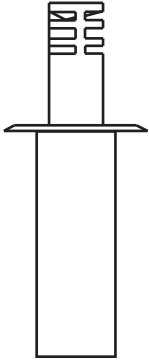
87-90° Concentric Elbow.
100/150mm
Powrmatic Part No. 148800006



43-45° Concentric Elbow.
100/150mm
Powrmatic Part No. 148800011

Euromatic Series 2. Models 75-150 DH

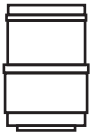
Side Flue/Combustion Air Inlet (Horizontal Flue Only)



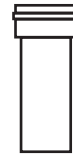
Concentric Horizontal Terminal.
100/150mm
Powrmatic Part No. 148800008



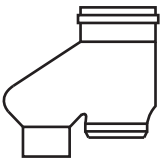
1000mm Concentric Length.
100/150mm
Powrmatic Part No. 148800012



Adjustable Length.
100/150mm
Powrmatic Part No. 148800004



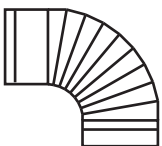
Tube. 100mm
(Fits into Ski Boot)
Powrmatic Part No. 148800026



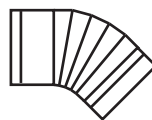
Ski Boot.
100/100mm
Powrmatic Part No. 148800024



500mm Concentric Length.
100/150mm
Powrmatic Part No. 148800014



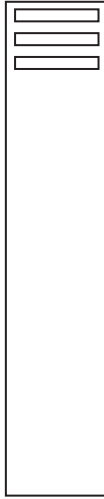
87-90° Concentric Elbow.
100/150mm
Powrmatic Part No. 148800006



43-45° Concentric Elbow.
100/150mm
Powrmatic Part No. 148800011

Euromatic Series 2. Models 15-150 DH

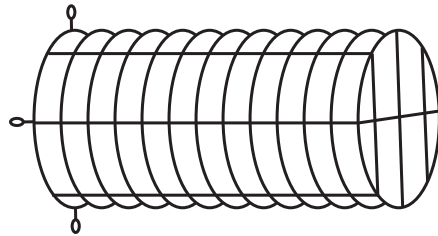
Standard Parts



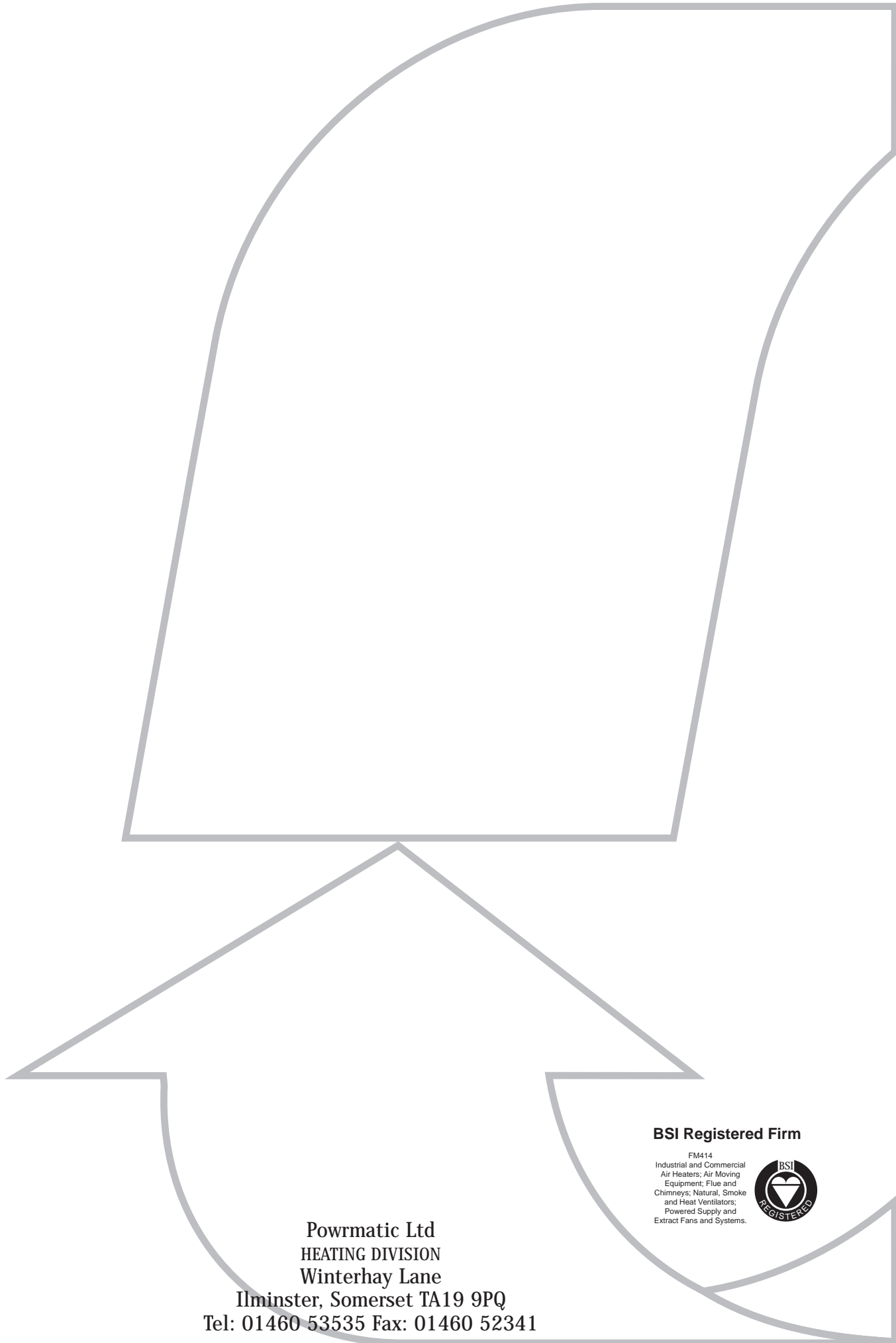
1000mm Flue Length.
100mm dia.
Powrmatic Part No. 148800026



1000mm Flue Length.
80mm dia.
Powrmatic Part No. 148800025



Euromatic Exhaust Guard.
Powrmatic Part No. 146600021



Powrmatic Ltd
HEATING DIVISION
Winterhay Lane
Ilminster, Somerset TA19 9PQ
Tel: 01460 53535 Fax: 01460 52341

BSI Registered Firm

FM414
Industrial and Commercial
Air Heaters; Air Moving
Equipment; Flue and
Chimneys; Natural, Smoke
and Heat Ventilators;
Powered Supply and
Extract Fans and Systems.

