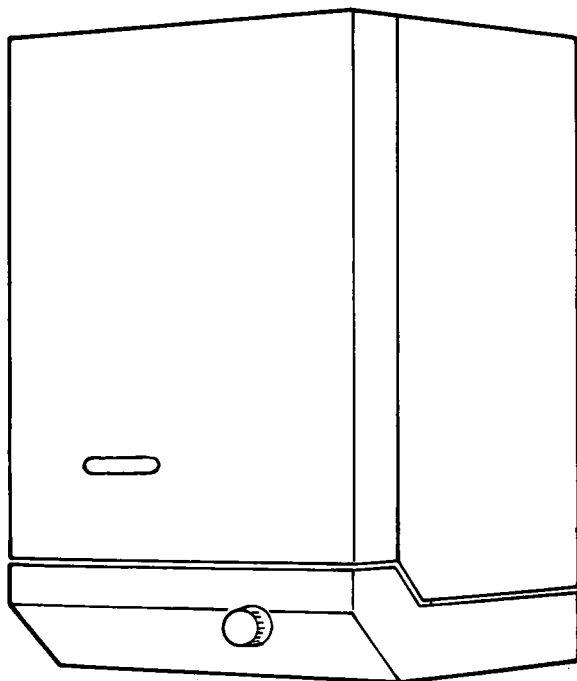




LPG 50e, 60e, 80e & 100e fanned balanced flue gas fired boilers

THIS APPLIANCE IS FOR USE WITH PROPANE GAS ONLY



Installation and Servicing Instructions

LEAVE THESE INSTRUCTIONS ADJACENT TO THE APPLIANCE

IMPORTANT

This appliance must be installed and serviced by a competent person as stated in the Gas Safety (Installation and Use) Regulations 1984. Profile Prima LPG boilers have been designed to comply with the requirements of BS 5258 Part 11986 and BS 6332 Part 11983. It is important that no external control devices (e.g. flue dampers, economisers, etc.) be directly connected to these appliances unless covered by these installation instructions or otherwise recommended in writing. Any direct connection of a control device not approved by Potterton could invalidate the normal warranty.

LIST OF CONTENTS - Page 2

General	Page No. 2	Site Requirements	Page No. 3
Optional Extras	Page No. 2	Technical Data	Page No. 6
Accessories	Page No. 3	Installation Instructions	Page No. 11
Installation Data	Page No. 3	Commissioning	Page No. 18
Boiler Dimensions	Page No. 3	Health and Safety Information	Back Page
		Control Systems, Pipework and Wiring Guide	Supplied in Literature Pack
		User's Instructions	

GENERAL - Page 2

Profile Prima LPG boilers are fully automatically controlled wall mounted fan powered balanced flue appliances, using a cast iron heat exchanger and are available in four outputs. 15.1 kw (51,500 Btu/h r), 18.88kw (64,400 Btu/hr), 23.4 kw (80,000 Btu/hr), 29.3 kw (100,000 Btu/hr).

The boilers which are designed to provide domestic hot water and/or central heating must be used on INDIRECT FULLY PUMPED systems only, which may be sealed or open vented.

The boilers can be supplied with either of the following types of flue system.

PRIMA LPG 100e MODEL ONLY

1 metre horizontal flue system which provides a maximum flue length of 955mm (37in).

Vertical flue system which allows the flue to pass through a flat roof and terminate at a maximum height of 980mm (38in) measured from the top of boiler case.

PRIMA LPG 50e, 60e, & 80e Models only

Standard horizontal flue system which is suitable for a wall thickness of 100mm (4in) to 510mm (20in).

2 metre horizontal flue system which provides a maximum flue length of 1955mm (77in).

Vertical flue system which allows the flue to pass through a flat roof and terminate at a maximum height of 1980mm (78in) measured from the top of boiler case.

OPTIONAL EXTRAS - Page 2

The following are kits available as optional extras:—

Internal Fitment Kit, which is suitable for a maximum wall thickness of 51 0mm (20 in.) is to be used where access to the outside wall is impracticable.

Pump Cover Kit, located on top of the boiler and is designed to conceal the pump, and/or any motorised valves installed above the boiler. (**Note:** Pump cannot be fitted above the boiler if the vertical flue kit is used).

Terminal Wall Plate, where necessary can be fitted to the outside wall face to improve the appearance, after making good around the terminal.

Terminal Guard, to be used when the terminal is fitted less than 2m above a balcony, above ground or above a flat roof to which people have access.

Full fitting instructions are provided with each kit.

	PART Nos			
	50e	60e	80e	100e
Standard Flue System	225175	225176	225176	N/A
1 metre Flue System	N/A	N/A	N/A	225289
2 metre Flue System	225178	225179	225179	N/A
Vertical Flue System	225280	225281	225282	225162
Terminal Wall Plate	212306	212280	212280	212280
Terminal Guard	205792	205792	205792	413246
Internal Fitment Kit	225183	225184	225184	225184
Pump Cover Kit	225181	225181	225132	225182

The following range of Potterton system controls are also available and further information will be provided on request.

Electronic Programmer E.P. 2001, E.P. 3001, E.P. 4001, E.P. 6000.

Programmable Electronic Thermostat PET 1.

ACCESSORIES

Thermostatic Radiator Valve Myson
 Electronic Cylinder Thermostat PTT2
 Electronic Room Thermostat PRT2
 Spring Return Zone Valve PMV2
 Spring Return Diverter Valve PMV3

INSTALLATION DATA - Page 3

The installation of the boiler must be in accordance with the latest relevant requirements of the Gas Safety (Installation and Use) Regulations 1984, local building regulations, IEE Wiring Regulations and the Byelaws of the Local Water Undertaking.

Detailed recommendations are contained in the following British Standards and Codes of Practice.

B56798, BS5440 Part 1, BS 5482 Part 1

B55440 Part 2 BS5449 Part 1
 B55546 B54814 B56891
 BUILDING REGULATIONS 1985.
 MODEL WATER BYELAWS.
 BRITISH GAS PUBLICATION DM2.
 GAS SAFETY (INSTALLATION AND USE) REGULATIONS 1984.
 BUILDING STANDARDS (SCOTLAND) REGULATIONS.

BOILER DIMENSIONS - Page 3

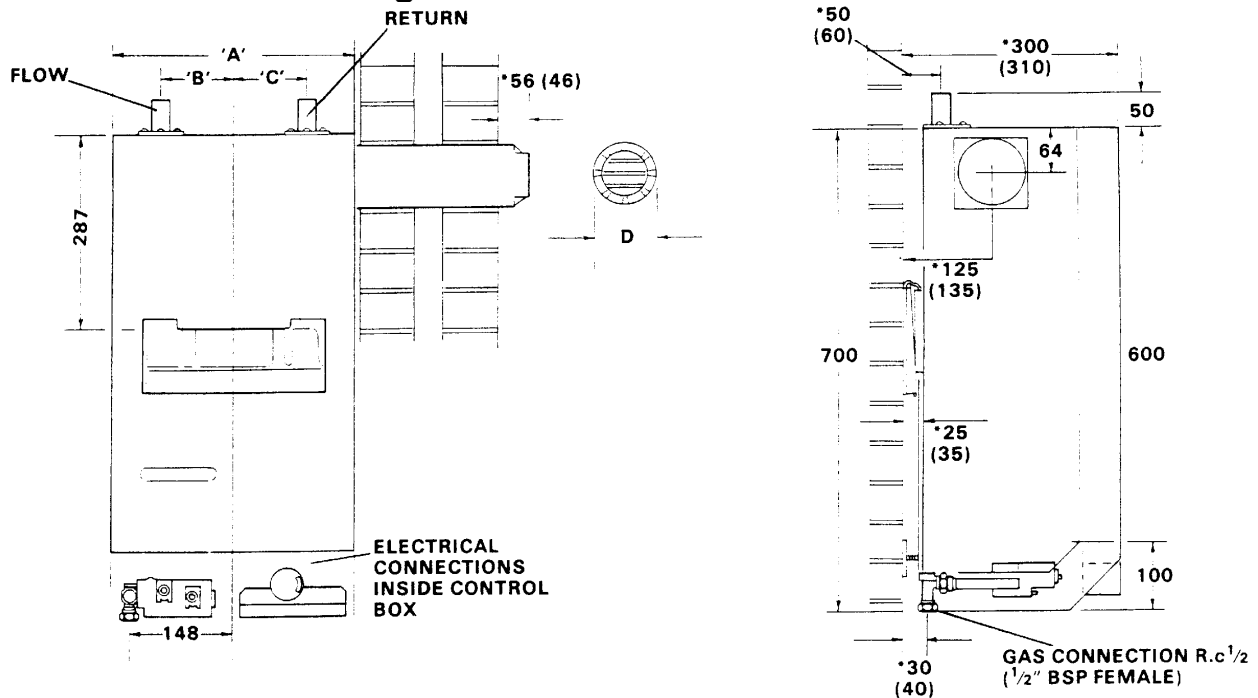


FIG. 1

Boiler	50e	60e	80e	100e
Dimension 'A'	350	350	425	425
(MM) 'B'	110	110	150	150
'C'	103	103	143	143
'D'	90	107	107	107
Flow/Return	22mm	22mm	28mm	28mm
Connections	Copper	Copper	Copper	Copper

***NOTE**
 IF PIPEWORK IS TO BE RUN DOWN THE BACK OF THE BOILER THE NORMAL CLEARANCE OF 25mm BETWEEN THE REAR OF THE BOILER AND WALL CAN BE INCREASED TO 35mm IF DESIRED BY INVERTING THE BOILER MOUNTING PLATE DURING INSTALLATION
 Dimensions in brackets apply when the mounting plate is inverted).

SITE REQUIREMENTS - Page 3

These boilers are not suitable for external installation and should not be fitted directly above a cooking appliance. The appliance may be installed in any room except a cellar or basement. Particular attention is drawn to the requirements of the current I.E.E. Wiring Regulations and in Scotland, the electrical provisions of the Building Standards applicable in Scotland with respect to the installation of the appliance in a room containing a bath or shower.

Where a room-sealed appliance is installed in a room containing a bath or shower, any electrical switch or appliance control, utilising mains electricity should be so situated that it cannot be touched by a person using the bath or shower.

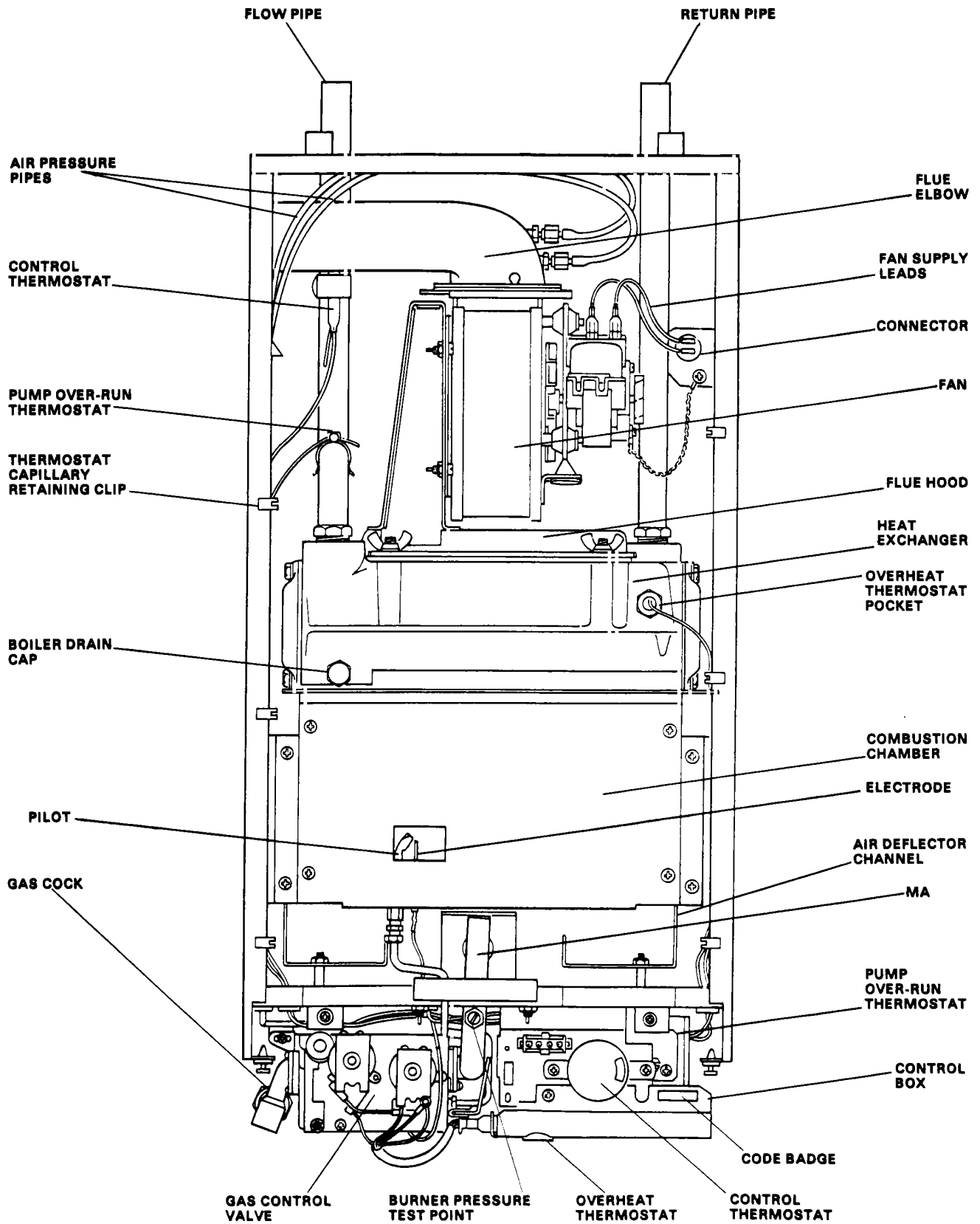


FIG. 2 GENERAL ARRANGEMENT

Where the installation of the boiler will be in an unusual location, special procedures may be necessary and BS 6798 1987 gives detailed guidance on this aspect. Ensure that the gas supply pipe and meter if fitted are installed in accordance with BS5482 Part 1. Check that they are large enough for this appliance and any others that may be run off the same supply. If in doubt seek advice from the Propane gas supplier.

Boiler Mounting Surface

The boiler must be mounted on a flat wall, which may be of combustible material and must be sufficiently robust to take the weight of the boiler. The requirements of the local authorities and the Building Regulations must be adhered to.

**IMPORTANT NOTICE:
TIMBER FRAMED HOUSES**

If the appliance is to be fitted in a timber framed building, it should be fitted in accordance with British Gas Publication DM2 'Guide for Gas Installations in Timber Framed Housing'.

Clearances Around the Boiler

The following minimum clearances must be maintained after installation, for correct operation and servicing of the boiler:

61 0mm (2 ft) at the front of the boiler

5mm (0.2 in) each side of the boiler

50mm (2 in) at the top (measured from the top of the boiler case), except where the optional extra pump cover is to be fitted, when 178mm (7 in) should be allowed.

100mm (4 in) at the bottom of the boiler.

Additional clearances to these are required during installation for lifting the boiler and 127mm (5 in) is required at the top of the boiler for access to the pipe connections.

Ventilation

If the boiler is to be installed in a confined space such as a cupboard, the space will need ventilating. Openings must be provided at the top and bottom of the cupboard each of which should have a free area as shown in TABLE 1. Further details for installation of a boiler within a compartment are given in BS 6798 1987.

TABLE 1

PROFILE PRIMA	AIR VENT AREAS	
	in ²	cm ²
50e	27	174
60e	33	213
80e	43	277
100e	54	349

If the openings draw air from outside the building the free areas may be halved. Refer to BS 5440 Part 2 1976 for further guidance.

Balanced Flue Terminal and Ducting

The fresh air inlet and flue ducts can be run from either the left, right, rear or top of the boiler to a miniature terminal on the outside of the building.

The minimum spacings from the terminal to obstructions and ventilation openings are shown in FIG. 3. For information appertaining to horizontal flue lengths reference should be made to FIG. 4.

If a terminal is fitted less than 2m above a balcony, above ground or above a flat roof to which people have access then a suitable terminal guard should be fitted. (P.I.L. No. 205792).

Refer to B55440 Part 1 1978 for further guidance.

INFORMATION RELATING TO VERTICAL FLUING IS PROVIDED IN THE PACK CONTAINING THE VERTICAL FLUE SYSTEM.

NOTE

Where a flue terminal is fitted less than 1000mm from a plastic or painted gutter or 500mm from painted eaves, an aluminium shield of 1000mm length should be fitted to underside of gutter or eaves.

Any car port or other add-on extension should consist of a roof or a roof and one other wall. If it consists of a roof and two other walls the installation shall be treated as suspect and further advice sought.

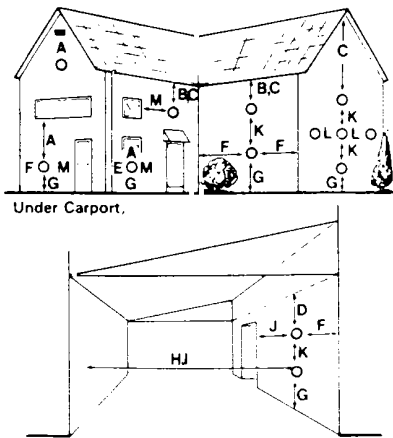
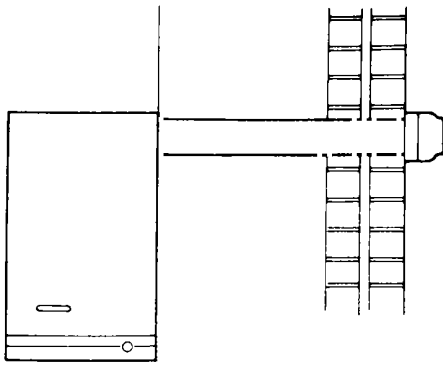


FIG. 3 THE SITING OF BALANCED FLUE TERMINALS

POSITION	MINIMUM DISTANCE
A. DIRECTLY BELOW AN OPENABLE WINDOW, AIR VENT, OR ANY OTHER VENTILATION OPENING	300
B. BELOW GUTTER, DRAIN/SOIL PIPE	75
C. BELOW EAVES	200
D. BELOW BALCONY OR CAR PORT ROOF	200
E. FROM VERTICAL DRAIN PIPES AND SOIL PIPES	75
F. FROM INTERNAL OR EXTERNAL CORNERS	300
G. ABOVE ADJACENT GROUND OR BALCONY LEVEL	300
H. FROM A SURFACE FACING THE TERMINAL	600
I. FACING TERMINALS	1,200
J. FROM OPENING (DOOR/WINDOW) IN CARPORT INTO DWELLING	1,200
K. VERTICALLY FROM A TERMINAL ON THE SAME WALL	1,500
L. HORIZONTALLY FROM A TERMINAL ON THE SAME WALL	300
M. ADJACENT TO OPENING	150



	MAXIMUM LENGTH 'X'
1 METRE FLUE SYSTEM 100e MODEL ONLY	955mm (37in)
STANDARD FLUE SYSTEM 50e, 60e, & 80e MODELS ONLY	510mm (20in)
2 METRE FLUE SYSTEM 50e, 60e, & 80e MODELS ONLY	1955mm (77in)

FIG. 4 FLUE SETTINGS

ELECTRICITY SUPPLY

A 240 volts— 50Hz, single phase electricity supply fused to 3 amperes, must be provided in accordance with the latest edition of the I.E.E. Wiring Regulations and any other local regulations that may apply. The current rating of the wiring to the boiler must exceed 3 amperes and have a cross sectional area of at least 0.75mm² in accordance with BS 6500. Table 16. The supply to the boiler and its associated equipment

should be controlled by a 3A fused double pole switch (having at least 3mm contact separation in both poles) so that complete isolation from the supply can be achieved to enable servicing work to be carried out in safety.

TECHNICAL DATA - Page 6

Maximum working head	30.5m (100ft)
Minimum working head	150mm (6in)
Gas supply pressure	20 mbar
Maximum flow temperature	82°C
Electricity supply	240v—50Hz fused at 3A
Internal Fuse	Type T1A
Power Consumption	80 Watts (excluding pump)
Gas supply connection	Rc. ½ (½in BSP female)

	50e & 60e Models	80e & 100e Models
Appliance lift weight (mm)	26.0kg (57.3lbs)	33.5kg (73.871bs)
Appliance weight installed	37.1kg (81.8lbs)	46.4kg (102.3lbs)
Water content	2.0 litre (0.44 gal)	2.4 litre (0.53 gal)
Flow/Return connections	22mm copper	28mm copper

BOILER SIZE	INJECTOR SIZE	GAS RATE at 95.0 MJ/m ³ (2500 Btu/W) m ³ /h (W/h)	INPUT kW (Btu/h)	OUTPUT kW (Btu/h)	BURNER PRESSURE	SUPPLY PRESSURE
					mbar (in wg)	mbar (in wg)
50e	2.2mm	0.73 (25.8)	18.88 (64,400)	15.1 (51,500)	35.7 (14.3)	37 (14.8)
60e	2.4mm	0.89 (31.4)	23.0 (78,500)	18.4 (62,800)	35.7 (14.3)	37 (14.8)
80e	2.7mm	1.13 (40.0)	29.31 (100,000)	23.45 (80,000)	34.1 (13.7)	37 (14.8)
100e	3.0mm	1.42 (50.0)	36.64 (125,000)	29.3 (100,000)	33.2 (13.3)	37 (14.8)

CIRCULATION PUMP SELECTION

The resistance through the heat exchanger when operating with a water flow rate producing an 11 °C temperature rise at maximum boiler output are shown in TABLE 2. If other controls, such as three-position valves are used in the system, the resistance through them, quoted in their manufacturer's literature must be taken into account. The pump may be fitted on either the flow or return and MUST be wired directly to the boiler terminal block, see FIG. 23. It must be fitted with two isolating valves which are positioned as close to the pump as possible. Closing of any valve must always leave the open vent unobstructed.

TABLE 2

Boiler size	Water Flow Rate		BOILER RESISTANCE	
	Litres/sec	gal. min	kN.m	in wg
50e	.32	4.17	4.25	17.0
60e	.38	5.0	6.25	25.0
80e	.51	6.67	7.0	28.0
100e	.64	8.4	11.0	44.0

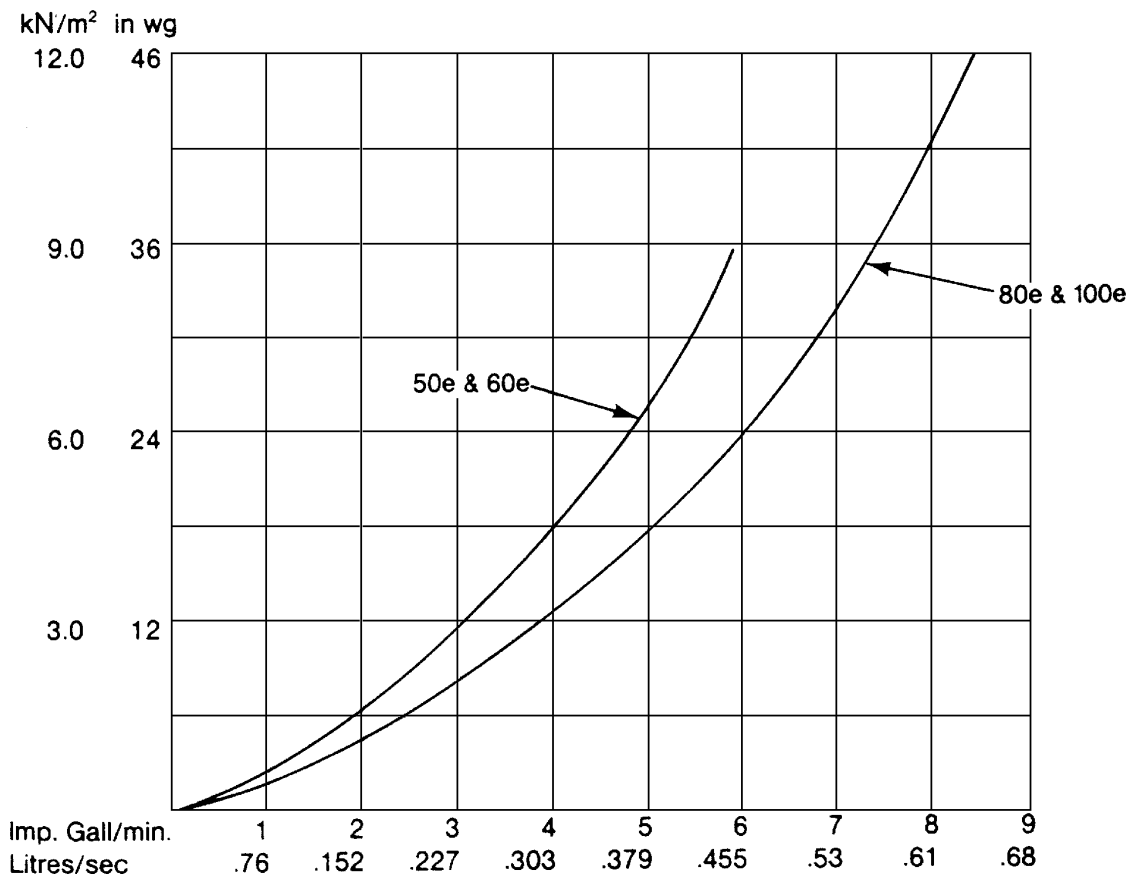


FIG. 5 PRESSURE LOSS ACROSS BOILER

The System

The boiler must be used on INDIRECT FULLY PUMPED systems only, which may be sealed or open vented.

The system should be designed so that the maximum static head does not exceed 30.5m (100ft) and a minimum of 150mm (6in). See FIG 6.

On all systems the pump should be wired to the boiler terminal block, it will then be controlled by the pump over-run thermostat. This will ensure that the pump will continue to run after boiler shut down if the water temperature is high, thus preventing nuisance operation of the overheat thermostat.

It is important that where electrically operated zone valves are used the boiler is wired so it does not cycle when the zone valves are closed. Also, systems fitted with controls that close both hot water and central heating circuits while the boiler is still hot, must be fitted with a by-pass circuit to dissipate the residual heat from within the boiler.

If a three port diverter valve is used as shown in FIGS. 6,7 a by-pass is not necessary since one circuit is always open.

Where a pair of two port valves are used, a by-pass is necessary. The total length of the by-pass circuit taken from the boiler connections should be greater than 4 metres of 22mm pipe. It should be fitted with a lockshield valve and be adjusted to maintain a minimum flow through the boiler of 4.5 litres/mm (1 gal/mm) see FIGS 6, 7.

Systems fitted with controls which allow the boiler to operate when both the hot water and central heating circuits are closed i.e. mechanically operated thermostatic control valves, must be fitted with a by-pass circuit capable of:-

1. Dissipating a minimum of 1 kW (3400 Btu/h).
2. Maintaining a minimum water flow through the boiler of 9 litres/mm (2 gal/mm).

A suggested method of meeting these requirements by using a bathroom radiator fitted with two lockshield valves is shown in FIGS. 6, 7.

Additional system information can be found in the Control Systems, Pipework and Wiring Guide.

Drain off taps should be fitted in the pipework close to the boiler and in the low points of the system.

NOTE

Although the system can be emptied using the drain off taps installed in the pipework around the system, to empty the boiler it is necessary to remove the drain off cap positioned within the boiler case. See FIG. 2.

SEALED SYSTEMS

Installation

The installation must comply with the requirements of BS 6798 1987 and BS 5449 Part 1. The B.G. publication "British Gas Specification for Domestic Wet Central Heating Systems" should also be consulted.

Safety Valve

A non-adjustable spring-loaded safety valve, preset to operate at 3 bar (451bf/in²) shall be used. It must comply with BS 6759 Part 1 and include a manual testing device. It shall be positioned in the flow pipe either horizontally or vertically upwards and close to the boiler. No shut-off valves are to be placed between the boiler and the safety valve. The valve should be installed into a discharge pipe which permits the safe discharge of steam and hot water such that no hazard to persons or damage to electrical components is caused.

Pressure Gauge

A pressure gauge incorporating a fill pressure indicator, covering the range 0-4 bar (601bf/in²) shall be fitted to the system. It should be connected to the system, preferably at the same point as the expansion vessel. Its location should be visible from the filling point.

Expansion Vessel

A diaphragm type expansion vessel to BS4814 Part 1 shall be fitted close to the inlet side of the pump. The connecting pipework should not be less than 15mm (1/2in nominal). Pipework connecting the expansion vessel should not incorporate valves of any sort. Methods of supporting the vessel are supplied by the manufacturer. The nitrogen or air charge pressure of the expansion vessel shall not be less than the hydrostatic head (height of the top point of the system above the expansion vessel). To size the expansion vessel it is first necessary to calculate the volume of water in the system in litres. The following volumes may be used as a conservative guide to calculating the system volume.

Boiler Heat Exchanger:	6.5 litres
Small Bore Pipework:	1 litre per kW of system output
Micro Bore Pipework:	7 litres
Steel Panel Radiators:	8 litres per kW of system output
Low Water Capacity Radiators:	2 litres per kW of system output
Hot water Cylinder:	2 litres

If the system is extended, the expansion vessel volume may have to be increased unless previous provision has been made for the extension. Where a vessel of the calculated size is not available, the next available larger size should be used.

The boiler flow temperature is controlled at approximately 82°C.

The vessel size can now be determined from the following table where V=System volume in litres

Vessel Charge Pressure(bar)	0.5	1.0
Initial System Pressure (bar)	1.0	1.0
Expansion Vessel Volume (litres)	V x 0.11	V x 0.087

Cylinder

The hot water cylinder must be an indirect coil type or a direct cylinder fitted with an immersion calorifier suitable for operating at a gauge pressure of 0.3 bar (5lb/in²) in excess of safety valve setting. Single feed indirect cylinders are not suitable for sealed systems.

Method of Make-Up

Provision shall be made for replacing water loss from the system either:—

- i) from a make-up vessel or tank mounted in a position higher than the top point of the system, and connected through a non-return valve to the system on the return side of hot water cylinder or the return side of all heat emitters.
- or
- ii) where access to a make-up vessel would be difficult by using the mains top up method or a remote automatic pressurisation and make-up unit as illustrated in FIG. 7 METHODS 1 and 2.

Mains Connection

There shall be no connection to the mains water supply or to the water storage tank which supplies domestic water even through a non-return valve, without the approval of the local Water Authority.

Filling Point

The system shall be fitted with a filling point at low level which incorporates a stop valve to BS1 010 and a double check valve (approved by the National Water Council) to be fitted in this order from the system mains, Refer to FIG. 7. Method 1.

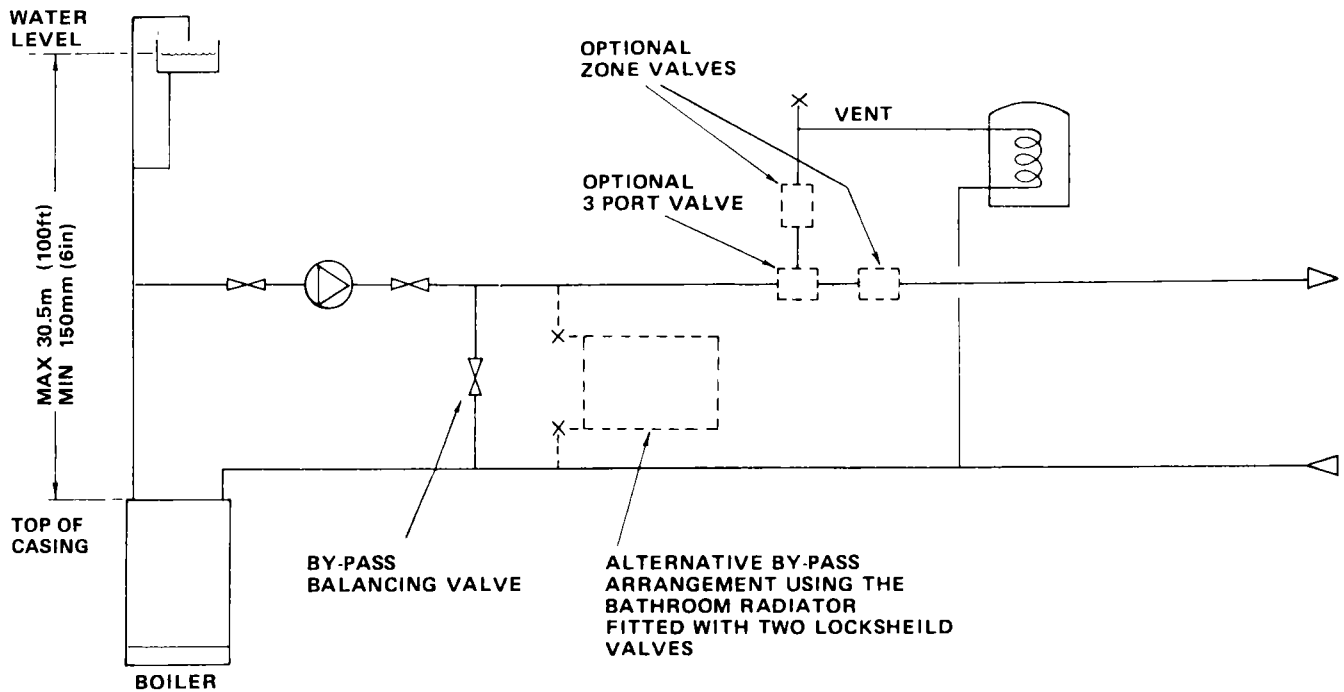
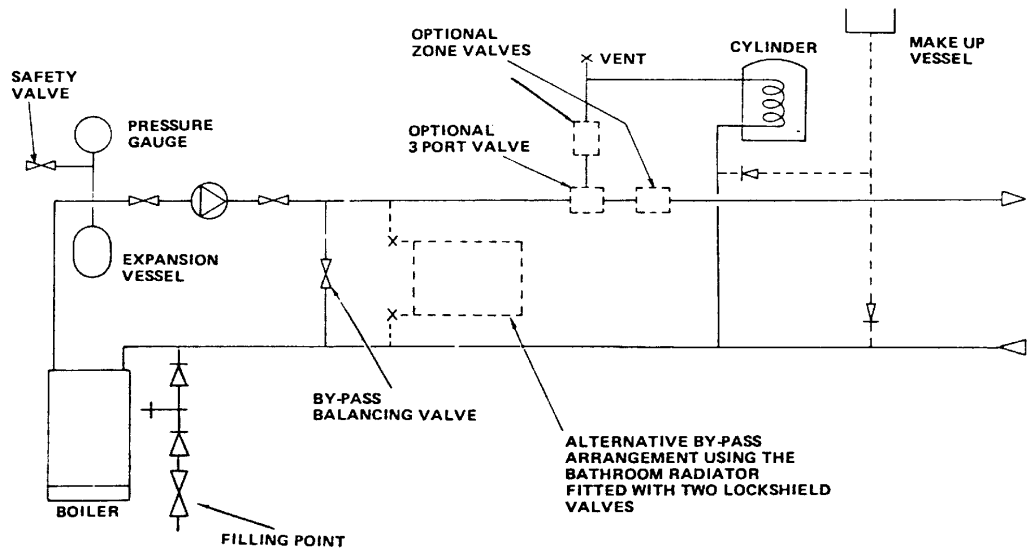


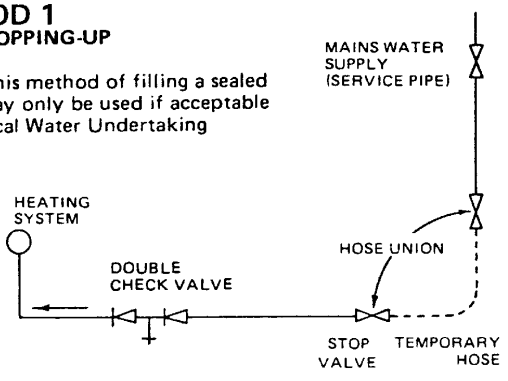
FIG. 6 OPEN VENTED FULLY PUMPED SYSTEM FITTED WITH A COMBINED FEED AND VENT



Two methods of filling a sealed water system

**METHOD 1
MAINS TOPPING-UP
METHOD**

NOTE: This method of filling a sealed system may only be used if acceptable to the Local Water Undertaking



**METHOD 2
CISTERN FILLING METHOD**

NOTE: Cistern to be supplied through a temporary connection from a service pipe or cold water distributing pipe

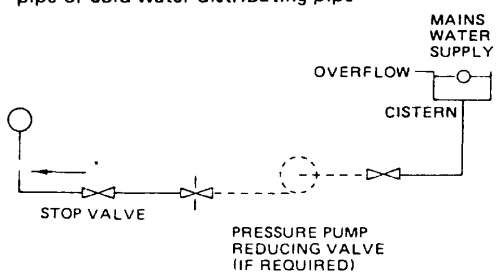


FIG 7. FULLY PUMPED SEALED SYSTEM

It is the law that all gas appliances are installed and serviced by competent persons as stated in Gas Safety (Installation and Use) Regulations 1984. For Health and Safety Information see back page.

The boiler and its associated equipment will arrive on site in two cardboard cartons. The contents of each carton is as follows.

CARTON 1:— Boiler Pack

- Boiler
- Template
- Literature Pack Containing:—
 - Installation and Servicing Instructions
 - User's Instructions
 - Control Systems Pipework and Wiring Guide
- Auxiliary Pack Containing:—
 - Boiler Mounting Bracket
 - Gas Service Cock and Accessory Packs

CARTON 2:—Flue System Pack

- Horizontal Flue Packs
 - Air/Flue Duct Assembly (length as ordered)
 - Flue Elbow Extension
 - Flue Terminal
 - Flue Sealing Collar
 - Rope Sealing Ring
 - Side Infill Panels—2 off
- Vertical Flue Pack (2 cartons)
 - Air/Flue Duct Assembly
 - Flue Terminal
 - Terminal Cowl
 - Vertical Flue Adapter
 - Accessory Pack
 - Side Infill Panels—2 off
 - Flue Installation Instructions

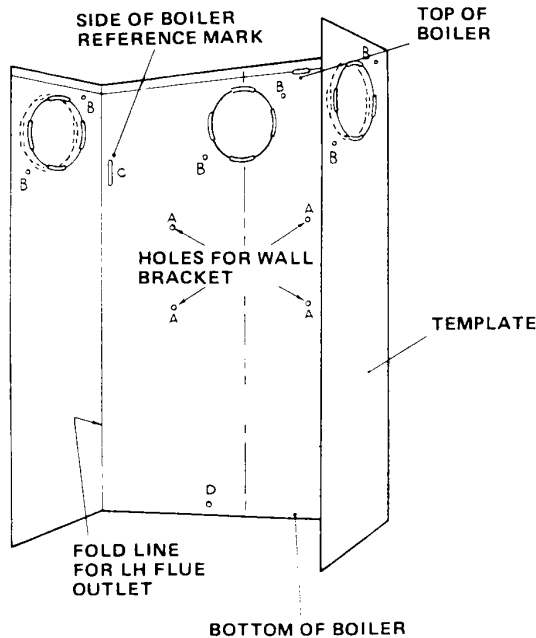


FIG. 8 TEMPLATE

Place template in proposed boiler position ensuring it is level (the minimum side clearances are automatically allowed for)

REAR FLUING

Mark holes 'A', 'B', 'D', large flue outlet hole and side of boiler reference lines through slots 'C'.

SIDE FLUING

Mark hole positions 'A', 'D' and side of boiler reference lines through Slots 'C'.

Mark large flue outlet hole and holes 'B' using the thick lines on the template for minimum clearance at the rear of the boiler and the thin dotted lines for maximum clearance. See NOTE on FIG. 1

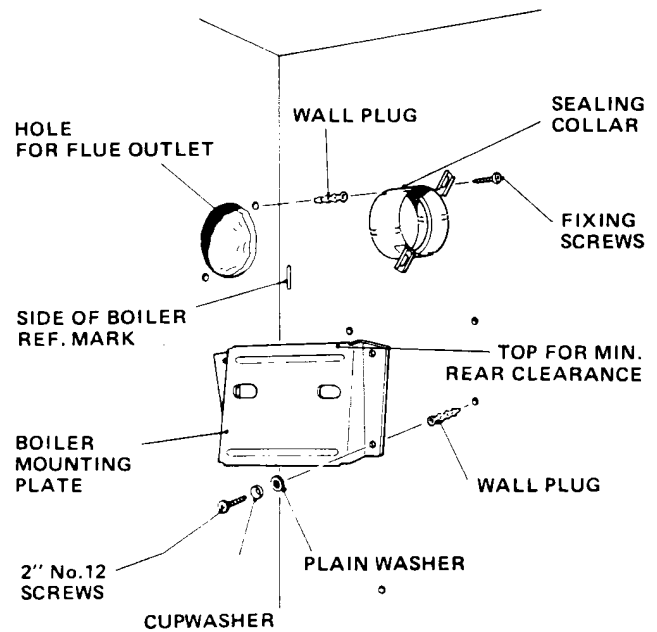


FIG. 9 BOILER MOUNTING PLATE

Remove template and carefully cut flue outlet hole through wall. If necessary make good around hole to enable holes 'B' to be drilled. (If internal flue fitment kit is being used refer to instructions supplied with kit).

Drill holes 'A' using a 7 mm drill

Drill holes 'B' and 'D' using a 5 mm drill

Using wall plugs, screws and washers (accessory pack A) attach boiler mounting plate to wall. Ensure that it is level and the correct way up, i.e. to provide the clearance at the rear of the boiler allowed for when marking out using the template. See also NOTE on FIG. 1.

Insert wall plugs into holes 'B' (accessory pack B) and hole 'D' (accessory pack D).

Insert flue sealing collar into wall and secure with screws provided, (accessory pack B). Make good the internal wall surface around flue sealing collar.

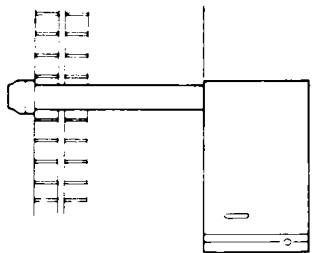


FIG. 10a SIDE FLUE

1. Measure from outside face of wall to the side of boiler casing reference line (dimension 'x').
2. Take air/flue duct assembly and measuring from the flanged end, mark and cut the outer duct and inner flue duct to dimension 'x' plus 20mm. Ensure that both ducts are cut squarely.

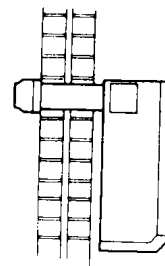


FIG. 10b REAR FLUE

1. Measure wall thickness (dimension 'Y').
2. Take air/flue duct assembly and measuring from the flanged end, mark and cut the outer air duct and inner flue duct to dimension 'Y', plus 45 mm. Ensure that both ducts are cut squarely.

NOTE

Cutting length remains the same for minimum or maximum clearance at the rear of the boiler.

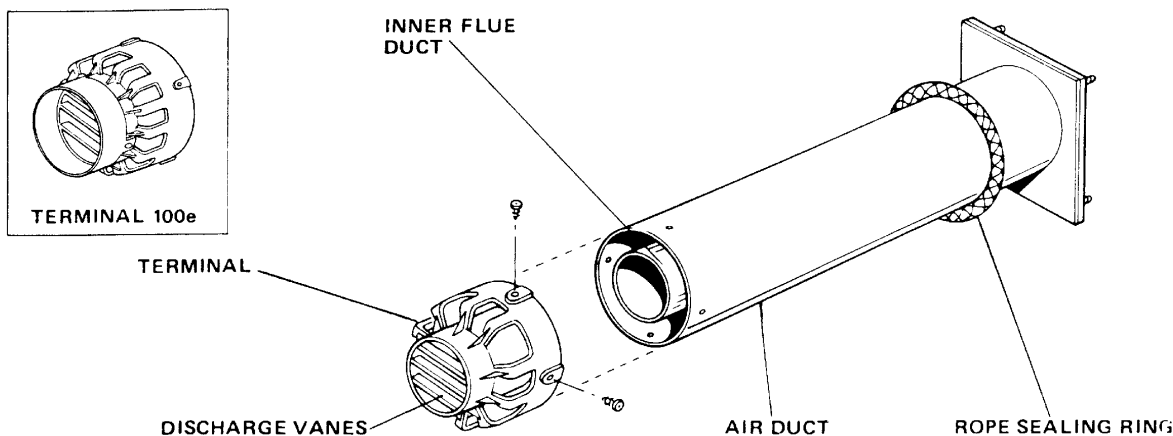


FIG. 11 AIR/FLUE DUCT ASSEMBLY

1. Slide rope sealing ring on to air duct.
2. Engage the terminal on to the ends of the inner flue duct and outer air duct with its discharge vanes arranged to deflect the flue products in the desired direction. Press terminal fully home.
3. Engage four screws from accessory pack 'C' into the pre-drilled holes in the terminal and screw fully home. These screws which are self drilling will pierce the air duct and secure the terminal to air duct
4. Protect duct where it is likely to come into contact with mortar by using adhesive tape provided (accessory pack E).
5. Insert the assembly into the wall sliding the rope sealing ring along the air duct into the flue sealing collar. Bend the six tabs on flue sealing collar inwards to retain the rope sealing ring. Ensure air duct flange studs do not obstruct lifting of boiler onto mounting bracket.

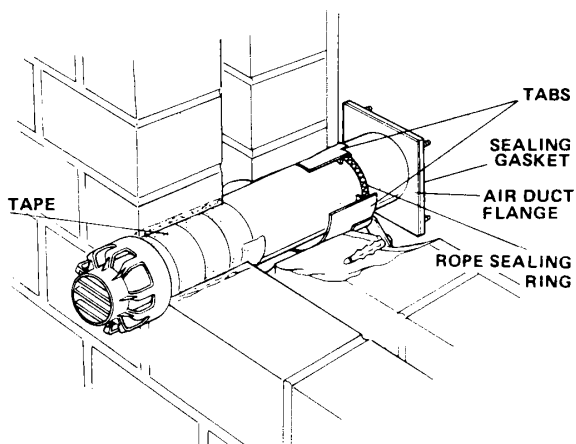


FIG. 12 SECTIONAL VIEW OF AIR/FLUE DUCT ASSY THROUGH WALL

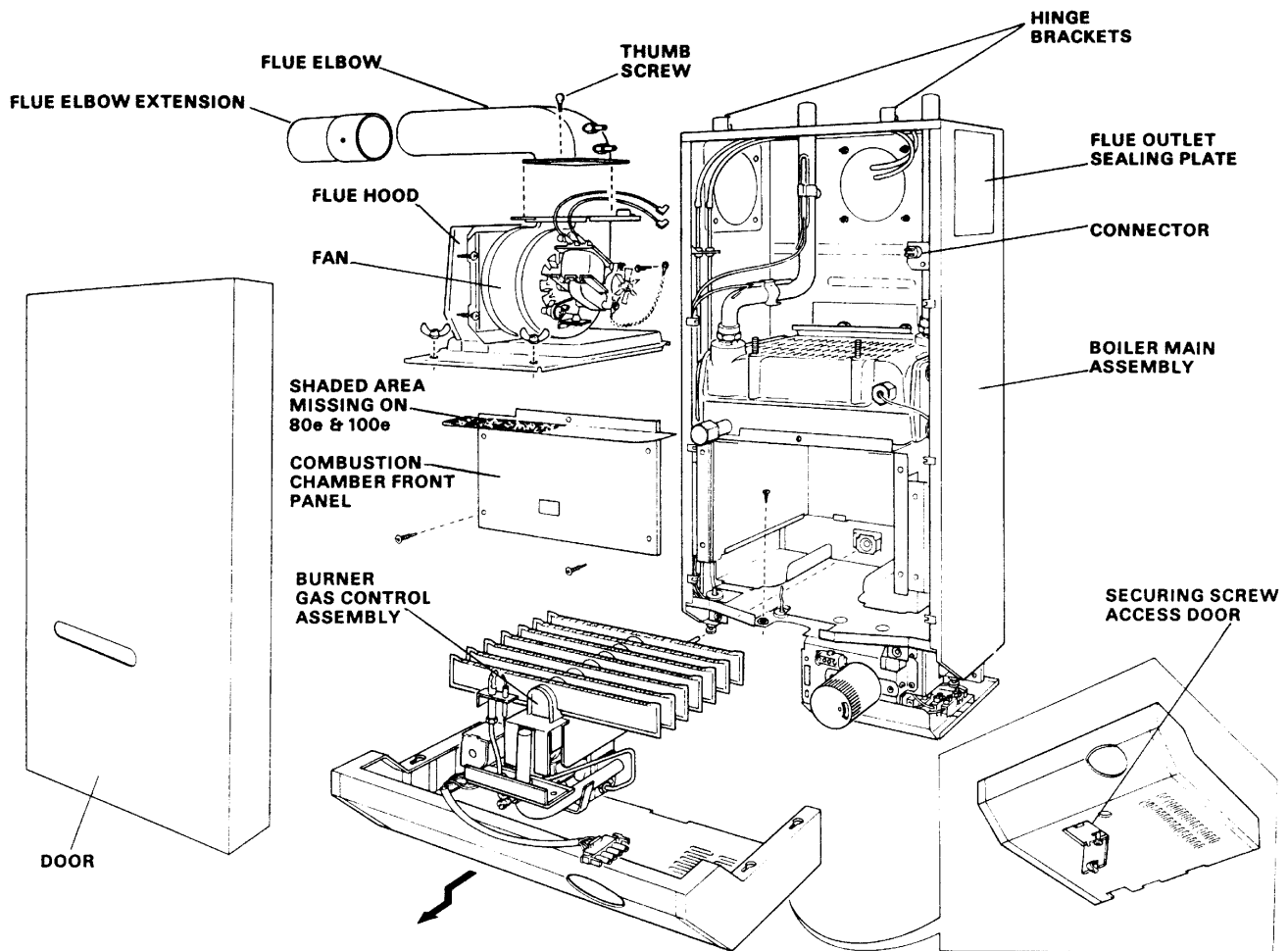


FIG. 13 PREPARING THE BOILER

The controls cover should have been removed when unpacking the boiler, if not remove controls cover by opening the door covering the securing screw on the underside of controls cover, see FIG 13.

Undo securing screw, pull controls cover forward 10 mm, lower to release from four side fixings and pull forward clear of thermostat knob.

Remove the door by undoing the lower fixing screws and lift door off the two upper hinge brackets.

Disconnect the two flexible tubes from the flue elbow.

Remove thumb screw securing the flue elbow and remove elbow by sliding forward to disengage it from its rear retaining flange.

NOTE

The boiler is supplied with the left hand flue outlet sealing plate removed. If another flue outlet direction is required, remove the appropriate flue outlet sealing plate and transfer it to the left hand position.

The boiler may now be lifted onto its mounting bracket or if desired the appliance liftweight can be further reduced by removing the fan/fluehood assembly also the burner/ gas control assembly as follows.

1. Removing fan/fluehood assembly.

Disconnect the fan supply and earth leads from the connector adjacent to the fan. Remove the two wing nuts securing the flue hood to the heat exchanger. Uft out fan/fluehood assembly.

2. Removing burner/gas control assembly.

Remove the screws securing the combustion chamber front panel and remove panel. Unplug the electrical supply leads for the gas control valve from the control box.

Remove the screw securing the gas control valve to its support bracket.

Disconnect electrode lead from electrode. Remove two screws securing the burner assembly to the bottom of the boiler case and lift out the burner/gas control assembly.

LIFTING THE BOILER

Lift the boiler onto its mounting bracket.

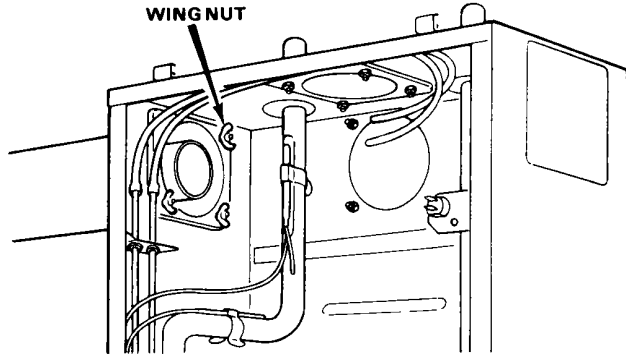


FIG. 14

Locate the studs on the air duct flange through the boiler casing and secure using four wing nuts (accessory pack F).

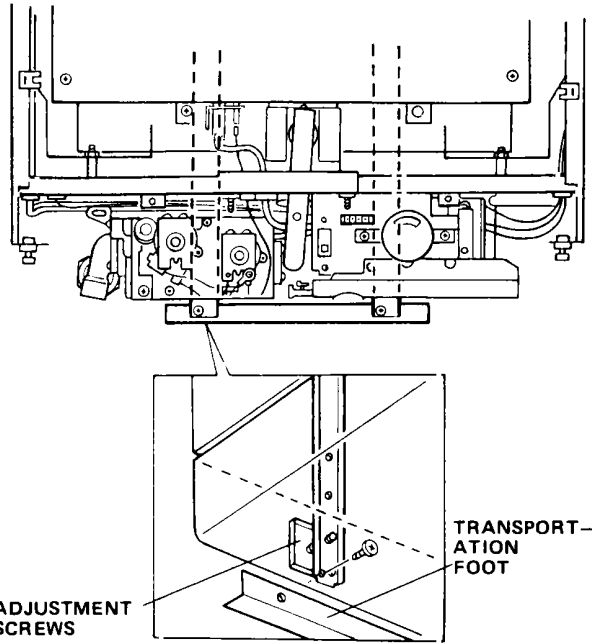


FIG. 15 TRANSPORTATION FOOT

Position boiler on its mounting bracket so that the sides of the boiler line up with the reference lines 'C' on the rear wall. Undo the two screws securing the transportation foot and discard foot. Vertical alignment with rearwall can be corrected using the adjustment screws at the rear of the boiler. See FIGS. 15 & 16.

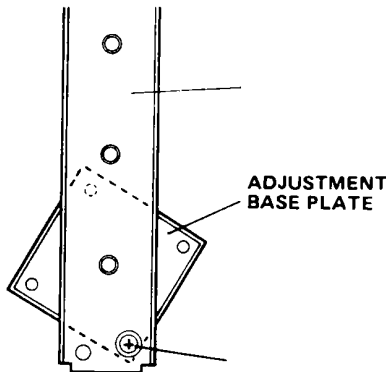


FIG. 16 SECURING BOILER

Rotate the left hand adjustment screw to align one of the holes in the base plate with hole 'D' in the wall. Working through the hole in the leg, secure the base plate to the wall using the screw from accessory pack D. Make good the wall surface around the flue terminal. Fit optional terminal wall plate if required.

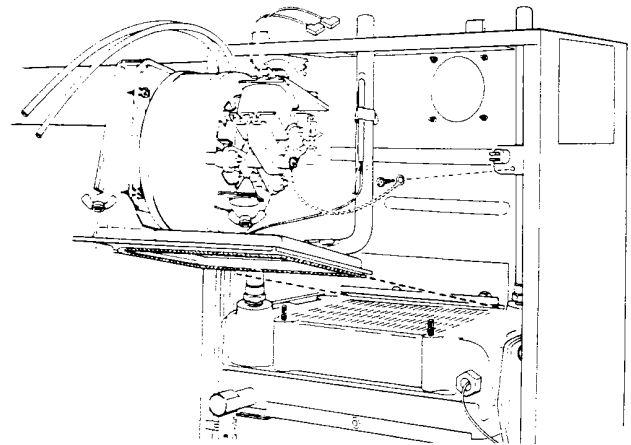


FIG. 17

If the fan/fluehood assembly or burner/gas control assembly were removed to reduce the appliance lift weight, refit them to the boiler. Reassembly is the reverse of removal. When refitting the burner/gas control assembly ensure that the locating pin on the rear of the burner engages correctly into the rear support bracket.

When refitting the fan/fluehood assembly ensure that the rear of the fluehood is correctly located beneath retaining flange. See FIG. 17.

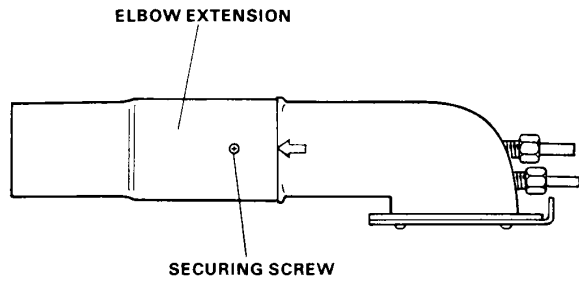


FIG. 18 FLUE ELBOW EXTENSION

When side fluing, slide the elbow extension onto the elbow, push on fully and align the hole for securing screw with arrow on elbow. Engage the screw from accessory pack 'C' into the pre-drilled hole in elbow extension and screw fully home. The screw which is self drilling will pierce the elbow and secure the extension to the elbow.

When rear fluing, the elbow extension should be discarded.

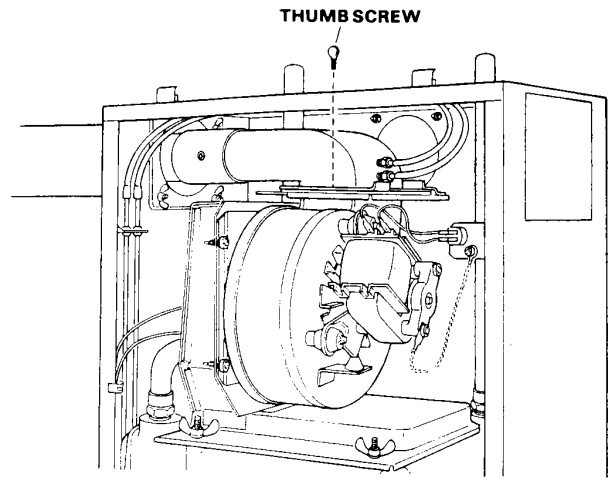


FIG.19 LOCATION OF PRESSURE SENSING TUBES

Slide the flue elbow into the flue duct, ensure that the sealing gasket is in place and the elbow is correctly located beneath the retaining flange at the rear. See FIG.19.

Secure elbow using thumb screw previously removed.

Reconnect flexible tubes to elbow.

ENSURE THEY ARE NOT KINKED.

The tubes are supplied at the length required for left hand flue outlet. When using rear or right hand flue outlets, to avoid kinking, the tubes should be shortened by 150mm. A band around the tube indicates the cutting point.

NOTE

Red tube connects the front aluminium tube to the lower connection on the elbow, each being identified with a red ring.

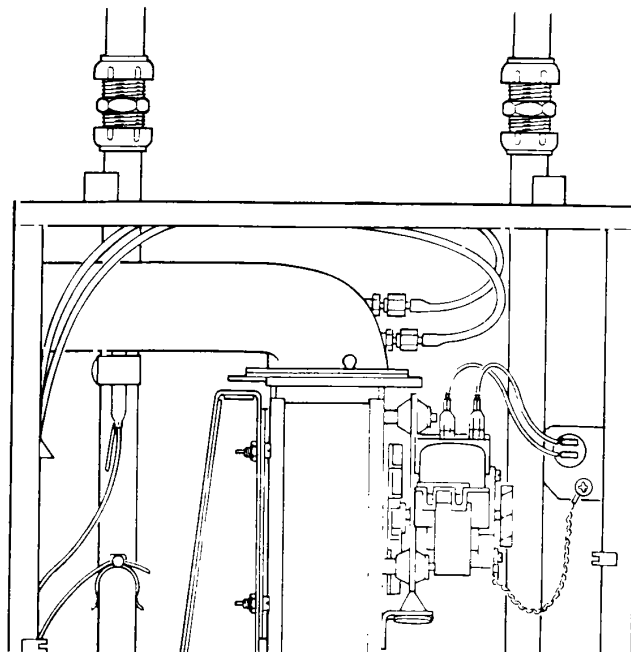


FIG. 20 PIPE CONNECTIONS

Connect system pipework to the boiler, compression fittings should be used. If however capillary fittings are used it is essential to temporarily remove both of the thermostat bulbs from the flow pipe before soldering.

A drain off tap should be installed close to the boiler if it is in a low point of the system. Connect the gas supply pipe to the inlet of the gas cock. Ensure the gas cock is in a position where it can be easily operated when the controls cover is removed.

ELECTRICAL

The boiler and all external control circuit wiring must be supplied from the same single isolating switch or plug and socket, and should be fused at 3A.

Care must be taken to ensure that all wiring to the boiler is kept clear of sharp edges and hot surfaces.

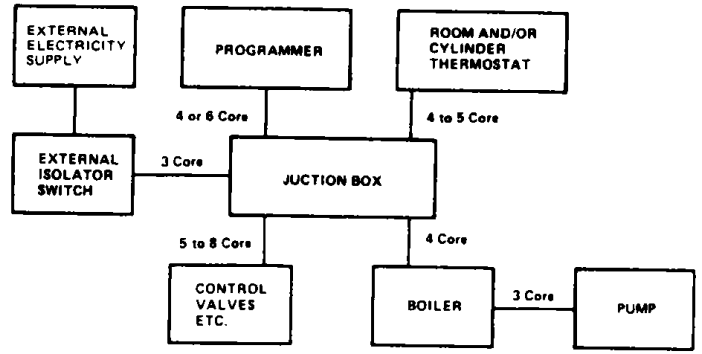


FIG. 21 PRINCIPLE OF WIRING

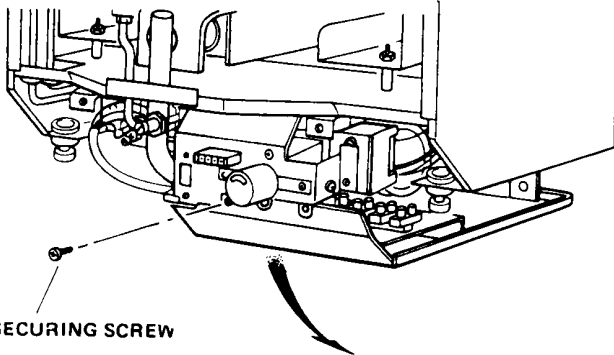


FIG. 22 ACCESS TO THE BOILER ELECTRICAL TERMINAL BLOCK

The boiler terminal block which is situated in the control box is not designed to accept wiring from all the on site controls and therefore the installer will usually need to incorporate a suitable junction box. This may not be required if a Potterton Electronic Programmer is used as this incorporates a junction box. The principle of wiring is shown in FIG. 21. Further information on wiring of system controls can be found in the Control System, Pipework and Wiring Guide. Remove control box securing screw and lower the control box to gain access to the boiler terminal block. FIG. 22 ACCESS TO THE BOILER ELECTRICAL Remove packaging from rear of the control box.

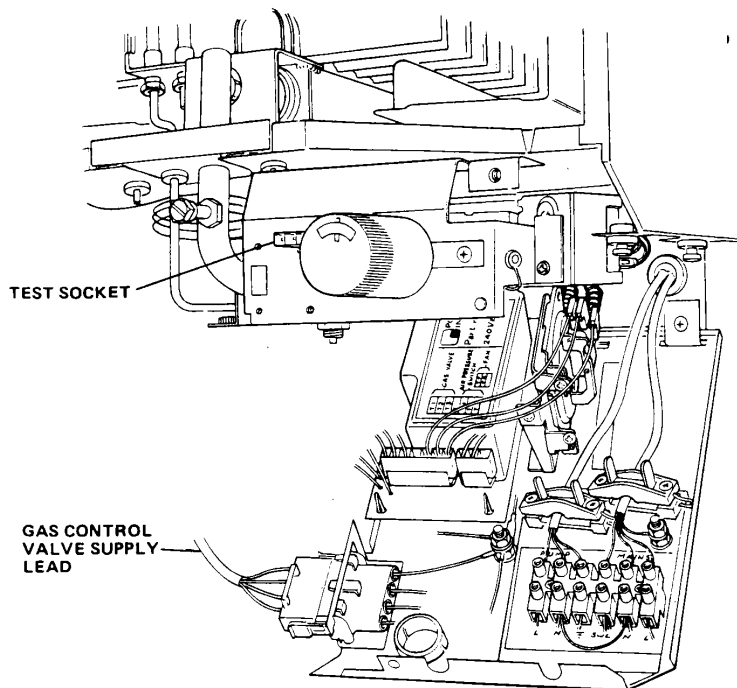


FIG. 23 ROUTING OF ELECTRICAL WIRING

Following the pump manufacturer's instructions connect the pump supply wires to terminals marked PUMP LN $\frac{1}{2}$ on the boiler terminal block. Route the cable through the plastic bush in the rear of the control box as illustrated in FIG. 23 and secure, using the cable clamp.

Route a four core cable through the plastic bush in the rear of the control box and the cable clamp as illustrated in FIG. 23 and connect it to the boiler input terminals as follows:

Permanent live to terminal marked MAINS 'L'.
Neutral to terminal marked MAINS 'N'.

Earth to terminal marked $\frac{1}{2}$ adjacent to cable clamp.
See NOTE.

Switched live from external controls to terminal marked MAINS 'SwL'.

If there are no external controls fitted connect the SwL terminal to permanent live in the junction box.

FITTING SIDE INFILL PANELS

If required, the gap between the casing sides and rear wall can be closed off using the infill panels supplied.

Minimum or maximum rear boiler clearance is catered for by turning the infill panel. Attach each infill panel to the rear of the boiler using two pieces of magnetic strip (accessory pack G) positioned as illustrated.

NOTE:

Ensure that the earth conductor is longer than the L, N & SwL from the point of anchorage, so that the current carrying conductors become taut before the earth conductor if cable is pulled out of the cable clamp. When the wiring has been completed close the control box and replace the securing screw.

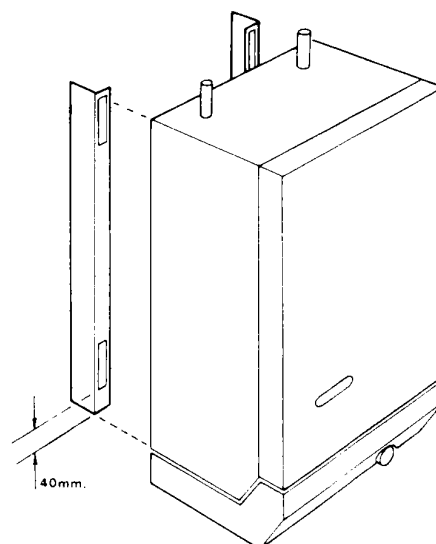


FIG. 24

Open Vented Systems

Remove the pump and flush out the system thoroughly with cold water. Refit the pump. Fill and vent the system. Examine for leaks.

Sealed Systems

NOTE:

The system can be filled using a sealed system filler pump with a break tank or by any other method approved by the Local Water Authority. Refer to 'THE SYSTEM' section Page 8 in these instructions, also BS 6798 1987.

Remove pump and flush out the System thoroughly with cold water. Refit the pump. Fill and vent the system until the pressure gauge registers 1.5 bar (21.5 lbf/in²). Examine for leaks. Raise the pressure until the safety valve lifts. This should occur within ± 0.3 bar of the preset lift pressure of 3 bar. Release water to attain the correct cold fill pressure, and set the indicator on the water gauge to this value.

All Systems

The whole of the gas installation including the meter should be inspected and tested for soundness and purged in accordance with the recommendations of BS 6891.

Test pilot unions for gas soundness as follows:— Turn boiler thermostat to the '0' position.

Unplug the gas control valve supply lead from the control box and plug it into the test socket adjacent to the boiler thermostat knob, See FIG. 23.

Turn on gas at the gas service cock.

Ensure that the time control if fitted is in an ON condition and that the room and/or cylinder thermostats where fitted are set to high temperatures.

Switch on the external electricity supply to the boiler.

Gas will flow to the pilot only. It will not be ignited as the ignition system is de-energised.

Using a leak detection fluid, check pilot unions for gas soundness.

Turn off the external electricity supply and gas service cock.

Remove gas control valve plug from the test socket and refit the plug into the socket on the left hand side of the control box. See FIG. 23.

Refit the combustion chamber front panel.

Fit the case door into position by lifting it onto the top hinge brackets and secure it with the lower two fixing screws.

First Lighting

WARNING: Before lighting the boiler, ensure that the CASE DOOR HAS BEEN CORRECTLY FITTED and that the sealing strip fitted to the case door is forming a tight seal with the main boiler casing. Before proceeding to light the boiler, check that the external electricity supply to the boiler is switched off and that the boiler thermostat is in the '0' position.

Turn on the gas service cock.

Ensure that the pump and radiator isolating valves are open.

Ensure that the time control, if fitted is in an on condition, and that the room and/or cylinder thermostats, where fitted are set to high temperatures.

Switch on the external electricity supply to the boiler.

After installation of the appliance, preliminary electrical system checks must be carried out. The checks to be carried out are:—

- A. Earth Continuity
- B. Short Circuit
- C. Polarity
- D. Resistance to Earth

Refer to Fault Finding Chart FIG. 30

Turn the boiler thermostat on and to a high setting and after a period of time the main burner will light, this can be observed through the sight glass in the front cover of the boiler. The time period can vary upwards of 45 seconds, depending on the amount of air in the pipework.

Test for gas soundness around the boiler components using leak detection fluid.

Turn the boiler thermostat to '0'.

NOTE:

There could be a delay in lighting if the control knob is switched on and off and then on again rapidly

SETTING AND CHECKING OF CONTROLS

With the controls cover removed.

Fit a pressure gauge to the pressure test nipple in burner supply pipe. See FIG. 2.

Turn on the boiler thermostat and ensure that the main burner is alight.

Ten minutes after lighting check that the burner pressure is in accordance with the values stated under TECHNICAL DATA. On the first main burner ignition of a newly installed boiler, supplied from a new bulk storage installation, some noise may be emitted due to air in the pipeline. This noise may persist on subsequent ignitions for a day or two according to usage, until any air remaining in the supply system has been purged.

HONEYWELL

SPACER

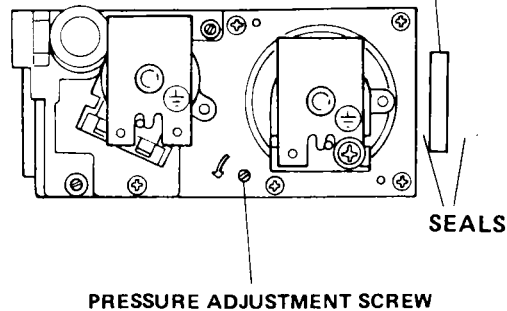


FIG. 25 MAIN BURNER PRESSURE ADJUSTMENT

Shut down the boiler remove the pressure gauge and refit the screw in the test nipple ensuring that a tight seal is made.

Refit the controls cover.

Relight the boiler and heat the system to maximum. Check for water leaks, turn the boiler off, drain the system whilst hot.

Refill the system and on sealed systems adjust to the correct cold fill pressure. Set the pressure gauge pointer to the system design pressure.

If a by-pass circuit is fitted the by-pass valve should be adjusted with the boiler operating under minimum load conditions to maintain sufficient water flow through the boiler to ensure that the overheat thermostat does not operate under normal operating conditions.

Pilot Burner

The pilot is pre-set and no adjustment is required. The pilot flame envelope should cover the electrode tip, see FIG. 29. If the pilot flame is not as illustrated, remove and clean the pilot as described in the Servicing Instructions Section 4, PILOT BURNER, Page 22.

Boiler Thermostat

At its minimum and maximum settings, the thermostat should control the water flow temperature at approximately 55°C—82°C (130°F—180°F).

The thermostat has been calibrated by the makers and no attempt should be made to re-calibrate it on site. Turn the thermostat to the '0' position and check that the main burner shuts down.

Pump Over-Run Thermostat

Will keep the pump running after the boiler has shut down, as long as the water temperature within the boiler is above 80°C.

The thermostat is preset and no adjustment is possible.

Overheat Thermostat

The overheat thermostat is pre-set and no adjustment is possible. It will require manually resetting if an overheat condition occurs. Access to the reset button is through a hole in the underside of the controls cover, see FIG. 2.

Other Boiler Controls

All boiler mounted controls are designed so that if any fault should occur they will fail safe. No further setting or checking is necessary.

External Controls

Check that any other external control connected in the system, such as clocks and thermostats, control the boiler as required.

User's Instructions

A User's Instructions leaflet is provided with this boiler but the householder must have the operation of the boiler and system explained by the Installer. The householder must also be advised of the importance of annual servicing and of the precautions necessary to prevent damage to the system and building, in the event of the system remaining out of commission in frost conditions.

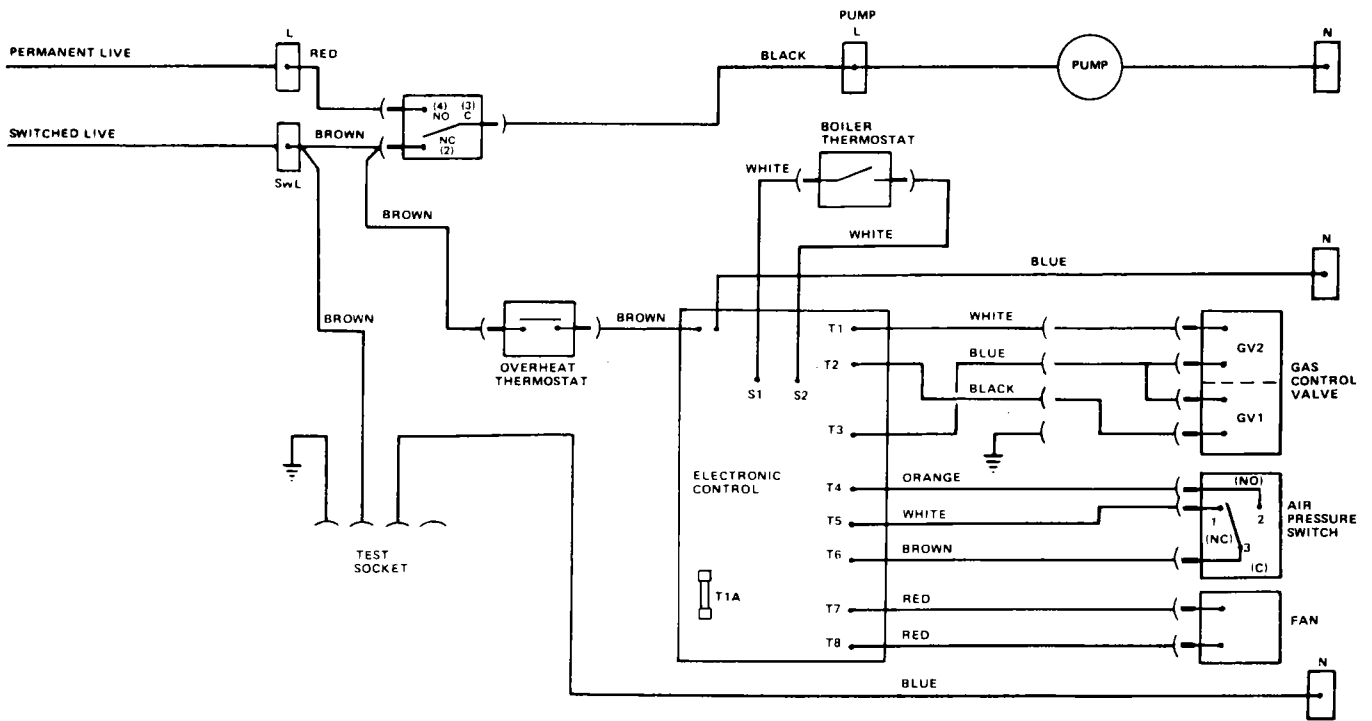


FIG. 26 FUNCTIONAL FLOW DIAGRAM

HONEYWELL

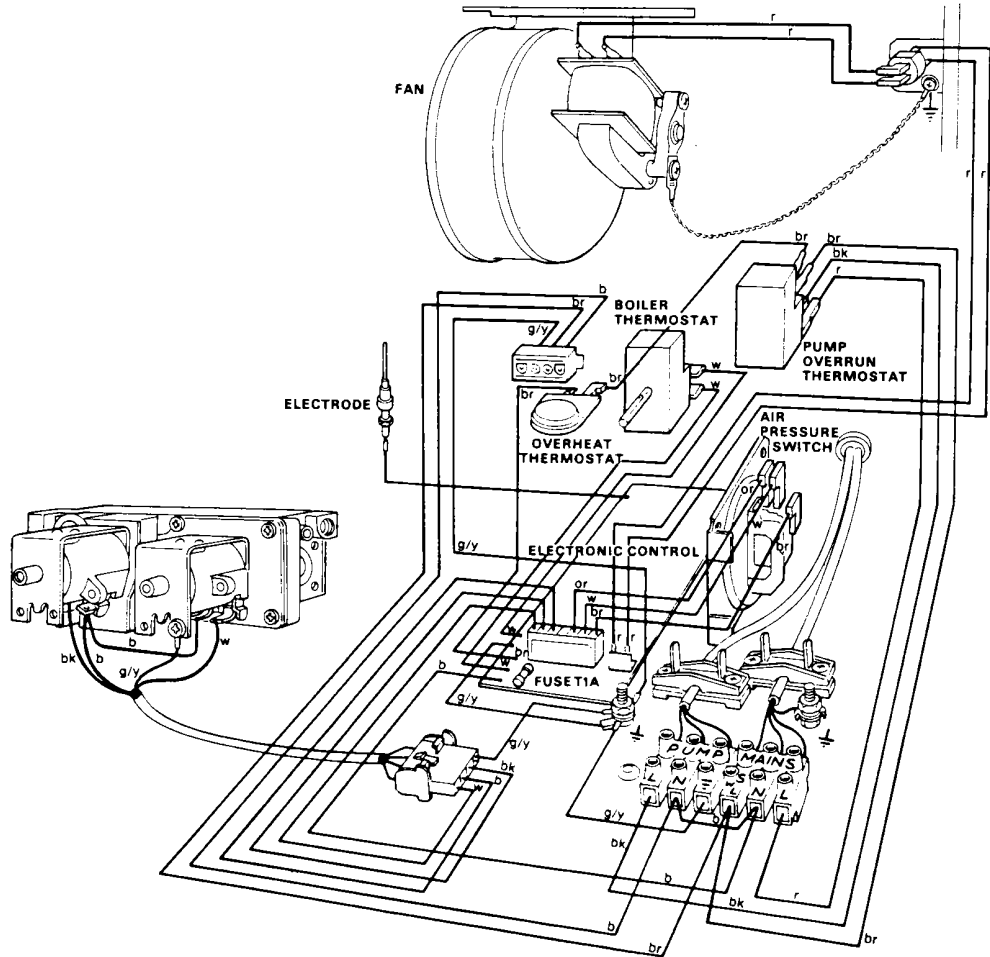


FIG. 27 BOILER WIRING DIAGRAM

Regular skilled servicing and cleaning of the appliance is essential to ensure continued safe and efficient operation. The frequency of cleaning will depend upon the particular installation conditions, and the use to which the appliance is put, but in general, once per year should be adequate.

It is the law that all gas appliances are installed and serviced by competent persons as stated in Gas Safety (Installation and Use) Regulations 1984.

For Health and Safety Information see back page.

Servicing is best arranged by a contract placed with Potterton Myson Limited and further details are available from the local Potterton Regional Service Office.

The boiler DATA PLATE and WIRING DIAGRAM are attached to the inside of the controls cover. The boiler CODE NUMBER which should be quoted when ordering spares or requesting information is on the front of the control box. See FIG. 2.

All parts likely to require servicing are readily accessible. By removing the cover from the boiler controls and removing the front door from the boiler, most components are exposed. Remove the front of the combustion chamber to gain access to the main and pilot burner and the ignition electrode.

Removal of the flue elbow, fan and fluehood will expose the flueways in the heat exchanger for cleaning.

The following notes apply to the boiler and its controls but it should be remembered that attention must also be paid to the heating circuit itself including radiator valves, thermostats, the time control and the expansion and

feed water system. It is advisable to clean the boiler immediately after the end of the heating season. In all cases prior to servicing, light up the boiler and check that the pilot and main burners have a clean, even flame and that the main burner pressure is correct. If the pilot flame is satisfactory, no further servicing of the pilot burner is necessary and the information given in '4. PILOT BURNER' can be ignored.

WARNING

Before the start of any servicing work, switch off at the external electricity supply by disconnecting the supply plug at the socket or switching off the external isolating switch. Turn off the gas service cock.

NOTE: After completing any servicing or replacement of components check for gas soundness and carry out functional checks.

1. PREPARING THE BOILER FOR SERVICING

See FIG. 13.

NOTE: Boilers with side or rear flues have a flue elbow fitted to the fluehood.

The elbow is replaced by an adapter on vertically flued boilers.

- A. Remove controls cover by opening the door covering the securing screw on the underside of the controls cover, see FIG. 13. Undo securing screw, pull controls cover forward 10mm, lower it to release it from its four side fixings and pull forward clear of the thermostat knob.
- B. Remove door by undoing the lower fixing screws and lift door off the two upper hinge brackets

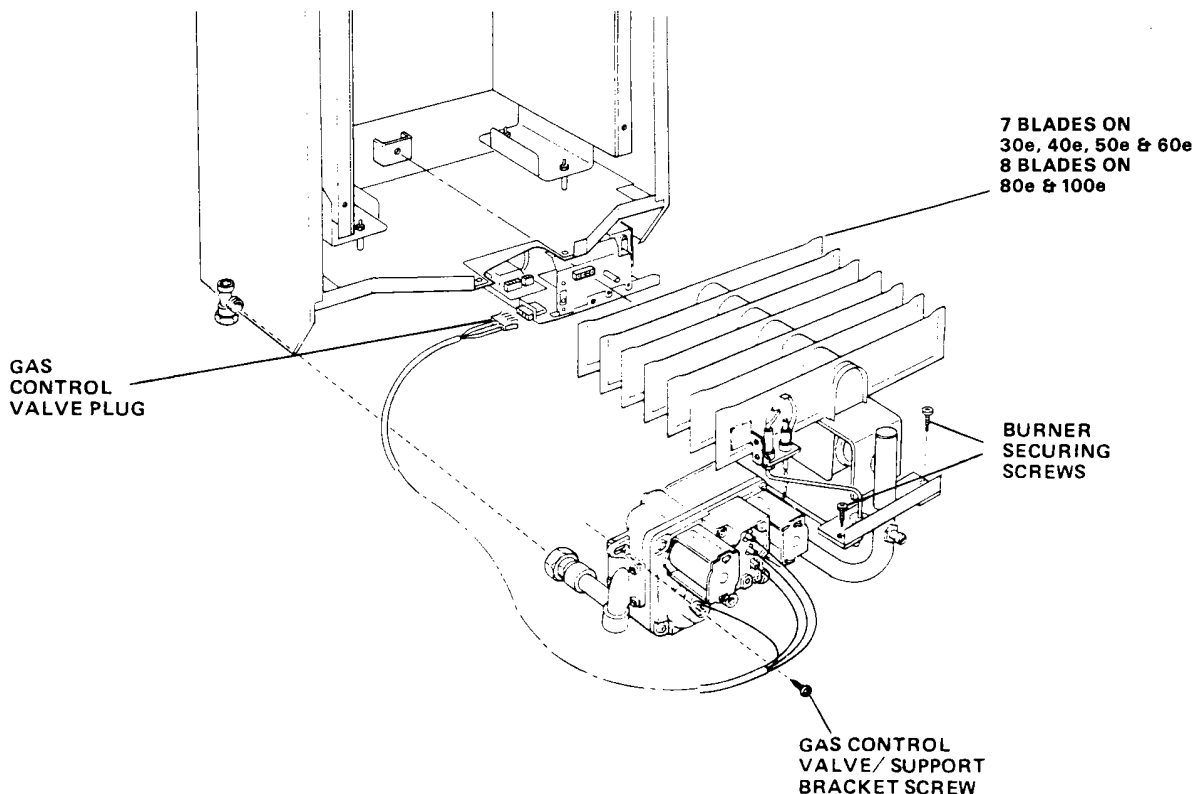


FIG. 28 BURNER AND GAS CONTROL ASSEMBLY

- C. Remove screws securing the combustion chamber front panel and remove panel.
- D. Disconnect the two flexible tubes from the flue elbow.
- E. Remove thumb screw securing the flue elbow and withdraw elbow. Take care not to damage the gasket. On vertically flued boilers remove two thumb screws and slide the vertical flue adapter up into the flue duct.
- F. Disconnect the fan supply and earth leads from the connector adjacent to the fan. Remove the two wing nuts securing the flue hood to the heat exchanger. Lift out fan/flue hood assembly. Lower and lift out vertical adapter.
- G. Undo the union on the gas service cock outlet.
- H. Unplug the electrical supply leads for the gas control valve from control box. See FIG. 28.
- I. Remove the screw securing the gas control valve to its support bracket. See FIG. 28.
- J. Disconnect the electrode lead from electrode.
- K. Remove two screws securing the burner assembly to the bottom of the boiler case and lift out the burner and gas control assembly.

2. HEAT EXCHANGER

- A. Working from above and below the heat exchanger use a suitable tool and remove all deposits from between the fins.
Slide vertical flue adapter into flue duct.

3. FAN

- A. Separate fan from fluehood by removing the two securing screws.

Carefully clean any deposits from around the fan motor and its supports. Examine the fan wheel and clean if necessary using a soft brush.

Re-assemble fan to fluehood ensuring that the sealing gasket is in place and in good condition. Ensure also that the fan is located correctly in the rear retaining bracket. Secure with two screws.

- B. Refit the fan/fluehood assembly. Ensure that the rope seal is in place and the rear of the fluehood is correctly located beneath the retaining flange. See FIG. 17. Secure with two wing nuts.
- C. Slide flue elbow into the flue duct or lower flue adapter and secure with thumb screws. Ensure that the gasket between fan outlet and elbow or adapter is undamaged and in place.
- D. Reconnect the flexible tubes to elbow or adapter. ENSURE THEY ARE NOT KINKED.

NOTE

Red tube connects front aluminium tube to the lower connection on elbow or adapter each being identified with a red ring.

- E. Reconnect the fan supply and earth leads.

4. PILOT BURNER

The following operations are only necessary if the pilot flame is distorted or the wrong size, ie too small.

- A. Unscrew the pilot tube from the pilot assembly. Take care

- B. Unscrew the two hexagonal head screws securing the pilot to the main burner and remove the pilot assembly.

- C. Lightly brush the pilot to remove any deposits.

Unscrew the pilot injector and clean its orifice or replace.

NOTE

Do not use a wire brush or pin to clean injector.

- D. Gently clean any deposits from the electrode.
- E. Refit the pilot injector to the pilot burner and assemble the pilot to the pilot tube.
- F. Secure the pilot assembly to the main burner using two hexagonal screws.
- G. Fully tighten the union nut connecting the pilot tube to the pilot. Check for gas soundness at this joint by following the procedure described in the commissioning section of these instructions. Page 18.
- H. Ensure that the spark gap is as illustrated in FIG. 29.

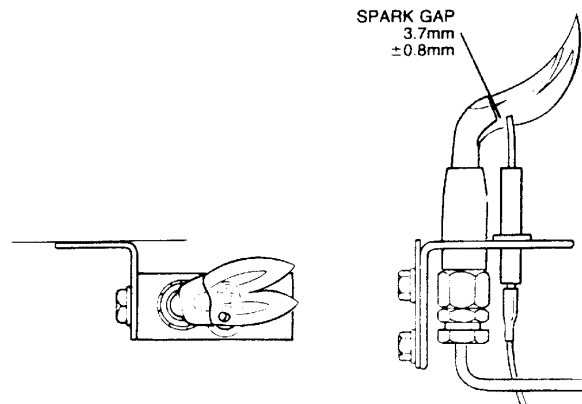


FIG. 29 PILOT BURNER SPARK GAP TOLERANCES

PILOT FILTER

The pilot burner is protected from blockage by a pilot filter situated within the gas control valve. The filter is large and designed to last the life of the gas control valve under normal operating conditions, it is therefore unlikely to need replacing. However in the event of pilot filter blockage being suspected the complete control valve should be replaced.

5. COMBUSTION CHAMBER INSULATION

- A. Check the combustion chamber insulation for damage. If damaged replace as described under replacement.

6. MAIN BURNER

- A. Lightly brush any deposits from the top of each blade and ensure there is no fluff in the entry of the burner venturi. If on re-assembly the burner flame picture is incorrect or the correct gas rate or burner pressure cannot be obtained, remove the burner and gas control assembly and thoroughly clean the burner. Clean or replace the injector. In the event of the above procedures not rectifying the flame appearance, disconnect the burner from the gas control valve at the flanged connection and replace the burner and injector.



- B. Refit the burner and gas control valve assembly into the boiler, ensuring that the locating pin on the rear of burner engages correctly into the rear support bracket. Make sure that the sealing gasket is in place and undamaged between the burner flange and the case. Secure the assembly with two screws.
- C. Refit the screw securing the gas control valve to the support bracket.
- D. Reconnect electrode lead to electrode.
- E. Plug gas control valve supply leads into control box.
- F. Reconnect gas supply at gas service cock and turn on gas.
- G. Refit the combustion chamber front panel.

7. CASE SEAL

Check the case door seal. Replace if damaged. The seal is simply pressed into the channel around the door.

8. RECOMMISSION

Follow the full commissioning procedure as detailed in the COMMISSIONING section of these instructions page 18.

9. OTHER BOILER MOUNTED UNITS

No further servicing is required on any other boiler mounted units. Repair is by replacement.

10. FAULT FINDING

Refer to Fault Finding Chart FIG. 30 and Wiring Diagram FIGS. 26, 27.

REMOVAL/REPLACEMENT OF BOILER MOUNTED UNITS

GAS CONTROL VALVE

This operation is most easily carried out by first removing the burner and gas control valve assembly as follows:-

1. Switch off the external electricity supply by disconnecting the plug at the socket or switching off the external isolating switch.
2. Remove controls cover, case door and combustion chamber front panel as described in 1. 'Preparing the Boiler for Servicing', operations A, B and C.
3. Remove the burner and gas control assembly as described in 1. 'Preparing the Boiler for Servicing', operations G, H, I, J & K.
4. Disconnect the electrical supply wires from the gas control valve noting their position. Refer to FIGS. 26 & 27.
5. Unscrew the union connecting the pilot supply pipe to the gas control valve.
6. Separate the gas control valve from the flanges at the inlet and outlet ports by removing the securing screws.
NOTE: A spacer is used between the valve outlet and the burner flange, requiring the use of two seals at this point. See FIG. 25.
7. Use new seals on reassembly.
8. Replacement is the reverse of removal.
9. Follow the full commissioning procedure as detailed in the COMMISSIONING section of these instructions. Page 18.

MAIN BURNER

1. Switch off the external electricity supply by disconnecting the plug at the socket or switching off the external isolating switch.
2. Remove controls cover, case door and combustion chamber front panel as described in 1. 'Preparing the Boiler for Servicing', operations A, B and C.
3. Remove the burner and gas control assembly as described in 1. 'Preparing the Boiler for Servicing', operations G, H, I, J & K.
4. Unscrew the union nuts connecting the pilot supply pipe to the pilot and gas control valve. Take care not to damage the electrode.
Remove sealing grommet and withdraw the pilot tube through the hole in the burner mounting flange.
5. Separate the burner from the gas control valve at the flanged connection by removing the four securing screws.

NOTE

A spacer is used between the valve outlet and the burner flange, requiring the use of two seals at this point. See FIG. 25.

6. Unscrew the pilot, main burner injector and pressure test nipple from the burner.
7. Use new sealing gaskets on reassembly.
8. Replacement is the reverse of removal.
9. Follow the full commissioning procedure as detailed in the COMMISSIONING section of these instructions. Page 18.

PILOT/IGNITION ELECTRODE

1. Switch off the external electricity supply by disconnecting the plug at the socket or switching off the external isolating switch.
2. Remove controls cover, case door and combustion chamber front panel as described in 1. 'Preparing the Boiler for Servicing', operations A, B and C.
3. Disconnect the electrode lead from electrode.
4. Unscrew the pilot tube from the pilot assembly. Take care not to damage the electrode.
5. Unscrew the two hexagonal head screws securing the pilot to the main burner and remove pilot assembly.
Remove the screw securing the electrode and withdraw electrode.
6. Replacement is the reverse of removal. On reassembly ensure that the spark gap is as illustrated in FIG. 29.
7. Follow the full commissioning procedure as detailed in the COMMISSIONING section of these instructions. Page 18.

COMBUSTION CHAMBER INSULATION

1. Switch off the external electricity supply by disconnecting the plug at the socket or switching off the external isolating switch.
2. Remove controls cover, case door and combustion chamber front panel as described in 1. 'Preparing the Boiler for Servicing', operations A, B and C.

3. Remove main burner as described in 'Preparing the Boiler for Servicing', operations G, H, I, J & K
4. Bend back retaining tabs and replace insulation. It is necessary to first remove the side insulation when replacing the rear.
5. Replacement is the reverse of removal.
6. Follow the full commissioning procedure as detailed in the COMMISSIONING section of these instructions. Page 18.
6. Disconnect the three electrical leads, white wire from terminal No.1 or NC, orange from terminal No.2 or NO and brown from terminal No. 3 or C. Refer to FIGS 26 & 27.
7. Replacement is the reverse of removal. Ensure that the plastic tubes have the coiled springs positioned to prevent the tubes from kinking.
8. Follow the full commissioning procedure as detailed in the COMMISSIONING section of these instructions. Page 18.

FUSE, ELECTRONIC CONTROL, PRESSURE SWITCH, BOILER THERMOSTAT, OVERHEAT THERMOSTAT, PUMP OVERRUN THERMOSTAT

The following initial operations 1-3 are necessary to remove and replace any of the above items.

1. Switch off the external electricity supply by disconnecting the plug at the socket or switching off the external isolating switch.
2. Remove controls cover by opening the door covering the securing screw on the underside of the controls cover see FIG. 13. Undo securing screw, pull controls cover forward 10mm, lower it to release it from its four side fixings and pull forward clear of the thermostat knob.
3. Remove control box securing screw and lower control box.

FUSE 1 amp

4. The fuse is located on the electronic control and can be replaced by lifting it from its holder.
5. Replacement is the reverse of removal. Refer to FIGS. 26 & 27.

ELECTRONIC CONTROL

4. Disconnect six way plug, two way plug and electrode lead from the electronic control. Refer to FIGS. 26 & 27. Disconnect the flying leads of the electronic control as follows:- white wire from terminal C(3) of the control thermostat
white wire from terminal NC (2) of the control thermostat
brown wire from overheating thermostat
blue wire from boiler terminal block connector N
green/yellow wire from earth post
5. Release the control by lifting it from the four retaining lugs.
6. Remove electronic control.
7. Replacement is the reverse of removal.
8. Follow the full commissioning procedure as detailed in the COMMISSIONING section of these instructions. Page 18.

PRESSURE SWITCH

4. Remove the screw securing the pressure switch to the bracket in the control box. Lift pressure switch from bracket.
5. Disconnect the two plastic tubes. NOTE: the red tube is connected to the pressure switch connection identified with a red ring, or adjacent red spot.

OVERHEAT THERMOSTAT

4. Remove door by undoing the two lower fixing screws and lifting door off the two upper hinge brackets.
5. Disconnect the two push on electrical connections from the overheating thermostat terminals.
6. Remove the nut securing the overheating thermostat to its mounting bracket.
7. Noting the route taken by the capillary, remove split pin retaining the thermostat bulb and withdraw bulb from its pocket. Remove the split grommet in the base of the boiler, feed the thermostat capillary and bulb through the hole.
8. Replacement is the reverse of removal. Ensure the rubber grommet in the base of the boiler makes a good seal around the capillary. Ensure that the capillary is secure in the clips provided. Refer to FIG. 2. The bulb of the new thermostat should be coated with heat conducting paste.
9. Follow the full commissioning procedure as detailed in the COMMISSIONING section of these instructions. Page 18.

BOILER THERMOSTAT

4. Remove door by undoing the two lower fixing screws and lifting door off the two upper hinge brackets.
5. Disconnect the electrical connections as follows:- White from terminal C(3). White from NC(2)
Refer to FIGS. 26 & 27.
6. Pull off the outer thermostat knob.
7. Remove inner thermostat post by undoing the two securing screws.
8. Remove the nut securing the thermostat to the control box.
9. Remove the clip securing the thermostat bulb to the flow pipe.
10. Remove the split grommet in the base of the boiler. Feed the capillary and bulb through the holes. Replacement is the reverse of removal. The bulb of the new thermostat should be coated with heat conducting paste. Ensure the rubber grommets in the base of the boiler make a good seal around the capillary. Ensure that the capillary is secure in the clips provided. Follow the full commissioning procedure as detailed in the COMMISSIONING section of these instructions. Page 18.

PUMP OVER-RUN THERMOSTAT

4. Remove door by undoing the lower fixing screws and lifting door off the two upper hinge brackets.
5. Disconnect the electrical connections as follows:-
 - 1 red wire from terminal NO(4)
 - 2 brown wires from terminal NC(2)
 - 1 black wire from terminal C(3)
6. Remove the screw securing the thermostat to the control box.
7. Remove the clip securing the thermostat bulb to the flow pipe.
8. Remove the split grommet in the base of the boiler. Feed the capillary and bulb through the hole.
9. Replacement is the reverse of removal. The bulb of the new thermostat should be coated with heat conducting paste. Ensure the rubber grommet makes a good seal around the capillary.
10. Ensure that the capillary is secure in the clips provided. Follow the full commissioning procedure as detailed in the COMMISSIONING section of these instructions. Page 18.

SIGHT GLASS

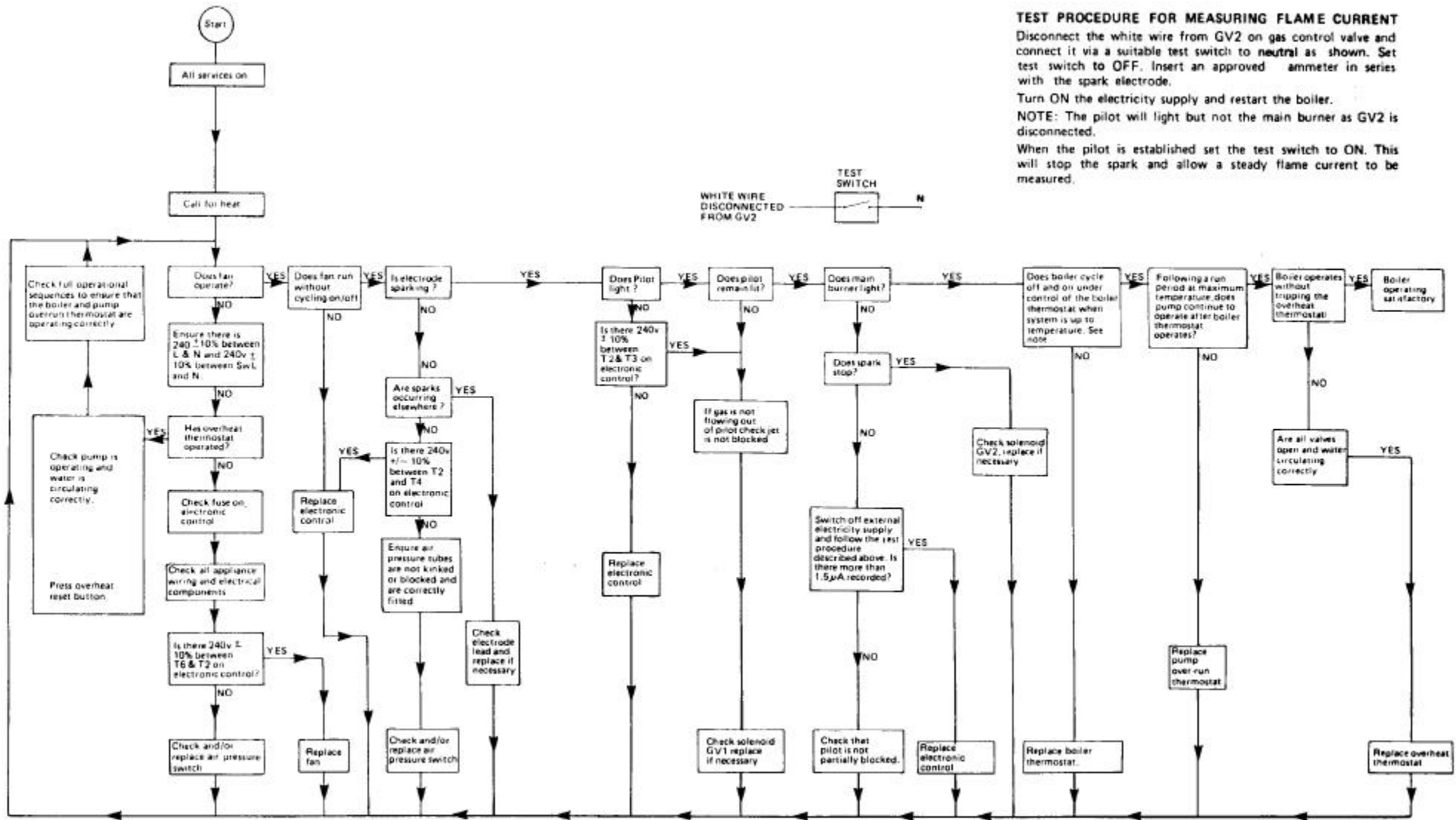
WARNING: GREAT CARE SHOULD BE TAKEN WHEN HANDLING AND DISPOSING OF A BROKEN SIGHT GLASS.

3. Remove door by undoing the lower fixing screws and lift door off the two upper hinge brackets.
4. Remove three M4 nuts from sight glass retainer and remove sight glass assembly. **See above.**

5. Replacement is the reverse of removal. Taking care that the clear circle in the sight glass lines up viewing hole in combustion chamber door. NOTE new gaskets must be used when sight glass is fitted.

FAN

1. Switch off the external electricity supply by disconnecting the plug at the socket or switching off the external isolating switch.
 2. Remove controls cover and case door as described in 1. 'Preparing the Boiler for Servicing', Operations A and B.
 3. Disconnect the two flexible tubes from the flue elbow.
 4. Remove thumb screw securing the flue elbow and withdraw elbow. Take care not to damage the gasket. On vertically flued boilers remove two thumb screws and slide the vertical flue adapter up into the flue duct.
 5. Disconnect the fan supply and earth leads from the connector adjacent to the fan.
 6. Separate fan from fluehood by removing the two securing screws.
 7. Replacement is the reverse of removal. Ensure on reassembly that the fan is correctly located in the rear retaining bracket.
 8. Follow the full commissioning procedure as detailed in the COMMISSIONING section of these instructions. Page 18.
-



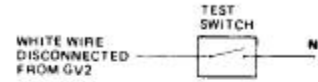
TEST PROCEDURE FOR MEASURING FLAME CURRENT

Disconnect the white wire from GV2 on gas control valve and connect it via a suitable test switch to neutral as shown. Set test switch to OFF. Insert an approved ammeter in series with the spark electrode.

Turn ON the electricity supply and restart the boiler.

NOTE: The pilot will light but not the main burner as GV2 is disconnected.

When the pilot is established set the test switch to ON. This will stop the spark and allow a steady flame current to be measured.

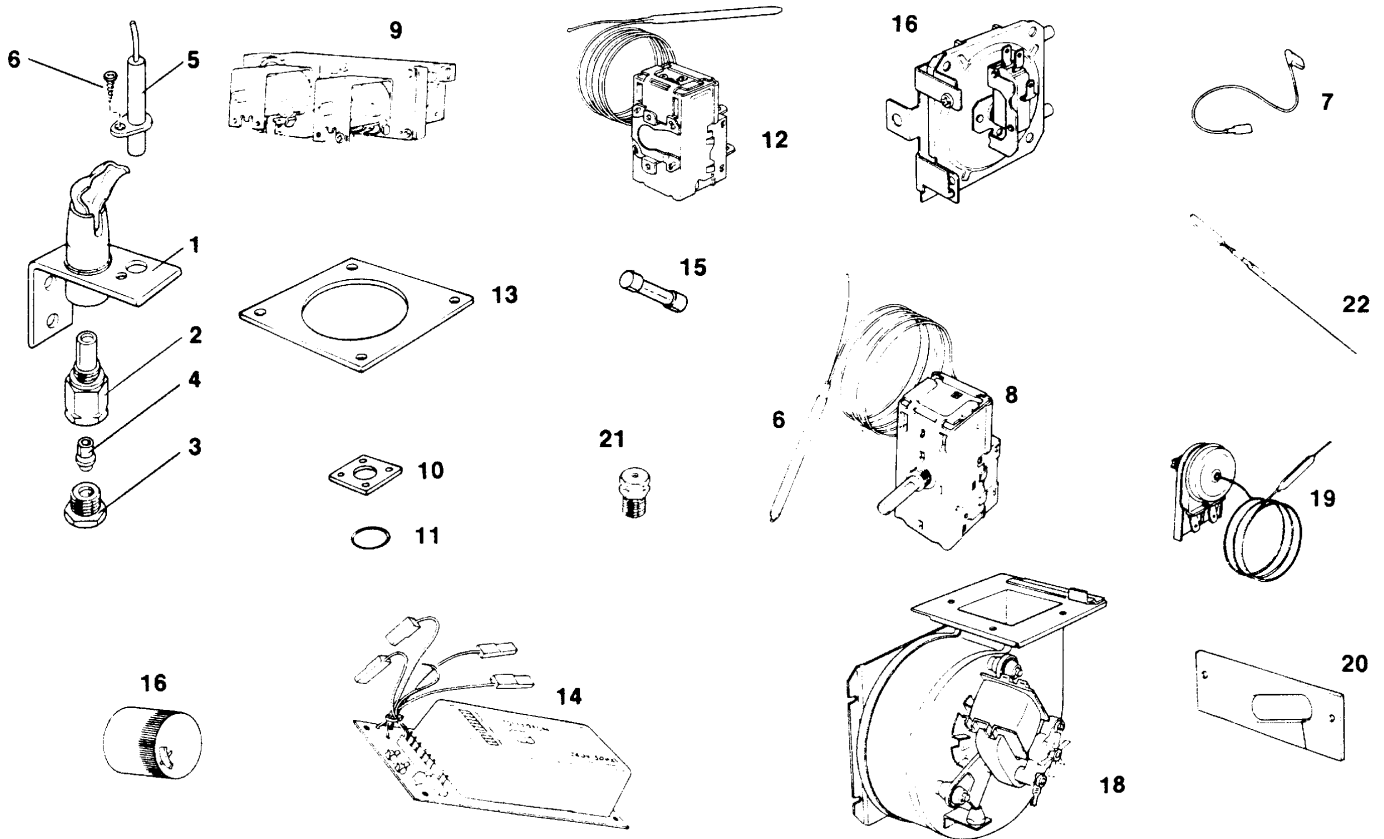


3. 30 FAULT FINDING CHART

SHORT PARTS LIST
KEY No.

P.I.L
Part No.

1	Pilot and Electrode Assembly including items 2-6	402967
2	Pilot Injector	402968
3	Compression Nut	625934
4	Olive	625936
5	Electrode	407721
6	Screw	612351
7	Electrode Lead	407692
8	Control Thermostat K36 L1014	907729
9	Gas Control Valve - Honeywell	402911
10	Gas Manifold Gasket	212105
11	Gas Manifold 'O' Ring	401637
12	Pump Over-Run Thermostat K36 P2302	404507
13	Flue Elbow Sealing Gasket	225091
14	Electronic Control	407677
15	Fuse (1 amp) T1A	907604
16	Thermostat Knob	213076
17	Pressure Switch - Honeywell C6065A1192	642220
18	Fan Assembly - SEL (c.w. Gasket)	909001
19	Overheat Thermostat LM7 P8503	404495
20	Main Burner Gasket	212085
21	2.2mm Injector - Main Burner 50e Boiler	410971
	2.4mm Injector - Main Burner 60e Boiler	410976
	2.7mm Injector - Main Burner 80e Boiler	410987
	3.0mm Injector - Main Burner 100e Boiler	410981
22	Flue Scraper	907736



INSTALLER AND SERVICE ENGINEER - Page 28

Under the Consumer Protection Act 1987 and section 6 of the Health and Safety at Work Act 1974, we are required to provide information on substances hazardous to health.

Small quantities of adhesives and sealants used in the product are cured and present no known hazards.

The following substances are also present.

Insulation & Seals

Material	- Ceramic Fibre; Alumino - Silicone Fibre
Description	- Boards, Ropes, Gaskets
Known Hazards	- Some people can suffer reddening and itching of the skin. Fibre entry into the eye will cause foreign body irritation. Irritation to respiratory tract.
Precautions	- People with a history of skin complaints may be particularly susceptible to irritation. High dust levels are only likely to arise following harsh abrasion. In general, normal handling and use will not present discomfort, follow good hygiene practices, wash hands before consuming food, drinking or using the toilet.
First Aid	- Medical attention must be sought following eye contact or prolonged reddening of the skin.

Thermostat

Material	- Contains very small quantity of xylene.
Description	- Sealed phial and capillary containing liquid.
Known Hazards	- Irritating to skin, eyes and throat. Vapour is harmful. Inflammable - do not extinguish with water.
Precautions	- Do not incinerate. Avoid contact with broken/leaking phials. Do not purposely puncture.
First Aid	- Eye/skin contact, wash with clean water, seek medical attention.

Back Page