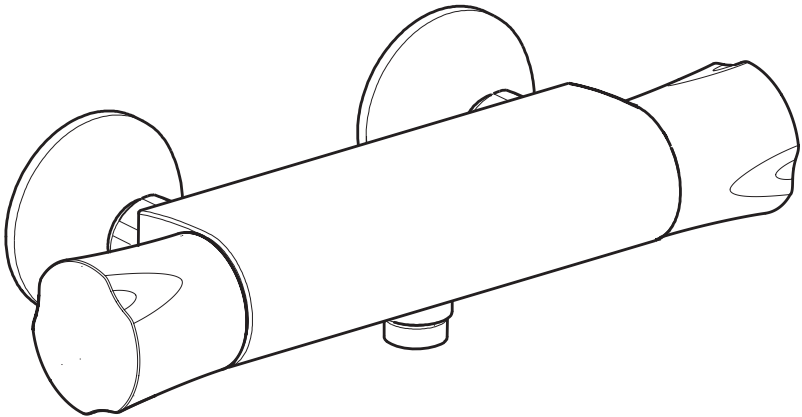


mira
Discovery



THERMOSTATIC

BAR VALVE

Installation and User Guide

These instructions are to be left with the user

CONTENTS

Introduction	3
Patents	3
Safety : Warnings	4
Pack Contents	5
Dimensions	5
Specifications	6
Installation	7
General.....	7
Solid Wall Installation	8
Stud Partition, Laminated Panel, or Unfixed Rear-entry Pipework Installation.....	9
Operation	11
Adjusting the Temperature	11
Adjusting the Flow	11
Commissioning	12
Setting the Maximum Temperature	12
Fault Diagnosis	13
Maintenance	14
Type 2 Valves	17
Spare Parts	18
Notes	19
Customer Service	Back Page

INTRODUCTION

Thank you for purchasing a quality Mira product. To enjoy the full potential of your new product, please take time to read this guide thoroughly, having done so, keep it handy for future reference.

The Mira Discovery Thermostatic Bar Valve is a Thermostatic Shower Control designed for wall mount installations.

The Thermostatic Bar Valve has two knobs, one knob controls the flow and the other knob controls the temperature.

The Thermostatic Bar Valve incorporates a wax capsule temperature sensing unit, which provides an almost immediate response to changes in pressures or temperature of the incoming water supplies to maintain the selected temperature. An adjustable maximum temperature stop is provided which limits the temperature to a safe level. Inlet Filters are fitted to protect the thermostatic cartridge.

This product has been certified as a Type 2 valve under the BUILDCERT TMV2 scheme. This product also complies with the Water Supply (water fittings) Regulations 1999.

Patents

Patents	GB	2 407 138
---------	----	-----------

If you experience any difficulty with the installation or operation of your new Thermostatic Mixer, please refer to '**Fault Diagnosis**', before contacting Kohler Mira Ltd. Our telephone and fax numbers can be found on the back cover of this guide.

SAFETY : WARNINGS

This Mira Discovery Thermostatic Bar Valve is precision engineered and should give continued safe and controlled performance, provided:

1. It is installed, commissioned, operated and maintained in accordance with manufacturers recommendations.
2. Periodic attention is given, when necessary, to maintain the product in good functional order.

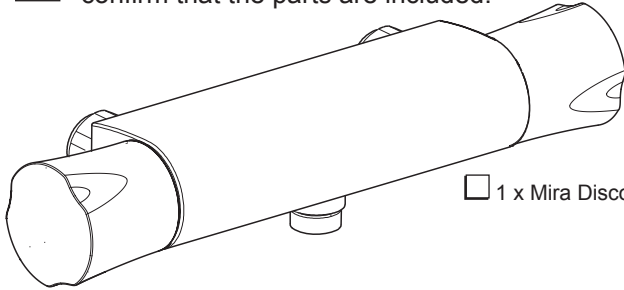
Caution!

1. Read all of these instructions.
2. Retain this guide for later use.
3. Pass on this guide in the event of change of ownership of the installation site.
4. Follow all warnings, cautions and instructions contained in this guide.
5. Anyone who may have difficulty understanding or operating the controls of any shower should be attended whilst showering. Particular consideration should be given to the young, the elderly, the infirm or anyone inexperienced in the correct operation of the controls.
6. When this product has reached the end of its serviceable life, it should be disposed of in a safe manner, in accordance with current local authority recycling, or waste disposal policy.

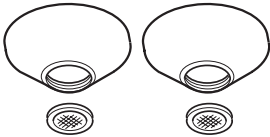
PACK CONTENTS



Tick the appropriate boxes to familiarise yourself with the part names and to confirm that the parts are included.

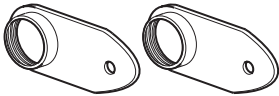


1 x Mira Discovery Bar Valve

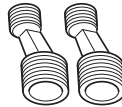


2 x Concealing Plates

2 x Inlet Seals / Filters



2 x Wall Mounting Brackets

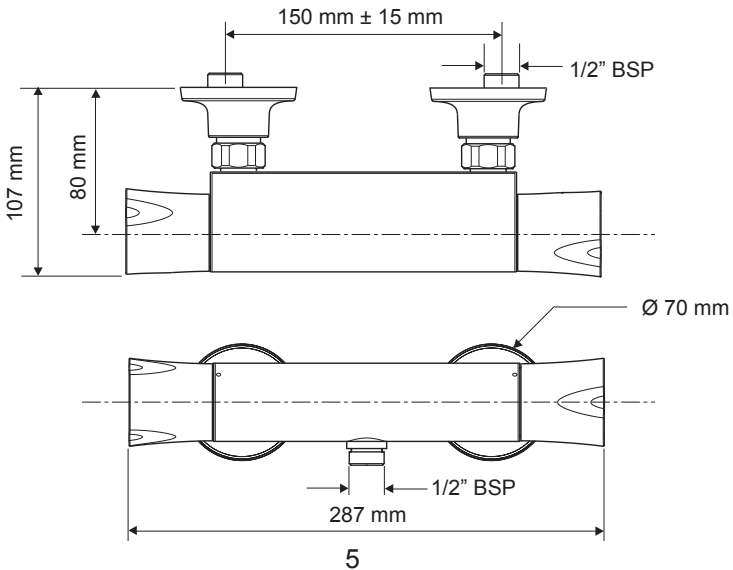


2 x Offset Connectors

Documentation

1 x Guarantee Brochure

DIMENSIONS



SPECIFICATIONS

For Type 2 Valves, the supply conditions specified in section: '**Type 2 Valves - Application**' take precedence over the operating parameters which follow.

Pressure Range

- Minimum maintained pressure: 0.2 bar (2.0 metre head).
- Maximum maintained pressure: 5.0 bar.
- Maximum static pressure: 10 bar.

Note! Nominally equal inlet supply pressure are recommended for optimum performance.

Temperature Control

- Close temperature control is provided between **20°C and 50°C**.

Note! The temperature control specification, outlined below, is achieved with the blend between **35°C and 45°C**, and supply temperatures of **15°C** cold and **65°C** hot, **AND**, nominally equal inlet supply pressures.

- The blended temperature is maintained within **2°C with a 10°C** change in the hot or cold supply.
- The wax capsule sensor effects a shut down to seepage in approximately 2 seconds if the cold supply fails. Shut down to seepage is only achieved if the hot supply is **10°C** above the blend temperature.
- Minimum hot water supply temperature: **55°C**
- Maximum hot water supply temperature: **90°C** for short periods.
- BS 6700 recommends that the temperature of stored water should never exceed **65°C**. A stored water temperature of **60°C** is considered sufficient to meet all normal requirements and will minimise the deposition of scale in hard water areas.

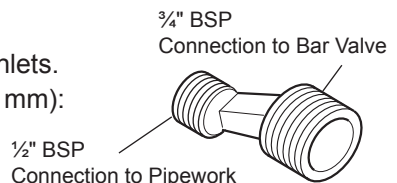
Connections

Connections are:

- **Hot - Left** (side nearest flow control), 1/2" BSP Male.
- **Cold - Right** (side nearest temperature control), 1/2" BSP Male.
- **Bottom-Outlet**, 1/2" BSP Male.

Note! This product does not allow for reversed inlets.

Offset connector (inlet centres are 150 mm ± 24 mm):



INSTALLATION

General

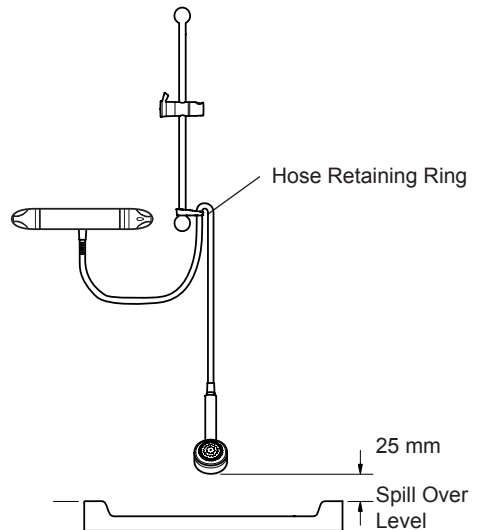
Installation must be carried out in accordance with these instructions, and must be conducted by designated, qualified and competent personnel.

The installation must comply with the “Water Supply Regulations 1999 (Water Fittings)” or any particular regulations and practices, specified by the local water company or water undertakers.

Note! Make sure that all site requirements correspond to the information given in section: ‘**Specifications**’. For Type 2 Valves see also supply conditions in section: ‘**Type 2 Valves**’.

1. The Bar Valve must not be installed in an area where it may freeze.
2. For stud partitions alternative fixings may be required.
3. Isolating valves must be installed close to the Bar Valve for ease of maintenance.
4. Pipework must be rigidly supported and avoid any strain on the connections.
5. Pipework dead-legs should be kept to a minimum.
6. Supply pipework layout should be arranged to minimise the effect of other outlet usage upon the dynamic pressures at the Mixer inlets.
7. Inlet and outlet threaded joint connections should be made with PTFE tape or liquid sealant. Do not use oil-based, non-setting joint compounds.
8. To eliminate pipe debris it is essential that supply pipes are thoroughly flushed through before final connection.
9. Decide on a suitable position for the Bar Valve. The position of the Bar Valve and the Shower Fittings must provide a minimum gap of 25 mm between the spill-over level of the shower tray/bath and the handset.

Note! Only use Shower Fittings recommended by the manufacturer or supplier.

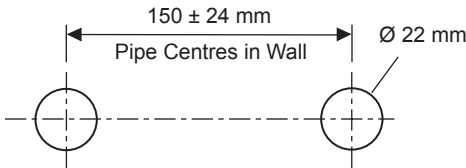


Solid Wall Installation

For Solid Wall installations the Thermostatic Bar Valve can be supported by the pipework provided that it is securely fixed to the wall. Alternatively for unfixed rear entry pipework the Wall Mounting Bracket can be used.

For installation onto a Stud Partition, Laminated Panel, or onto Unfixed Rear-entry Pipework (using the Wall Mounting Bracket) refer to section: **'Stud Partition, Laminated Panel, or Unfixed Rear-entry Pipework Installation'**.

1. Install the pipework, make sure that it is set at the correct distance apart (150 ± 24 mm) and solidly fixed as this supports the valve.



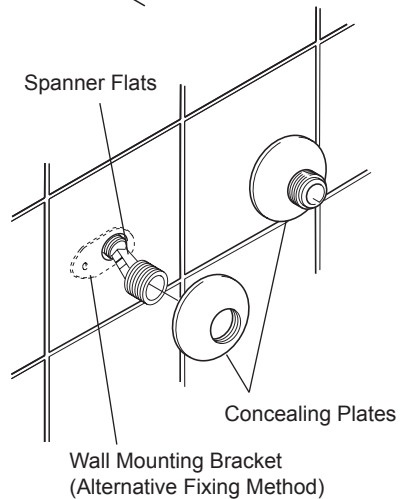
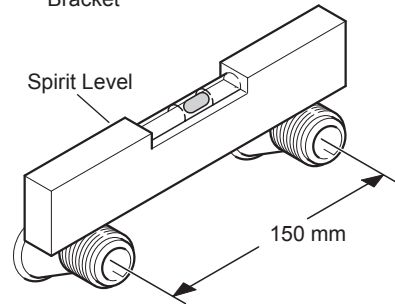
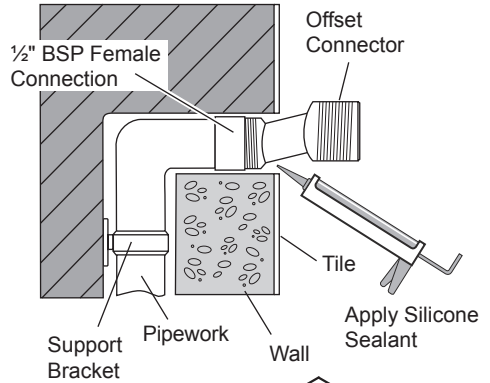
2. Apply suitable thread sealant (not supplied) and attach the Offset Connectors to the pipework in the wall.

Note! Connections are: **Hot-Left, Cold-Right, Bottom-Outlet.**

3. Tighten the Offset Connectors using a spanner on the spanner flats. Make sure that the Connectors are level and set at the correct distance apart, using the Bar Valve as a guide to spacing.

4. Screw the Concealing Plates onto the Offset Connectors until they come into contact with the wall.

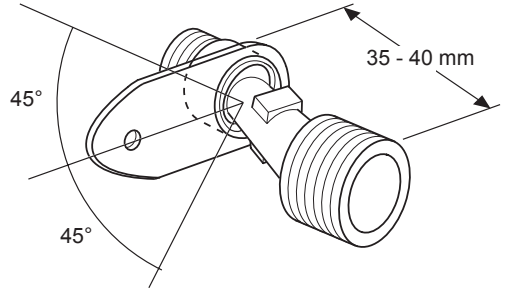
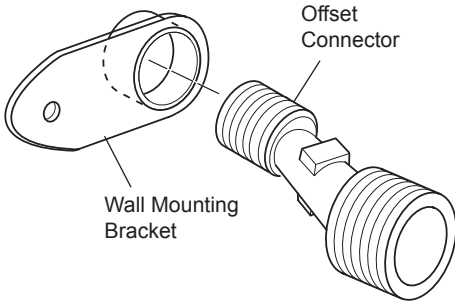
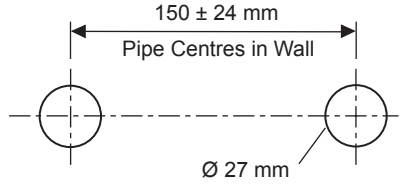
5. Install the Bar Valve, refer to section: **'Stud Partition, Laminated Panel, or Unfixed Rear-entry Pipework Installation'** and follow instructions 9 to 12.



Stud Partition, Laminated Panel, or Unfixed Rear-entry Pipework Installation

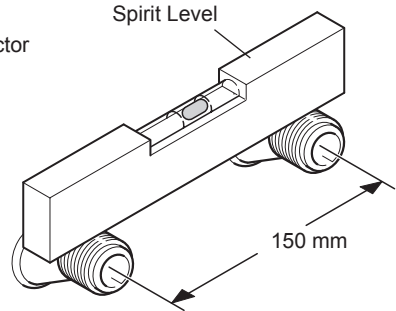
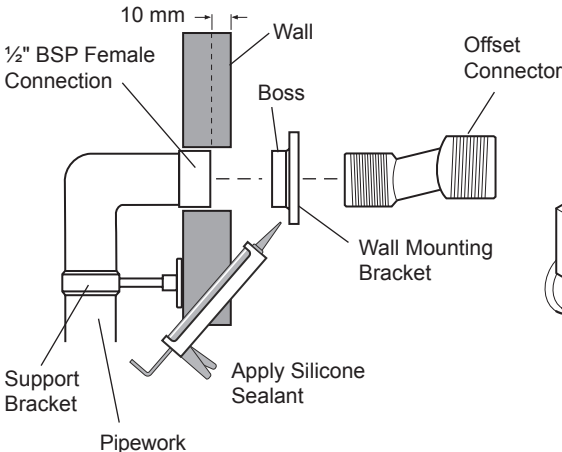
For all installations using the Wall Mounting Bracket:

1. Install the pipework, make sure that it is set at the correct distance apart (150 ± 24 mm) and solidly fixed.
2. Screw the Mounting Brackets onto the Offset Connectors to the depth shown in the illustration.
3. The Mounting Bracket must extend in the same direction as the offset of the Offset Connector. The angle between the Offset Connector and the Mounting Bracket must be less than 45° , otherwise the Mounting Bracket will not fit under the Concealing Plate.

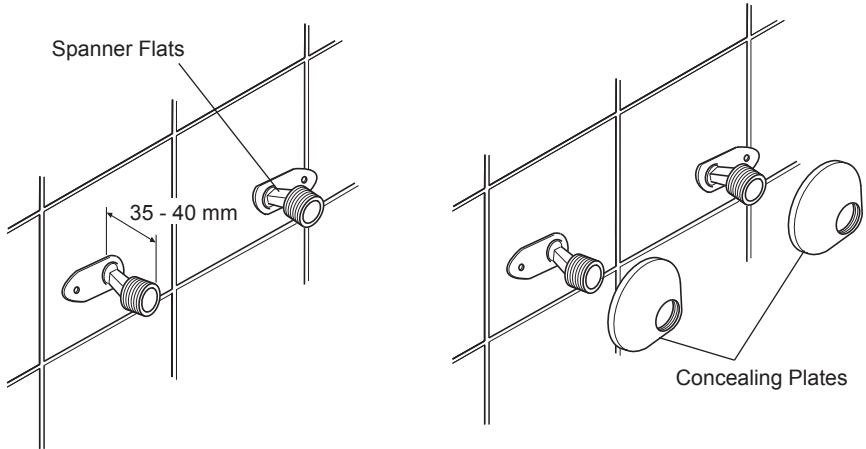


4. The Mounting Bracket Boss should protrude to the rear, facing the wall.
5. Apply suitable thread sealant (not supplied) and attach the Offset Connectors to the pipework in the wall.

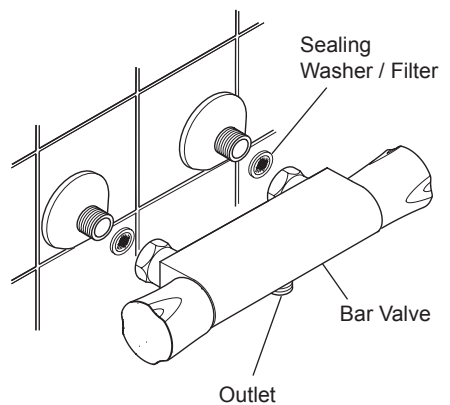
Note! Connections are: **Hot-Left, Cold-Right, Bottom-Outlet.**



6. Tighten the Offset Connectors using a spanner on the spanner flats. Make sure that the Connectors are level and set at the correct distance apart, using the Bar Valve as a guide to spacing.
 7. Fix the Mounting Bracket to the wall through the small hole, using the appropriate wall fixings for the type of wall (not supplied).
- Caution!** Take care not to drill through any concealed pipework.
8. Screw the Concealing Plates onto the Offset Connectors until they come into contact with the wall.



9. **Caution!** Make sure that the supply pipework is flushed before installing the Bar Valve.
Assemble the Bar Valve with a Sealing Washer / Filter in each inlet and attach to the Offset Connectors.
10. Tighten the connection using a 20 mm spanner.
11. Install the Shower Fittings, refer to the Shower Fittings Installation and User Guide.
12. Turn on the water supplies and check for leaks at all pipe connections.



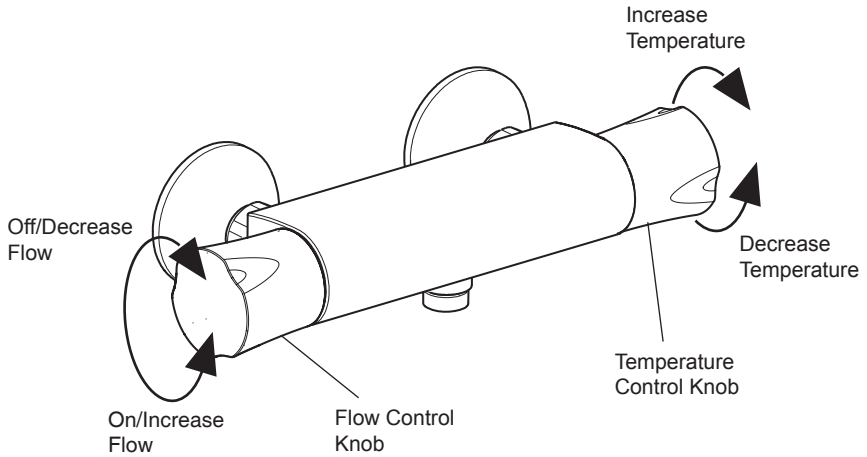
OPERATION

Adjusting the Temperature

The temperature is controlled by rotating the temperature control knob on the right side of the shower.

Adjusting the Flow

The flow is controlled by rotating the flow control knob on the left side of the shower.



COMMISSIONING

Setting the Maximum Temperature

The Mira Discovery Thermostatic Bar Valve has been preset to a safe showering temperature under ideal conditions at the factory, appropriate for most systems. However, site conditions and personal preference may make it necessary to reset this temperature.

Caution! Before testing the mixer, make sure that the hot and cold water are flowing correctly by turning the temperature selector knob between the cold and hot stops.

For Type 2 installations the maximum blend temperature is determined by the application, refer to section: '**Type 2 Valves - Application**'.

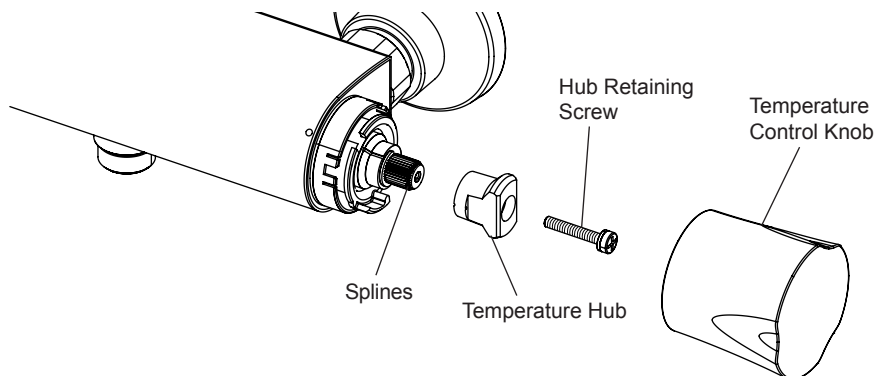
1. Turn on the shower.
2. Turn the temperature selector knob to full hot and test the temperature of the water from the shower outlet. If the water is not at the required temperature, proceed with the following procedure.
3. Turn off the shower.
4. Carefully pull off the temperature control knob.

Note! Force will be required to pull the temperature control knob from the shower.

5. Unscrew the hub retaining screw.
6. Remove the temperature hub and replace it one spline clockwise to increase the temperature.

Note! One spline clockwise equals approximately, 2°C increase in temperature.

7. Tighten the hub retaining screw.
8. Install the temperature knob. Make sure that the stop feature inside the knob is towards the top.
9. Turn on the shower and check the maximum temperature setting. If further adjustment is required repeat the above procedure.



FAULT DIAGNOSIS

Symptom	Cause / Rectification
1. Only hot or cold water from mixer outlet.	<ul style="list-style-type: none"> a. Inlet supplies reversed / change pipework. b. Faulty Non-Return Valve. c. Check that the Inlet Filters are not blocked.
2. Fluctuating or reduced flow.	<ul style="list-style-type: none"> a. Check that the Inlet Filters are not blocked. b. Make sure that the minimum flow rate is sufficient for the supply conditions. c. Make sure that the maintained inlet pressures are nominally balanced and sufficient. d. Make sure that the inlet temperature differentials are sufficient. e. Airlock or partial blockage in pipework.
3. No flow from mixer outlet.	<ul style="list-style-type: none"> a. Make sure that the Inlet Isolating Valves are open. b. Hot or cold supply failure. Make sure that hot and cold supplies are available. c. Refer to symptom 2.
4. Blend temperature drift.	<ul style="list-style-type: none"> a. Inlet supplies reversed. b. Hot supply temperature fluctuation. c. Supply pressures fluctuating. d. Thermal Cartridge defective. e. Inlet Filters Blocked.
5. Maximum blend temperature setting too hot or too cold.	<ul style="list-style-type: none"> a. Indicates incorrect maximum temperature setting, refer section: 'Commissioning'. b. Refer to symptom 4.
6. Drip from handset.	<ul style="list-style-type: none"> a. A small amount of water may be retained in the fitting after the shower control has been turned off. This may drain over a few minutes. This is quite normal. Changing the angle of the shower fitting may vary the draining time. b. Defective ceramic plates within the shower cartridge. c. Renew the cartridge assembly.

MAINTENANCE

General

This Product is precision engineered and should give continued safe and controlled performance, provided:

1. It is installed, commissioned, operated and maintained in accordance with manufacturers recommendations.
2. Periodic attention is given, when necessary, to maintain the product in good functional order.

If you require a Mira trained engineer or agent, refer to section: '**Customer service**'.

Lubricants

Silicone based lubricants must only be used on the rubber seals.

Caution! Oil based or other lubricant types may cause rapid deterioration of seals.

Cleaning

The chrome plated parts should be cleaned using a mild washing up detergent or soap solution, rinsed and then wiped dry with a soft cloth.

Warning! Many household cleaners contain abrasive and chemical substances, and should not be used for cleaning plated or plastic fittings.

Do not use descalents on this product.

In-service Tests

The principal means for determining the continuing satisfactory performance of the mixing valve is the in-service test.

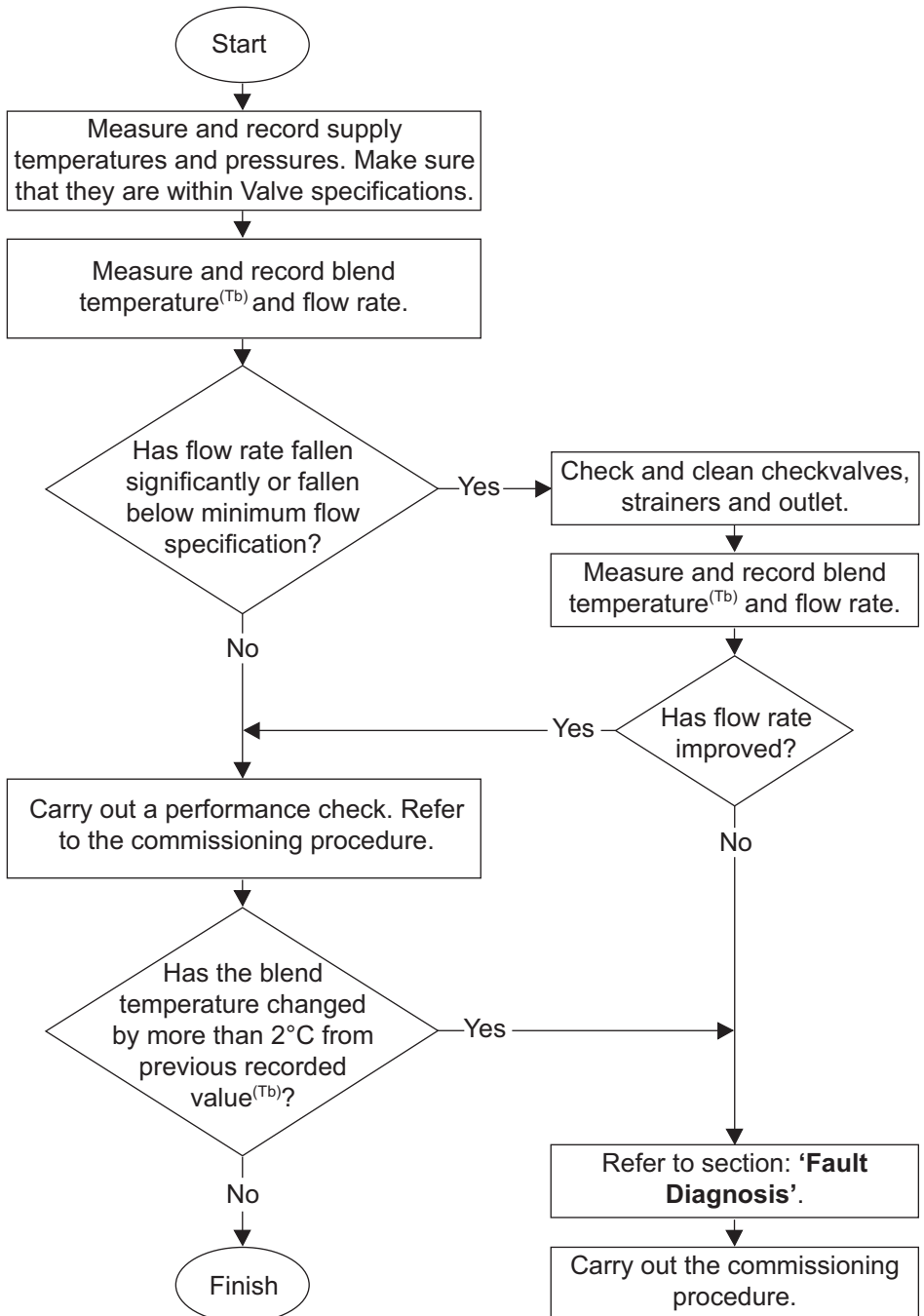
Follow the procedure detailed in the flow diagram "In-service Test Procedure".

Frequency of In-service Tests

Commercial (non-domestic installations)

Check for correct blend setting every 6 months.

Follow the procedure detailed in the flow diagram "In-service Test Procedure", every 12 months.



Note! All measurements and results should be recorded in the Log Book.

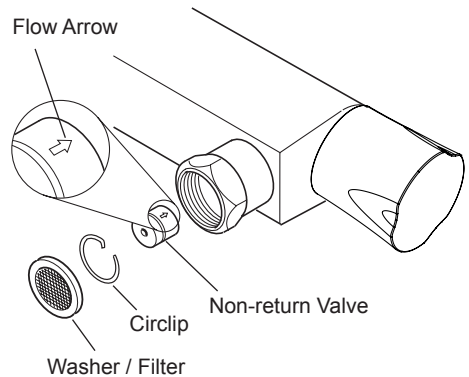
Flow Diagram, In-service Test Procedure

Maintaining the Non-Return Valves

The Non-Return Valves are located in the Bar Valve Body, and are accessible through the Inlet Connectors.

Caution! Make sure that the Non-Return Valves are installed correctly to prevent crossflow or malfunction of the Valve.

1. With the water supplies turned off and the Thermostatic Bar Valve removed, remove the Washer / Filter, and the Circlip
2. Carefully remove the Non-Return Valve and clean any debris.
3. On re assembly make sure that the Non-Return Valve is fitted the correct way round (with the arrow indicating the flow pointing towards the Valve).



Filters

The Inlet Washers / Filters are located in the Inlet Connector. Clean or renew as necessary.

Thermostatic Cartridge

In hard water areas the Filters in the Thermostatic Cartridge may become blocked with limescale, which will reduce the flow of water. It is recommended that the Cartridges are checked regularly and cleaned in a descaling solution (such as kettle descalent) if necessary. Be sure to follow the manufacturer's instructions on the descalent package.

Note! The Thermostatic Cartridge is non-servicable and will require replacement should failure occur.

TYPE 2 VALVES

Application

The approved designations for Type 2 Valves are as follows:

Model	Designation
Mira Discovery Bar Valve	HP-S

The permitted application details are:

Designation	Operating Pressure Range	Application	Mixed Water Temperature [†] °C
HP-S	Low Pressure	Shower	41°C Maximum

[†] Mixed water temperature at discharge point.

Important! For TMV2 installations the mixed water temperature at the discharge point should never exceed 46°C.

In order to achieve the safe water temperatures expected of a Type 2 Valve it is essential that the valve is used only for the applications covered by its approved designations, with the appropriate water supply pressures and temperatures, and it is commissioned, maintained and serviced in accordance with the recommendations contained in this guide (refer to the section '**Maintenance, In-Service Tests**' for in service test frequency that must be used as a minimum guide in Type 2 installations).

Supply Conditions

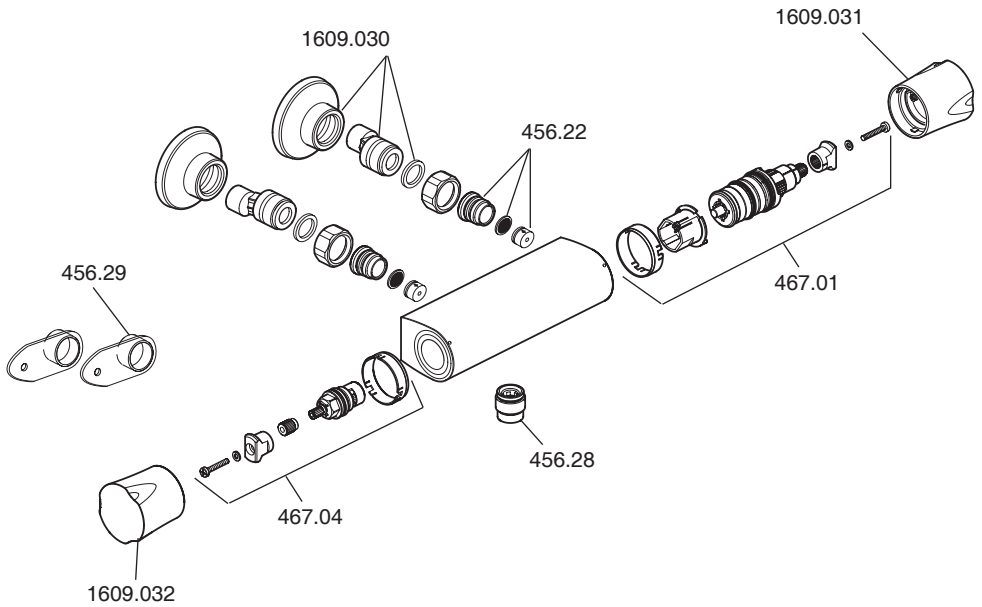
For applications where a Type 2 Valve is required, the supply conditions must comply with the values in the Table below. Note that both hot and cold supply pressures must lie within the same pressure range.

Operating Pressure Range	High Pressure	Low Pressure
Maximum Static Pressure (bar)	10	10
Maintained Pressure, Hot and Cold (bar)	1 to 5	0.2 to 1
Hot Supply Temperature (°C)	55 to 65	55 to 65
Cold Supply Temperature (°C)	≤ 25	≤ 25

Valves operating outside these conditions cannot be guaranteed to operate as Type 2 Valves.

SPARE PARTS

- 456.22 Non Return Valve Assembly
- 456.28 Outlet Connector
- 456.29 Wall Mounting Bracket
- 467.01 Thermostatic Cartridge Assembly
- 467.04 Flow Cartridge Assembly
- 1609.030 Offset Connector Kit
- 1609.031 Temperature Knob
- 1609.032 Flow Knob



NOTES

CUSTOMER SERVICE

Guarantee of Quality

Mira Showers guarantee your product against any defect in materials or workmanship for the period shown in the Guarantee Registration Document included with your shower.

Alternatively, to confirm the applicable guarantee period please contact Customer Services.

To validate the guarantee, please return your completed registration card.

Within the guarantee period we will resolve defects, free of charge, by repairing or replacing parts or modules as we may choose.

To be free of charge, service work must only be undertaken by Mira Showers or our approved agents.

Service under this guarantee does not affect the expiry date.

The guarantee on any exchanged parts or product ends when the normal product guarantee period expires.

Not covered by this guarantee:

Damage or defects arising from incorrect installation, improper use or lack of maintenance, including build-up of limescale.

Damage or defects if the product is taken apart, repaired or modified by any persons not authorised by Mira Showers or our approved agents.

This guarantee is in addition to your statutory and other legal rights.

Before using your Shower

Please take the time to read and understand the operating and safety instructions detailed in this manual.

What to do if something goes wrong

If when you first use your shower it doesn't function correctly, first contact your installer to check that installation and commissioning are satisfactory and in accordance with the instructions in this manual. We are on hand to offer you or your installer any advice you may need.

Should this not resolve the difficulty, simply contact our Customer Services Team who will give every assistance and, if necessary, arrange for our service engineer to visit. If the performance of your shower declines, consult this manual to see whether simple home maintenance is required. Please call our Customer Services Team to talk the difficulty through, request a service under guarantee if applicable, or take advantage of our comprehensive After-Sales service.

As part of our quality and training programme calls may be recorded or monitored.

Our Customer Services Team is comprehensively trained to provide every assistance you may need: help and advice, spare parts or a service visit.

Mira Showers

Kohler Mira Limited
Cromwell Road,
Cheltenham, GL52 5EP

Mira is a registered trade mark of
Kohler Mira Limited.

The company reserves the right to alter
product specifications without notice.

www.mirashowers.com

Spare Parts

We maintain an extensive stock of spares and aim to provide support throughout the product's expected life.

Spares can be purchased from approved stockists or merchants (locations on request) or direct from Customer Services.

Spares direct will normally be despatched within two working days. Payment can be made by Visa or MasterCard at the time of ordering. Should payment by cheque be preferred, a pro-forma invoice will be sent.

All spares are guaranteed for 12 months from the date of purchase. Spares that have been supplied directly from us can be returned within one month from the date of purchase providing that they are in good order and the packaging unopened.

Note! Returned spares will be subject to a 15% restocking charge and authorisation must be obtained before return, contact our Customer Services Team.

Note! In the interests of safety, spares requiring exposure to mains voltages can only be sent to competent persons.

Service

Our Service Force is available to provide a quality service at a reasonable cost. You will have the assurance of a Mira trained engineer/agent, genuine Mira spare parts and a 12 month guarantee on the repair.

Payment should be made directly to the engineer/agent using Visa, MasterCard or a cheque supported by a banker's card.

To Contact Us

England, Scotland, Wales & Northern Ireland

Mira Showers Customer Services

Telephone: 0870 241 0888, Mon to Fri 8:00 am - 5:30 pm
Sat 8:30 am - 3:30 pm

E-mail: technical@mirashowers.com

Fax: 01242 282595

By Post: Cromwell Road, Cheltenham,
Gloucestershire, GL52 5EP

Republic of Ireland (Eire)

Modern Plant Ltd (Dublin)

Telephone: 01 459 1344, Mon to Fri 9:00 am - 5:00 pm

E-mail: sales@modernplant.ie

Fax: Dublin 01 459 2329

Post: Otter House, Naas Road,
Clondalkin, Dublin 22

Modern Plant (Cork)

Telephone: 021 496 8755, Mon to Fri 9:00 am - 5:00 pm

E-mail: cork@modernplant.ie

Fax: 021 496 8607

Post: Tramore Road, Cork



PM 14648

mira
SHOWERS