

RF ELECTRONIC PROGRAMMABLE ROOM THERMOSTAT, 7 DAY FITTING INSTRUCTIONS

This Timer is suitable for installation on the following products:

Logic Combi 24.....	G.C. No. 47-348-56	Logic + Combi 35	G.C. No. 47-348-67
Logic Combi 30.....	G.C. No. 47-348-57	Logic Code Combi 26	G.C. No. 47-348-74
Logic Combi 35.....	G.C. No. 47-348-58	Logic Code Combi 33	G.C. No. 47-348-75
Logic + Combi 24	G.C. No. 47-348-65	Logic Code Combi 38	G.C. No. 47-348-76
Logic + Combi 30	G.C. No. 47-348-66		

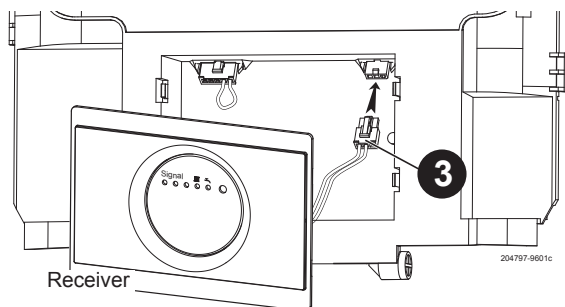


ALWAYS switch off and disconnect the electricity supply to the appliance before installing the Receiver/Programmer. Merely switching the boiler OFF/SUMMER/WINTER/RESET switch to 'OFF' will still leave a live feed to the boiler.

Note. The receiver and room thermostat must be installed as a matched pair. If one is replaced, the other must be replaced.

INSTALLING THE RECEIVER

1. Remove the boiler front panel. (Refer to Installation & Servicing Instructions).
2. Pull out the blanking plate and discard.
3. Connect the electrical plug as shown.
4. Push fit receiver into housing.
5. Remove link wire between room stat/timer terminals on the 7-way installer wiring connection. (Refer to Internal Wiring Frame in Installation & Servicing Instructions)
6. Replace the front panel ensuring a good seal is made.
7. Power up the boiler.



INSTALLING THE RF ELECTRONIC PROGRAMMABLE ROOM THERMOSTAT

1. Select a suitable position for the room thermostat by considering the following:
 - The maximum distance between room thermostat/programmer and boiler is 20m depending on obstructions.
 - The room thermostat should be 1.5m high on a wall located in the space to be heated. Avoid location affected by draughts created by windows/doors, or heating effects created by independent heaters. It is advisable to not have TRV's fitted on radiators in the same room space.
 - Between the boiler and the room thermostat there must be no:
 - large metallic objects (e.g. kitchen appliances),
 - steel reinforced walls
 - large mirrors or windows
 - There must be no more than 2 walls and 1 ceiling between the boiler and the room thermostat.
 - There must be no walls running along the path between the boiler and the room thermostat (see diagrams 1 & 2).
 - 2. The room thermostat can be placed on the stand supplied in the box otherwise remove the wall mounting panel from the rear of the room thermostat by using a flat head screwdriver.
 - 3. Pull out cardboard tab from battery compartment.
 - 4. Place the room thermostat in proposed location (make sure you are not holding the room thermostat as this can interfere with the communication link to the receiver). Press the reset button on the room thermostat. If 4 or 5 lights are continuously lit on the receiver then communication is established and OK should be pressed. If less than 4 lights are lit then this location is not suitable for the control (note trouble shooting guide). At the same time "M-050 S-050" is shown on the room unit. The number is another indicator of signal strength - the lower the number the better.
 - 5. Once a suitable location is found secure the control to the wall using the mounting panel.

Diagram 1

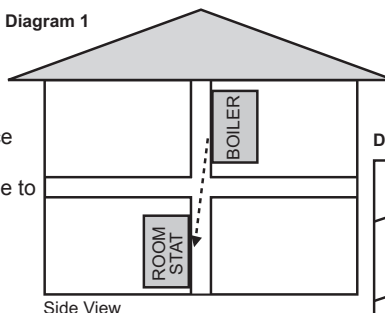
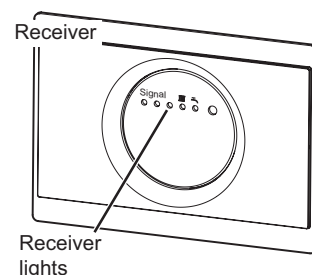
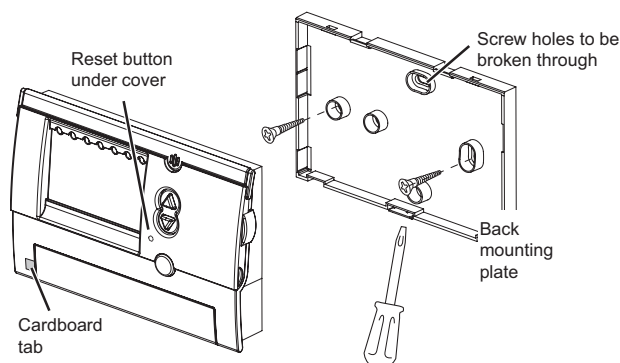
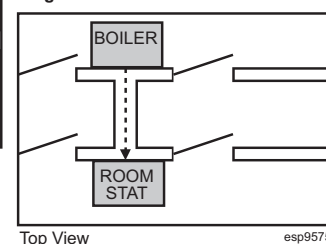


Diagram 2




Notes.

- If there is no communication between the control and the boiler check the LCD on the control which will display any faults.
- It may take 5 minutes for the control to send an "on" and "off" signal to the boiler.

Once installation of the programmer and receiver is complete, refer to programmer user guide for setup

TROUBLE SHOOTING

FAULT	ACTION
Central Heating will not switch on	Check that the room thermostat is set to "CONT ON" or is in a programmed period
	Check that the room temperature is set to 30°C (press the "+" key on the room control until temperature = 30°C)
	Check that the power to the boiler is switched on
	Ensure that the "MODE" knob on the front of the boiler is in the winter  position
	Change the batteries in the room thermostat
	Press the reset button on the room thermostat if less than 4 lights are lit on the receiver then the room thermostat is either too far away from the boiler or there are unsuitable materials in between the boiler and the room thermostat (note diagrams 1 & 2)
	Replace both the receiver and the room thermostat for a new pair.
Central Heating will not switch off	Check that the room thermostat is set to "CONT OFF" or is in a programmed off period
	Press the reset button on the room thermostat if less than 4 lights are lit on the receiver (fig 8) then the room thermostat is either too far away from the boiler or there are unsuitable materials in between the boiler and the room thermostat
	Change the batteries in the room thermostat.
	Replace both the receiver and the room thermostat for a new pair.

BATTERY REPLACEMENT

Batteries should operate for approximately 18 to 24 months.

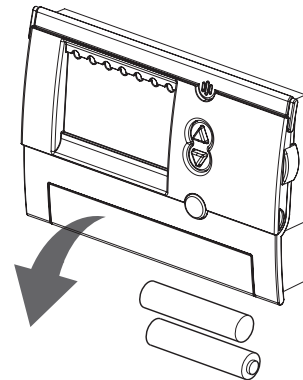
Only good quality alkaline batteries should be used.

To replace batteries remove battery panel on the front of the room thermostat and replace the batteries. Refit the battery panel.

Note that if the batteries are removed for more than 30 secs, the time, date and set temperature will be lost.

If the batteries are not replaced and no signal is received by the receiver all 5 lights on the receiver on the boiler will flash on and off.

After 1 hour the boiler will operate in "Emergency Mode" with a continuous, but reduced temperature until the batteries are replaced.



Batteries - 2x 1.5V LR6/AA

