

IDEAL MEXICO SLIMLINE 2 BED RS & CF 40 & 50

User's Instructions

Natural gas models only

Ideal Mexico

Slimline 2 RS 40

Slimline 2 RS 50

Slimline 2 CF 40

Slimline 2 CF 50

B.G.C. Appliance Nos.

41 349 39

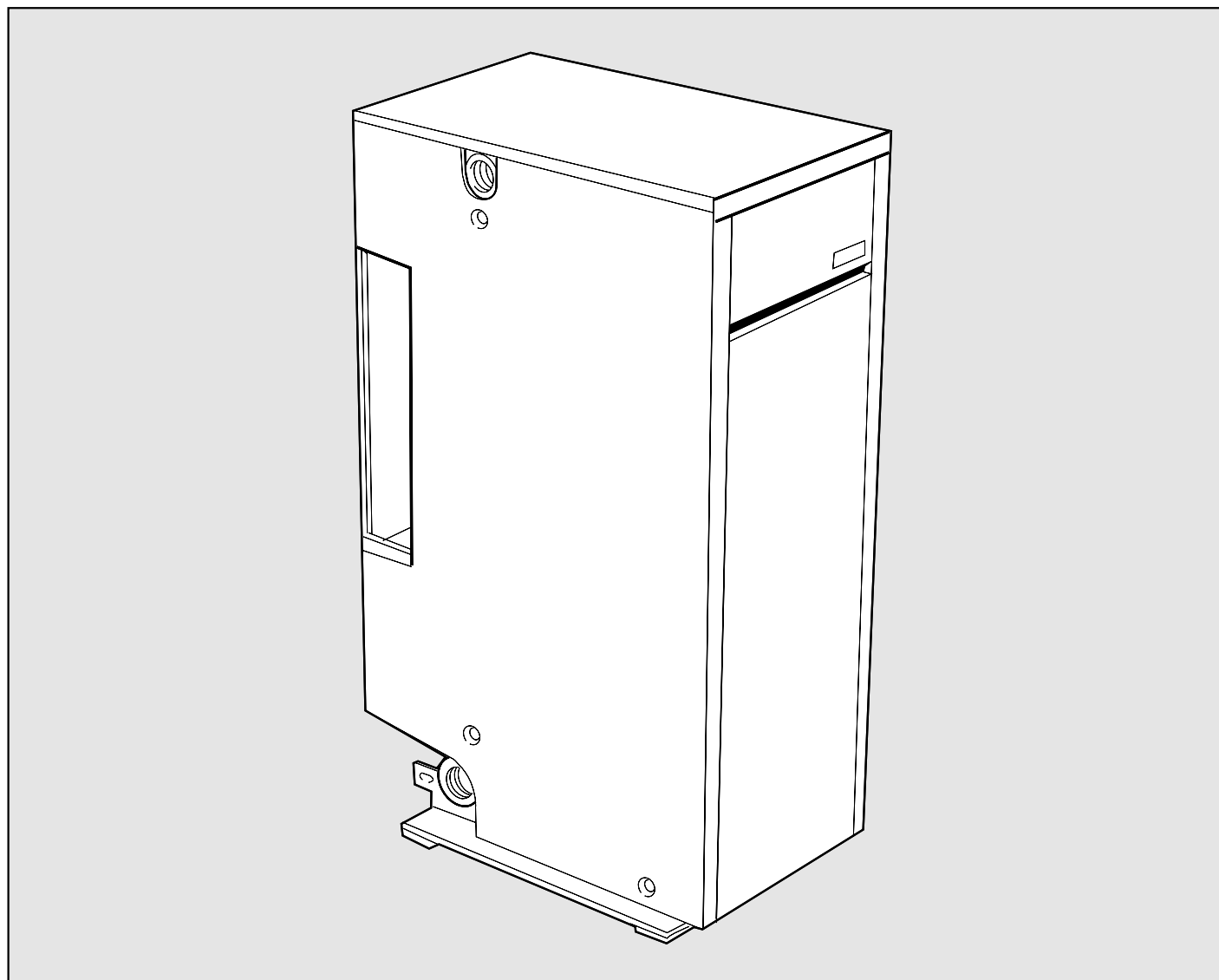
41 349 40

41 349 37

41 349 38


Caution

To avoid the possibility of injury during the operation or cleaning of this appliance, care should be taken when handling the edges of sheet steel components.



i Ideal BOILERS

THE GAS SAFETY (INSTALLATION AND USE) REGULATIONS 1994 & AMENDMENTS 1996.

It is law that all gas appliances are installed by a CORGI registered installer [identified by 

It is ESSENTIAL that the instructions in this booklet are strictly followed, for safe and economic operation of the boiler.

ELECTRICITY SUPPLY

This appliance must be efficiently earthed.

Supply: 230 V ~ 50 Hz

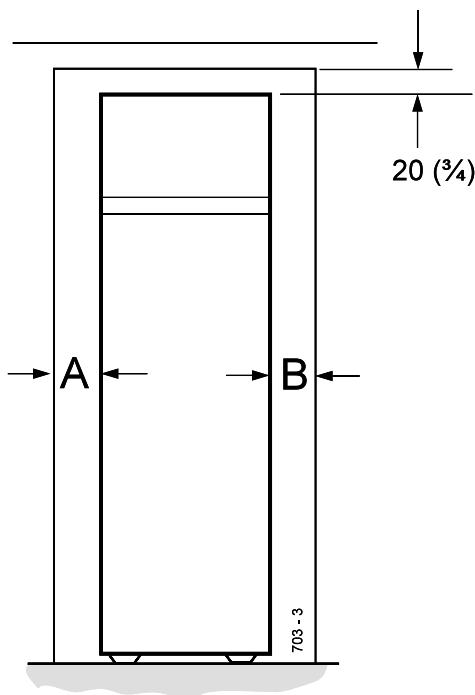
This appliance must be connected to the supply via a double-pole switch, fused at 3A, having a 3mm [$1/8$ ""] separation in both poles, serving only the boiler and system controls.

IMPORTANT NOTES

- If the boiler is installed in a compartment then the compartment **MUST NOT** be used for storage purposes.
- The ventilation provided for the boiler during installation **MUST NOT** be blocked, and a check should be made periodically that the ventilation areas are free from any obstruction.
- If it is known or suspected that a fault exists on the boiler then it **MUST NOT** be used until the fault has been corrected by a CORGI registered installer.
- Flammable materials **MUST NOT** be placed in close proximity to the appliance. Materials giving off flammable vapours **MUST NOT** be stored in the same room as the appliance.
- Under no circumstances should any of the sealed components on this appliance be used incorrectly or tampered with.

1 BOILER CLEARANCES

Dimensions in mm (in.)



| Boiler | Minimum A or B | Minimum A + B |
|--------|----------------|---------------|
| CF 40 | 25 (1") | 100 (4") |
| CF 50 | 25 (1") | 100 (4") |
| RS 40 | 5 (3/16") | 10 (3/8") |
| RS 50 | 5 (3/16") | 10 (3/8") |

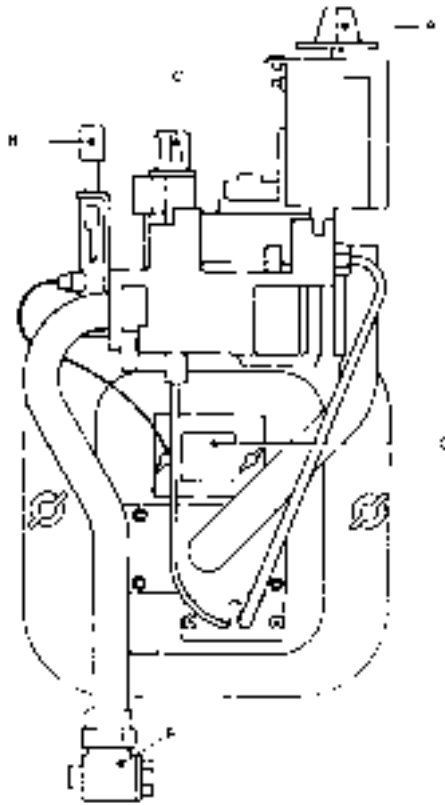
MINIMUM CLEARANCES

A clearance of 535mm [21"] **MUST** be available at the front of the boiler for servicing.

The minimum clearances given in Frame 1 **MUST** be complied with, in order to maintain the safe running of the boiler.

2 BOILER FITTINGS

RS illustrated



TO LIGHT THE BOILER

1. Check that the main gas cock (F) is open.
2. Ensure the boiler thermostat knob (A) is at OFF. Turn the gas control knob (C) clockwise until resistance is felt and then release it. **Wait for 3 minutes.**
3. Push in the gas control knob (C) and hold it depressed. Push in and release the igniter button (B) repeatedly until the pilot flame can be seen through the sightglass (D). When the pilot has lit continue to press the control knob (C) for a further 20 seconds.
4. Should the pilot go out at this, or any other stage, turn the gas control knob (C) clockwise and release it. Wait for 3 minutes. Repeat instruction 3 but wait longer than 20 seconds before releasing the gas control knob (C).
5. Check that the electricity supply and all external controls are ON.
6. Turn the boiler thermostat knob (A) to position 6 and the boiler will light. Set the boiler thermostat to the desired setting.

Winter conditions (i.e. central heating and domestic hot water)

The thermostat should be positioned at setting 5 or 6.

Summer conditions (i.e. domestic hot water only)

The thermostat should be positioned at setting 1 or 2. However, these settings are offered for general

guidance only and other settings may be found preferable, dependent upon the type of system installed or as recommended by the installer.

Approximate flow temperatures for the boiler thermostat settings are:

| Boiler Thermostat Setting | Flow Temperature | |
|---------------------------|------------------|-----|
| | °C | °F |
| 1 | 54 | 130 |
| 2 | 60 | 140 |
| 3 | 66 | 150 |
| 4 | 71 | 160 |
| 5 | 77 | 170 |
| 6 | 82 | 180 |

TO SHUT DOWN THE BOILER

1. For short periods:

Turn the boiler thermostat to OFF. When heating is again required, restore the knob to its original setting.

2. For longer periods:

Turn the boiler thermostat knob to OFF and the gas control knob clockwise until resistance is felt and then release it to extinguish the pilot burner. Switch the electricity OFF.

FROST PRECAUTIONS

Leave the boiler running at a reduced setting when the premises are to be unoccupied for short periods.

For longer periods the entire system, including the domestic water supply, should be drained down.

If the system includes a frost thermostat, in cold weather the boiler should be turned OFF at the time overriding switch only.

All other switches, including the mains supply and the boiler thermostat, should be left in the normal running position.

TTB DOWNDRAUGHT THERMOSTAT (CF only)

This appliance is fitted with a TTB draught thermostat for added safety and protection. If this thermostat should operate and switch off the appliance it is because the flue is subject to draught, probably as a result of adverse wind conditions.

The TTB is an automatic reset thermostat which will reset once wind conditions have returned to normal, subject to a built-in reset delay of between 10-25 minutes.

The TTB is an IMPORTANT SAFETY DEVICE and MUST NOT be put out of action or interfered with in any way.

In cases of repeated or continuous shutdown a CORGI registered person should be called to investigate and rectify the condition causing this. Only the manufacturer's original parts should be used for replacement.

TO RELIGHT THE BOILER

Repeat the procedure detailed in paragraphs 1-5 in 'To Light the Boiler'.

If required, the pilot burner may be ignited by means of a spill inserted through the sight glass opening (D).

ESCAPE OF GAS

Should a gas leak or fault be suspected contact your gas supplier *without delay*.

Do not search for gas leaks with a naked flame

CLEANING

For normal cleaning simply dust with a dry cloth.

To remove stubborn marks and stains wipe with a damp cloth and finish off with a dry cloth.

Do not use abrasive cleaning materials.

MAINTENANCE

The appliance should be serviced at least once a year by a CORGI registered installer.

Note. *The appliance model is given on the data plate, located on the front of the boiler base plate, behind the grille assembly.*



THIS SYMBOL IS YOUR ASSURANCE OF QUALITY

These appliances are designed for use with Natural Gas only. They have been tested and conform with the provisions of BS. 6332 and BS. 5258.



CERTIFIED PRODUCT
Manufactured under a BS EN ISO 9001:
1994 Quality System accepted by BSI

CARADON IDEAL Ltd. pursues a policy of continuing improvement in the design and performance of its products. The right is therefore reserved to vary specification without notice.

CARADON IDEAL Ltd,

P.O. Box 103, National Avenue,

Kingston upon Hull, HU5 4JN.

Telephone: 01482 492 251 Fax: 01482 448 858.

Registration No. London 322 137.

Registered Office; National Avenue,

Kingston upon Hull, HU5 4JN.

A subsidiary of Caradon p.l.c

April 1997

150 951 A01

Customer Care & Technical Support

Please use the following numbers for speedy assistance.

Ideal Parts..... Tel: 01482 498 665

..... Fax: 01482 498 489

Customer Care & Technical Support.

Scotland/N. England/Midlands Tel: 01482 498 636

Southern England/S. Wales Tel: 01482 498 660

..... Fax: 01482 498 666

Publications/literature. Tel: 01482 498 467

i Ideal BOILERS