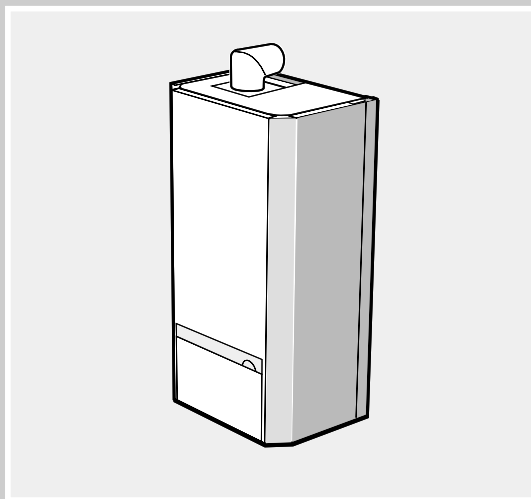


THE IDEAL USERS GUIDE



systemiser SE

the super efficiency system

Wall mounted,
gas fired, fanned flue
condensing heating boiler

i Ideal BOILERS

Systemiser SE: The condensing system boiler

The Ideal Systemiser SE is a wall mounted, fanned flue system boiler which serves a home's central heating system. It has been designed to be 'friendly' to the user, installer and service engineer.

Systemiser SE: The fit anywhere system boiler

Simple fanned 'go anywhere' flue

The Systemiser SE's flue turret simply rotates through 360° to allow horizontal outlet in any direction. Options include horizontal flue length extensions or simple vertical flue kits - and the flue is self-sealing, eliminating the need for outside assembly - an important benefit in high-rise applications.

Downward or upward connections...

Water and gas connections have been designed to be as simple and fast as possible. The Ideal Systemiser SE comes complete with a rugged mounting frame which when fitted with the stand-off brackets can accommodate downward or upward routed gas, water and electrical connections before the boiler is fitted.

...and it fits inside a cupboard

Its compact size makes the Systemiser SE ideal for any kitchen. It can be installed inside a cupboard without any ventilation.

Systemiser SE: The system boiler you can rely on

The Systemiser SE has been designed and developed with reliability as the number one priority. But even the finest engineered product may develop a fault at some stage in its lifetime. To support the Systemiser SE we have created the Ideal Care Guarantee which sets out our target to repair any fault next day.

Free Guarantee: 1st Year Ideal Care

The home owner is entitled to 12 months free Ideal Care, which includes both parts and labour, to restore the boiler to full function. Please encourage the home owner to complete and return the registration form in their Householder's pack within 30 days of installation.

Optional Extra Year Cover with Ideal Care

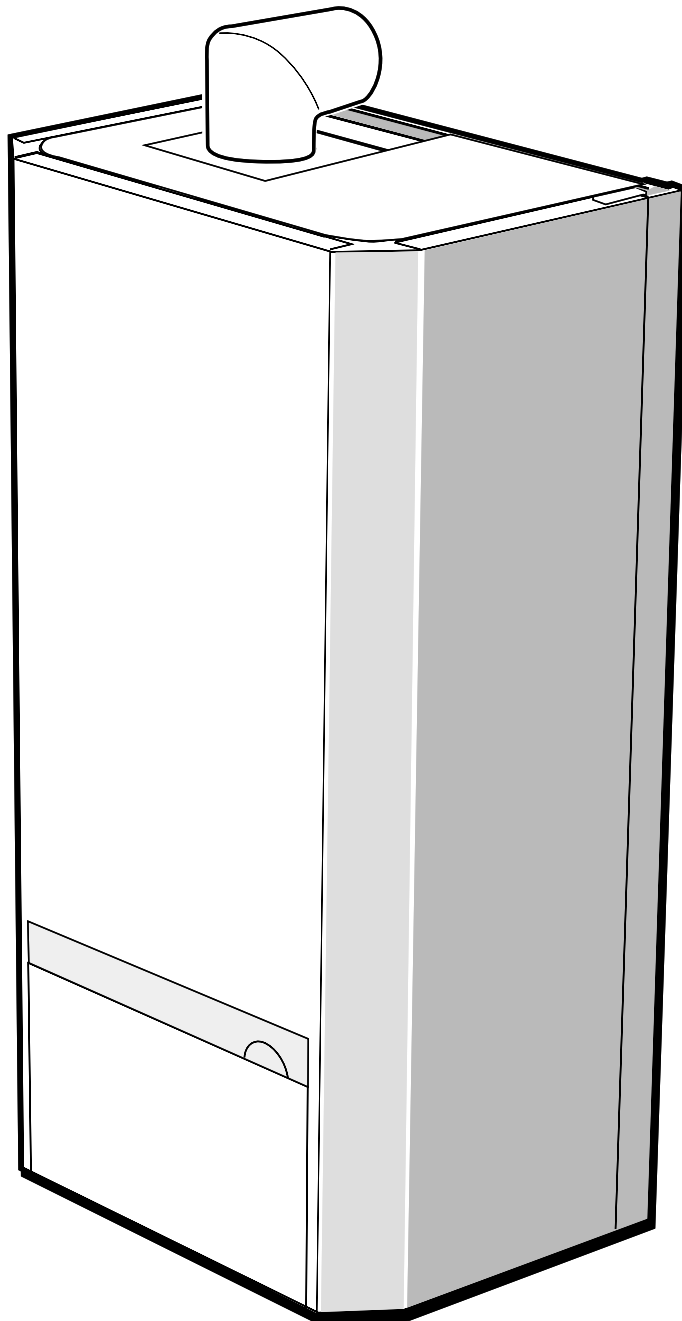
You may wish to offer your own annual service plan or you may wish to advise the home owner to complete their application form for the appropriate level of extended Ideal Care - Silver, Gold or Platinum. Full details are available in the Ideal Care brochure.

SYSTEMISER SE (*Natural Gas Models Only*)

G.C. Appliance No. 41 349 70

Gastec Certified - P.I. No. 0063 AS 3355

Destination Countries: GB, IE



CAUTION. To avoid the possibility of injury during the installation, servicing or cleaning of this appliance care should be taken when handling edges of sheet steel components.

Introduction

The **Systemiser SE** is a wall mounted, room sealed, super efficient condensing system boiler, featuring full sequence automatic spark ignition and fan assisted combustion.

Due to the very high efficiency of the boiler, condensate is produced from the flue gases and this is drained to a suitable disposal point through the plastic waste pipe at the left lower rear of the boiler. A condensate 'plume' will also often be visible at the flue terminal.

Safety

Gas safety (Installation & Use) Regulations 1994, amendments 1996 or rules in force.

In your own interest, and that of safety, it is the law that this boiler must be installed by a registered installer, in accordance with all national and local regulations.

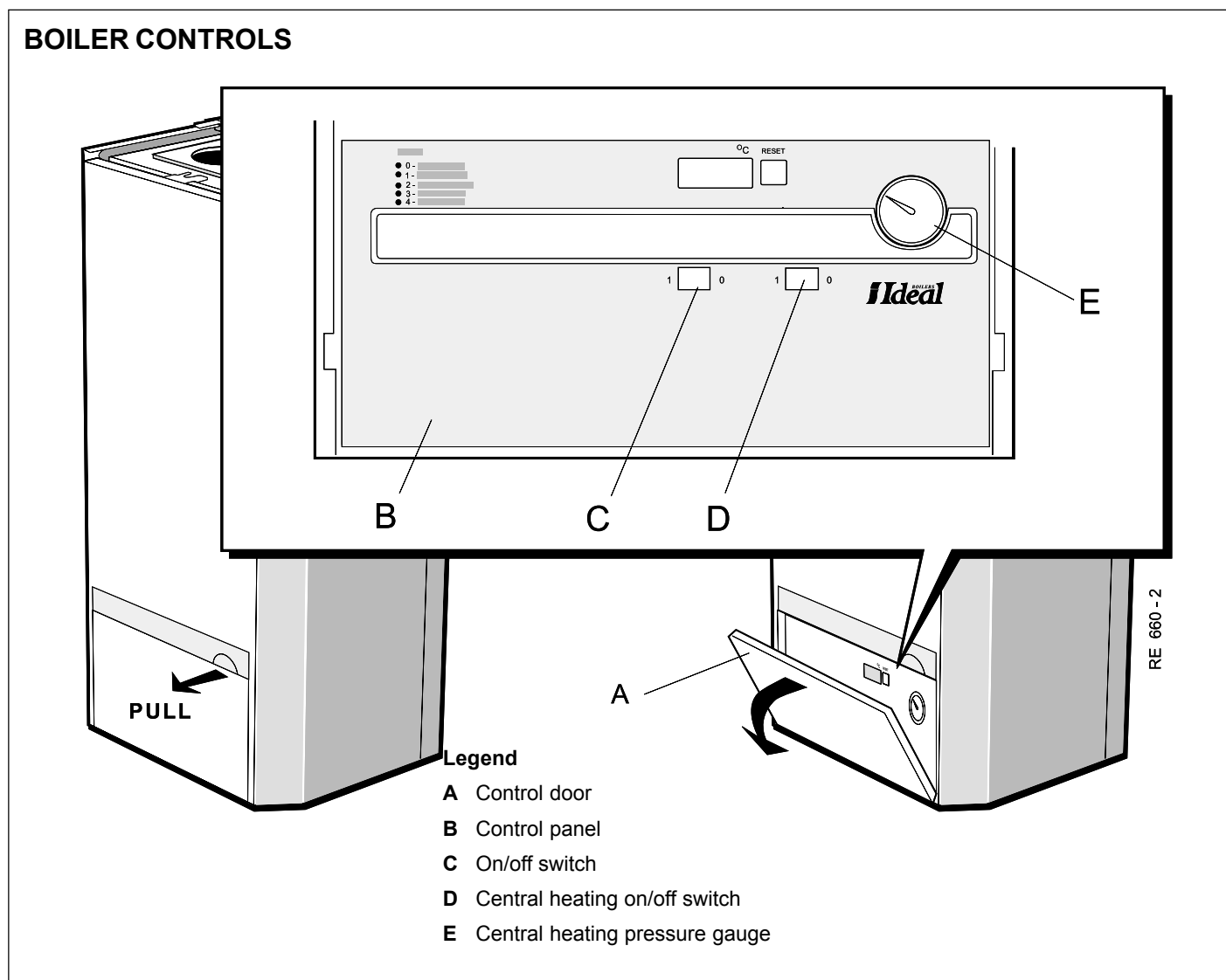
It is essential that the instructions in this booklet are strictly followed, for safe and economical operation of the boiler.

Electricity Supply

This appliance is intended to be connected to the supply via a double-pole switch, having a 3mm contact separation in both poles, serving only the boiler and system controls. Alternatively, a 3-pin UNSWITCHED socket may be used. The fusing should be 3A.

IMPORTANT NOTES

- THIS APPLIANCE MUST NOT BE OPERATED WITHOUT THE CASING CORRECTLY FITTED.
- If the boiler is installed in a compartment then the compartment MUST NOT be used for storage purposes.
- Clearances of 180mm above, 100mm below, 5mm at the sides and 450mm at the front of the boiler casing must be allowed for servicing.
- If it is known or suspected that a fault exists on the boiler then it **MUST NOT BE USED** until the fault has been corrected by a registered installer.



To light the boiler

1. Check that the electricity supply to the boiler is OFF.
2. Open the controls access door .
3. Set the on/off switch (C) and CH switch (D) to OFF.
4. Switch ON the electricity supply to the boiler and check that all external controls, e.g. programmer, room thermostat, etc., are ON.

If a programmer is fitted, refer to the separate instructions provided.

5. Set the on/off switch (C) to ON and CH switch (D) to the desired position.

The boiler will first execute a self-check cycle then commence the ignition sequence.

Note. *In the normal running STANDBY mode, the left hand display digit indicates the boiler sequence and the other 2 digits the boiler flow temperature.*

Sequence	Boiler Status
0	Standby - no heat request
1	Purge
2	Ignition
3	Burner on - CH

6. Close the controls door.

Operation

WINTER CONDITIONS - i.e. CH

Set the CH switch (D) to ON.

The boiler will fire and supply heat to the radiators.

SUMMER CONDITIONS

Set the CH switch (D) to OFF.

Control of water temperature

The boiler controls the central heating radiator temperature to a maximum of 82 °C

To return the boiler to normal running STANDBY mode press the RESET button.

To shut down the boiler

1. For short periods

Set the CH switch (D) to OFF.

2. For longer periods

Set the on/off switch (C) and CH switch (D) to OFF, and switch the electricity supply to OFF.

Frost protection

This is provided automatically by the boiler control unit. If frost is likely during an absence from home, turn the boiler off at the time switches ONLY, leaving the mains supply switched ON.

If the boiler flow temperature falls below 7 °C the pump will run, without the boiler firing, until the temperature exceeds 10 °C.

If the flow temperature falls below 3 °C the boiler will fire until the temperature exceeds 10 °C.

Fault condition

If the boiler will not light initially or if a fault develops during normal operation, the first digit and the last 2 digits of the display will flash alternately. In this event press the RESET button and the boiler will recommence the ignition cycle.

If the fault condition persists, turn the boiler OFF and consult your CORGI registered installer.

Loss of system water pressure

The gauge (E) on the control panel indicates the central heating system pressure. If the pressure is seen to fall below the original installation pressure of 1-2 bar over a period of time then a water leak is indicated. In this event consult your local registered installer.

DO NOT OPERATE THE BOILER IF THE PRESSURE HAS REDUCED TO ZERO FROM THE ORIGINAL SETTING.

Escape of gas

Should a gas leak be suspected contact your local gas supplier IMMEDIATELY.

Do NOT search for gas leaks with a naked flame.

Condensate drain

The condensate drain must NOT be modified or blocked.

Blockage caused by debris or freezing can cause automatic shutdown of the boiler.

If freezing is suspected and the pipe run is accessible, an attempt may be made to free the obstruction by pouring hot water over the exposed pipe and clearing any blockage from the end of the pipe. If this fails to remedy the problem seek advice from your local registered installer.

Cleaning

For normal cleaning simply dust with a dry cloth.

To remove stubborn marks and stains, wipe with a damp cloth and finish off with a dry cloth.

DO NOT use abrasive cleaning materials.

Maintenance

The appliance should be serviced at least once a year by a registered installer, local gas authority or registered service organisation.

THE LOG BOOK SHOULD BE COMPLETED AFTER EACH SERVICE AND KEPT WITH THESE INSTRUCTIONS





***The code of practice for the installation,
commissioning & servicing of central heating systems***

Caradon Plumbing Limited is a member of the Benchmark initiative and fully supports the aims of the programme. Benchmark has been introduced to improve the standards of installation and commissioning of central heating systems in the UK and to encourage the regular servicing of all central heating systems to ensure safety and efficiency.



Caradon Plumbing Limited pursues a policy of continuing improvement in the design and performance of its products. The right is therefore reserved to vary specification without notice.

Caradon Plumbing Limited, P.O. Box 103,
National Ave, Kingston upon Hull, HU5 4JN.
Telephone: 01482 492 251 Fax: 01482 448 858.
Registration No. London 322 137. Registered
Office: National Avenue, Kingston upon Hull,
HU5 4JN. *A subsidiary of Caradon p.l.c*

September 1999

UIN 151 416 A02

***i* Ideal** BOILERS

Ideal Consumer Helpline Tel: 01482 498 660

Your feedback
and your chance to win a free boiler

At Ideal we've been leaders in the design and engineering of robust and reliable boilers for over 90 years. We want to continue as leaders by listening to your suggestions for how to improve our boilers and our service. We will be giving away a free boiler for the five best ideas every year (to be selected by our Technical Director). Please complete this form, using extra sheets if required, and post it or fax it to us on 01482 498699.

Boiler details

Model / Size (e.g. Classic RS 230, Mexico CF 60 etc. Details on control panel door)

Date of Installation

Installer details

Name

Address

Post Code

Telephone (Please include STD code)

How I would improve this boiler:

My general comments for Ideal:

Caradon 
Plumbing Solutions

Ideal Consumer Helpline Tel: 01482 498 660

Further information

If you would like information about Ideal Boilers please complete this sheet and fax it to us on 01482 498699 or post it to Caradon Plumbing Ltd, PO Box 103, National Avenue, Kingston upon Hull, HU5 4JN.

Name

Address

Post Code

Telephone (Please include STD code)

- Please send me details of Ideal Training Courses.
- Please arrange for a technical representative to contact me.
- Please arrange for me to join an Ideal factory tour.

- The Ideal Guide: a specifier's and installer's introduction to the Ideal domestic boiler range.
- The Ideal Householders Guide: to assist the installer when presenting to his/her customers.

- The Ideal C class combi boiler
- The Ideal Classic wall hung boiler
- The Ideal Classic System wall hung boiler
- The Ideal Classic LX Deluxe wall hung boiler
- The Ideal Mexico floor standing boiler
- The Ideal Minimiser heat-saving boiler
- The Ideal Response combi boiler
- The Ideal Response SE super efficiency combi boiler
- The Ideal Systemiser SE super efficiency system boiler
- The Ideal Concord high output boiler
- The Ideal Buccaneer oil fired boiler

Caradon 
Plumbing Solutions

Caradon Plumbing Ltd, PO Box 103, National Avenue, Kingston upon Hull, HU5 4JN. Telephone: 01482 492251 Fax: 01482 448858.

Ideal Consumer Helpline Tel: 01482 498 660

