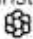


IDEAL ELAN 2 RS. 40P, 50P, 60P & 75P CF. 40P, 50P & 60P Wall Mounted Gas Boilers User's Instructions

CAUTION:

To avoid the possibility of injury during the operation or cleaning of this appliance, care should be taken when handling the edges of sheet steel components.

The Gas Safety (Installation and Use) Regulations: 1984 impose certain statutory obligations on gas users. Further information may be obtained on application to the Gas Region.

It is the law that all gas appliances are installed by competent persons e.g. CORGI (identified by ) in accordance with the above regulations.


Failure to install appliances correctly could lead to prosecution. It is in your own interest and that of safety, to ensure that the law is complied with.

ELECTRICAL SUPPLY

If a mains plug is used it MUST be a 3-pin type, wired as shown in Fig. 1 and fused at 3 A.

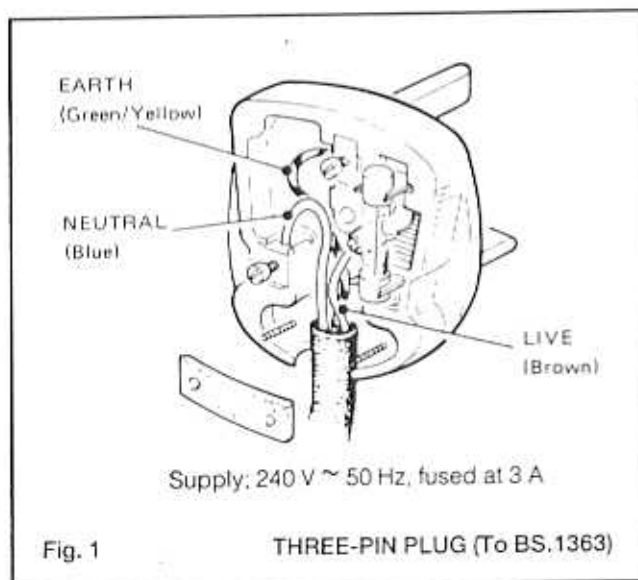
The appliance MUST be efficiently earthed.

As the colour of the wires in the mains lead of this appliance may not correspond with the coloured markings identifying the terminals in your plug, proceed as follows:-

The wire which is coloured GREEN and YELLOW must be connected to the terminal in the plug which is marked with the letter E or by the earth symbol  or coloured GREEN or GREEN and YELLOW.

The wire which is coloured BLUE must be connected to the terminal which is marked with the letter N or coloured BLACK.

The wire which is coloured BROWN must be connected to the terminal which is marked with the letter L or coloured RED.



MINIMUM INSTALLATION AND SERVICING SIZES

RS Boilers

Boiler Size	Width mm (in)	Depth mm (in)	Height mm (in)
RS 40 P- RS 60 P	390 (16)	300 (12)	825 (32)
RS 75 P	475 (19)	300 (12)	825 (32)

This includes the following minimum clearances for servicing.

Above the boiler	100 mm (4 in)
At each side of the boiler	5 mm (1/4 in)
Underneath the boiler	125 mm (5 in)

CF Boilers

Boiler Size	Width mm (in)	Depth mm (in)	Height mm (in)
CF 40 P- CF 60 P	430 (17)	300 (12)	825 (32)

This includes the following minimum clearances for servicing.

Above the boiler	100 mm (4 in)
At each side of the boiler	25 mm (1 in)
Underneath the boiler	125 mm (5 in)

Notes

- In addition a minimum of 450 mm (18 in) MUST be available at the front of the boiler for servicing.
- CF Boilers ONLY**
The above clearances MUST ALWAYS be maintained between the boiler and nearby objects on the wall in order to ensure the correct operation of the draught diverter.

IMPORTANT: THIS APPLIANCE MUST NOT BE OPERATED WITHOUT THE CASING CORRECTLY FITTED.

If the boiler is installed in a compartment then the compartment MUST NOT be used for storage purposes.

The ventilation provided for the boiler during installation MUST NOT be blocked and a check should be made periodically that the ventilation areas are free from any obstruction.

If it is known or suspected that a fault exists on the boiler it MUST NOT be used until the fault has been corrected by a competent person.

It is essential that the instructions in this booklet are strictly followed for safe and economic operation of the boiler.

TO LIGHT THE BOILER- Refer to Fig 2

- Check that the electricity supply to the boiler is OFF.
- Slide the glass fascia upwards until it locates in the retaining catch (G).
- Ensure that the thermostat selector switch (C) is in the OFF position.
- Slide the gas control button (A) to the RIGHT until resistance is felt and then release it.
Wait for three minutes.
- Push in and retain fully depressed, the gas control button (A)
Press and release the ignition button (F) repeatedly until the pilot flame can be seen through the sight glass (B). When the pilot has lit continue to press in the gas control button (A) for a further 15 seconds.
- Should the pilot go out at this or any other stage, slide the gas control button (A) to the RIGHT and release it. Wait for three minutes and then repeat Instruction 5 above, but wait for longer than 15 seconds before releasing the gas control button.
- Switch ON the electricity supply to the boiler and check all external controls, eg room thermostat etc are ON.
- Set the boiler thermostat selector switch (C) to the desired position - HIGH or LOW.
The appropriate indicator neon (D) or (E) will glow and the boiler will light.
- Lift the glass fascia slightly, release the retaining catch (G) by pulling it forward, and slide the fascia down.

For WINTER CONDITIONS, i.e. central heating and domestic hot water the thermostat should be set at HIGH.

For SUMMER CONDITIONS, i.e. domestic hot water only the thermostat should be set at LOW.

Approximate flow temperatures for the boiler thermostat settings are:

Thermostat Setting	Approx. Flow Temp	
	°C	°F
High	82	180
Low	60	140

TO SHUT DOWN THE BOILER

- For Short Periods:**
Set the boiler thermostat selector switch (C) to OFF.
When heating is again required - restore the switch to its original setting.
- For Longer Periods:**
 - Set the boiler thermostat selector switch (C) to OFF
 - Slide the gas control button (A) to the RIGHT until resistance is felt and then release it to extinguish the pilot burner.
 - Switch the electricity supply to OFF.

HOSUP?

WARNING: If no frost protection is provided and frost is likely during a short absence from home leave the heating controls (if fitted) at a reduced temperature setting. For longer periods, the entire system should be drained, including the domestic water supply. If the system includes a frost thermostat, then during cold weather, the boiler should be turned OFF at the time switch (if fitted) only. The mains supply should be left switched 'ON' and the boiler thermostat left in the normal running position.

BOILER OVERHEAT THERMOSTAT

The boiler is fitted with safety 'cut out' thermostat. This will interrupt the gas supply to the boiler and shut it down in the event of overheating. Should this occur allow the boiler to cool and then re-light as detailed in steps 1-9 under "To light the Boiler". If the cut-out condition still persists then turn off the boiler and consult your local heating installer.

CONTROL OF WATER TEMPERATURE

1. Set the boiler thermostat selector switch to give the required temperature.
2. The boiler thermostat automatically switches the main burner OFF and ON to maintain the selected temperature.
3. The pilot burner remains alight continuously to give re-ignition of the main burner.

TO RELIGHT THE BOILER

Repeat the procedure 1-9 detailed in 'To light the boiler'

ESCAPE OF GAS

SEE EMERGENCY ACTION NOTICE AT THE BACK OF THIS PUBLICATION

CLEANING

For normal cleaning simply dust with a dry cloth. To remove stubborn marks and stains wipe with a damp cloth and finish off with a dry cloth.

Do NOT use abrasive cleaning materials.

MAINTENANCE

The appliance should be **SERVICED AT LEAST ONCE A YEAR** by a qualified Heating Engineer

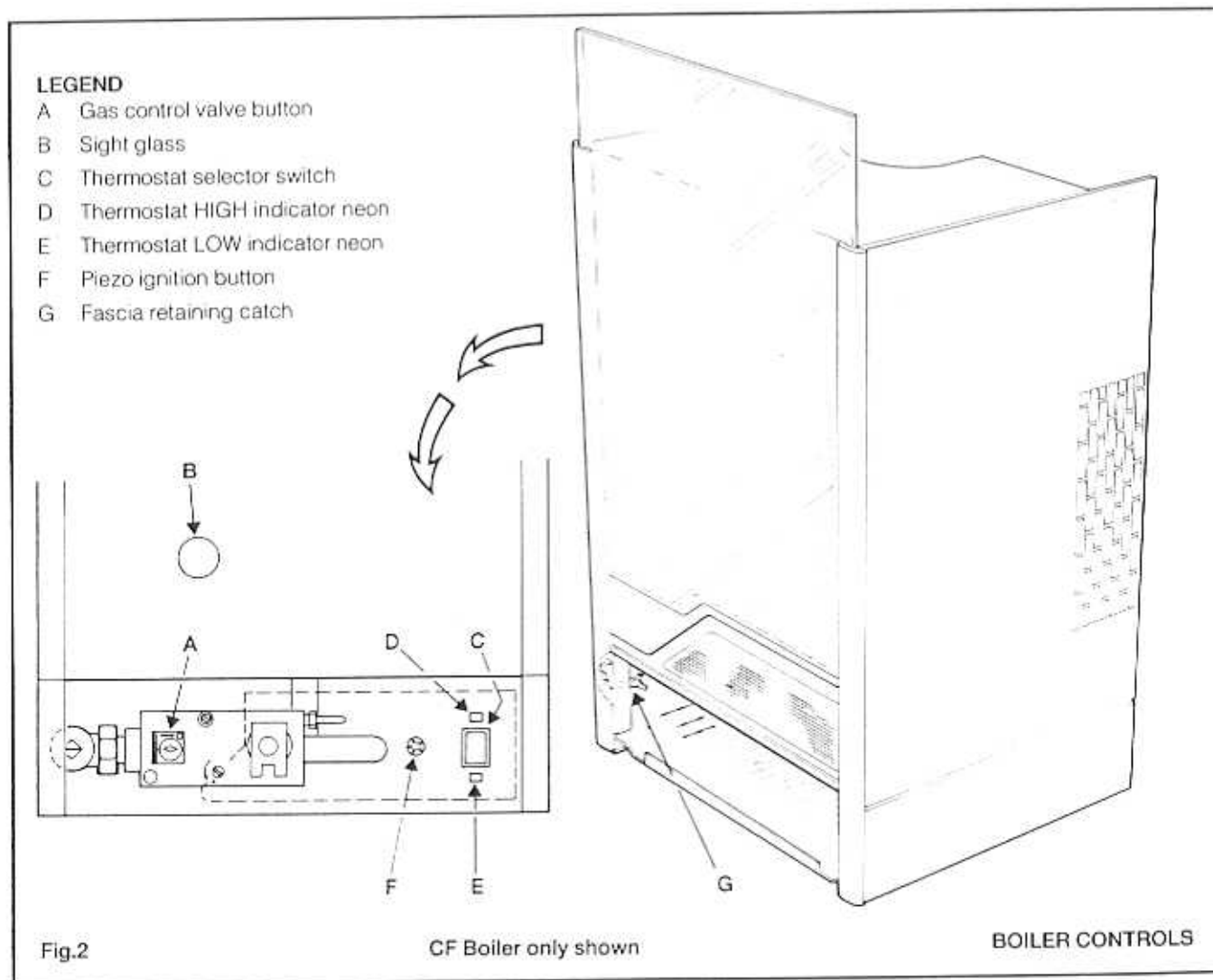


Fig.2

CF Boiler only shown

BOILER CONTROLS

CHANGING GAS CYLINDERS

- a) Ensure that the replacement gas cylinder is the correct one for the installation.
- b) Extinguish any fire, flame or source of ignition (including cigarettes, pipes and pilot lights) before changing gas cylinders.
- c) Change cylinders with caution.
- d) Ensure that the gas cylinder valve(s) is/are closed before disconnecting an empty cylinder or before removing any plastic cap or plug on the outlet connection of the replacement cylinder.
Never use tools on cylinder valves, hand wheels or levers.

Note: Cylinders with threaded connections have left hand thread. For cylinders with self sealing/clip on valves, ensure that the regulator tap is closed before disconnection.

- e) Ensure that the replacement cylinder connections are gas-tight. Any leaking vapour will smell. Test by brushing with soapy water around the connections; bubbles will form if vapour is leaking.
Never use a naked flame.
- f) It is essential that the correct pressure regulator with the correct pressure setting and capacity for the installation is used in accordance with the manufacturer's instructions.
- g) In the case of connection on a pressure regulator or gas appliance which relies upon a sealing washer to maintain a gas-tight joint, it is essential to check that the washer is present, that it is sound and is correctly positioned prior to making the connection. Where the connection relies on a metal-to-metal seating or bullnose connection to obtain a gas-tight joint it is essential that the mating surfaces be clean and undamaged.
In no circumstances should a damaged valve or connection be used.
- h) Where connections are designed to be tightened with a spanner, it is essential that a spanner of correct size is used and that the union is firmly tightened; hand tightness is not sufficient. When self-sealing valves are incorporated in a gas cylinder, connections should be made in accordance with the manufacturer's instructions and tools should not be used.
- i) If the continuation of supply is interrupted when a cylinder is changed, it is essential that all appliance taps are turned off before the change is made.
- k) With bulk storage tanks, always ensure that the site is kept clean and clear of rubbish. Such vessels are designed to be filled on site by the gas distributors.

EMERGENCY ACTION NOTICE

GAS LEAKAGE * (Usually detected by a distinctive smell).

DO NOT OPERATE ELECTRICAL SWITCHES.

NEVER LOOK FOR A LEAK WITH A NAKED FLAME *.

IMMEDIATE ACTION:-

CLOSE all cylinder valves.

EXTINGUISH all sources of ignition.

OPEN all doors and windows.

If leakage cannot be stopped, REMOVE CYLINDERS to a safe place in the open air and advise the supplier. If this is not possible, evacuate the premises and call the fire brigade.

DO NOT USE THE INSTALLATION until it has been checked by the gas supplier or other competent person.

FIRE *

IMMEDIATE ACTION:- IF SAFE TO DO SO, SHUT OFF GAS SUPPLY *.

Do not attempt to extinguish gas flame by any other means.

Raise alarm and call the fire brigade * stating that a liquefied petroleum gas cylinder is involved and it's location.

DO NOT GO NEAR if a cylinder is being heated by fire.

ALERT EVERYONE in the immediate area of the fire and evacuate the building.

ADVISE FIRE BRIGADE on their arrival of the LOCATION of the cylinder.

If a cylinder is not involved in the fire *and it is safe to do so*, close all cylinder valves and remove the cylinders to a safe place.

RED

STELRAD GROUP pursues a policy of continuing improvement in design and performance of its products. The right is therefore, reserved to vary specification without notice.

STELRAD GROUP Limited

Sales and Marketing

P.O. Box 103, National Avenue

Kingston upon Hull.

North Humberside. HU5 4JN

Telephone: 0482 492251 Telex: 527032

Head and Registered Office:

Newtown Road, HENLEY-on-Thames, Oxfordshire

RG9 1HL

Registration No. London 322137

A SUBSIDIARY OF METAL BOX p.l.c.

H.0543 4/87

Printed in England.