

users guide

Classic

Your Ideal users guide

See reverse for **Classic** installation & servicing instructions

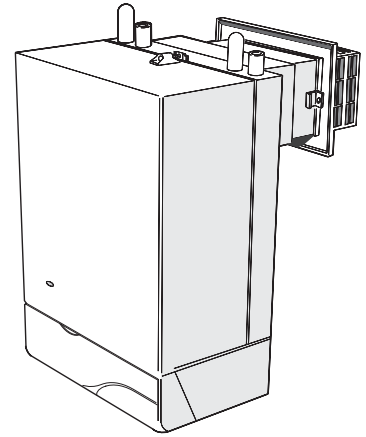
**SE9 RS, SE12 RS, SE15 RS
& SE18 RS**

When replacing a part on this appliance use only spare parts that you can be assured conform to the safety and performance specification that we require. Do not use reconditioned or copy parts that have not been clearly authorised by Ideal Boilers.

i BOILERS **Ideal**
ENGINEERED FOR PEACE OF MIND

Classic SE RS (Natural Gas Models Only)

Model	GC Appliance No
Classic SE9 RS	41 395 44
Classic SE12 RS	41 395 45
Classic SE15 RS	41 395 46
Classic SE18 RS	41 395 99



INTRODUCTION

It is essential that the instructions in this booklet are strictly followed, for safe and economic operation of the boiler.

Current Gas Safety (Installation & Use) Regulations or rules in force.

In your own interest, and that of safety, it is the law that this boiler must be installed by a CORGI registered installer or in IE a competent person, in accordance with the above regulations.

Electricity Supply

This appliance must be efficiently earthed.

Supply: 230 V ~ 50 Hz. The fusing should be 3A.

Connection must be made in a way that allows complete isolation of the electrical supply such as a double pole switch having a 3mm (1/8") contact separation in both poles, or a plug and socket, serving only the boiler and system controls. The means of isolation must be accessible to the user after installation.

IMPORTANT NOTES

- This appliance **must not be operated** without the casing correctly fitted and forming an adequate seal.*
- If the boiler is installed in a compartment then the compartment **MUST NOT** be used for storage purposes.*
- The ventilation provided for the boiler during installation **MUST NOT** be blocked and a check should be made periodically that the ventilation areas are free from any obstruction.*
- If it is known or suspected that a fault exists on the boiler then it **MUST NOT** be used until the fault has been corrected by a CORGI registered installer or in IE a competent person.*

- Under **NO** circumstances should any of the sealed components on this appliance be used incorrectly or tampered with.*

Minimum clearances

A clearance of 533mm (21") **MUST** be available at the front of the boiler for servicing.

The minimum clearances given below **MUST** be complied with in order to maintain the safe running of the boiler .

Above the boiler	100 mm	(4")
At each side of the boiler	5 mm	(1/4")
Underneath the boiler	100 mm	(4")
In front of the boiler	75 mm	(3")

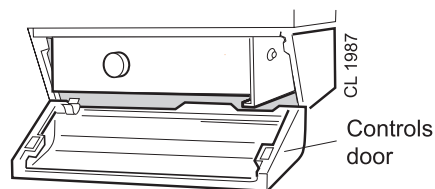
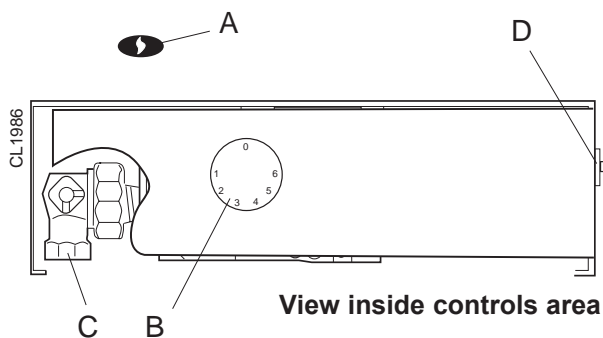
To light the boiler. Refer to Frame 1

If a programmer is fitted, refer to separate instructions for the programmer before continuing.

- CHECK THAT THE ELECTRICITY SUPPLY TO THE BOILER IS OFF.
- Open the controls access door by hinging downwards.
- Ensure that the gas inlet cock (C) is OPEN.
- If an overheat thermostat is fitted press the overheat reset button (D), located as shown in Frame 1.
- Switch ON the electricity supply to the boiler. Check that all external controls, e.g. room thermostat etc., are ON.
- Turn the boiler thermostat knob (B) to position 6. After about 15 seconds the boiler will light automatically - this can be viewed through the sightglass (A).
Set the boiler thermostat to the desired position.
- Close the controls access door.

CAUTION. To avoid the possibility of injury during the installation, servicing or cleaning of this appliance, care should be taken when handling edges of sheet steel components.

1 BOILER CONTROLS



LEGEND

- A. Sightglass
- B. Thermostat knob
- C. Gas service cock (shown in the OPEN position)
- D. Overheat thermostat reset button (if fitted)

Winter conditions, i.e. central heating and domestic hot water, the thermostat should be set at position 5 or 6.

Summer conditions, i.e. domestic hot water only, the thermostat should be set at position 3.

These settings, however, are offered for general guidance only and other settings may be found preferable, dependent upon the type of system installed or as recommended by the installer.

Approx. flow temperatures for the boiler thermostat settings are:

Knob Setting	Flow Temperature	
	°C	°F
1	56	133
2	61	142
3	66	152
4	72	161
5	77	170
6	82	180

To shut down the boiler

1. For short periods

Turn the boiler thermostat (B) to '0' to turn the boiler OFF. When heating is again required, turn the thermostat knob to the desired heat setting.

2. For longer periods

Turn the boiler thermostat (B) to '0' to turn the boiler OFF. Switch the electricity supply to OFF.

To relight the boiler

Repeat the procedure 1 - 7, detailed in 'To light the boiler'.

Frost protection

If no frost protection is provided and frost is likely during a short absence from home, leave the heating controls at a reduced temperature setting.

For longer periods, the entire system should be drained - including the domestic water supply. If the system includes a frost thermostat then, during cold weather, the boiler should be turned OFF at the time switch(es) ONLY. The mains supply should be left switched ON, with the boiler thermostat left in the normal running position.

Boiler overheat thermostat (if fitted)

If the boiler is fitted with a safety 'cutout' thermostat this will shut down the boiler in the event of overheating.

Should this occur allow the boiler to cool, press the reset button (D) then relight as detailed in steps 1-7 in 'To light the boiler'.

If the cutout condition still persists then turn off the boiler and consult a CORGI registered installer or in IE a competent person.

Loss of system water pressure

(Boilers fitted with Classic Sealed System Units only)

If the red arrow on the module pressure gauge is set above zero and the system pressure is seen to fall below this value over a period of time then a water leak is indicated. In this event a CORGI registered installer or in IE a competent person should be consulted.

DO NOT OPERATE THE BOILER IF THE PRESSURE HAS REDUCED TO ZERO FROM THE ORIGINAL SETTING.

Escape of gas

Should a gas leak be suspected, contact your local gas supplier without delay.

Do NOT search for gas leaks with a naked flame.

Cleaning

For normal cleaning simply dust with a dry cloth. To remove stubborn marks and stains, wipe with a damp cloth and finish off with a dry cloth.

Do NOT use abrasive cleaning materials.

Maintenance

The appliance should be serviced at least once a year by a CORGI registered installer or in IE a competent person.

All CORGI registered installers carry a CORGI ID card, and have a registration number. Both should be recorded in your **Benchmark Log Book**. You can check your installer by calling CORGI direct on 01563 72300

Caradon Ideal Limited is a member of the Benchmark initiative and fully supports the aims of the programme. Benchmark has been introduced to improve the standards of installation and commissioning of central heating systems in the UK and to encourage the regular servicing of all central heating systems to ensure safety and efficiency.



THE LOG BOOK SHOULD BE COMPLETED AFTER EACH SERVICE AND KEPT WITH THESE INSTRUCTIONS

POINTS FOR THE BOILER USER

Note. In line with our current warranty policy we would ask that you check through the following guide to identify any problems external to the boiler prior to requesting a service engineers visit. Should the problem be found to be other than with the appliance we reserve the right to levy a charge for the visit, or for any pre-arranged visit where access is not gained by the engineer.

TROUBLESHOOTING - TYPICAL NON PRODUCT FAULTS

Problem	Solution
Boiler is not working for central heating or hot water.	<ul style="list-style-type: none"> • Turn up the thermostat control knob (B). • Check overheat thermostat reset button (D) if optional kit fitted. The boiler should then relight – If the fault recurs turn off the boiler and contact the installer.
If the boiler is fitted with a sealed system kit.	<ul style="list-style-type: none"> • Check pressure gauge on the boiler this should read a minimum of 1 bar If below 1 bar re-pressurise the system via the filling loop. Once pressure reaches 1 bar turn off the tap on the filling loop and press the overheat thermostat reset button (E) to reset the boiler. If unable to do so or if the pressure continues to drop after refilling contact your installer.
Boiler goes through the ignition sequence but will not fire for central heating or hot water.	<ul style="list-style-type: none"> • Check gas supply (try at another gas appliance e.g. cooker / fire) – If no gas supply then not a boiler fault – contact your gas supplier.
Boiler is operating satisfactorily for domestic hot water but will not operate for central heating.	<ul style="list-style-type: none"> • If an external programmer is fitted check that the central heating channel is at an 'on' period • Check that the room thermostat is set at the required temperature. Test the room thermostat by turning this fully up – if this does not respond contact your installer.
Boiler is operating satisfactorily for central heating but will not operate for domestic hot water.	<ul style="list-style-type: none"> • If an external programmer is fitted check that the domestic hot water channel is at an 'on' period. • Check that the domestic hot water cylinder thermostat is set at the required temperature. Test the cylinder thermostat by turning this fully up – if this does not respond contact your installer.
Boiler will not fire the pilot light is lit but the igniter continues to spark and the main burner does not ignite.	<ul style="list-style-type: none"> • This is a symptom of crossed polarity i.e. the live and neutral supply to the boiler are crossed over. This is not a boiler fault contact your installer to correct the wiring.