



HORSTMANN

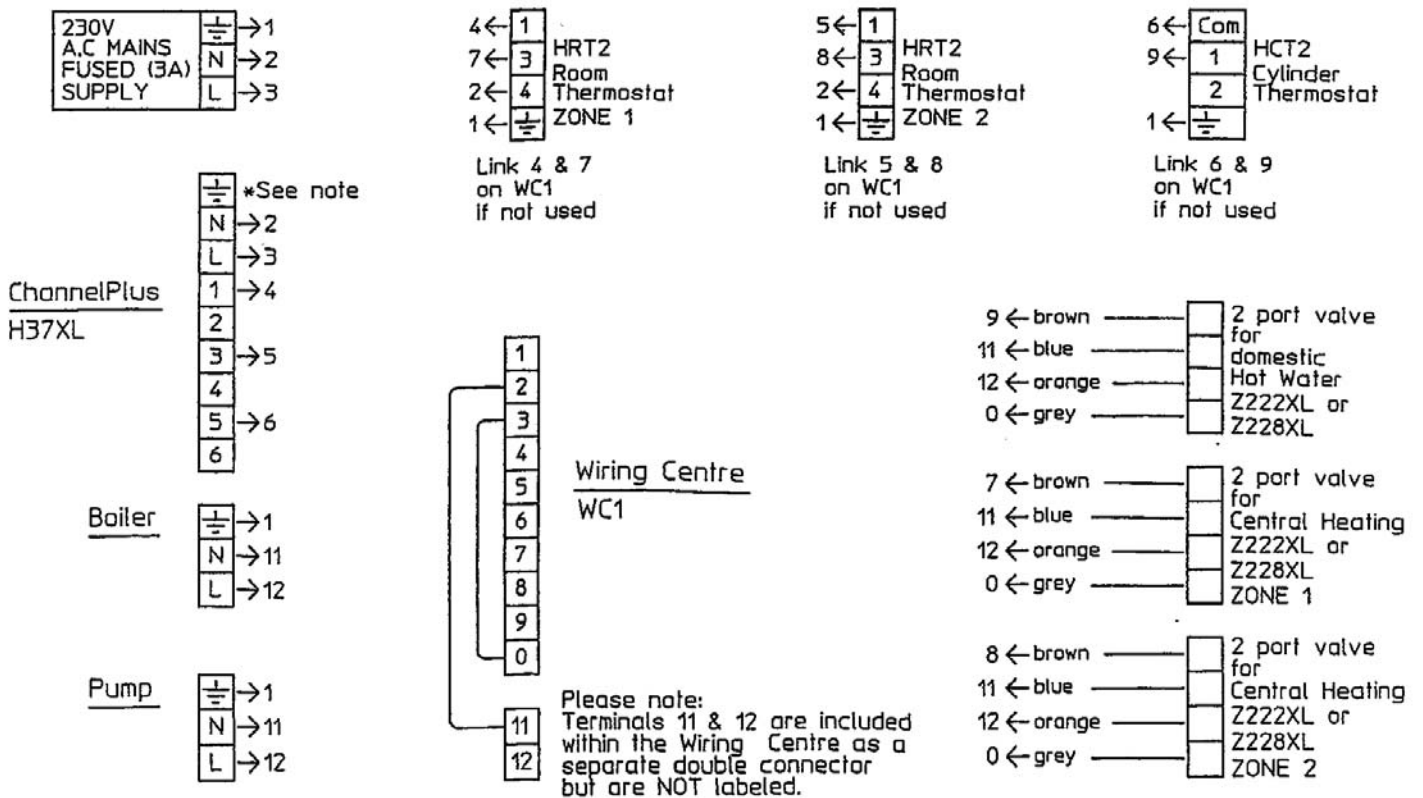
# MASTERPACK 37 WIRING INSTRUCTIONS FOR 3 ZONE SYSTEMS TYPICALLY CONTROLLING HOT WATER AND TWO HEATING ZONES

The following diagram is intended as a guide to wiring up Masterpack components using the Horstmann WC1 wiring centre.

They should only be used in conjunction with the detailed installation instructions included with each individual component.

The links shown are not present with the supplied wiring centre and must be fitted during installation.

Please ensure that all connections to the WC1 wiring centre are securely clamped using the cable clamps provided.



Note: - The ChannelPlus H37XL Programmer does not require an Earth connection. Therefore if mains Earth is connected to terminal 1 on the WC1 wiring centre, the Earth terminal on the H37XL backplate does not need to be connected.