



HORSTMANN



CHANNELPLUS H37XL SERIES 2 Electronic Programmer

A second generation programmer that offers three independent channels and features improved display and easier programming.

Unique 3 channel programming

Back-lit LCD display

Pre-set clock

Automatic Winter/Summer time change

Simplified menu driven programming

Full 7 day operation

Volt free version

5 year warranty

Horstmann.
We're in control.



The Energy Saving Trust
recommends this product only when installed
according to Government Good Practice
Guide 302.

Horstmann. We're in control.



SPECIFICATION

CONTACT RATING

3 (1) Amps 230V AC

CONTACT TYPE

Micro-disconnection changeover
(Voltage free H37VXL)

SUPPLY

230V 50Hz

OPERATING TEMPERATURE RANGE

0°C to +40°C

BATTERY TYPE

Lithium

CASE MATERIAL

Thermoplastic, flame retardant

DIMENSIONS

101mm x 163mm x 37mm

DISPLAY

Back-lit liquid crystal. Day of week
indication

CLOCK

24 hour or 12 hour AM/PM

DISPLAYED TIME ADJUSTMENTS

1 minute steps

SWITCHED TIME ADJUSTMENTS

10 minute steps

PROGRAMME OPTIONS

ON, OFF, All Day, Auto, Holiday

OPERATING PERIODS PER DAY

Three for each channel

OVERRIDE (EACH CHANNEL)

1 or 2 hour boost, 1 or 2 hour extension
to ON period. Instant advance

MOUNTING

9 pin wall fixing plate

DOUBLE INSULATED

Yes

ENCLOSURE PROTECTION

IP30

CHANNELPLUS H37XL

Unique programmer with 7 day setting over 3 independent channels (e.g. zones 1, 2 and 3 or hot water, heating 1 and 2).

Designed for use with fully pumped central heating systems using three separate 2 port zone valves.

Part L1 of the Building Regulations requires properties above 150 sq m floor space to have two separate heating zones.

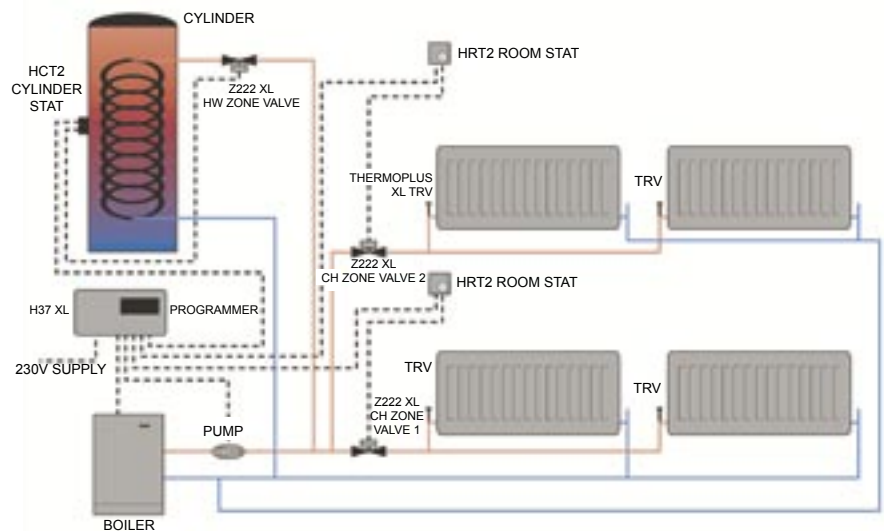
An ideal application for the H37 XL.

Also available:

CHANNELPLUS H37VXL

The same as the H37XL but with volt free contacts.

3 Zone Heating System with H37 XL



HORSTMANN

Horstmann Controls Ltd, a division of Horstmann Group Ltd, Roman Farm Road, Bristol BS4 1UP.
Tel 0117 978 8700 Fax 0117 978 8701 E-mail sales@horstmann.co.uk www.horstmann.co.uk

©Dec 2005 Horstmann Controls Limited. All rights reserved. The company reserves the right to alter product specifications without notice.