

HEATRAE SADIA

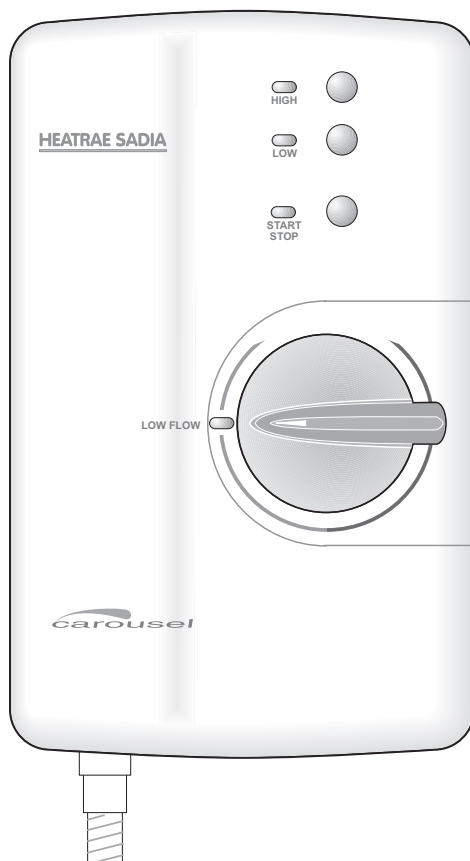
The quality name in water heating

Carousel

ELECTRIC SHOWER

INSTALLATION and USER INSTRUCTIONS

ref. 3600 5640 issue 4



**PLEASE READ AND UNDERSTAND THESE INSTRUCTIONS BEFORE
COMMENCING INSTALLATION**

PLEASE LEAVE THESE INSTRUCTIONS WITH THE USER

CONTENTS

Internal components p2
 Wiring diagrams p3
 TECHNICAL SPECIFICATIONS p4
 IMPORTANT INFORMATION p4
 How an instant electric shower works p6
 SITING AND PLUMBING p6
 Things you must do p6
 Things you must not do p8
 ELECTRICAL INSTALLATION p8
 CONNECTING TO SERVICES p9
 Preparation p9
 Cable entry p10

Pipe entry p10
 Plumbing p10
 Electrics p11
 Fitting the front cover p12
 Commissioning p12
 USER INFORMATION p12
 Maintenance p13
 Inspection p14
 FAULT FINDING p15 - p17
 GUARANTEE & SERVICE POLICY p17
 ENVIRONMENTAL INFORMATION p17
 Approved Spares Stockists p20
 Address and phone numbers p20

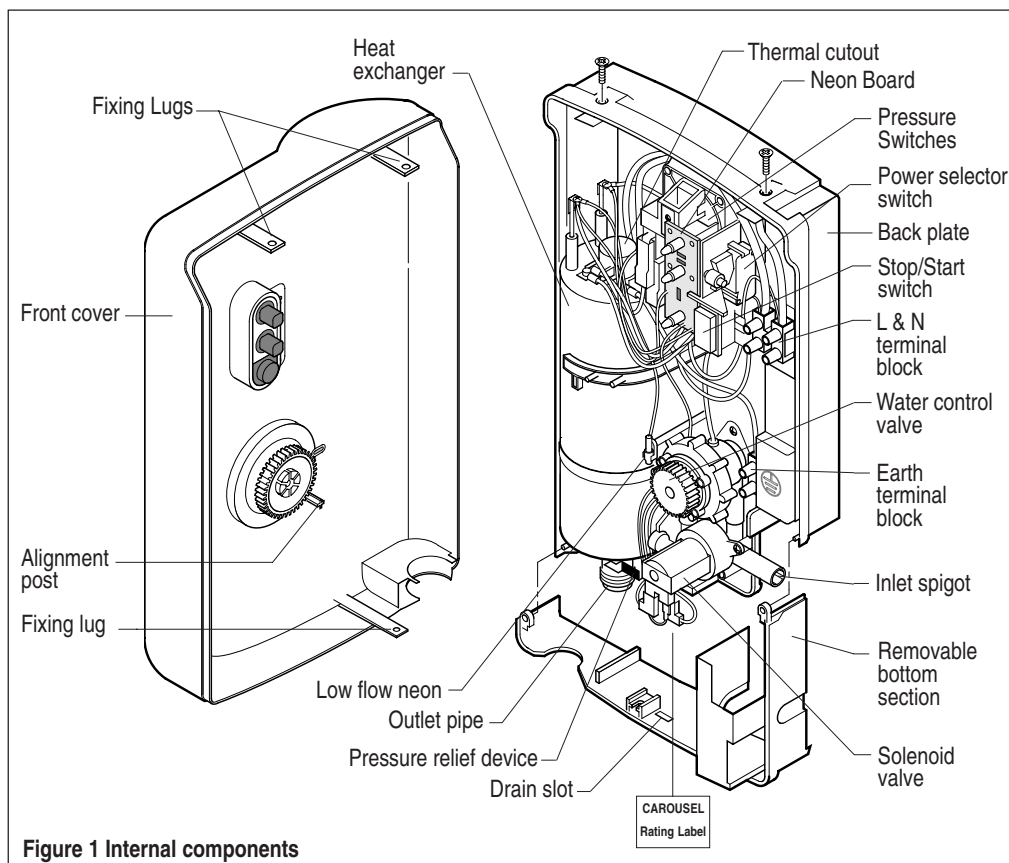


Figure 1 Internal components

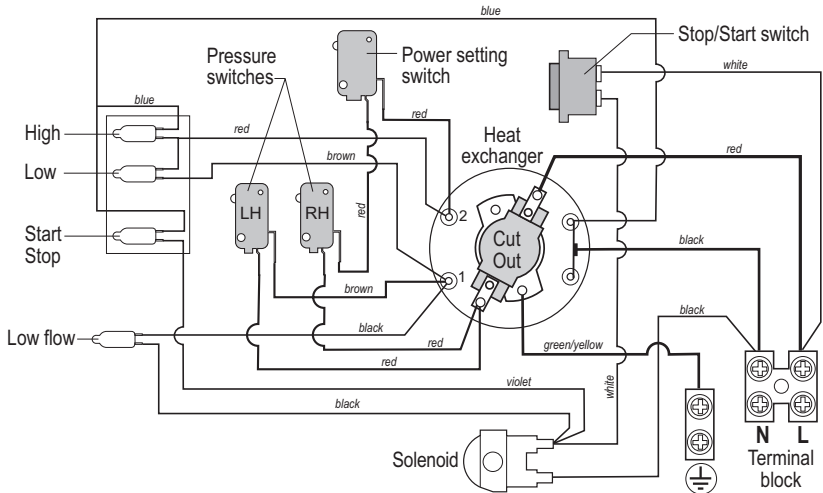


Figure 2 Wiring diagram 7.2 & 8.5kW

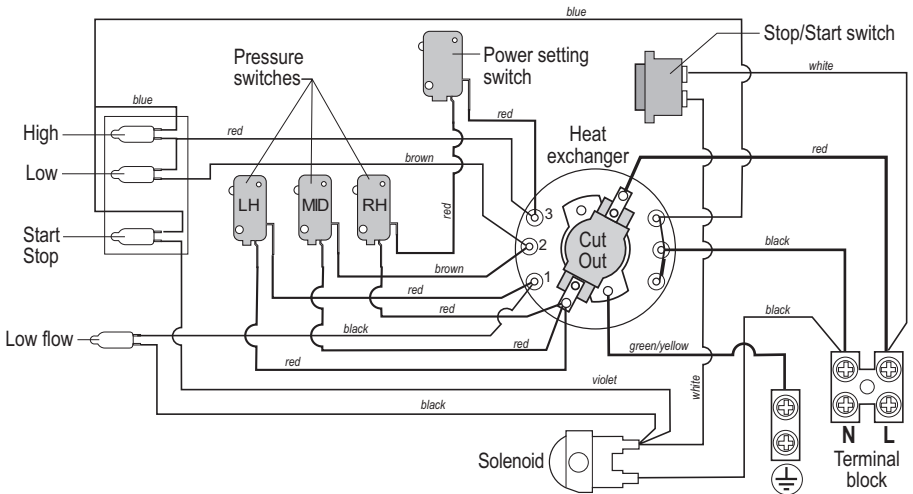


Figure 3 Wiring diagram 9.8 & 10.8kW

1 TECHNICAL SPECIFICATIONS

1.1 CONNECTIONS

- Inlet connection - 15mm ext. diameter spigot for compression fitting.
- Water entry point - Top, bottom, rear and right hand side.
- Cable entry point - Top, bottom and rear.

1.2 ELECTRICAL

Nominal Power Rating

Prod. Code	Power rating @ 240V	Power rating @ 230V
95 021 598	7.2kW (30A)	6.6kW (29A)
95 021 639	8.5kW (35A)	7.8kW (34A)
95 021 545	9.8kW (41A)	9.0kW (39A)
95 021 546	10.8kW (45A)	9.9kW (43A)

1.3 MATERIALS

- Backplate, cover and control knob - ABS
- Elements - Copper sheathed rod type

1.4 DIMENSIONS

- Height - 262mm
- Width - 185mm
- Depth - 107mm

1.5 STANDARDS AND APPROVALS

Complies with the requirements of EN 60335-2-35.

British Electrotechnical Approvals Board (BEAB) approved.

Complies with European Community Directives (CE).

2 IMPORTANT INFORMATION

2.1 Your shower is designed and tested to the very highest standards and complies fully with all of the relevant national/international standards for safety and reliability. The shower is manufactured in a BS EN ISO 9001:2000 -registered factory - your assurance of a quality product.

2.2 To ensure correct use and maintenance of the shower, please read and adhere to the following warnings and guidelines.

FOR INSTALLERS

2.3 The Installation must comply with the Building Regulations Part P and the Water Regulations. Where there is a new installation, or a replacement product is not identical to the one being replaced, the cable sizes, circuit protective devices, bonding and other requirements of the Building Regulations must be assessed by a (registered) qualified and competent electrician, who should carry out the installation taking into account the site conditions.

2.4 WARNING: THIS APPLIANCE MUST BE EARTHED.

2.5 Before removing your shower heater cover always ensure your shower heater is isolated from the electrical mains.

2.6 This product is splash-proof and is approved for use in shower cubicles and over baths. However, **do not install the shower heater in a position where the handset, in its normally-parked position, will consistently direct the spray over it.**

2.7 To comply with the Water Regulations a servicing valve must be

fitted in the pipework to the shower, in an accessible place. This will be of great benefit if any maintenance work or complete replacement of the shower is required later on.

2.8 This shower is designed for domestic use and is not vandal-resistant. If it is installed in an institutional or commercial situation, frequent inspection may be necessary, and our guarantee may be affected.

FOR USERS

2.9 If water emerges from anywhere other than the spray head outlets, do not use your shower, **TURN OFF ELECTRICITY** and refer to the Fault Finding section.

2.10 IT IS IMPORTANT TO CLEAN THE SPRAY PLATE REGULARLY, particularly in hard water areas, where this may be necessary as often as once a week. Failure to do so will affect the performance of the shower and in extreme cases may cause the pressure relief device (PRD) to operate - see Fig. 1 and Fault Finding (p15-17).

Refer to the handset user instructions for handset maintenance information.

2.11 The shower heater outlet, hose and handset act as a vent. They must not be blocked, obstructed, or have connected to them any fitting not approved by the manufacturers. The use of unapproved accessories may invalidate the guarantee and affect the performance and safety of the unit.

2.12 WARNING! DO NOT USE the shower if the HOSE IS DAMAGED in any way; for instance if the outer covering has parted to reveal the inner tube.

A damaged hose can suddenly restrict the

flow and result in extremely hot water being emitted from the spray head.

A damaged hose could completely block the outlet of the shower; the resulting increase in pressure could burst a weakened or damaged hose.

2.13 Do not install the shower in a situation where the water in it could freeze. Any damage caused by freezing will not be covered by the guarantee.

WARNING. If you suspect your shower is frozen, DO NOT SWITCH ON. If you have switched on, SWITCH OFF IMMEDIATELY. Refer to Fault Finding (p15-17).

2.14 Do not leave the infirm, disabled users, or young children unattended in the shower.

2.15 Before stepping into the shower, always test the temperature of the spray with your hand.

2.16 Switch off at the isolating switch after use. This is a safety procedure recommended with ALL electrical appliances.

2.17 As with all electrical appliances, it is advisable to have your shower and installation checked at least every two years by a competent electrician, to ensure that there is no deterioration due to age and usage.

2.18 Shampoo and shower gel should be stored using the gel hook and soap dish (where provided) and **must not be placed on top of the shower unit.**

HOW AN INSTANT ELECTRIC SHOWER WORKS

2.19 When the user starts the shower by pressing the stop/start button, the flow control lets in the water. If there is sufficient water pressure, the pressure switch will turn on the heating elements.

2.20 The element in the heat exchanger will start to heat the water and this takes typically 10-20 seconds.

2.21 By controlling the flow rate of water over the heating elements, it will be warmed up to the correct temperature. Reducing the flow rate will increase the water temperature and vice versa.

2.22 The shower has high and low settings that give further control of temperature.

2.23 The temperature of the incoming water varies, mains water can be as low as 5°C in the winter and as high as 20°C in the summer. This affects the output temperature of the shower which is only able to raise the temperature of the water by a given amount, depending upon the flow rate and power setting.

3 SITING AND PLUMBING

3.1 Spend some time planning exactly where to site the shower heater and riser rail. Bear in mind the height of people who will be using it.

THINGS YOU MUST DO

3.2 Check that the water pressure to the shower is adequate. If in doubt, consult a competent plumber.

Maximum and minimum pressures are:-

Maximum - 1 MPa

Minimum

- up to and including 9.5kW: 0.09 MPa

- over 9.5kW: 0.11 MPa

Running pressure with at least 5 l/min flow rate

The use of other services connected to the water pipe supplying the shower heater may cause the water pressure to drop below the minimum. Therefore this should be taken into account.

The following conversions may be useful:

1 bar = 14.5 lbf/in²

= 33.3 ft head of water.

= 10m head of water

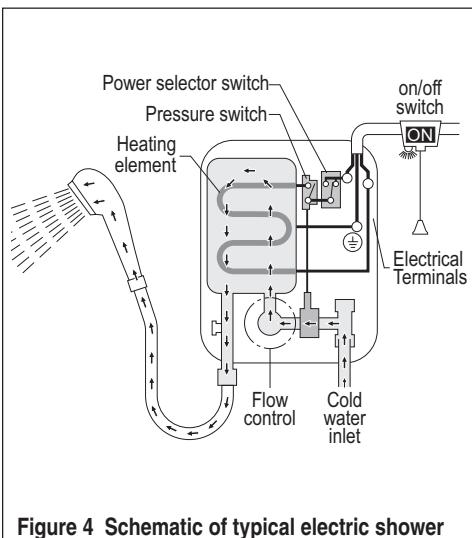
= 0.1 MPa

1 lbf/in² = 2.3 ft head.

3.3 Electric shower heaters are normally plumbed into the mains water (except for special low pressure versions). However, the shower heater may be fed from a storage tank as long as there is a sufficient head of water.

3.4 Mount the shower heater on a flat vertical wall with the outlet, to which the hose is connected, pointing downwards, using three suitable wall plugs and screws.

3.5 DO NOT place the shower heater where it will be in the direct spray from a normally-parked handset.



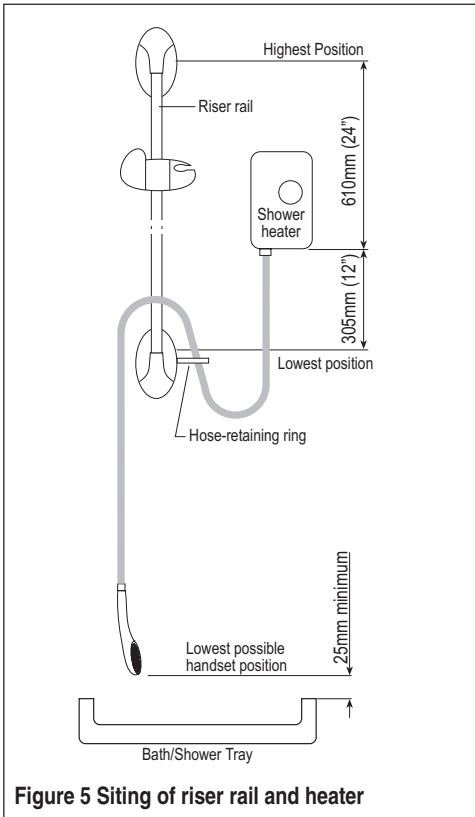


Figure 5 Siting of riser rail and heater

3.6 Allow room around the shower heater for removal of the front cover.

3.7 Position the riser rail close to the heater, not necessarily on the same wall (but bear in mind paragraph 3.5) so that in its highest parked position, the handset is not more than 610mm (24") above the bottom of the heater, and in its lowest position it is no lower than 305mm (12") below the heater - see Fig. 5.

3.8 If the handset can reach to within 25mm (1") of the spillover level of the bath, shower tray, wash basin, WC or bidet, then to prevent the possibility of back-siphonage of used water (Water Regulations Guide G15.14/R15.14) you must either:-

1. Fit a hose-restraining ring - see Fig. 5.
2. Fit a double-check valve in the pipework to the shower.

3.9 Decide from which direction your inlet pipe will enter the shower heater. There is a choice of entry from top, bottom, right hand side or rear - see Fig. 10.

3.10 Ensure there are no services such as gas, water pipes, electrical or telephone cables beneath the surface of the wall before drilling.

3.11 The water connection to the shower heater should be made using standard 15mm outside diameter copper pipe or a stainless steel pipe. The ends of the pipe should be cut square and be free from internal and external burrs and deep scratches.

3.12 Cut all necessary pipework to length with a pipe cutter and not a hacksaw, to minimise swarf - see Fig. 6.

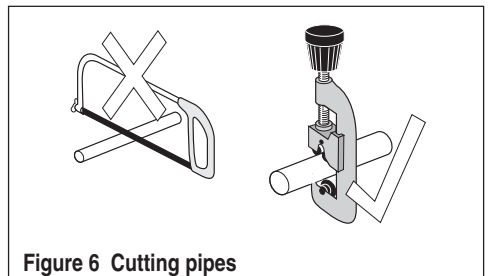


Figure 6 Cutting pipes

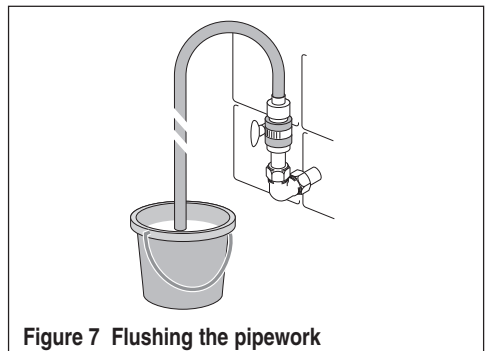


Figure 7 Flushing the pipework

3.13 Before making the final water connections to the shower heater, the pipework **MUST BE FLUSHED THOROUGHLY** to remove brick dust, swarf etc. which could severely damage the shower itself - see Fig. 7.

3.14 A Water Regulations Advisory Service listed servicing valve should be fitted in the water supply pipe to the shower. This is to allow the shower heater to be serviced without turning off the water supply to other appliances.

THINGS YOU MUST NOT DO

3.15 DO NOT use plumber's paste on any joints as this may damage the shower.

3.16 DO NOT use a blow-torch or other form of heat close to the shower heater as this may damage the nonmetallic parts.

3.17 DO NOT use excessive force, but do ensure adequate support, when making connections.

4 ELECTRICAL INSTALLATION

WARNING

4.1 This appliance must be earthed.

4.2 The installation must comply with the Building Regulations Part P. Where there is a new installation, or a replacement product is not identical to the one being replaced, the cable sizes, circuit protective devices, bonding and other requirements of the Building Regulations must be assessed by a (registered) qualified and competent electrician, who should carry out the installation taking into account the site conditions.

The following notes are for guidance only:

4.3 The shower heater must only be connected to a 230/240V ac supply.

4.4 Before making any electrical connections within the installation, make sure that no terminal is live. In doubt, SWITCH OFF the whole installation at the consumer unit or switch fuse (where fitted).

4.5 It is strongly recommended that a 30mA rcd is incorporated in the circuit, even if it is not required to comply with BS 7671.

4.6 A double-pole isolating switch with a contact separation of at least 3mm in each pole, must be incorporated in the circuit. This must have a mechanical indicator showing when the switch is in the OFF position. A neon lamp alone is not sufficient.

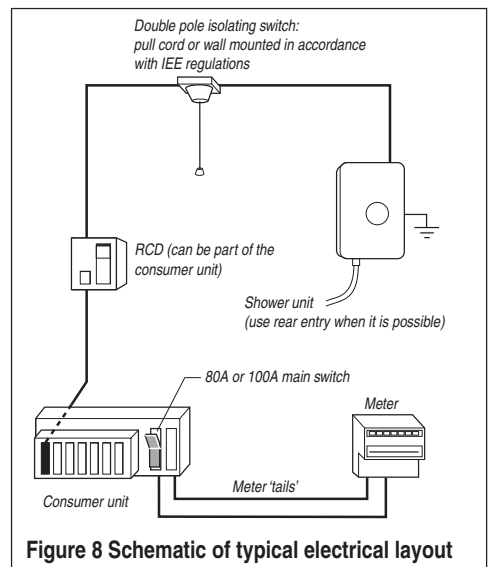


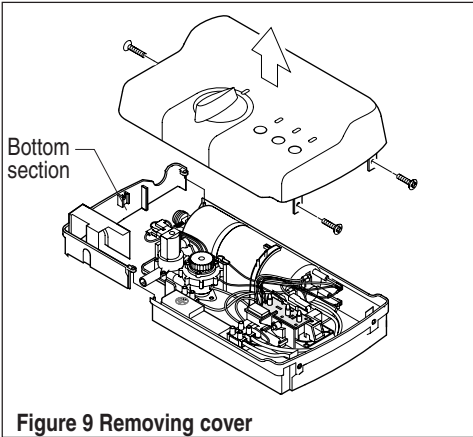
Figure 8 Schematic of typical electrical layout

5 CONNECTING TO SERVICES

PREPARATION

5.1 Remove the three fixing screws which hold the front cover onto the backplate. Note that the lower screw is longer than the upper two.

5.2 Carefully remove the cover which holds the control knob by pulling directly away from the backplate.



5.3 Carefully take out the removable bottom section of the backplate by lifting its sockets clear of the pegs on the backplate. This allows greater access for installing the cable and pipe. Keep it safe, as it could easily be damaged.

5.4 Decide which entry points you will use for cable and water pipe - see Fig. 9.

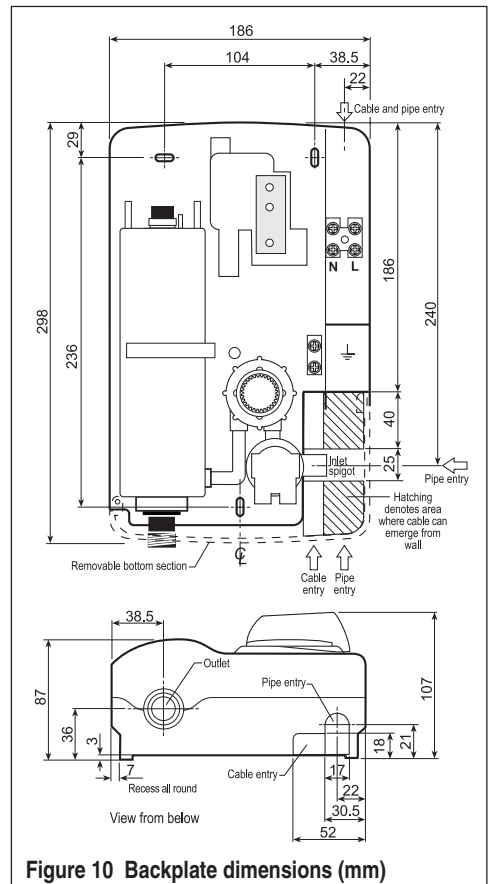
5.5 Decide where to mount the shower, refer to Section Three for guidance. Ensure that you leave enough room around the shower for removal of the front cover for inspection or servicing at a later date.

5.6 It is best to mount the shower on top of any tiling, so that it can be replaced easily in the future without requiring re-tiling. If you must tile around the

shower, DO NOT grout right up to the shower backplate as this makes subsequent removal difficult. Do not seal the shower to the wall using bath sealant, as the shower will not be harmed by water dripping behind it.

5.7 When the cable and pipe entry points have been decided, remove the relevant areas of the backplate and/or removable bottom section using a sharp knife and a round file.

CAUTION. These are not knock-outs.



CABLE ENTRY

5.8 Available entry points:- top, bottom and rear (rear is generally the easiest). Side entry is not possible. The thinned areas in the backplate and bottom section are suitable for a cable size up to 16mm².

5.9 For rear entry, cable must emerge from the wall only in the areas specified in Fig. 9. You will need at least 280mm of cable to emerge from the wall to allow connection to the terminal block.

PIPE ENTRY

5.10 Available entry points:- top, bottom, rear and right hand side (bottom is generally the easiest). The inlet spigot is smooth, 15mm diameter and is designed to accept a 15mm compression fitting. This must be an elbow for top, bottom and rear entry, and a straight connector for side entry. You should use compression rings (olives) made of copper rather than brass, as copper will crush down better onto the plastic spigot. Push-fit connectors cannot be used.

5.11 Rear Entry. If the pipework is to enter from the rear, you must cut away the wall from around the pipe to allow room for the nut on the compression elbow to be recessed into the wall - see Fig. 11. The pipework must be connected to the elbow BEFORE the shower is fitted to the wall; if you were to fix the pipe in place first, you would not be able to get a spanner onto the compression nut.

5.12 Depending on the type of compression elbow used, you may need to remove a small part of the bottom section of the backplate in order for it to fit over the elbow nut.

5.13 Top Entry. You must connect the ELBOW to the INLET SPIGOT first; if you were to connect the elbow to the pipe first,

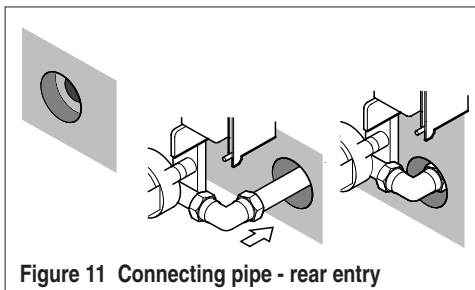


Figure 11 Connecting pipe - rear entry

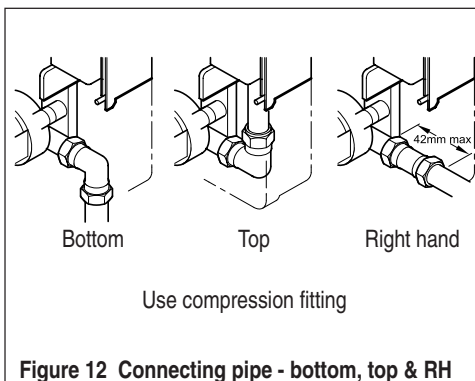


Figure 12 Connecting pipe - bottom, top & RH

there would not be enough room within the pipe channel in the shower to manoeuvre the elbow onto the spigot.

5.14 Side Entry. You must use a straight connector with an overall length (including nuts and olives) of less than 42mm.

PLUMBING

5.15 Decide where to connect to the water mains for your feed to the shower. Ensure that the pipe you have selected is not a gas pipe (they can look similar) or a hot water pipe or from a cold water storage tank (unless you have sufficient head - see 3.2 & 3.3).

5.16 Cut the necessary pipework to length, assemble and offer up to the installation before making any soldered joints. Ensure that the pipe is the correct length, as shortening it can be difficult once joints have been made.

ELECTRICS

5.17 Carry out any cutting with pipe cutters in preference to a hacksaw, to minimise swarf. Use 15mm compression fittings, preferably with copper compression rings (olives), for the connection to the shower heater.

5.18 Remember to incorporate a servicing valve and, if required, a double-check valve - see 3.8 & 3.14.

5.19 Locate your stop cock and turn off the water supply. Check that the pipe you intend tapping into no longer carries water, by opening a tap that the pipe supplies.

5.20 Make your connection to the pipe. If it is on a low-lying loop there may be some water left in the pipe, so be prepared for some flow of water. Make all joints except that to the shower heater before flushing.

5.21 It is essential to flush the system in order to clear debris, particles of solder and swarf which could enter and damage components within the shower heater, prior to connecting to the shower - see Fig. 7. It may be best to take the shower off the wall to do this.

5.22 Turn the water off after flushing, either at the stop cock or by using your servicing valve.

5.23 Remount the shower firmly and make the final water connection to it. Turn the water on again.

5.24 No water will flow from the shower outlet until the electricians are connected, as the shower incorporates a solenoid valve.

5.25 Check for leaks in all pipework, and rectify as necessary.

5.26 When the shower fitting is complete the riser rail and accessories can be fitted, please refer to separate instructions in accessory box.

5.27 Design your system as outlined in Section Three. Lay the cable in your chosen route, ensuring that you have ample length.

5.28 Leave the connection to the consumer unit or switch-fuse until last.

5.29 Remember, when working on electrical components, ensure they are not live. If in any doubt, switch off at your main switch at the fuse board or consumer unit.


5.30 If you find it necessary to increase access for fitting the cable, the shower can be unplumbed at its inlet pipe and temporarily removed from the wall.

5.31 Feed the cable through the opening in the backplate below the terminal block.

5.32 Make sure that you route the cable so that the bottom section of the backplate will fit in place.

5.33 Ensure that all three screws hold the shower backplate to the wall firmly.

5.34 Strip the outer insulation sheath back as required.

5.35 Strip the insulation from the cores and make connections to the LIVE (L) (brown or red), NEUTRAL (N) (blue or black) and EARTH  terminal block. The earth wire must be sleeved green/yellow. Make sure that the cores of the cable lie tidily and do not touch any metallic part of the shower. They must not be under strain. There is no cable clamp.

5.36 Ensure that the cable does not foul the area above the bottom removable section, where the knob gear will fit when the front cover is fitted into place.

5.37 Make sure that all the terminal block screws are tightened very firmly. Replace the bottom section of the backplate.

FITTING THE FRONT COVER

5.38 Turn the valve fully clockwise (open). Turn the water control knob in the cover so that the pointer is at the 7 o'clock position.

5.39 Carefully fit the cover to the backplate, ensuring that the lugs slide into their sockets. You may have to adjust the water control knob slightly to enable its gear to mesh with that of the control valve.

NOTE: The alignment post on the underside of the cover fits into the recess in the centre of the valve gear to aid the fitting of the cover.

5.40 Fit the cover fixing screws. The longer one is for the lower fixing point. You may have to push the front cover firmly against the backplate seal, to enable the screws to locate properly.

COMMISSIONING

Once the installation of the shower is complete, the following tests should be carried out to ensure the installation instructions have been correctly adhered to and the shower is functioning as it should.

5.41 Secure the handset on the riser rail where it can spray safely. Press 'Low' button.

5.42 Turn the water control knob fully clockwise.

5.43 Turn the shower mains isolating switch to ON. Turn on water isolating valve (if applicable).

5.44 Press the 'Start Stop' button, the 'Start Stop' and the 'low flow' lights should come on.

5.45 Slowly turn the water control knob anticlockwise. There may be gurgling noises as water fills the heat exchanger, then water will start to flow from the handset. Press the 'High' button.

5.46 Turn the water control knob further anticlockwise until the 'low flow' light goes out. The elements are now heating.

5.47 The temperature of the spray should now increase.

5.48 Adjust the water control knob to give the desired temperature.

6 USER INFORMATION

6.1 To turn on and set temperature:

1. Turn the shower isolating switch to ON.
2. Press the 'Low' button. ('High' may be selected once flow and temperature have been established.)
3. Turn the water control knob anticlockwise. Water will flow from the handset, power light will come ON.
4. Select either 'High' or 'Low' and adjust the water control knob to achieve preferred shower temperature.

WARMER

DECREASE FLOW:-

Turn water control knob clockwise and/or select 'High' power setting.

COOLER

INCREASE FLOW:-

Turn water control knob anticlockwise and/or select 'Low' power setting.

5. Make adjustments carefully. Give the shower a few seconds after each adjustment to stabilise, then check the temperature by hand before stepping into the shower.

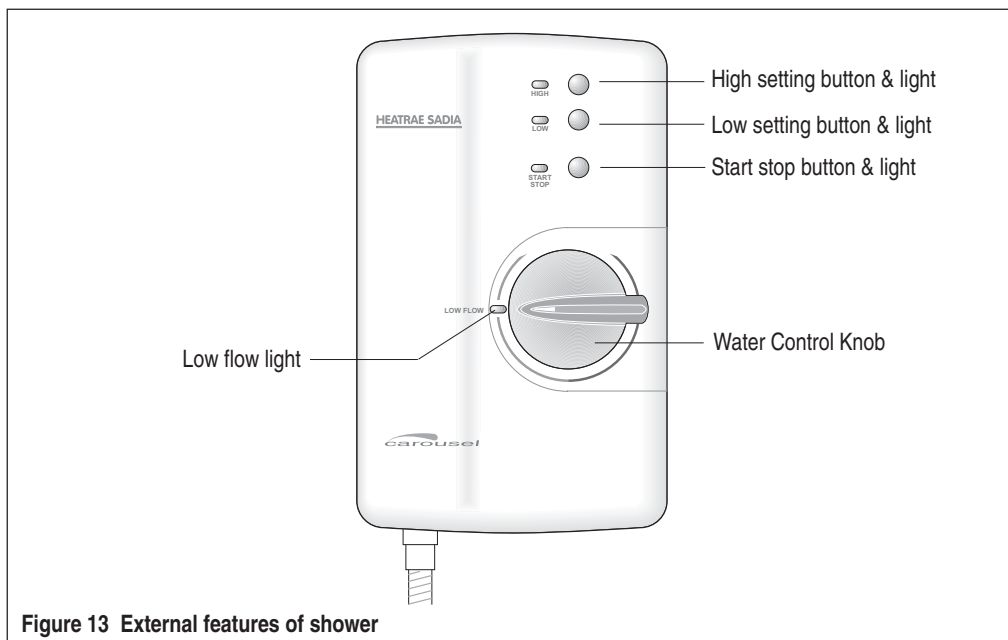


Figure 13 External features of shower

6. The 'LOW' power setting uses less power and can be used in the warmer periods when incoming water temperature is higher. They can also be used to obtain a cooler spray without adjusting the water control knob.
7. If 'low flow' light comes on it indicates the shower is not heating; turn the water control valve anticlockwise.

A cold shower cannot be obtained.

6.2 To turn off the shower:

1. Press the Start Stop button.
2. Turn the shower isolating switch to 'Off'.

6.3 Indicator Lights

1. 'START STOP'
ON when shower is operating.
OFF before 'Start Stop' is pressed.
2. 'LOW FLOW'

ON when the water control knob is turned too far clockwise, the pressure switch turns off the heating element. The shower is not heating.

OFF when shower is heating. Normal condition.

3. 'HIGH'

ON when high setting is selected.

4. 'LOW'

ON when low setting is selected.

*Please note that this shower is **not** thermostatic, it will not keep spray temperature constant whatever the change in external influence.*

MAINTENANCE

Cleaning the Handset

Also refer to instructions supplied with handset.

6.4 To obtain the best performance from your shower, the handset must be cleaned

regularly, maybe as often as once a week in hard water areas.

6.5 This is because the fine outlet holes can become blocked with scale and this will affect the pattern of the spray and cause the heater to perform poorly.

6.6 The easiest and most effective method of cleaning your handset, regardless of which type you have with your shower, is to soak it in a proprietary descalant. For best results the handset should be left to soak overnight.

6.7 The handset with rubber spray outlets can be cleaned by simply rubbing one's hand over them firmly to dislodge the scale.

INSPECTION

6.8 We recommend that in the interests of safety the shower and its electrical installation is checked by a qualified electrician at least every two years.

7 FAULT FINDING

In the unlikely event of a problem, consult the trouble shooting chart below.

For your particular symptom follow the suggested remedies in the order given. If you are unable to remedy the problem, **CONTACT YOUR INSTALLER IN THE FIRST INSTANCE.**

Do not attempt any electrical or plumbing work unless you are competent to do so.

SYMPTOM	POSSIBLE CAUSE	REMEDY
1. No flow or not enough flow.	A. Electrical power to shower heater off.	A. Ensure that the electricity supply to the shower is switched on, and 'Start Stop' light is lit.
	B. Water control knob is turned fully clockwise.	B. Turn water control knob anticlockwise.
	C. Water turned off at mains or servicing valve.	C. Ensure water is fully turned on at the mains and at servicing valve in circuit.
	D. SHOWER HEATER SUSPECTED OF BEING FROZEN.	D. If so, DO NOT USE. 1. Switch off immediately at isolating switch. 2. Turn water off at servicing valve (if fitted) or at stop cock. 3. Contact our Service Department.
	E. There may be an outlet blockage.	E. Disconnect handset from hose and run the shower. 1. If water flows, then handset is blocked with scale or debris. Remember that disturbances to plumbing elsewhere in your house, or in the street, can dislodge debris which can find its way to the shower. Clean the handset and spray rings/plate thoroughly. See Maintenance, Section 6. 2. If the water does not flow, remove hose from the shower outlet. 2a If the water flows then the hose is blocked. This could be due to damage, severe kinking or even an obstruction. Replace with a new hose. 2b If the water does not flow, there is a blockage in the plumbing to the shower, or the shower itself. Contact our Service Department if the shower is considered to be the problem.
	F. Cover/knob fitted incorrectly, limiting knob movement.	F. Switch off at isolating switch. Remove front cover and refit as in paragraph 5.38, taking care to position the knob correctly.
2. Flow adequate but water too cold.	A. Shower heater is on the 'LOW' power setting.	A. Ensure that the shower is on 'HIGH' setting, where applicable.

SYMPTOM	POSSIBLE CAUSE	REMEDY
2. Flow adequate but water too cold (continued)	B. Water flow too high.	B. Reduce the flow by turning the water control knob clockwise slowly. NOTE: If the knob is turned too far clockwise, the safety pressure switch inside the shower will turn off the heating elements. This is apparent when the indicator light on the shower goes out and/or the 'low flow'/'reduce temp' light (where applicable) comes on. If this happens, turn the knob anticlockwise until the light(s) revert to their original state.
3. Water too hot.	A. Water flow too low.	A. Increase the flow by turning the water control knob anticlockwise slowly.
	B. Sprayplate blocked with scale and debris.	B. Clean the handset sprayplate.
	C. Water pressure too low.	C. Switch to 'low' setting, if applicable.
	D. Cover/knob fitted incorrectly, limiting knob movement.	D. Switch off at isolating switch. Remove front cover and refit as in paragraph 5.38, taking care to position the knob correctly.
4. Water runs from around hose. Pressure relief device (PRD) has operated due to excess pressure build-up.		Turn off isolating switch and servicing valve.
	A. Handset Blocked.	A. Clean out the sprayplate as in 'Maintenance' Section 6. Call a service engineer to remove the front cover and reset the PRD by removing the bent bracket, pushing the black outlet boss back into the heat exchanger, and refitting a new bracket. If the fault occurs again without the hose being damaged or the handset blocked, contact our Service Department.
	B. Hose damaged or kinked.	B. Replace kinked or damaged hose and reset as in 'A'. If the fault occurs again without the hose being damaged or the handset blocked, contact our Service Department.
5. Temperature varies while showering, cycling hot/cold.	A. Thermal cut-out is operating, normally making a 'click' as it does so.	A. Increase the flow by turning the water control knob anticlockwise. Clean the handset and sprayplate.
	B. Input pressure is below the minimum required (see 3.2). Flow is unstable.	B. Ensure that your stop cock and servicing valve are fully open. If they are, ask your installer or the local water company to check that the running pressure is above the minimum required (see 3.2).

SYMPTOM	POSSIBLE CAUSE	REMEDY
6. No flow. 'Start Stop' indicator not lit. Isolating switch 'On' but its neon not lit.	A. Cartridge fuse or miniature circuit breaker (mcb) has operated in your fusebox (or consumer unit) or switch fuse.	A. Switch off power and isolating switch. Renew fuse or reset mcb. If they operate a second time, contact a qualified electrician.
	B. Residual current device (rcd) (or earth leakage circuit breaker) has operated.	B. Follow the same procedure as above. If this has happened with a 'split load' consumer unit on initial installation, check that the neutral core of the shower feed cable is connected to the 'protected' neutral bar of the unit.

7 FAULT FINDING *continued*

Where a fault cannot be corrected by either yourself or your installer, contact our Service Department, (address and phone number on back page), who will try to help over the phone. If necessary, they can arrange a visit by one of our service engineers. We find that the vast majority of problems can be solved by reference to these fitting instructions or by discussion over the phone. In the event that our engineer is called and finds that the fault is caused by faulty installation or usage, or lack of reasonable maintenance, a call-out charge will be made.

8 GUARANTEE & SERVICE POLICY

This product is guaranteed against faulty materials and manufacture for a period of 2 years from the date of purchase provided that:-

8.1 The unit has been installed in accordance with the Installation and User Instructions and all relevant Codes of Practice and Regulations in force at the time of installation and that all necessary controls and safety valves have been fitted correctly.

8.2 Any valves and controls are of

Heatrae Sadia recommended type and specification.

8.3 The unit has not been modified or tampered with in any way and has been regularly maintained as detailed in the Installation and User Instructions.

8.4 The unit has been used only for heating potable water.

The unit is not guaranteed against damage by frost and the inner container with integral heating element is not guaranteed against excessive scale build-up.

This guarantee in no way affects the statutory rights of the consumer.

The policy of Heatrae Sadia is one of continuous product development and, as such, we reserve the right to change specifications without notice.

9 ENVIRONMENTAL INFORMATION

Heatrae Sadia products are manufactured from many recyclable materials. At the end of their useful life they should be disposed of at a Local Authority Recycling Centre in order to realise the full environmental benefits.

HEATRAE SADIA

The quality name in water heating

APPROVED SPARES STOCKISTS

Electric Water Heating Co.,

2 Horsecroft Place, Pinnacles,

Harlow, Essex CM19 5BT

Tel: 0845 0553811

E-mail: sales@ewh.co.uk

Eyre & Elliston

Unit 9 & 10, Chantry Gate Business Centre,

Springfield Road, Hayes,

Middlesex

Tel: 020 8573 0574

Parts Center

Network 65 Business Park, Bentley Wood Way,

Burnley, Lancashire BB11 5ST

Tel: 01282 834403

www.partscenter.co.uk

Newey & Eyre

Specialists Products Division

Please contact your local branch.

UK Spares Ltd.,

Tower Lane, Warmley,

Bristol BS30 8XT

Tel: 0117 961 6670

William Wilson Ltd.,

Unit 3A, 780 South Street,

Whiteinch, Glasgow G14 0SY

Tel: 0141 4341530

Due to continuous improvement and updating, specifications may be altered without prior notice.

Heatrae Sadia

Hurricane Way,

Norwich,

Norfolk NR6 6EA.

www.heatraesadia.com

Service

Tel: (01603) 420330

Fax: (01603) 420349

email: service@heatraesadia.com

Sales

Tel: (01603) 420110

Fax: (01603) 420149

email: sales@heatraesadia.com