



# **ATLANTA**

## **DECORATIVE RADIANT NATURAL VENT GAS FIRE**

**Installation and Maintenance Instructions  
Hand these instructions to the user**

**Model No. FAVR\*\*MN is only for use on Natural Gas (G20) at a  
supply pressure of 20 mbar in G.B. & I.E.**

**\*\* denotes fascia variant**

# CONTENTS

	<b>PAGE</b>
<b>Section 1 Information and Requirements</b>	
1.0 Appliance Information	3
1.1 Conditions of Installation	4
1.2 Flue and chimney suitability	4
1.3 Fireplace / surround suitability	4
1.4 Shelf position	5
1.5 Flue / chimney inspection	5
1.6 Fire place opening and chimney catchment	6
1.7 Fitting to fireplaces with existing chair-brick and conventional brick-built chimneys	6
1.8 Fitting to pre-cast flue installations	7
1.9 Fitting to pre-fabricated twin wall metal flue boxes	7
1.10 Hearths	7
1.11 Spillage Monitoring system	7
<b>Section 2 Installation of Fire</b>	
2.1 Unpacking the fire	8
2.2 Installing the fire box	8-11
2.3 Gas tightness and burner pressure	11
<b>Section 3 Commissioning</b>	
3.1 Lighting the appliance	12
3.2 Checking for clearance of combustion product	12-13
<b>Section 4 Maintenance</b>	
4.1 Removal of the Burner Assembly	14
4.2 Removal of the Piezo Igniter	14
4.3 Removal of the Control Valve	14
4.4 Removal of the Pilot Assembly	15
4.5 Removing & refitting of the glass frame	15-16
4.6 Cleaning	16

**Model number FAVR\*\*MN**, is Manufactured by:-

\*\* denotes trim / fret variant

BFM Europe Ltd  
Trentham Lakes  
Stoke-on-Trent Staffordshire  
ST4 4TJ

Telephone 01782 339000

# SECTION 1

## INFORMATION AND REQUIREMENTS

### 1.0 APPLIANCE INFORMATION

Main injector (1 off) Pilot Type	Stereomatic Injector Elbow Size 62 Copreci 21100/141
Max. Gross Heat Input:	4.7 kW
Min. Gross Heat Input:	2.5 kW
Gas Rate:	0.44 m <sup>3</sup> /hr
Cold Pressure:	20.0+/-1.0 mbar (8.0 +/- 0.4 in w.g.)
Ignition	Push-button Piezo
Electrode Spark Gap	4.0mm
Weight	16.0kg

### Fire box dimensions (without trim)

Width	470mm
Height	583mm
Overall Depth	165mm

### Trim dimensions

Overall width	483mm
Overall height	620mm
Overall depth	32mm

### Spacer dimensions

Overall width	530mm
Overall height	643mm
Overall depth	83mm

### Inset Depth

Flush fit (from mounting face to rear)	128mm Minimum
3" Black Spacer (from mounting face to rear)	27mm
Gas Connection	8mm Compression fitting (supplied with fire)

### Efficiency Declaration

The efficiency of this appliance has been measured as specified in BS 7977-1 : 2002 and the result is 42%. The gross calorific value of the fuel has been used for this efficiency calculation. The test data from which it has been calculated has been certified by Advantica. The efficiency value may be used in the UK Government's Standard Assessment Procedure (SAP) for energy rating of dwellings.

# INSTALLATION REQUIREMENTS

## 1.1 CONDITIONS OF INSTALLATION

It is the law that all gas appliances are installed only by a CORGI Registered Installer, in accordance with these installation instructions and the Gas Safety (Installation and Use) Regulations 1998 as amended. Failure to install appliances correctly could lead to prosecution. It is in your own interest and that of safety to comply with the law.

The installation must also be in accordance with all relevant parts of the Local and National Building Regulations where appropriate, the Building Regulations (Scotland Consolidation) issued by the Scottish Development Department, and all applicable requirements of the following British Standard Code of Practice.

1. B.S. 5871 Part 3 Installation of Decorative Fuel Effect Gas Fires
2. B.S. 6891 Installation of Gas Pipework
3. B.S. 5440 Parts 1 & 2 Installation of Flues and Ventilation
4. B.S. 1251 Open fire place components
5. B.S. 715 Metal flue pipes for gas appliances
6. B.S. 6461 Part 1 Installation of Chimneys and flues
7. B.S. E.N. 1858 Clay Flue Blocks and Terminals

### Ventilation Requirements

For use in G.B. purpose built ventilation is not normally required for this appliance.

For use in I.E. this appliance must be installed in accordance with the rules in force and used only in a sufficiently ventilated space. Please consult document I.S. 813 : 1996 Domestic Gas Installation, issued by the National Standards Authority of Ireland.

## 1.2 FLUE AND CHIMNEY SUITABILITY

This appliance is designed for use with conventional brick built or lined chimneys and fabricated flues. It is also suitable for use with pre-cast flue blocks conforming to B.S. E.N. 1858 and metal flue boxes conforming to BS 715. All flues must conform to the following minimum dimensions.

<b>Minimum diameter of circular flues</b>	<b>125 mm</b>
<b>Minimum effective height of all flue types</b>	<b>3 metres</b>

## 1.3 FIREPLACE / SURROUND SUITABILITY

The fire must only be installed on a hearth it **must not be installed directly onto carpet or other combustible floor materials.**

The fire is suitable for fitting to non-combustible fireplace surrounds and proprietary fireplace surrounds with a temperature rating of at least 150°C.

**If a heating appliance is fitted directly against a wall without the use of a fire surround or fireplace all combustible material must be removed from behind the trim. Soft wall coverings such as blown vinyl, wallpaper etc. could be affected by the rising hot air and scorching and/or discoloration may result. Due consideration should be made to this when installing or decorating.**

## 1.4 SHELF POSITION

The fire may be fitted below a combustible shelf providing there is a minimum distance of 200mm above the top of the fire and the shelf does not project more than 150mm. If the shelf overhangs more than 150mm the distance between the fire and the shelf must be increased by 15mm for every 25mm of additional overhang over 150mm.

## 1.5 FLUE / CHIMNEY INSPECTION

Before commencing installation, a flue or chimney should be inspected to ensure that all the following conditions are satisfied.

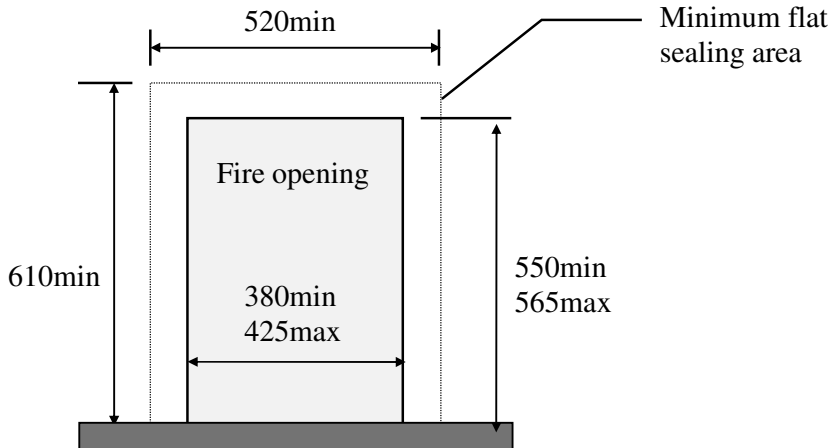
1. Check that the chimney / flue only serves one fireplace and is clear of any obstruction. Any dampers or register plates must be removed or locked in the open position.
2. Brick/stone built chimneys or any chimney or flue which has been used for an appliance burning fuel other than gas must be thoroughly swept. The base of the chimney / flue must also be thoroughly cleared of debris etc.
3. Any under-floor air supply to the fireplace must be completely sealed off. Ensure that the inside of the chimney / flue is in good condition along its length and check that there is no leakage of smoke through the structure of the chimney during and after the smoke pellet test. **With pre-cast flues it is especially important to check the inside of the flue for extruded cement / sealant protruding from the joints between the flue blocks. If present, these should be removed by rodding the flue before proceeding with the installation.**
4. **Using a smoke pellet, check that there is an up-draught in the chimney / flue and that the smoke can be seen issuing from the terminal / chimney pot outside. There must be no leakage of smoke through the structure of the chimney during or after the smoke pellet test and it is important to check inside upstairs rooms adjacent to the chimney / flue.** Check the chimney pot / terminal and general condition of the brickwork or masonry. If the chimney or flue is in poor condition or if there is no up-draught do not proceed with the installation. If there is a history of down-draught conditions with the chimney / flue, a tested and certificated flue terminal or cowl suitable for the relevant flue type should be considered.

**A spillage test must always be carried out during commissioning of the appliance.**

## 1.6 FIRE PLACE OPENING AND CHIMNEY CATCHMENT SPACE

The front opening of the fireplace must be between 380 and 425 mm wide, and between 550 and 565mm high. If the opening exceeds these dimensions then a surround must be constructed from suitable non-combustible material to produce a correct size opening. Any surround must be suitably sealed to the fireplace to prevent leakage. See fig.1

**Fig.1**

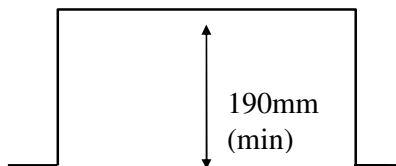


A minimum sized builders opening with a flat rear face and no chair brick fitted must be a minimum depth of 190mm to accommodate any debris which may fall from the chimney.

See fig. 2 below.

**Fig.2**

Builders opening with flat rear face



## 1.7 FITTING TO FIREPLACES WITH EXISTING CHAIRBRICKS AND CONVENTIONAL BRICKBUILT CHIMNEYS

This appliance is suitable for use in fireplaces fitted with an existing chairbrick without the need for removal of the chairbrick, providing the minimum depth of the fireplace exceeds 190mm. If the depth is less than 190mm then the spacer (optional) must be used to give a minimum clearance from the rear of the fire to the rear of the chairbrick of at least 90mm to allow sufficient space for the collection of debris which may fall down the chimney. The fireplace must be checked to ensure that no part of the chairbrick is within 50mm of the flue outlet of the fire when installed.

## 1.8 FITTING TO PRE-CAST FLUE INSTALLATIONS

**To install the fire box in to pre-cast flue starter blocks, there must be at least 105mm from the mounting face of the fire to the rear of the pre-cast flue starter block** to allow sufficient space for debris collection. If this dimension is less than 105mm then the spacer (optional) must be used to increase the depth to at least 105mm from the mounting face of the fire. It is important to consider this depth when choosing a fire surround as the thickness of the fire surround must be sufficient to give a total depth of **at least 128 mm to the rear of the starter block**, otherwise there will be insufficient depth. This can be reduced to 52mm if the optional black spacer is used. To increase this depth the fire surround may be packed away from the wall using suitable non-combustible board, providing the installation is correctly sealed. If in doubt about the suitability of the fire contact BFM Europe Ltd. for advice before proceeding.

It is important to ensure that the pre-cast flue is in good condition and is free from extruded mortar or sealant from between the flue blocks.

## 1.9 FITTING TO PRE-FABRICATED TWIN WALL METAL FLUE BOXES

The appliance may be fitted to twin wall metal flue boxes conforming to the constructional requirements of BS 715, (for example the Selkirk LFE 125 box). The box must have a minimum flue diameter of 125mm internal and minimum internal dimensions of 380mm deep by 650mm high by 480mm wide. There are no maximum dimensional requirements for the box. The top face of the box must be insulated with a minimum thickness of 50mm of non-combustible mineral wool insulation or similar material. The flue box must stand on a non-combustible base of minimum thickness 12mm.

## 1.10 HEARTHES

This appliance must only be installed on to a concrete or non-combustible hearth. The hearth material must be a minimum thickness of 13mm with the top surface at least 50mm above the floor. The hearth must be fitted symmetrically about the fire opening and have a minimum width of 760mm and a minimum projection of 125mm forwards from the fire opening.

## 1.11 SPILLAGE MONITORING SYSTEM

This appliance is fitted with an atmosphere sensing spillage monitoring system in the form of an oxygen sensing pilot. This is designed to shut the fire off in the event of a partial or complete blockage of the flue causing a build up of combustion products in the room in which the fire is operated. **The following are important warnings relating to this spillage monitoring system.**

- 1) The spillage monitoring system must not be adjusted by the installer.
- 2) The spillage monitoring system must not be put out of operation.
- 3) When the spillage monitoring system is exchanged only a complete original manufacturers part may be fitted. It is not possible to replace individual parts on the pilot system on this appliance, only a complete pilot assembly (including the thermocouple) may be fitted.

## SECTION 2 INSTALLATION OF FIRE

### 2.1 UNPACKING THE FIRE

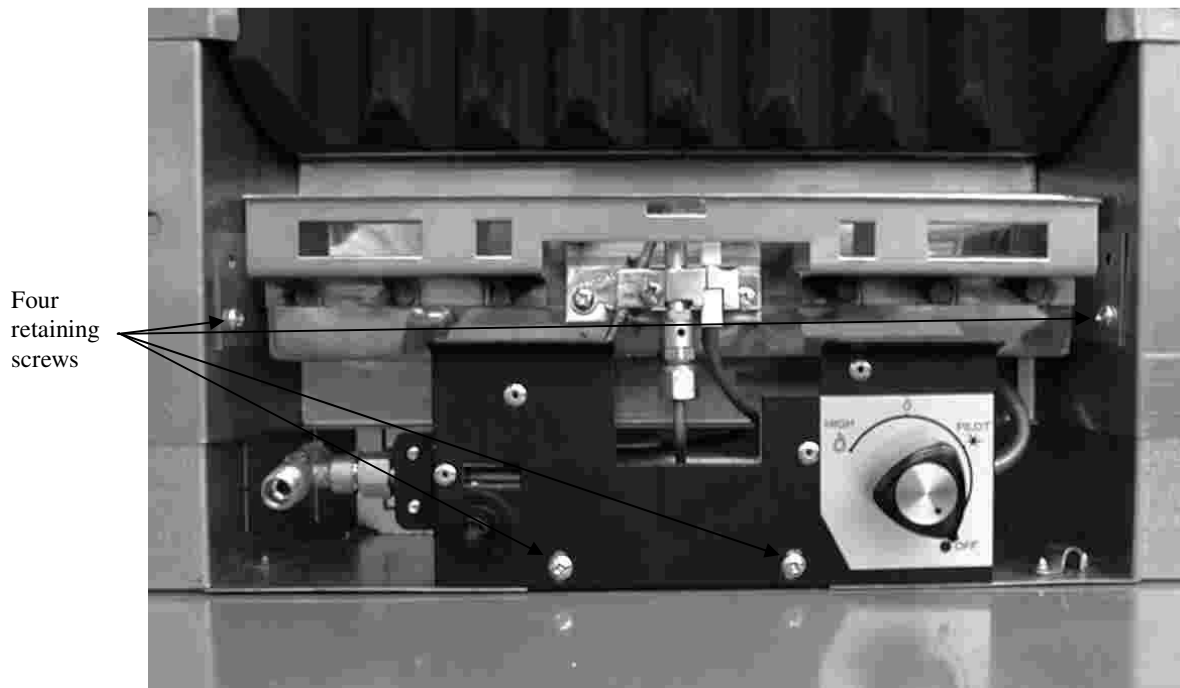
Carefully lift the fire out of the carton. Remove the loose item packaging carefully from the front of the appliance. Check the contents as listed :-

#### Packing Check List

1off	Fire box / burner assembly
1off	Trim
1off	Loose items bag.
1off each	User instruction book and Installation book.

### 2.2 INSTALLING THE FIRE BOX

- Remove the Top Infill Panel, Pilot Heat Shield and Glass Frame as shown in section 4 to allow access to the burner
- Ensure that the hearth is protected from damage and carefully lift the firebox into the fire opening, then slide it back into position. Check that the firebox flange fits flush to the sealing face of the fire surround or wall with no gaps present.
- Remove the four retaining screws securing the burner to the firebox. The base of the burner unit can now be pulled forward, allowing the burner to be removed outwards and downwards from the firebox. See below.





- d) The gas supply can be brought in to the firebox from either the left-hand rear or the left-hand side.
- e) Carefully withdraw the firebox from the opening to enable the gas supply and fire fixing to be completed.
- f) The inlet pipe should be connected to the isolating / inlet elbow of the appliance using 8mm rigid or semi-rigid metal tubing. There must be no soldered joints within the firebox.

**Note : Before breaking into the gas supply a pressure drop test should be carried out to establish that the existing pipework is sound.**

Depending on the spacer option selected, (flush fit or 3" black spacer) there is a choice of methods of fixing the firebox which are provided to enable the installer to deal with any type of installation.

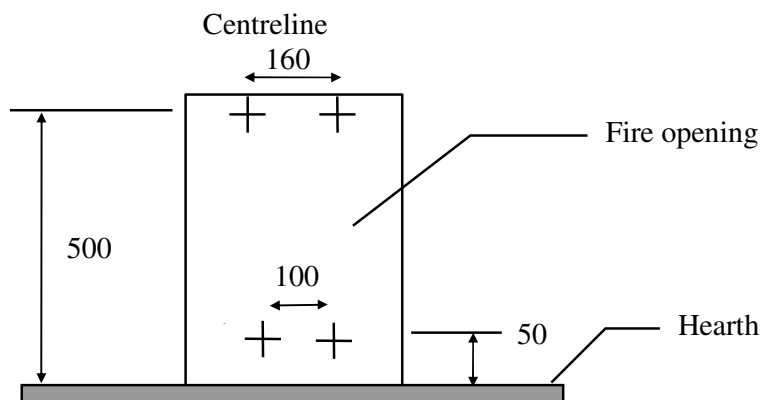
**The preferred method of fixing which is suitable for almost all situations is the cable fixing method which is described in the following section in detail.**

The other methods are listed below.

- 1) If flush fit option is used, the fire may be secured using the cable method as Described below, or alternatively, in installations where the cable method is not suitable (eg. loose masonry in rear of fire opening), the fire can be secured to the fire surround using four screws and wall plugs through the holes provided.
- 2) If the 3" black spacer is used, secure fire box to spacer using 4 off M5 x 6 screws. Make sure there is a good seal between the firebox and spacer and spacer and surround.

To fit using the **preferred** cable method proceed as follows-

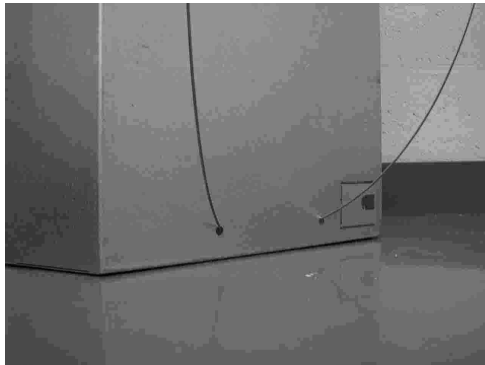
- g) Mark out and drill 4 off No 14 (6mm) holes in the back face of the fire opening in the positions shown below.



- g) Fit the wallplugs provided and screw the fixing eyes securely into the rear of the fire opening. If the clearance at the rear of the fire is at the minimum specified for a precast flue application, it may be necessary to bend over the fixing eyes after screwing them fully into the rear of a pre-cast starter block.
- i) Uncoil the two fire fixing cables and thread one end of each of the cables through one of the two holes on each side of the flue outlet shroud.



- j) Position the fire carefully on the (protected) surface of the hearth and reach into the fire opening. Thread each of the cables vertically downwards through the pair of fixing eyes on the same side of the fire. Thread the free end of the cables through the corresponding circular hole on each side of the lower rear of the fire. Carefully slide the firebox back into the fire opening and pull both cables tight.



- k) Thread a tensioning screw over each of the cables and ensure that the tensioning nut is screwed fully up against the hexagon shoulder of the tensioning screw (this provides maximum travel for the tensioning nut).
- l) Fit a screwed nipple on to each of the cables and pull hand tight up against the tensioning screw, then secure each nipple with a flat bladed screwdriver. See below



- m) Evenly tighten the tensioning nuts to tension both cables and pull the fire snugly against the wall. Do not overtighten, it is only necessary to pull the seal up against the sealing face of the wall, it does not need to be compressed. Check that there are no gaps behind the seal.
- n) With the fire securely in place, if a concealed gas connection has been made through either of the access holes in the sides of the fire, the holes should be closed around the pipe to prevent leakage of air through the gap around the pipe.
- o) Refit the burner in the reverse order using the four M4x 6mm pozi pan screws.
- p) Refit Top Infill Panel, Pilot Heat Shield and Glass Frame as shown in section 4
- q) **Before making the final gas connection, thoroughly purge the gas supply pipework to remove all foreign matter, otherwise serious damage may be caused to the gas control valve on the fire.**

### 2.3 GAS TIGHTNESS AND BURNER PRESSURE

- a) Remove the pressure test point screw from the inlet elbow and fit a manometer.
- b) Turn on the main gas supply and carry out a gas tightness test.
- c) Depress the control knob and turn anti-clockwise to the position marked pilot. Hold in the control knob for a few seconds to purge the pipe work then press the igniter button. The burner should light, continue to hold the control knob for a few seconds then turn to the full-on position.
- d) Check that the gas pressure is **20 mbar (+/- 1.0mbar) 8 in w.g.(+/- 0.3 in w.g.)**.
- e) Turn off the fire, remove the manometer and refit the pressure test point screw. Check the pressure test point screw for gas tightness with the appliance turned on using a suitable leak detection fluid or detector.

## **SECTION 3 COMMISSIONING**

### **3.1 LIGHTING THE APPLIANCE**

#### **WARNING**

**If the fire goes out for any reason or is turned off and it is necessary to relight the fire it is important to allow the fire to cool for 3 minutes before attempting to re-light it.**

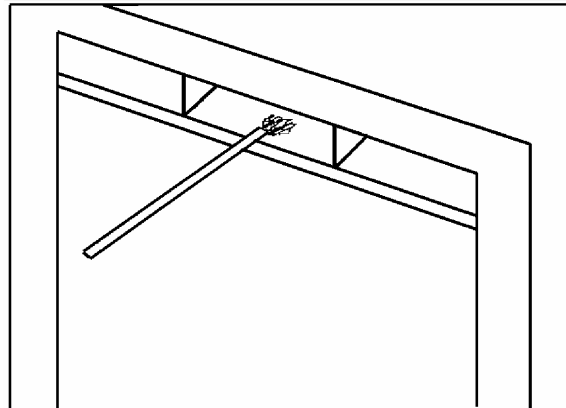
- a) Turn on the gas restrictor at the inlet fitting.
- b) Depress the control knob and turn anti-clockwise to the position marked pilot. Hold in the control knob for a few seconds to purge the pipe work.
- c) Continue to hold-in the control knob and press the igniter button. If the burner does not light, continue to press the igniter button until ignition occurs. Continue to hold the control knob for 5-10 seconds to allow thermocouple to heat up, if the pilot goes out when the control knob is released, repeat the lighting sequence.
- d) Turn the control knob in the anti-clockwise direction to the high position and the main burner will light.
- e) Turn the control knob clockwise to the low position and the gas input will be reduced to the minimum setting.
- f) Slightly depress the control knob and turn to the pilot position, the main burner will go out but the pilot will remain lit.
- g) Slightly depress the control knob and turn to the off position, the pilot will now be extinguished.
- h) After ensuring that the fire is safe to use it should be left on high position to fully warm up. During this time a slight odour may be noticed, this is due to the "newness" of the fire and will soon disappear.

### **3.2 CHECKING FOR CLEARANCE OF COMBUSTION PRODUCTS**

- a) Close all doors and windows in the room.
- b) Light the fire and allow to run for approximately 5 minutes on high position.
- c) After approximately 5 minutes using a smoke match holder, position the tip of the

smoke match 25mm inside the draft diverter, which is in the centre of the convection air aperture. All smoke generated should be drawn back into the flue. If slight spillage occurs or if in doubt, repeat the test after a further 5-10 minutes.

Smoke match position.



- d) If spillage persists, the flue is not functioning correctly and a fault exists. If, after investigation the fault cannot be traced and rectified, the fire must be disconnected from the gas supply and expert advice obtained.
- e) If there is an extractor fan fitted anywhere in the vicinity of the appliance, the spillage test should be repeated with the fan running on maximum and all interconnecting doors open.
- f) After ensuring that the fire is safe to use it should be left on high position to fully warm up. During this time a slight odour may be noticed, this is due to the “newness” of the fire and will soon disappear.

# SECTION 4

## MAINTENANCE

### Servicing Notes

- Servicing should be carried out annually by a competent person such as a CORGI registered engineer. **This is a condition of the Flavel guarantee schemes.**
- The service should include visually checking the chimney and fire opening for accumulations of debris and a smoke test to check for a positive up-draught in the chimney.
- The burner assembly is designed to be removed as a complete unit for ease of access. **After any servicing work a gas tightness check must always be carried out.**
- We recommend that during the annual service, replacement of the pilot is carried out. **The pilot must be changed as a condition of the extended guarantee.**

#### 4.1 REMOVING THE BURNER ASSEMBLY FROM THE FIRE.

- a) Remove Ashpan, Fret assembly & Contemporary Trim from the front of the fire.
- b) Isolate the gas supply and remove the inlet pipe from the appliance inlet elbow
- c) Remove the glass frame, then remove the 2 off fixing screws which hold the pilot shield in place.
- d) Unscrew and remove the four screws which retain the burner. Carefully pull forwards the burner/control assembly and remove from fire box
- e) Refit in the reverse order and carry out a gas tightness test.

#### 4.2 REMOVING THE PIEZO IGNITER

- a) Remove burner as described in section 4.1 Disconnect the ignition lead from the piezo and unscrew the retaining nut on the rear of the control panel. Withdraw the piezo from the front of the control panel. Reassemble in reverse order and carry out a gas tightness test.

#### 4.3 REMOVING THE CONTROL VALVE FROM THE FIRE.

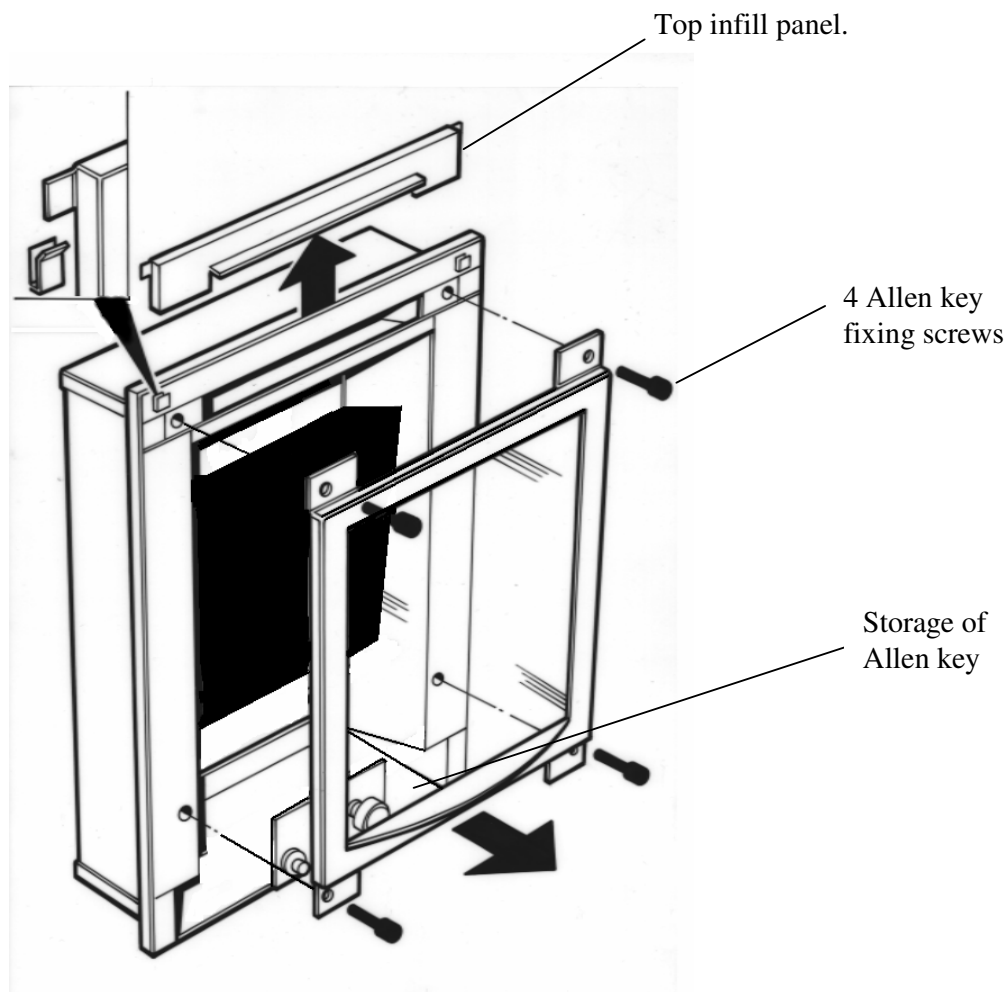
- a) Remove the burner assembly as in section 4.1.
- b) Pull the control knob off the control tap spindle.
- c) Loosen and remove the three gas pipe retaining nuts from the control tap and release the ends of the gas pipes from the control tap body. Loosen and remove the thermocouple securing nut from the end of the control tap.
- d) Unscrew the control tap locknut from the front of the control panel and remove the control tap.
- e) To refit a control tap, reassemble in reverse order noting that the control tap locates with a flat in the control panel. Carry out a gas tightness test after reassembly.

#### 4.4 REMOVING THE OXY-PILOT ASSEMBLY

**Note:** Because this appliance is fitted with an atmosphere sensing 'Oxy-Pilot' it is not possible to replace the thermocouple separately, because the thermocouple position is factory set to a tight tolerance. Any replacement of parts on the pilot requires a complete new pilot assembly.

- a) Remove the burner assembly as in section 4.1
- b) Unscrew and remove the thermocouple retaining nut from the end of the control tap and disconnect the ignition lead from the pilot electrode.
- c) Unscrew pilot tube nut and disconnect pilot pipe.
- d) Unscrew and remove the two pozi-drive screws which secure the pilot assembly to the burner. Remove the pilot.
- e) Reassemble in reverse order and carry out a gas tightness test.

#### 4.5 REMOVING & REFITTING OF THE GLASS FRAME.



- a) Remove the 2 screws which hold the pilot shield in place.
- b) Remove the top infill panel by sliding it upwards out of the clips.

- c) With the allen key provided remove the 4 allen bolts, loosening each one a small amount at a time to prevent stressing the glass panel, then lift the glass frame clear.
- d) Refit the glass panel to the fire in reverse order, again tightening each Allen bolt a small amount at a time to prevent stressing the glass panel.
- e) Fit the Allen key to the bracket which is situated at the bottom right hand corner of the firebox, and advise the customer of the position of the Allen key.

#### 4.6 CLEANING

**WARNING – BEFORE ATTEMPTING TO CLEAN THE FIRE ENSURE THAT THE FIRE HAS BEEN ALLOWED TO FULLY COOL**

##### **CLEANING THE STAINLESS AND PAINTED METAL PARTS.**

The trim fitted to this appliance is stainless steel, and must only be cleaned with a clean, damp cloth. Black painted metal parts should be gently cleaned with a damp cloth.

**Abrasive cleaners, chemical cleaning agents or any type of polish must never be used as damage to the paint may result.**

##### CLEANING THE GLASS PANEL

To clean the glass panel, first ensure that the fire is cool, **please note that the glass panel will remain hot for a considerable period when the fire has been switched off.**

To remove the glass panel, follow the instructions on page15 for removal and re-fitting.

The glass panel should be cleaned gently with a soft damp cloth and glass cleaner.

**DO NOT UNDER ANY CIRCUMSTANCES ATTEMPT TO CLEAN THE GLASS PANEL WHEN THE APPLIANCE IS RUNNING.**

**FOLLOWING CLEANING OF THE GLASS PANEL, ALWAYS ENSURE THAT THE ALLEN KEY IS REMOVED FROM THE ALLEN BOLTS AND REPLACED INTO ITS LOCATION AT THE BOTTOM LEFT HAND SIDE OF THE FIREBOX.**

Finally, hand the Installation and Maintenance Instructions and the Users Instructions over to the customer and explain the operation of the fire.



## REPLACEABLE PARTS

Replacement of any parts must be carried out by a competent person such as a CORGI registered gas installer.

Pilot Assembly	B-38930
Gas Valve	B-104660

**Due to our policy of continual improvement and development the exact accuracy of illustrations and descriptions contained in this book cannot be guaranteed**

**Part No. B-109050  
Issue 1**



**BFM Europe Ltd.**  
Trentham Lakes  
Stoke-on-Trent  
Staffordshire  
ST4 4TJ

[www.bfm-europe.com](http://www.bfm-europe.com)

Telephone 01782 339000  
Telephone (Service (08700) 101187