

Instat Wireless Connection Strips For Underfloor Heating Systems



The Instat wireless connection strips link room thermostats to the thermal actuators using proven radio technology. This facilitates independent temperature control of each zone.

- **Easy to install and commission**
- **For use with wireless room thermostats such as the Instat 868**
- **Multiple versions to meet the complexity of any system**

Technical Data

Type	INSTAT 868-a4	INSTAT 868-a6	INSTAT 868-a8U
Part Number	0536 40 140 033	0536 60 140 033	0536 80 140 033
Number of zones	4	6	8
Operating voltage	230 V AC 50/60 Hz	230 V AC 50/60 Hz	230 V AC 50/60 Hz
Power consumption	3 VA	3 VA	4 VA
Ambient temperature	0 - 50°C	0 - 50°C	0 - 50°C
Switch type and rating	4 change-over 8(2) A 230 V AC	6 change-over 8(2) A 230 V AC	7 normally open 1 change-over 4(2) A 230 V AC
Number of actuators	max. 10 per channel	max. 10 per channel	max. 10 per channel
Signal frequency	868 MHz	868 MHz	868 MHz
Aerial	internal	internal	internal
Protection class of housing	IP 40/ insulated	IP 40/ insulated	IP / insulated
Dimensions	372 x 57 x 52 mm	450 x 57 x 52 mm	310 x 90 x 65 mm

Instat wireless connection strips

Features

- No wiring between room thermostats and connecting strip
- Minimal disturbance to decorations
- Proven radio technology
- Ideal for providing additional zone control
- Supplied with fitted plug

Instat 868-a4 / -a6

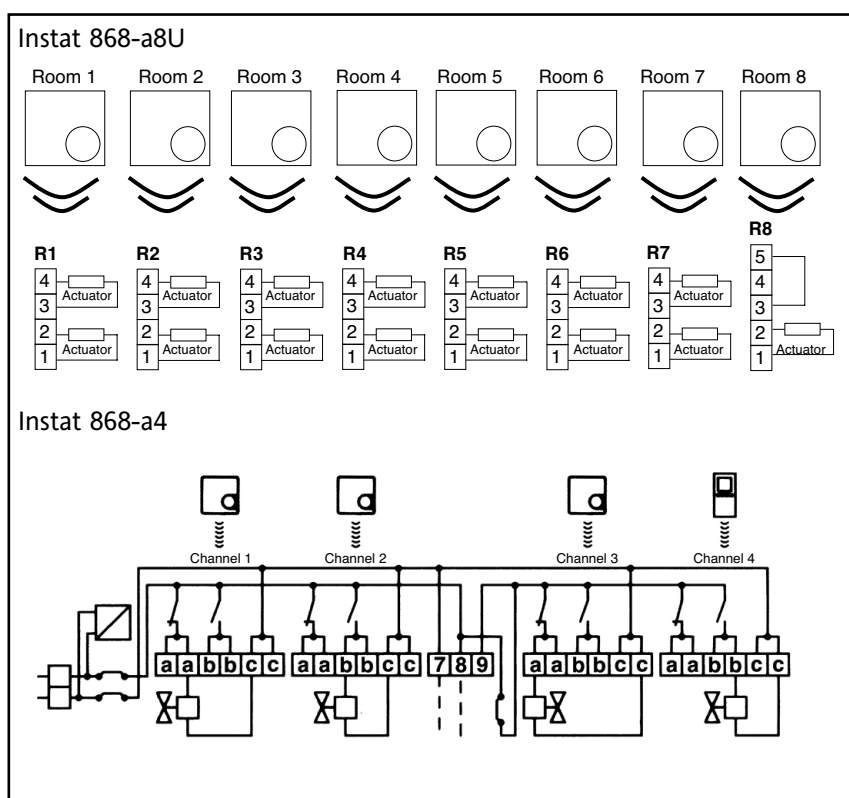
- 4 or 6 channel receiver device for Instat 868-r and Instat 868-r1 room thermostats
- Pump logic and protection (one output used)
- LED indicator for each channel

Additional features with

Instat 868-a8U 8 channel programmable receiver with clock

- For independent timed control of up to 8 zones using Instat 868-r room thermostats
- Pump logic and protection (one output used)
- Real-time clock
- Backlit display
- Automatic summer/winter time
- Holiday function
- Party function
- 3 temperature levels
- Up to 6 time/temp pairs per day

Application examples



invensys[™]
Controls

Customer Service Tel: 0845 130 5522
Customer Service Fax: 0845 130 0622
Technical Helpline Tel: 0845 130 7722
Email: customer.care@invenys.com
Website: www.draytoncontrols.co.uk

Available from:

CE

D79-2